



US00D744875S

(12) **United States Design Patent**
Repp

(10) **Patent No.:** **US D744,875 S**
(45) **Date of Patent:** **** Dec. 8, 2015**

- (54) **TEMPERATURE DISPLAY DEVICE**
- (71) Applicant: **iDevices, LLC**, Avon, CT (US)
- (72) Inventor: **Timothy C. Repp**, Barkhamsted, CT (US)
- (73) Assignee: **iDevices, LLC**, Avon, CT (US)
- (**) Term: **14 Years**
- (21) Appl. No.: **29/508,287**
- (22) Filed: **Nov. 4, 2014**
- (51) **LOC (10) Cl.** **10-04**
- (52) **U.S. Cl.**
USPC **D10/57**
- (58) **Field of Classification Search**
USPC D10/57-58, 60, 103; 374/120-152,
374/170-171, 208
CPC G01J 5/00-2005/626; G01K 1/00-1/26;
G01K 3/00-2003/145; G01K 5/00-5/72;
G01K 7/00-7/427; G01K 9/00; G01K
11/00-2011/324; G01K 13/00-13/125; G01K
15/00-15/007
See application file for complete search history.

8,931,400 B1 1/2015 Allen
D724,448 S * 3/2015 Lee D10/50
D725,285 S * 3/2015 Wohlstadter et al. D24/216

(Continued)

OTHER PUBLICATIONS

Brookstone, Grill Alert™. Talking Remote Meat Thermometer Instructions, Mar. 18, 2005.

(Continued)

Primary Examiner — Antoine D Davis

(74) *Attorney, Agent, or Firm* — McCarter & English, LLP

(57) **CLAIM**

The ornamental design for a temperature display device, as shown and described.

DESCRIPTION

FIG. 1 is a right perspective view of a first embodiment of a temperature display device showing the present invention; FIG. 2 is a front elevational view thereof; FIG. 3 is a rear elevational view thereof; FIG. 4 is a left side elevational view thereof; and FIG. 5 is a right side elevational view thereof. FIG. 6 is a top plan view thereof; and FIG. 7 is a bottom plan view thereof. FIG. 8 is a right perspective view of a second embodiment of a temperature display device showing the present invention; FIG. 9 is a front elevational view thereof; FIG. 10 is a rear elevational view thereof; FIG. 11 is a left side elevational view thereof; and FIG. 12 is a right side elevational view thereof. FIG. 13 is a top plan view thereof; and, FIG. 14 is a bottom plan view thereof.

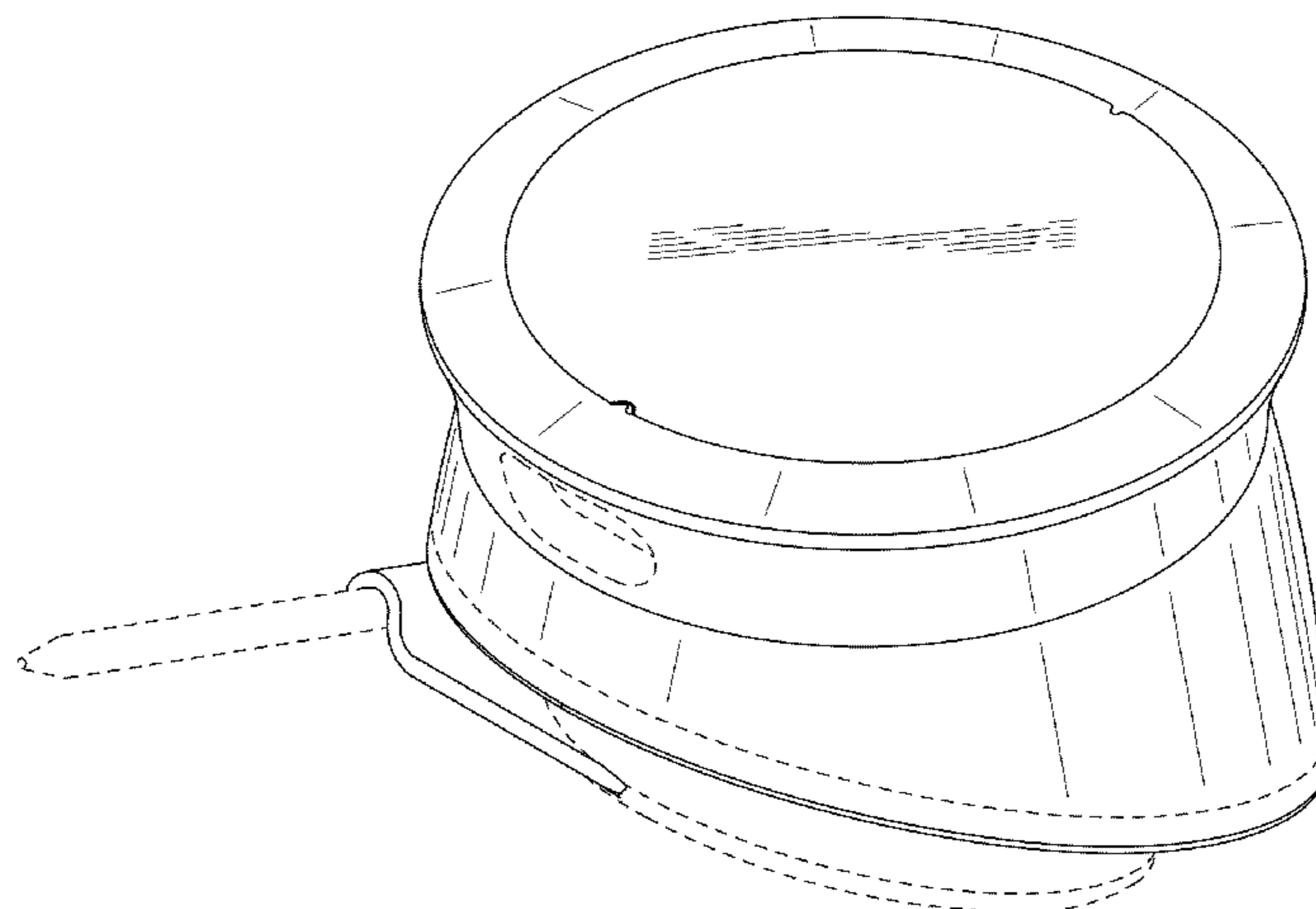
The broken lines in the figures show structure or boundaries that form no part of the claimed design, but rather show the environment in which the design is associated, or show portions of the article in which the design is embodied or applied that are not considered part of the claimed design.

1 Claim, 14 Drawing Sheets

(56) **References Cited**

U.S. PATENT DOCUMENTS

5,746,114	A	5/1998	Harris	
6,046,674	A	4/2000	Irwin et al.	
6,080,972	A	6/2000	May	
6,539,842	B1	4/2003	Chapman et al.	
6,712,505	B2	3/2004	Chapman et al.	
6,811,308	B2	11/2004	Chapman et al.	
6,850,861	B1	2/2005	Faiola et al.	
7,066,644	B2 *	6/2006	Padgett	374/208
7,128,466	B2	10/2006	Chang et al.	
7,201,099	B2	4/2007	Harris, Jr. et al.	
D565,438	S *	4/2008	Serre	D10/57
7,372,368	B2	5/2008	Chapman et al.	
7,703,389	B2	4/2010	McLemore et al.	
D666,929	S *	9/2012	Tyler	D10/57



(56)

References Cited

U.S. PATENT DOCUMENTS

2003/0202558 A1 10/2003 Chung et al.
2010/0303972 A1 12/2010 Srivastava

OTHER PUBLICATIONS

Weber Style™ Digital Thermometer(available prior to May 28,
2009) [Http://stor.weber.com/items/WeberStyle/Detail.aspx?pid=1131.](http://stor.weber.com/items/WeberStyle/Detail.aspx?pid=1131)

* cited by examiner

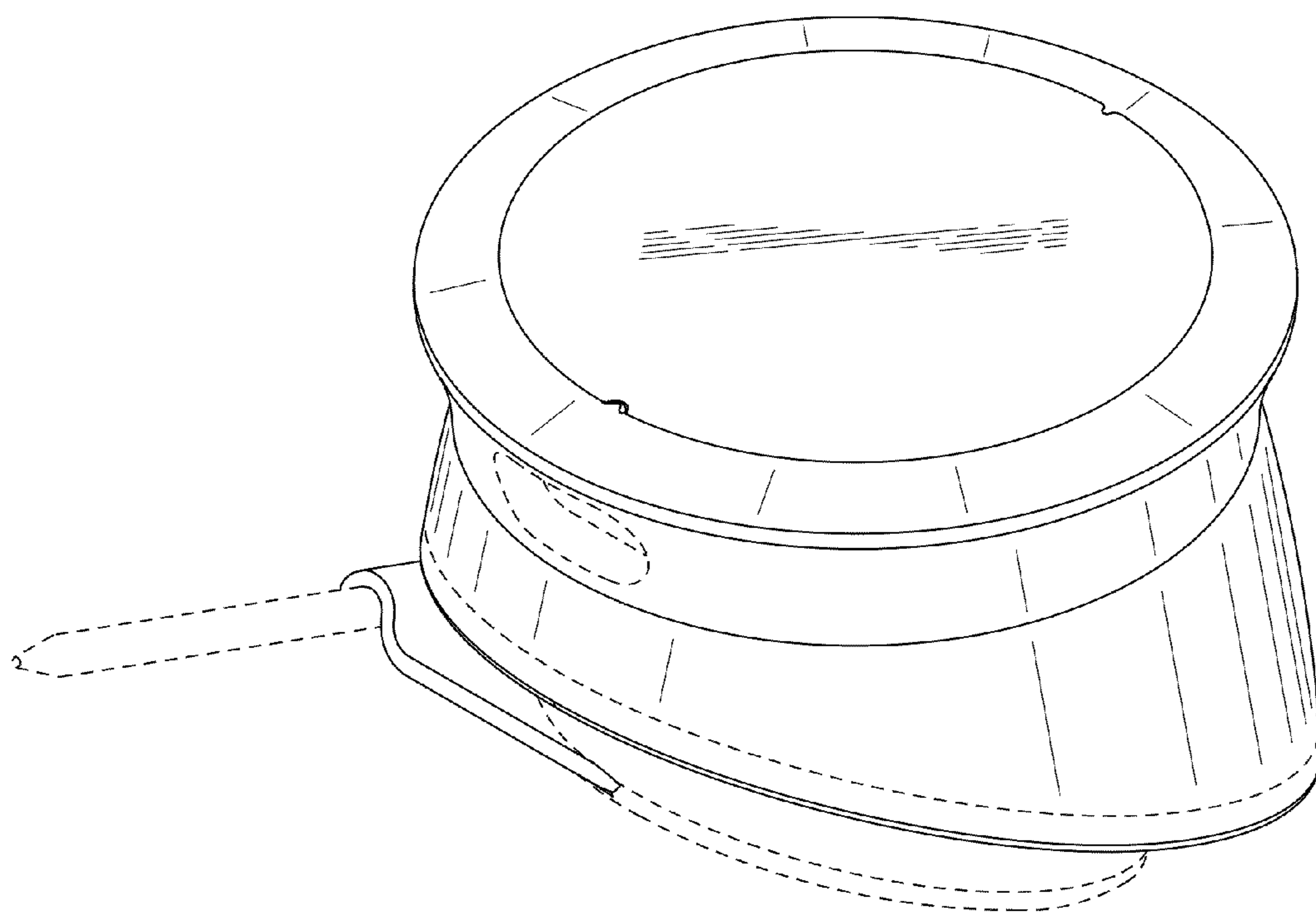


FIG. 1

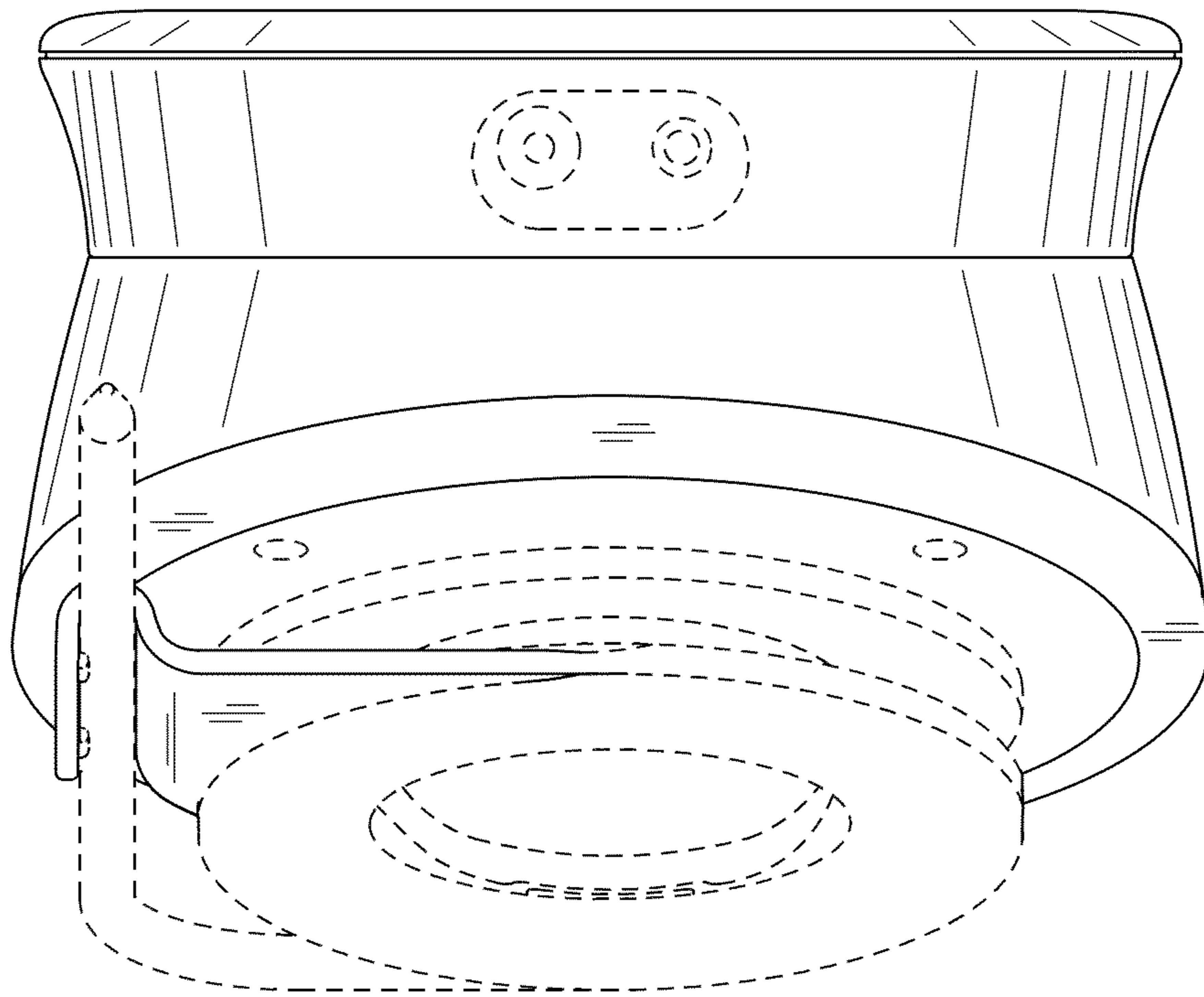


FIG. 2

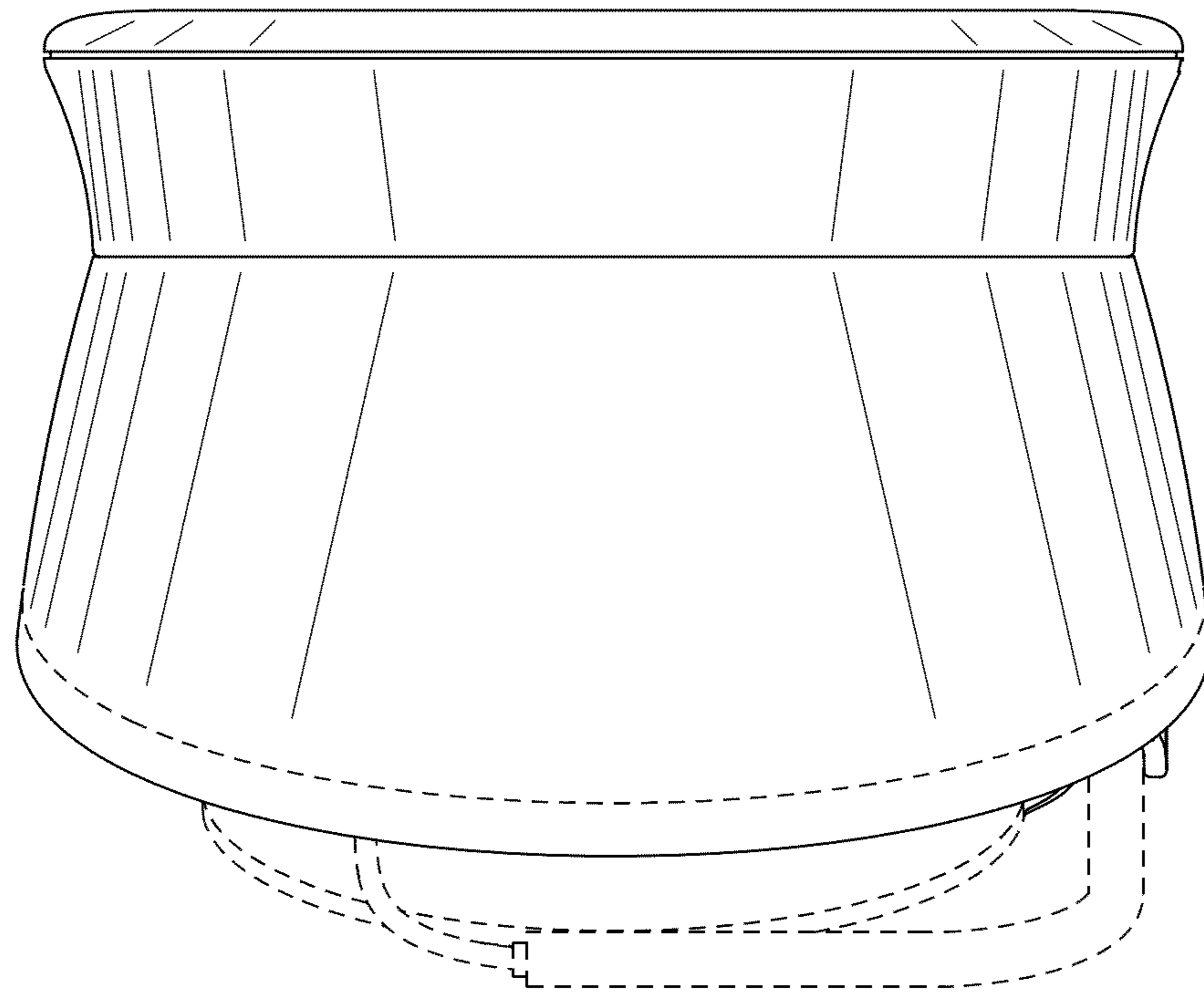


FIG. 3

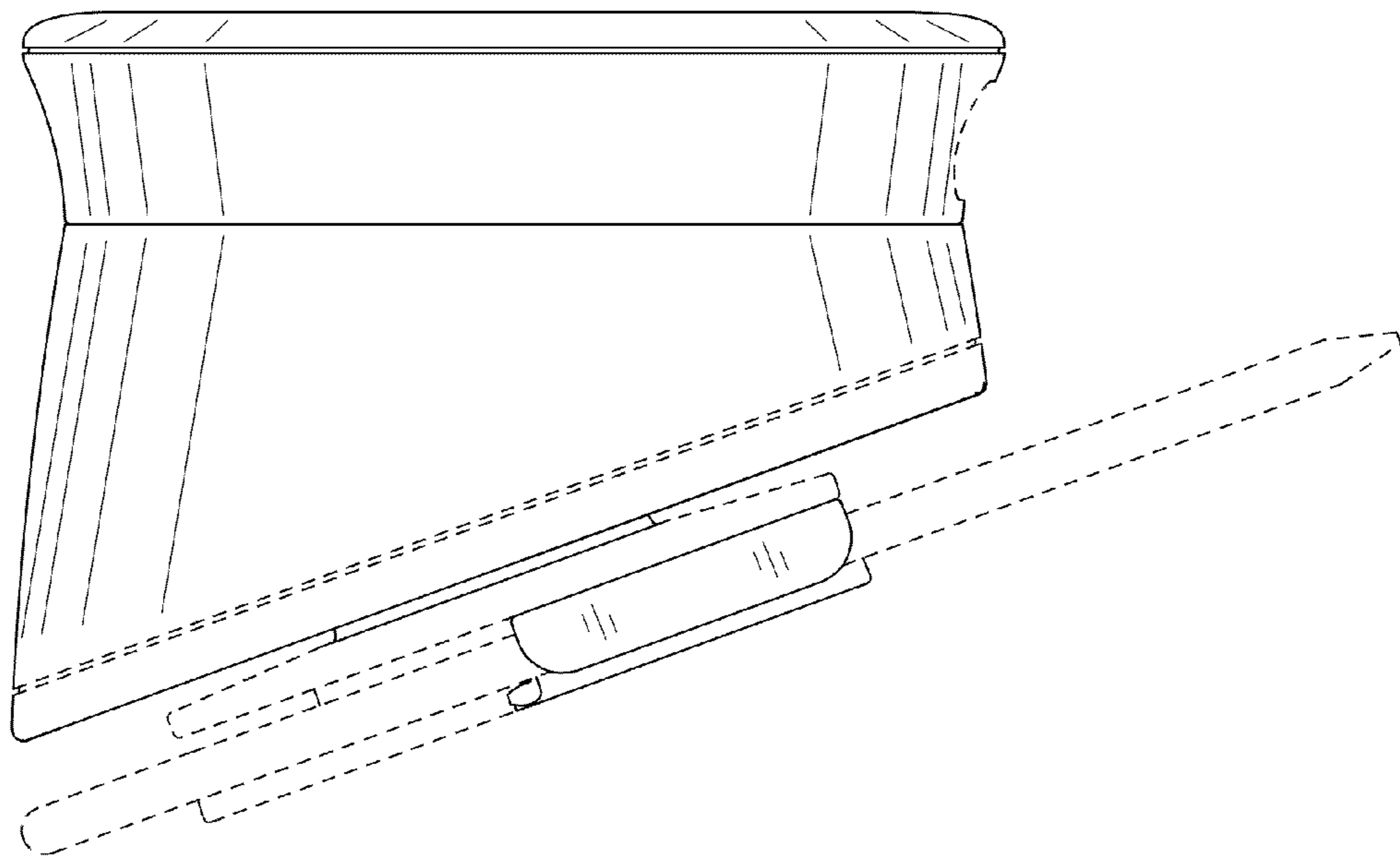


FIG. 4

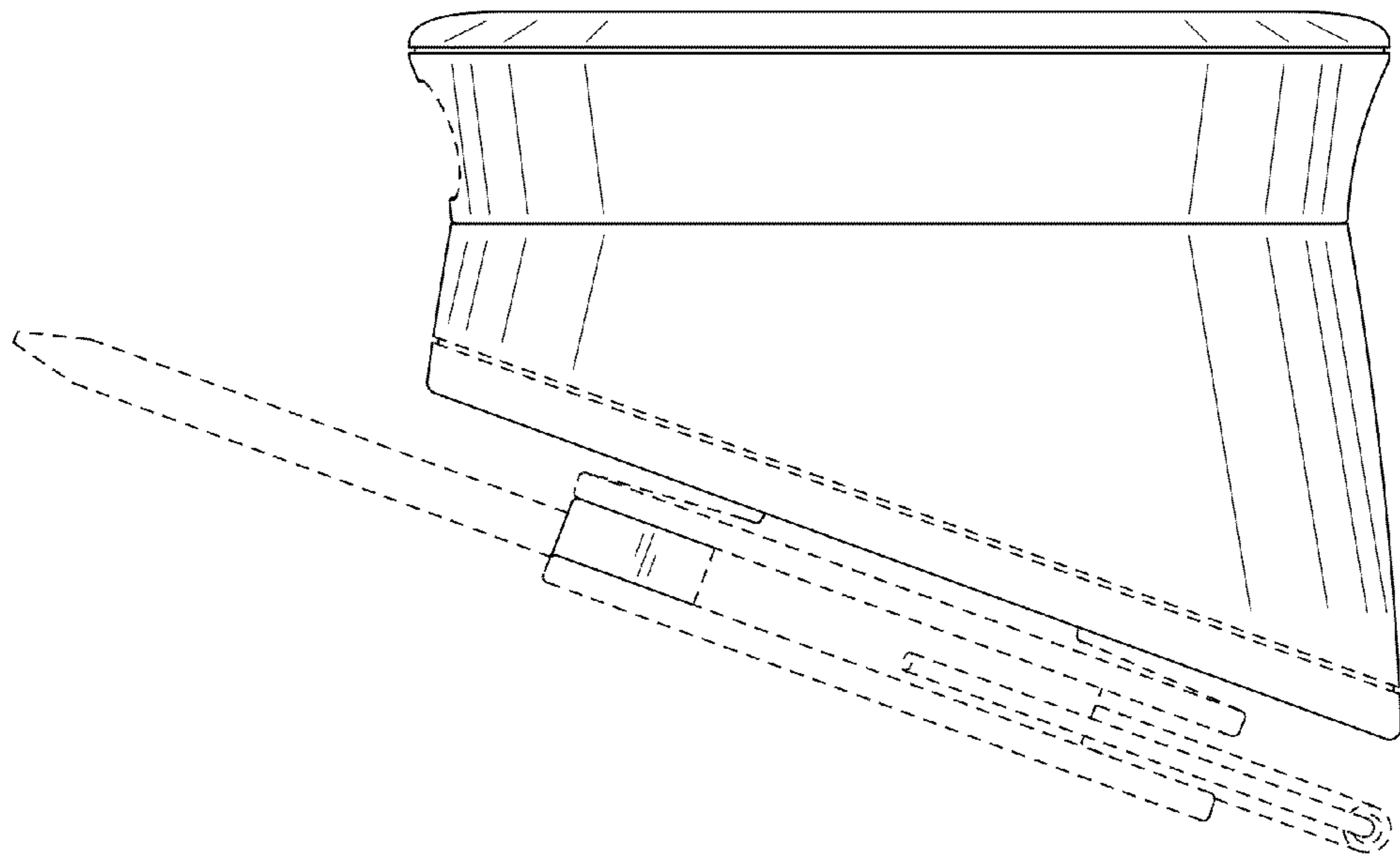


FIG. 5

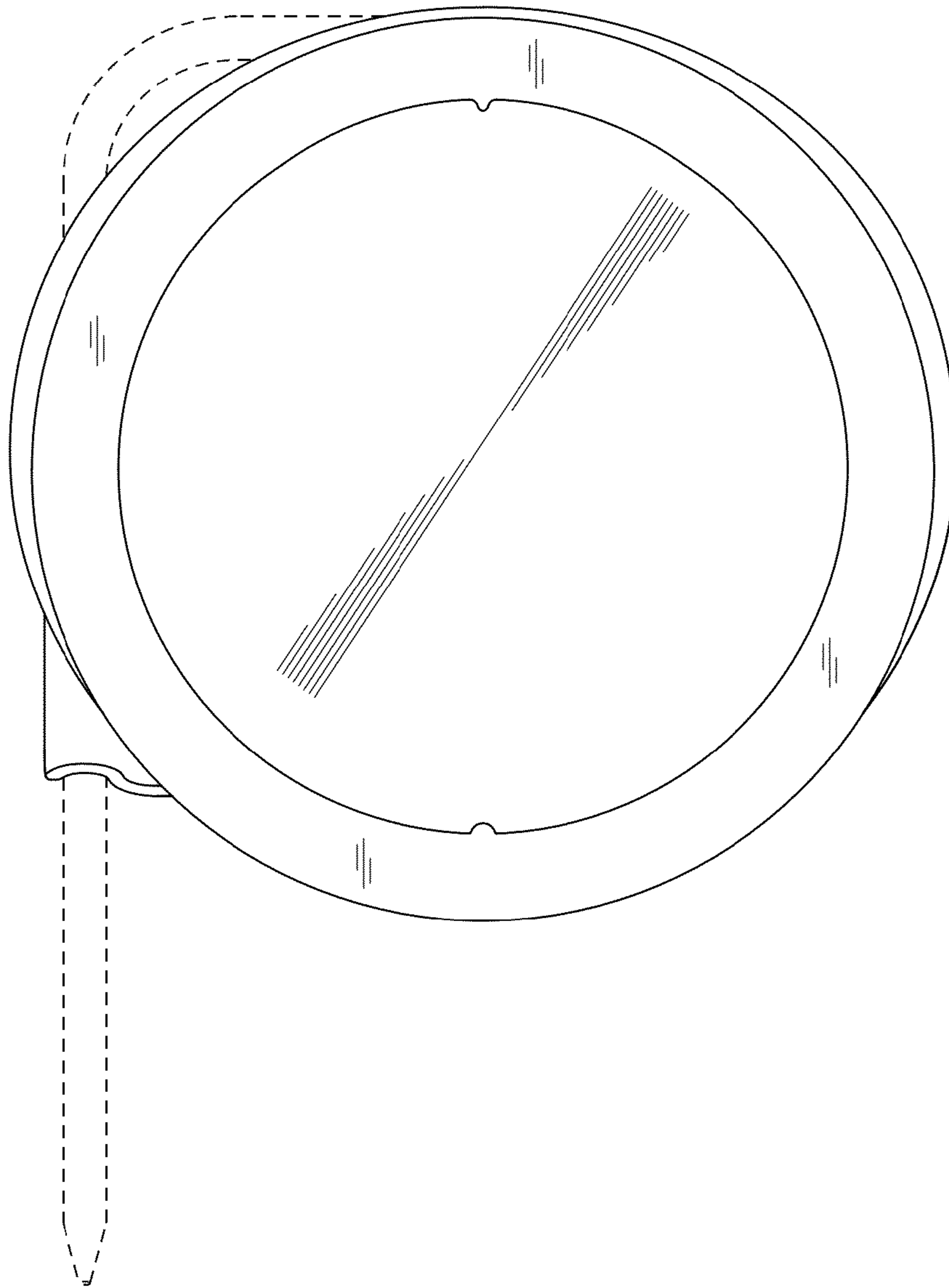


FIG. 6

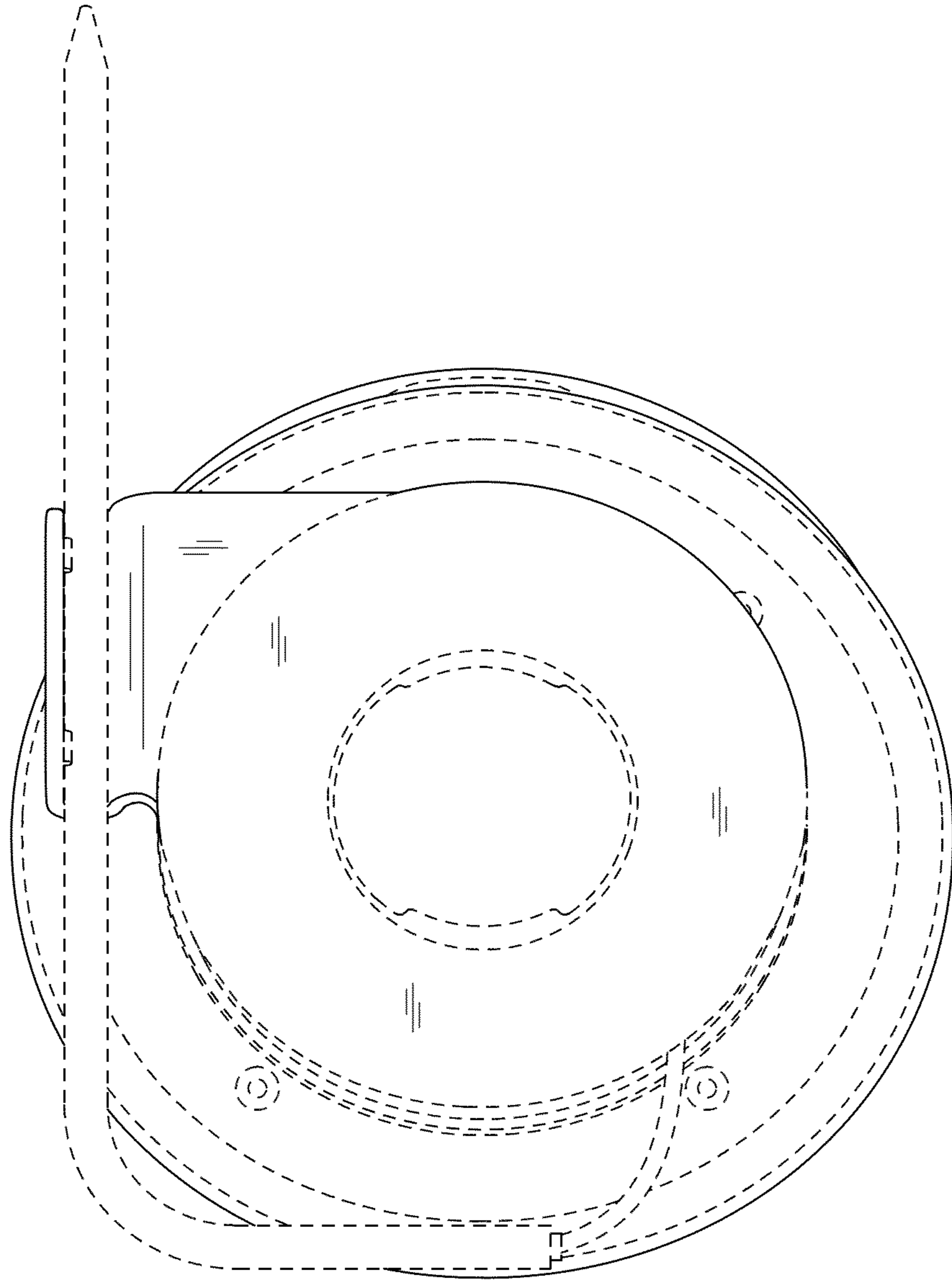


FIG. 7

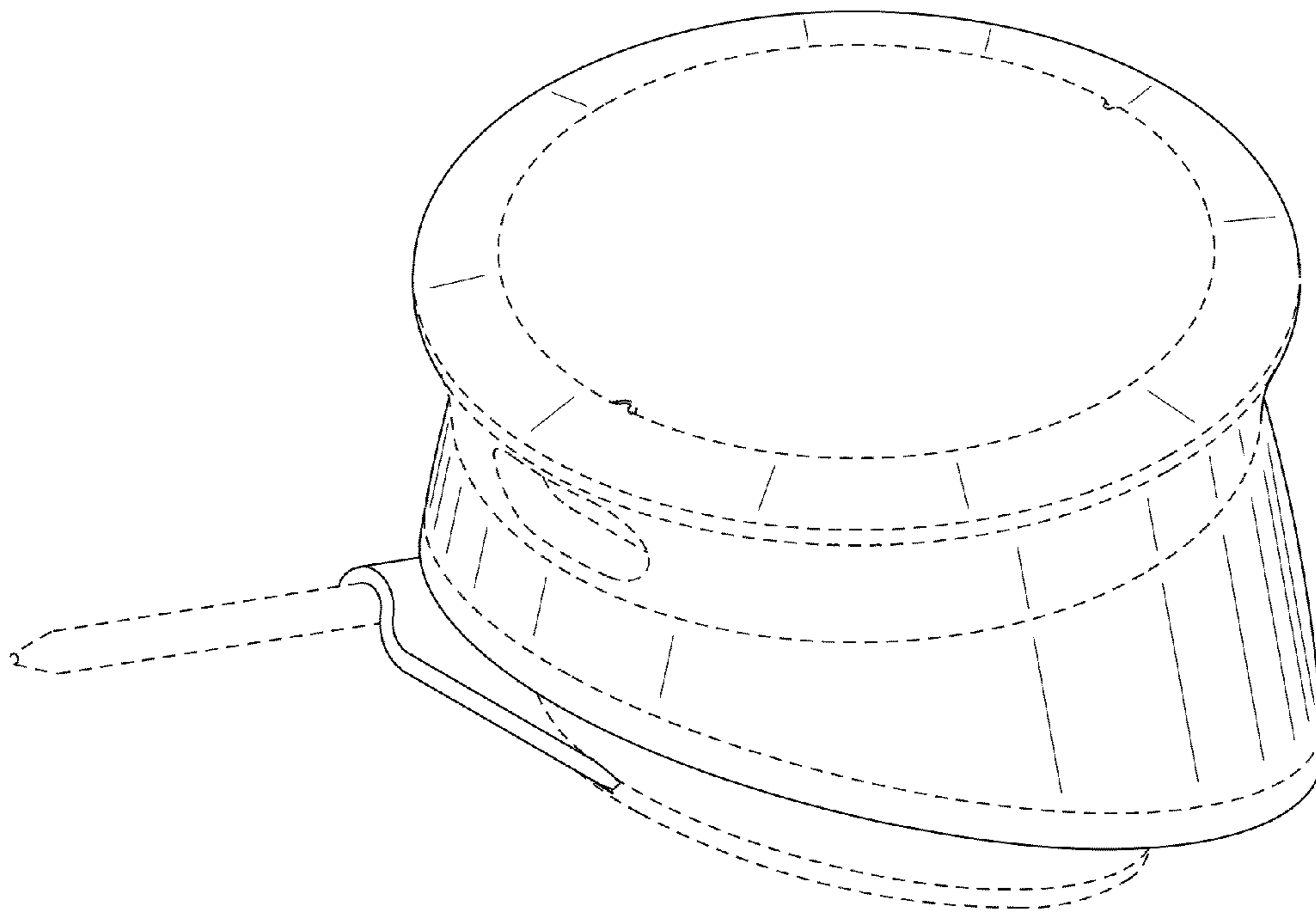


FIG. 8

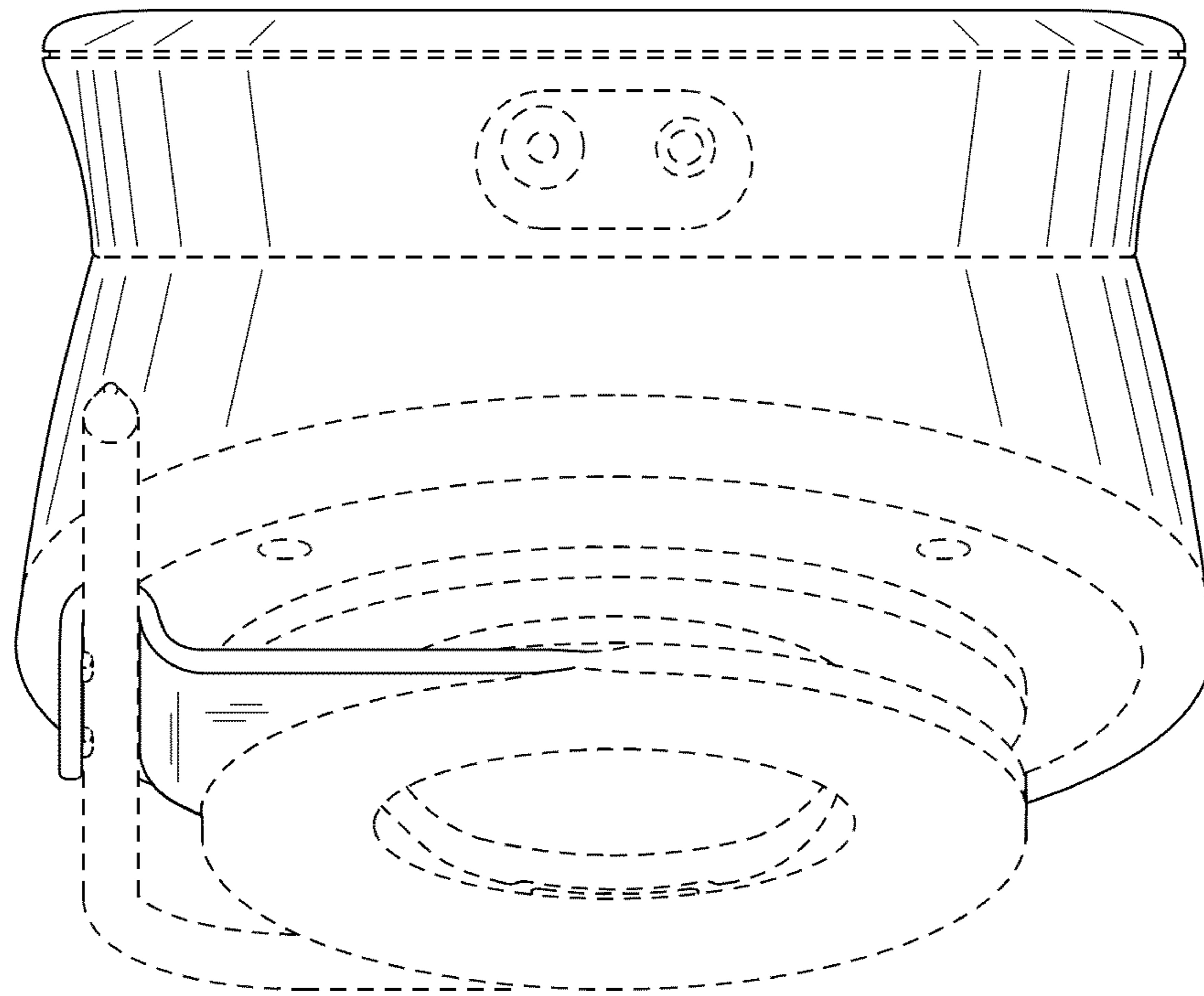


FIG. 9

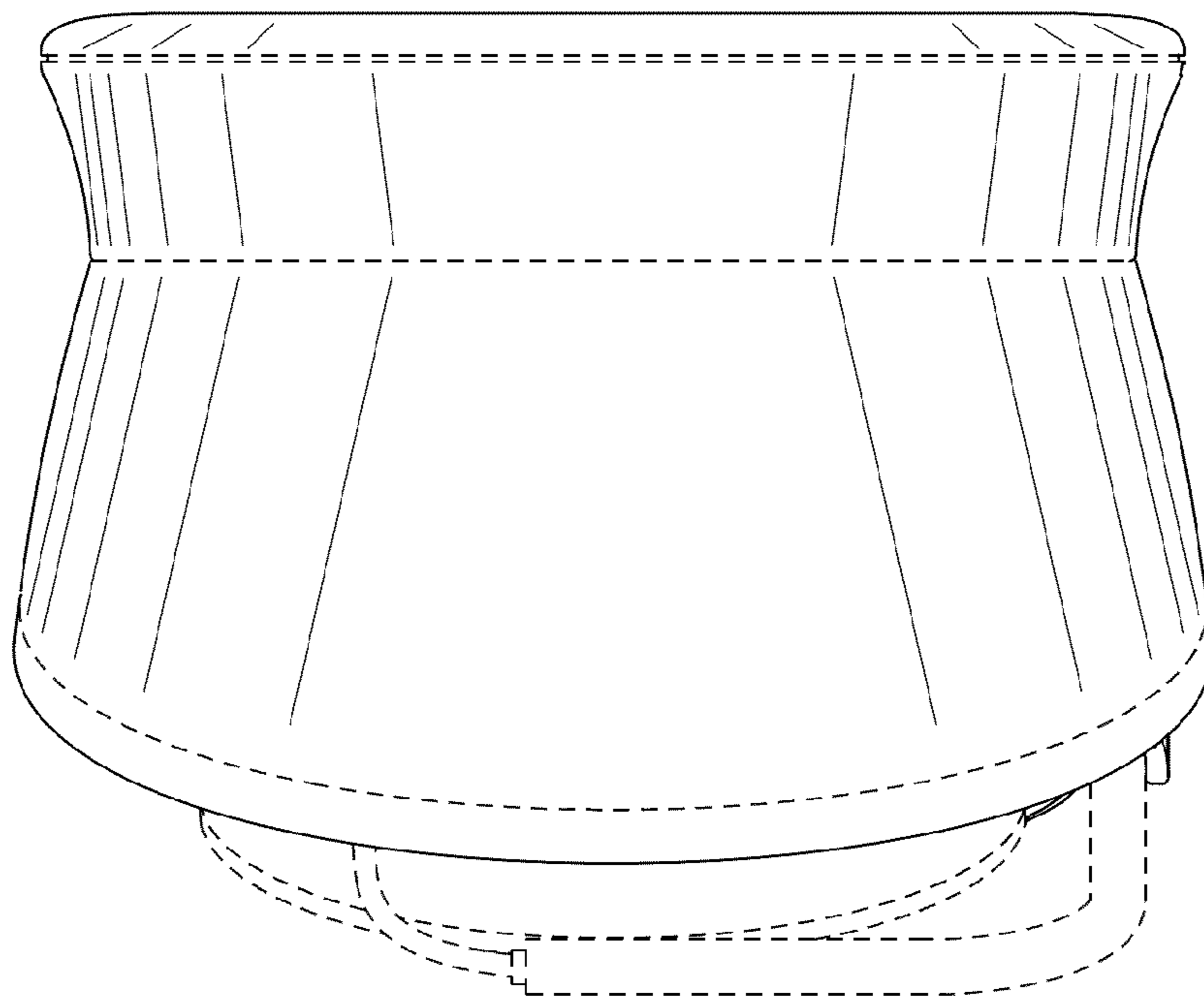


FIG. 10

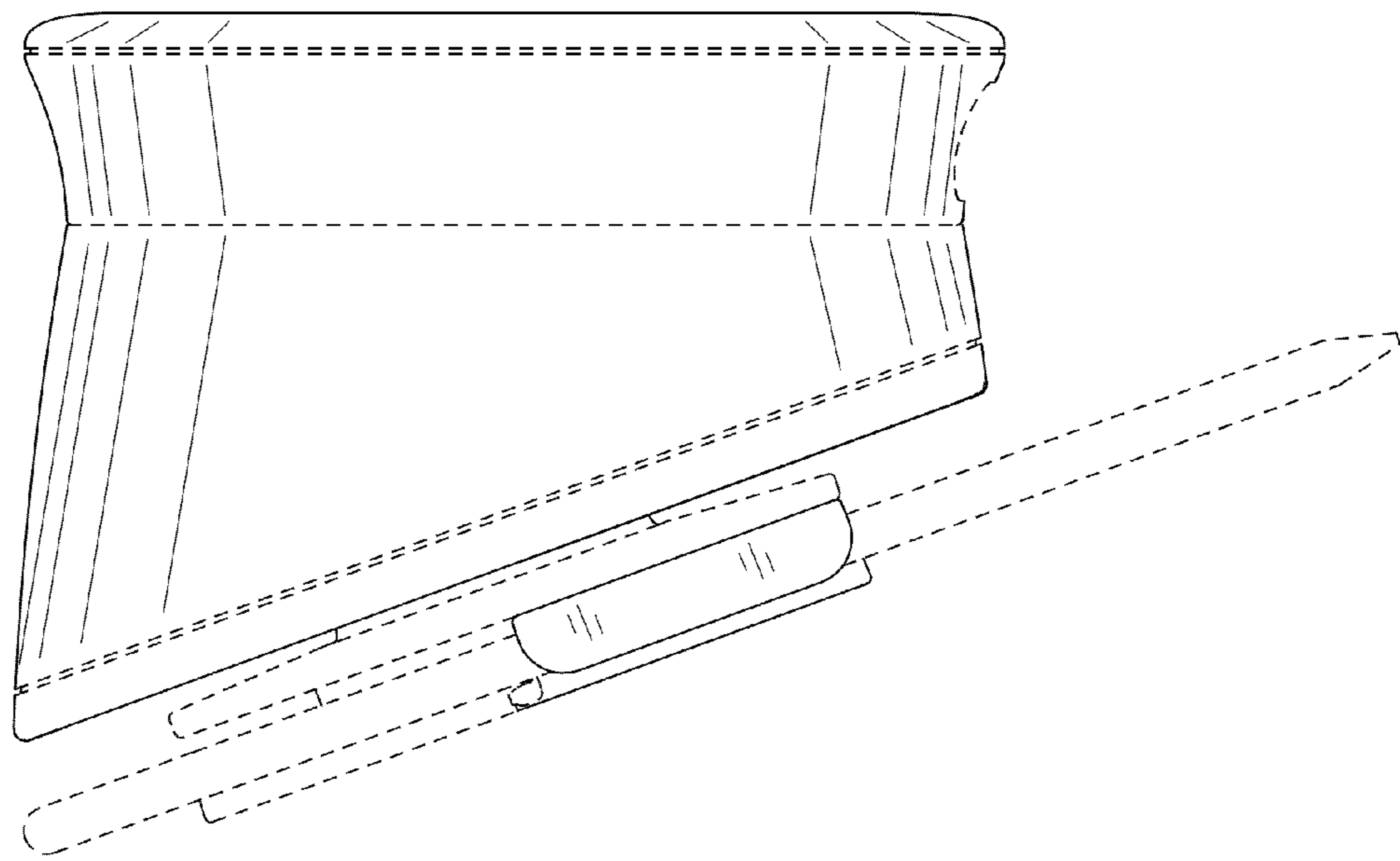


FIG. 11

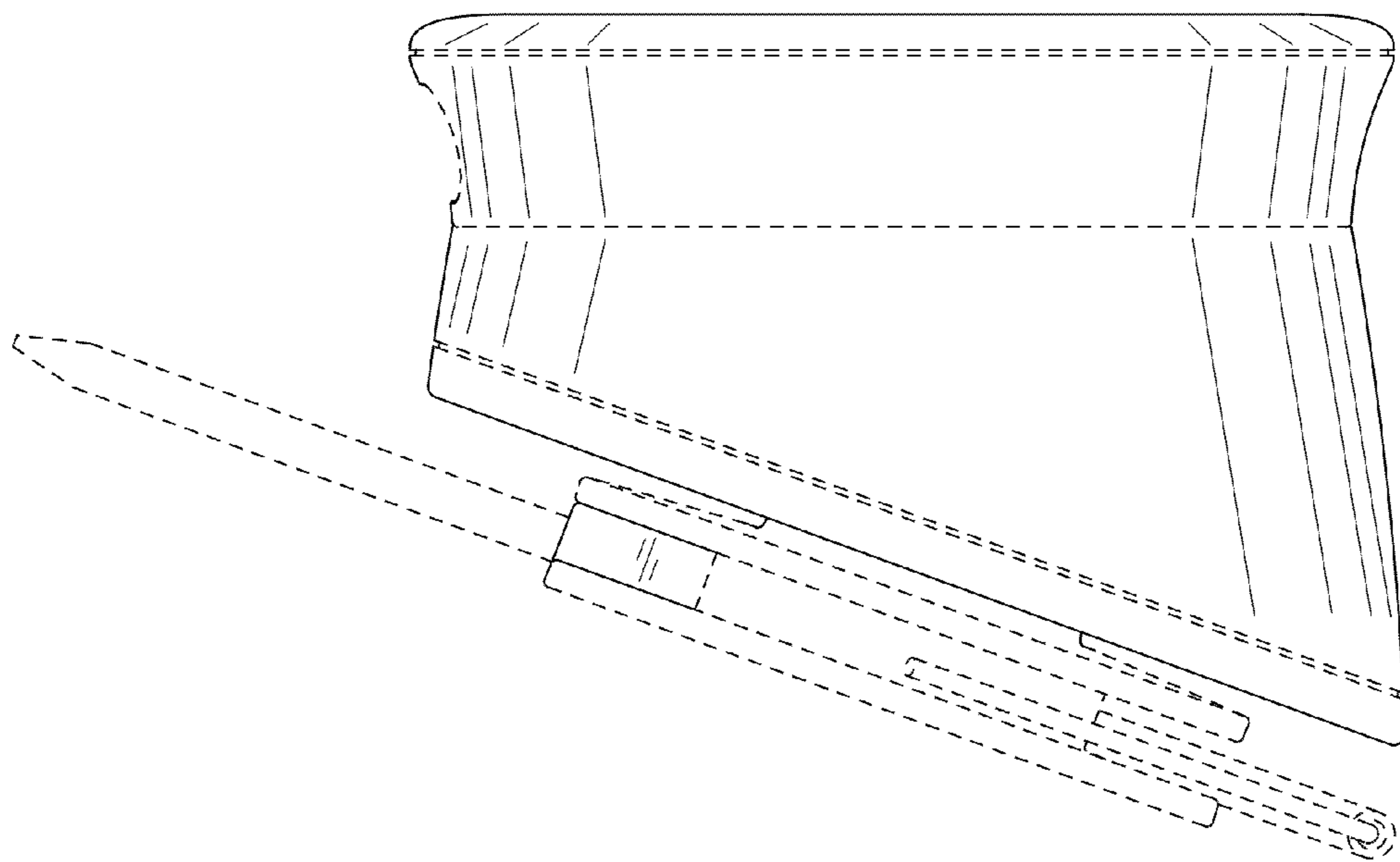


FIG. 12

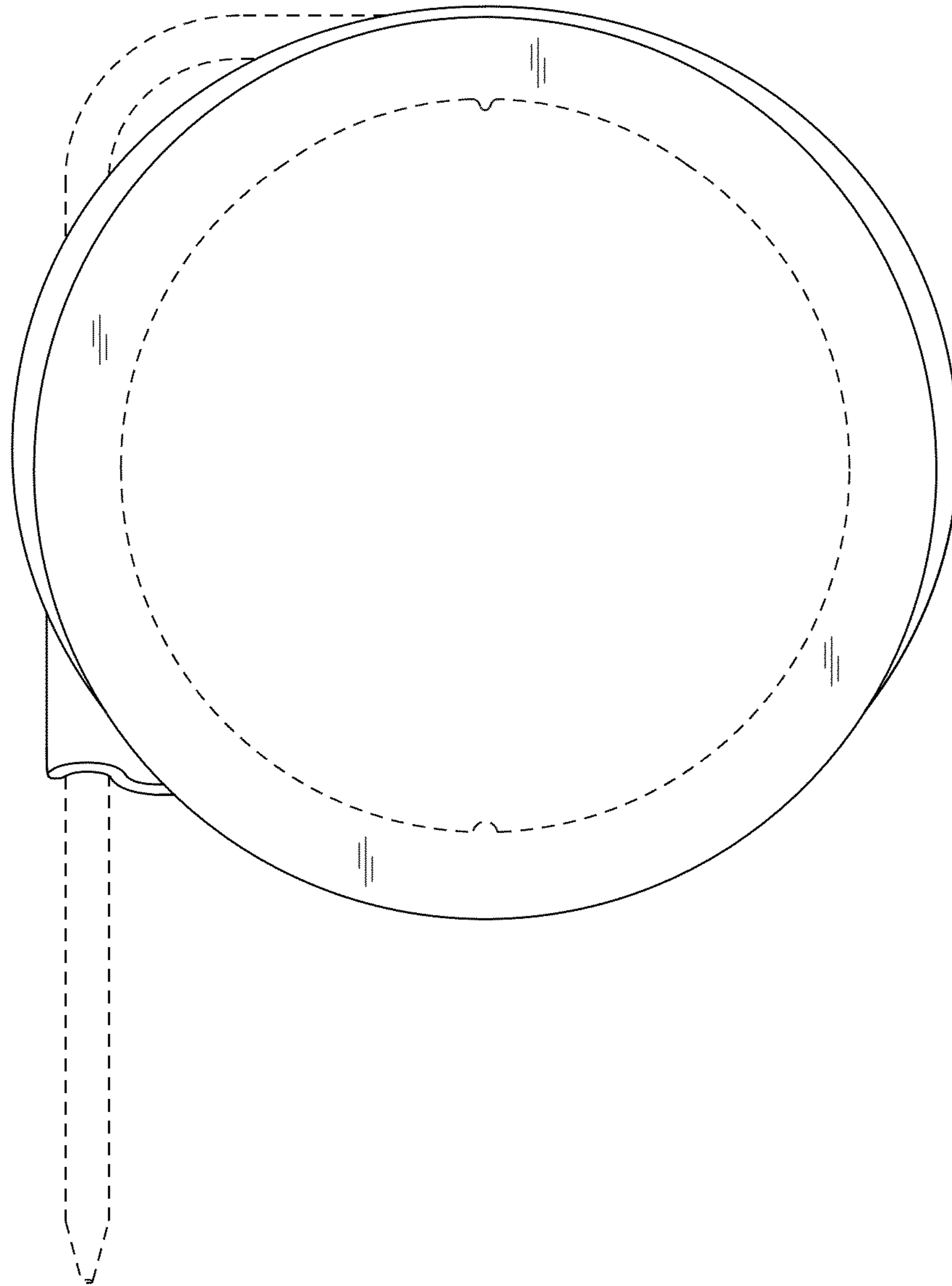


FIG. 13

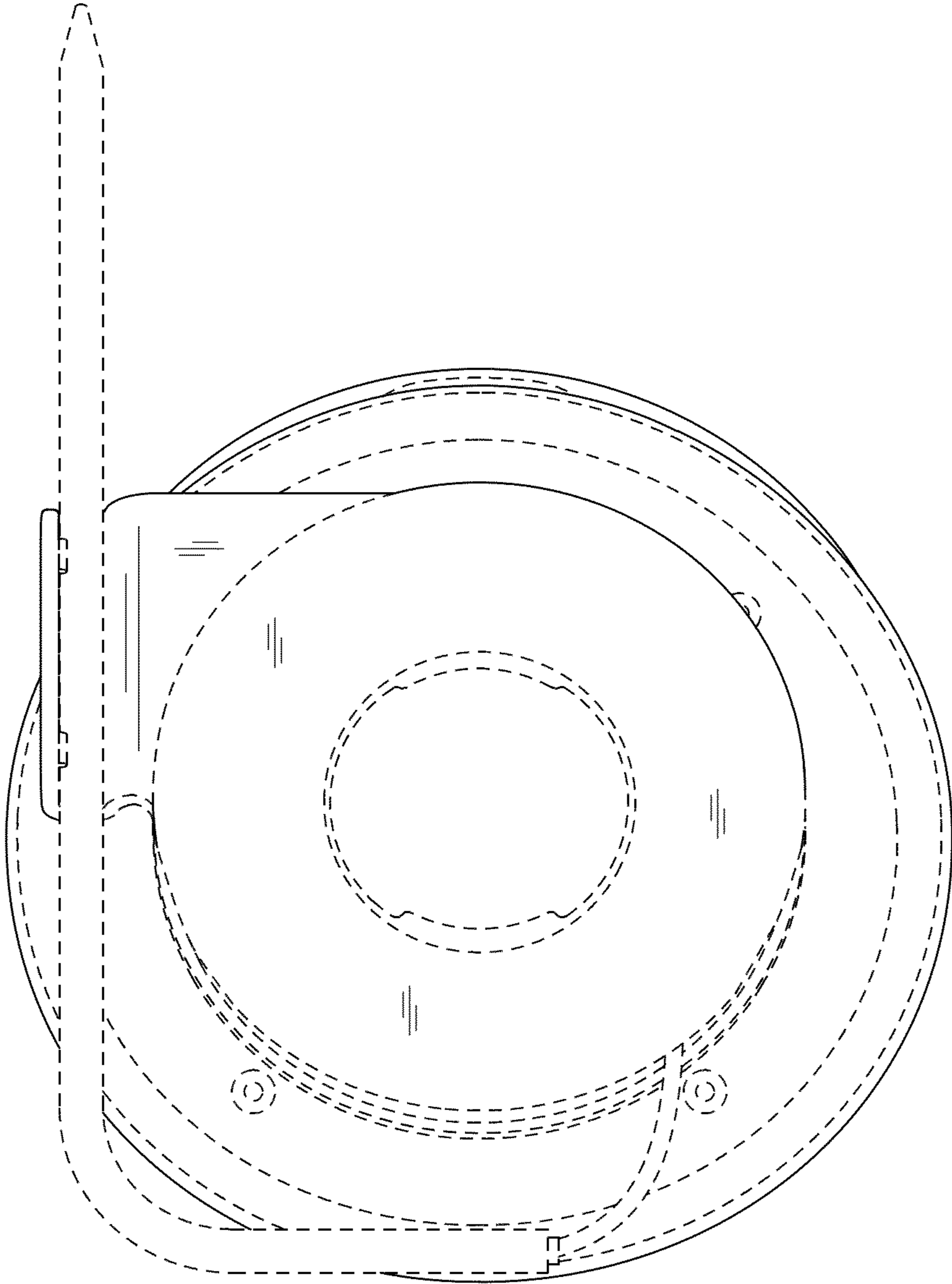


FIG. 14