



US00D744873S

(12) **United States Design Patent**
Gaberan

(10) **Patent No.:** **US D744,873 S**
(45) **Date of Patent:** **** Dec. 8, 2015**

(54) **HANDHELD TIMER**

(71) Applicant: **RF Conception**, Saverne (FR)

(72) Inventor: **Thomas Gaberan**, Saverne (FR)

(73) Assignee: **RF Conception**, Saverne (FR)

(**) Term: **14 Years**

(21) Appl. No.: **29/489,101**

(22) Filed: **Apr. 25, 2014**

(30) **Foreign Application Priority Data**

Oct. 29, 2013 (EM) 20134645-001

(51) **LOC (10) CL.** **10-03**

(52) **U.S. CL.**
USPC **D10/40**

(58) **Field of Classification Search**
USPC D10/40; D13/168; D14/155
CPC G04B 45/00; G04B 45/0069; G04F 1/00;
G04F 1/005; G04F 3/00; G04F 3/06; G04F
8/00

See application file for complete search history.

(56) **References Cited**

U.S. PATENT DOCUMENTS

4,082,302 A * 4/1978 Albrecht 280/816
4,111,444 A * 9/1978 Clements, Jr. 280/816
D266,501 S * 10/1982 Stefanik D13/168
4,492,479 A * 1/1985 Hatsuse et al. 368/109
D281,675 S * 12/1985 Rapp et al. D10/40
4,762,340 A * 8/1988 Addison, Jr. 280/816
D316,678 S * 5/1991 Koziol D10/40

D319,592 S * 9/1991 Inora D10/40
D319,593 S * 9/1991 Inora D10/40
D320,752 S * 10/1991 Koziol D10/40
D322,941 S * 1/1992 Pacificar D10/15
5,224,700 A * 7/1993 Rosen 473/408
D439,170 S 3/2001 Chan
D439,171 S 3/2001 Wa
D489,274 S 5/2004 Iwata
D504,407 S * 4/2005 Cohen et al. D14/155
D531,588 S * 11/2006 Peh D13/168
D589,905 S * 4/2009 Lin et al. D13/168
D609,197 S * 2/2010 Koskela et al. D13/168
D691,055 S 10/2013 Dalton
D705,089 S 5/2014 Rogers et al.

* cited by examiner

Primary Examiner — Martie K Holtje

(74) *Attorney, Agent, or Firm* — Andrew W. Chu; Craft Chu PLLC

(57) **CLAIM**

The ornamental design for a handheld timer, as shown and described.

DESCRIPTION

FIG. 1 is top, left front perspective view of a handheld timer showing my design.

FIG. 2 is a front elevational view thereof;

FIG. 3 is a rear elevational view thereof;

FIG. 4 is a left side elevation view thereof;

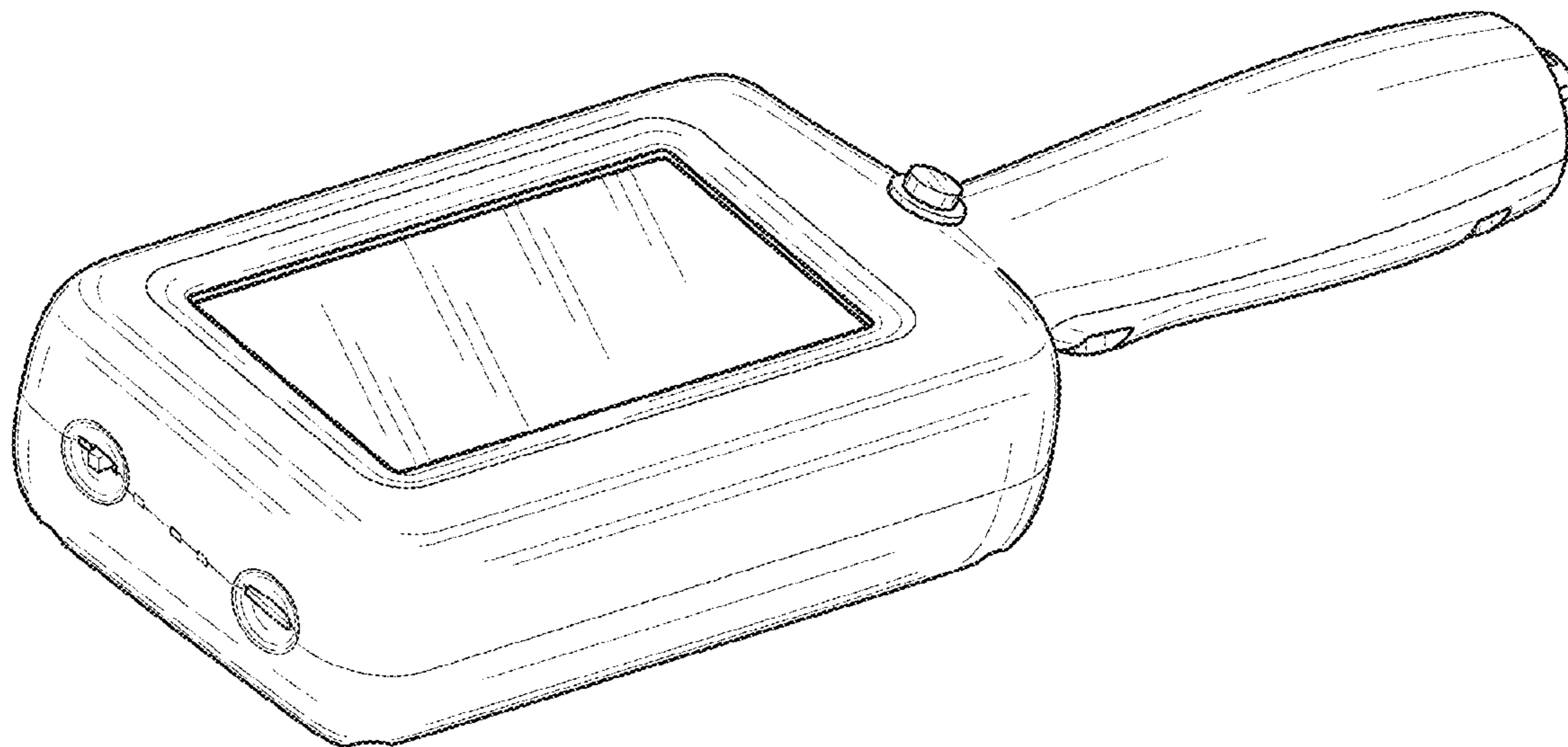
FIG. 5 is a right side elevation view thereof;

FIG. 6 is a top plan view thereof, and,

FIG. 7 is a bottom plan view thereof.

The structural features depicted by broken lines in FIG. 3 have been shown for the purpose of illustrating portions of the handheld timer that form no part of the claimed design.

1 Claim, 2 Drawing Sheets



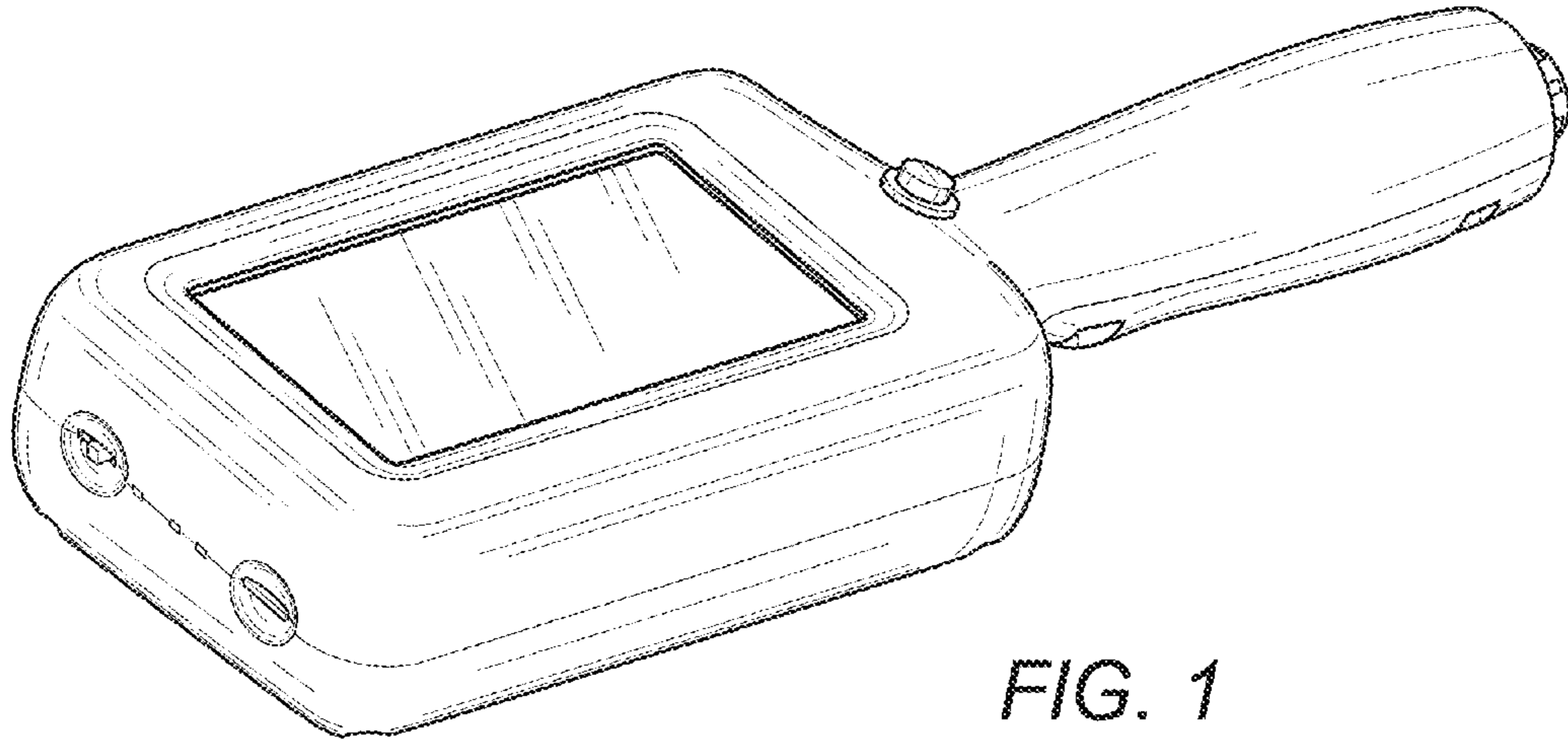


FIG. 1

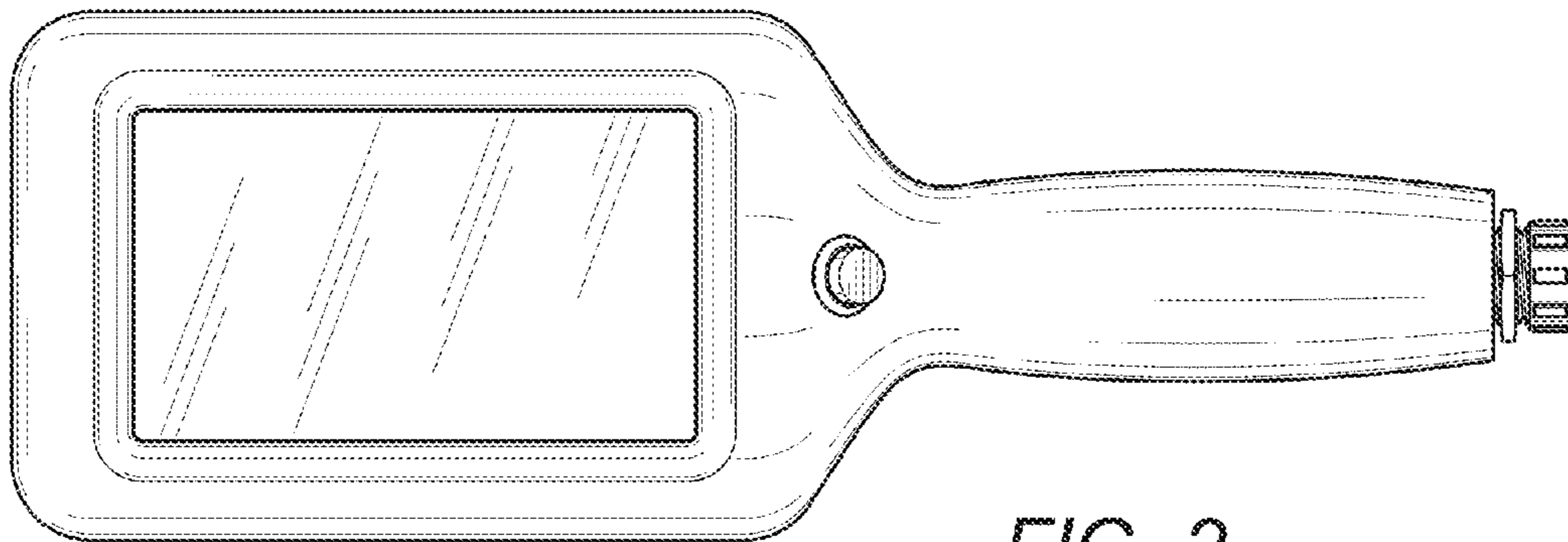


FIG. 2

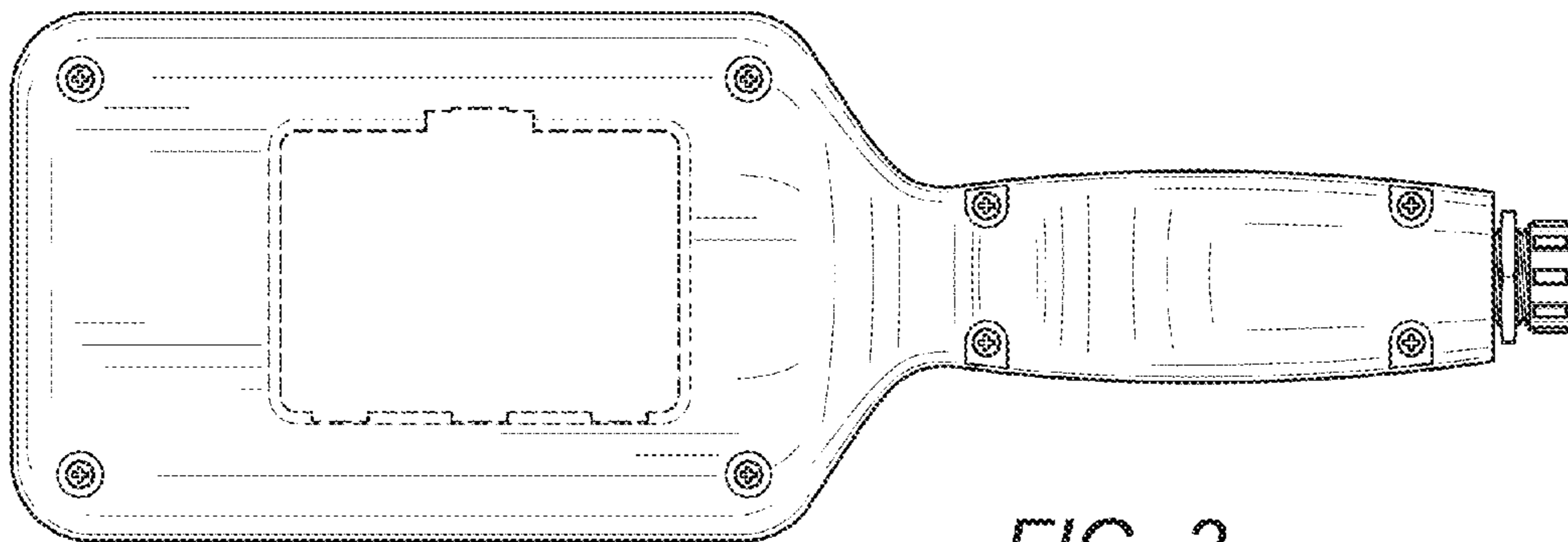


FIG. 3

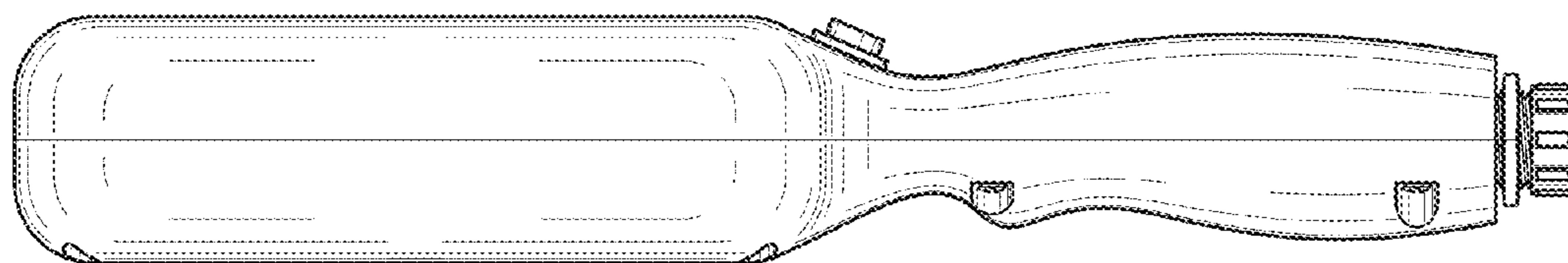


FIG. 4

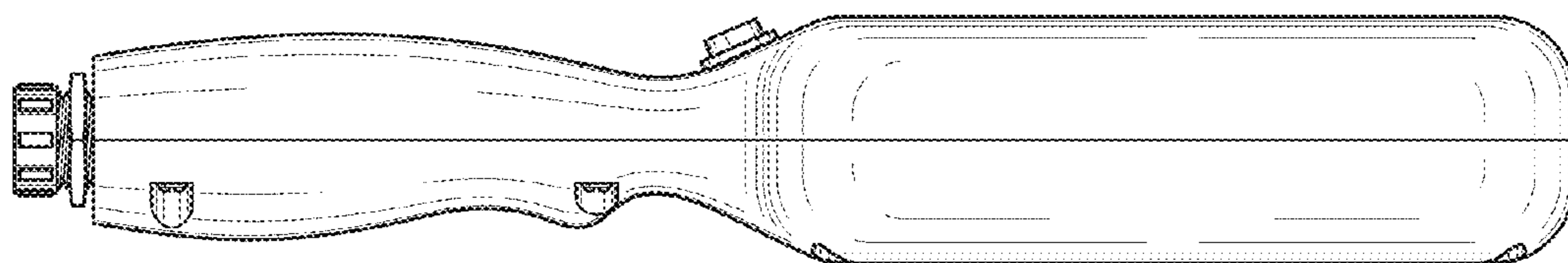


FIG. 5

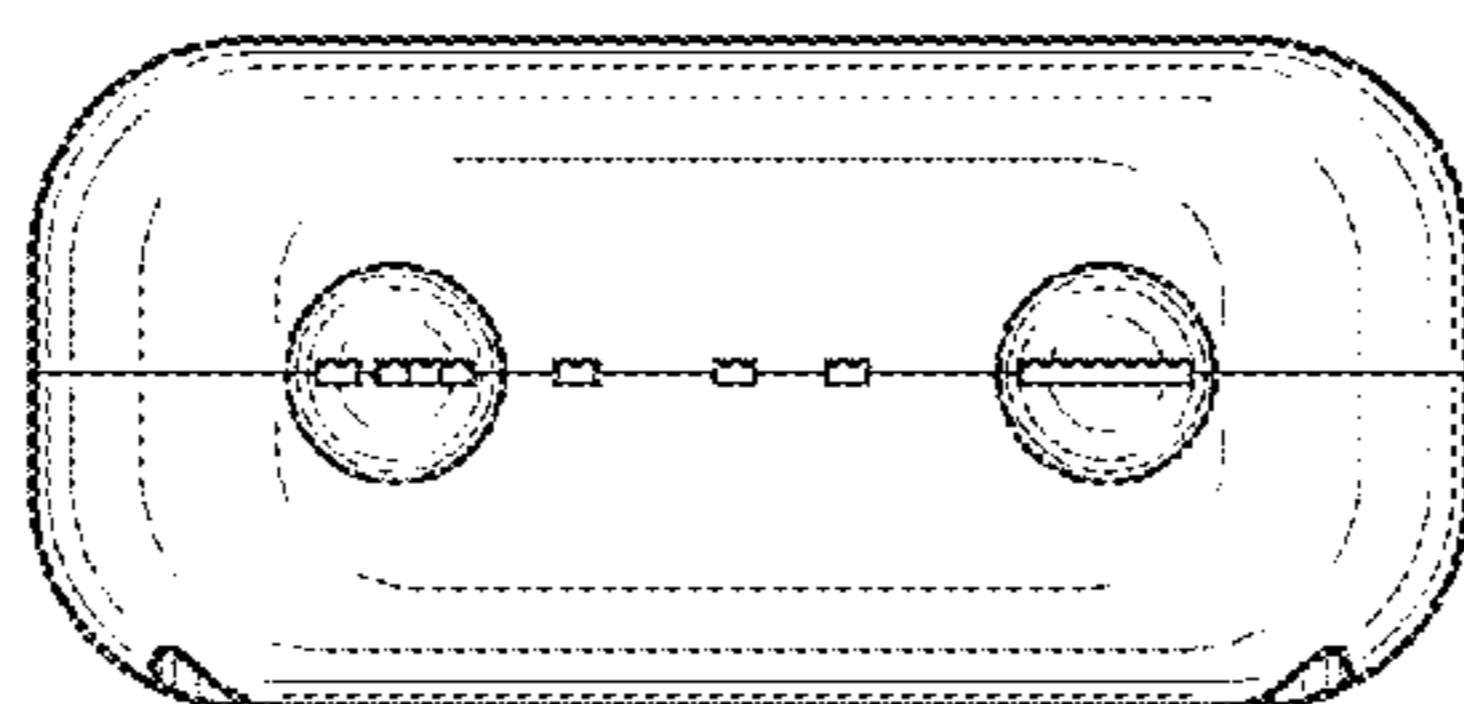


FIG. 6

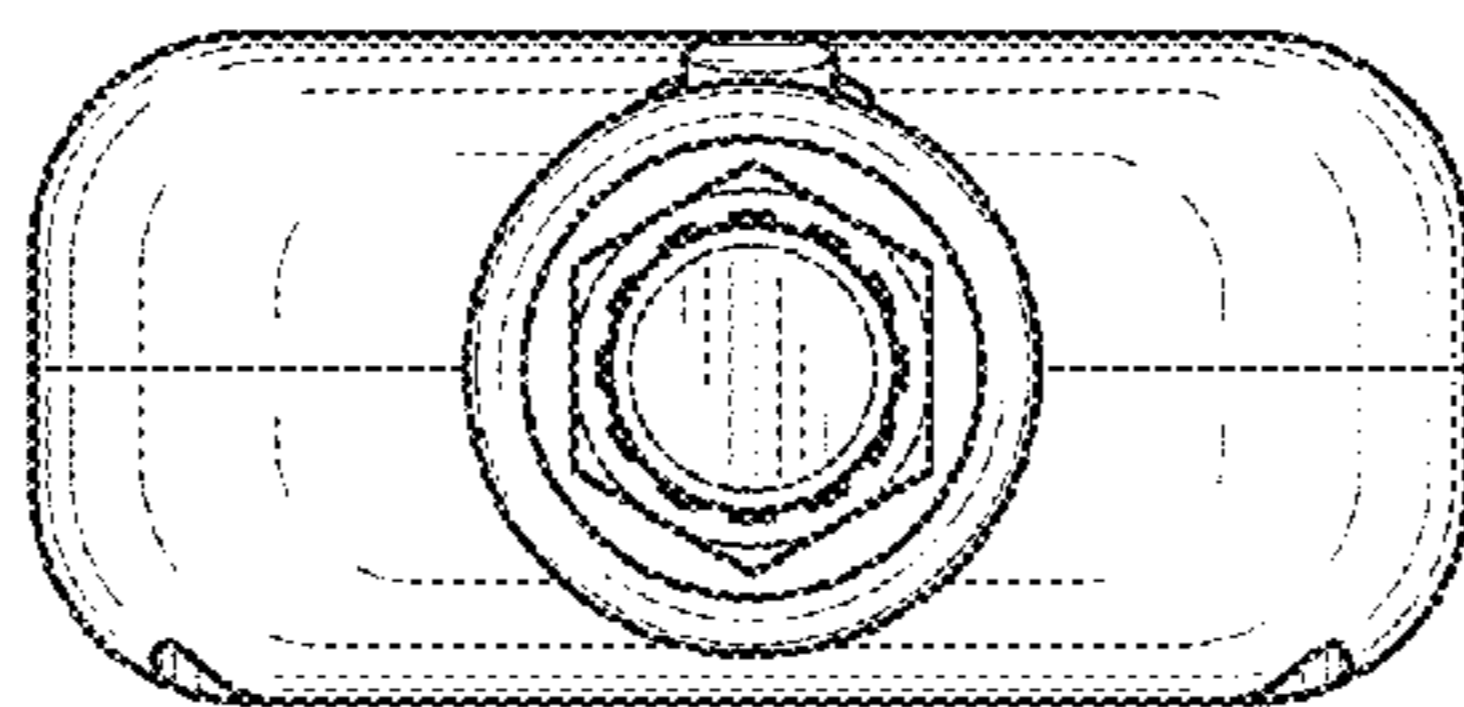


FIG. 7