



US00D744872S

(12) **United States Design Patent**
Ehara

(10) **Patent No.:** **US D744,872 S**
(45) **Date of Patent:** **** Dec. 8, 2015**

(54) **MECHANISM FOR TIME RECORDER**

(71) Applicant: **SEIKO Precision Inc.**, Narashino-shi,
Chiba (JP)

(72) Inventor: **Koji Ehara**, Chiba (JP)

(73) Assignee: **SEIKO Precision Inc.** (JP)

(**) Term: **14 Years**

(21) Appl. No.: **29/466,878**

(22) Filed: **Sep. 12, 2013**

(30) **Foreign Application Priority Data**

Mar. 15, 2013 (JP) 2013-005819

(51) **LOC (10) Cl.** **10-03**

(52) **U.S. Cl.**
USPC **D10/40**

(58) **Field of Classification Search**
USPC D10/40-45, 1-29
CPC G07C 1/00; G07C 1/04; G07C 1/06;
G07C 1/14; B41J 3/28; B41J 3/46; B41J
11/02; B41J 11/08; B41J 29/12; B41J 29/13;
B41K 3/00; B41K 3/005; B41K 3/08
See application file for complete search history.

(56) **References Cited**

U.S. PATENT DOCUMENTS

2,087,315 A * 7/1937 Bugg et al. 101/297
2,796,315 A * 6/1957 Moodie 346/59
2,816,810 A * 12/1957 Juhas 346/83
2,838,861 A * 6/1958 Dunn 40/470
2,983,443 A * 5/1961 Robinson et al. 235/377
3,019,074 A * 1/1962 Leeser 346/85
3,942,182 A * 3/1976 Sato 346/53

4,381,511 A * 4/1983 Suzuki 346/20
5,136,937 A * 8/1992 Nogawa 101/72
5,761,996 A * 6/1998 Gauthier et al. 101/93
5,764,250 A * 6/1998 Tenenbaum et al. 346/80
7,950,327 B2 * 5/2011 Nagata 101/328

* cited by examiner

Primary Examiner — Martie K Holtje

(74) *Attorney, Agent, or Firm* — Saidman DesignLaw
Group, LLC

(57) **CLAIM**

The ornamental design for a mechanism for time recorder, as
shown and described.

DESCRIPTION

FIG. 1 is a perspective view of a mechanism for time recorder
showing my new design;

FIG. 2 is a front view thereof;

FIG. 3 is a top view thereof;

FIG. 4 is a front view thereof showing line 5-5;

FIG. 5 is a cross-sectional view taken in the direction of
arrows 5-5 in FIG. 4;

FIG. 6 is a partial view thereof with portions of the unclaimed
environmental structure removed;

FIG. 7 is a partial front view thereof showing line 8-8;

FIG. 8 is an enlarged cross-sectional view taken in the direc-
tion of arrows 8-8 in FIG. 7; and,

FIG. 9 is a partial exploded view thereof.

The dashed broken lines illustrate structure or features which
form no part of the claimed design.

The dot-dash broken lines represent unclaimed boundaries
between the claimed portions and the unclaimed portions.

The drawings include surface shading which represents con-
tour, not surface ornamentation.

The bottom view is omitted as it forms no part of the claimed
design.

1 Claim, 8 Drawing Sheets

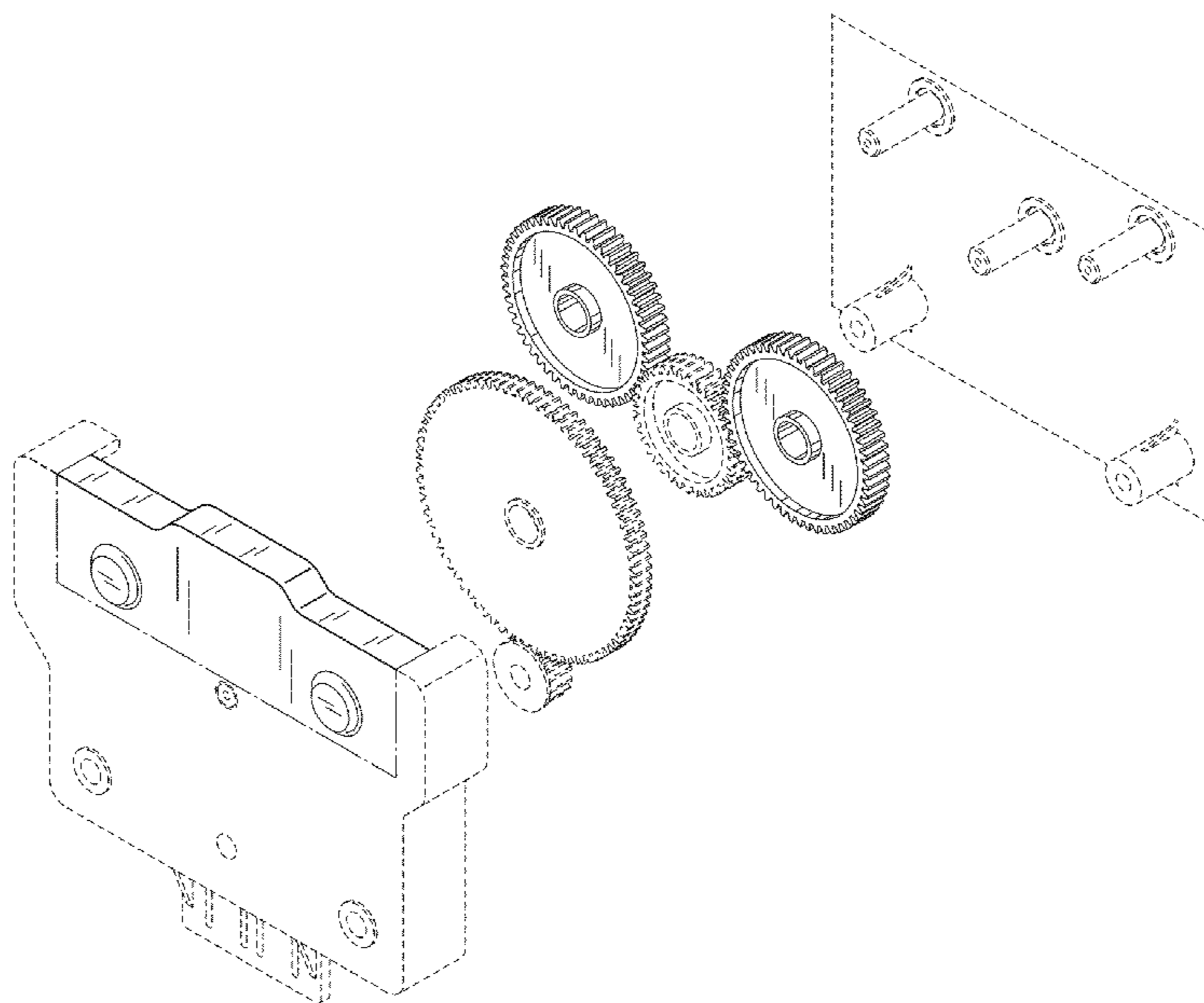


Fig.1

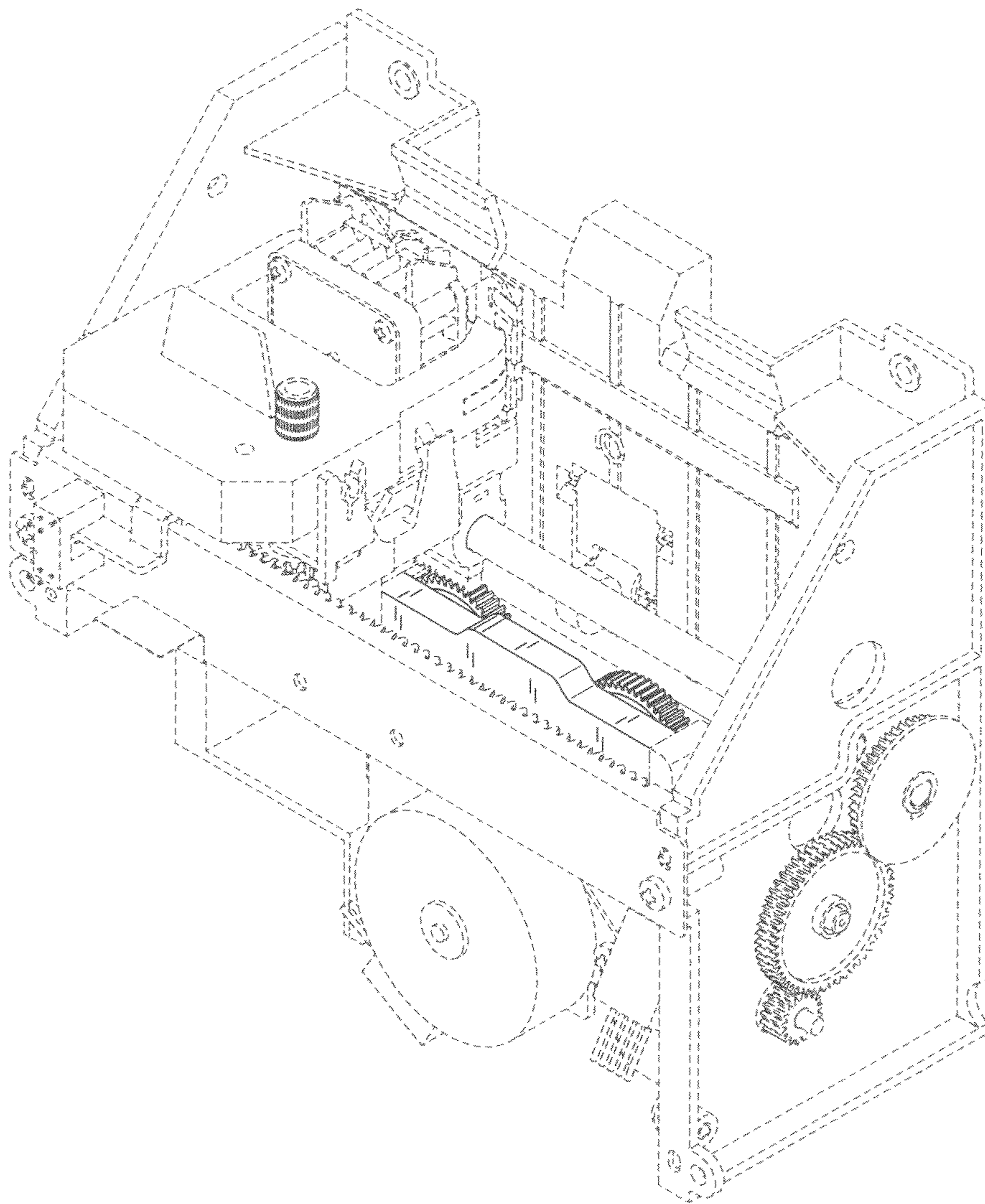


Fig.2

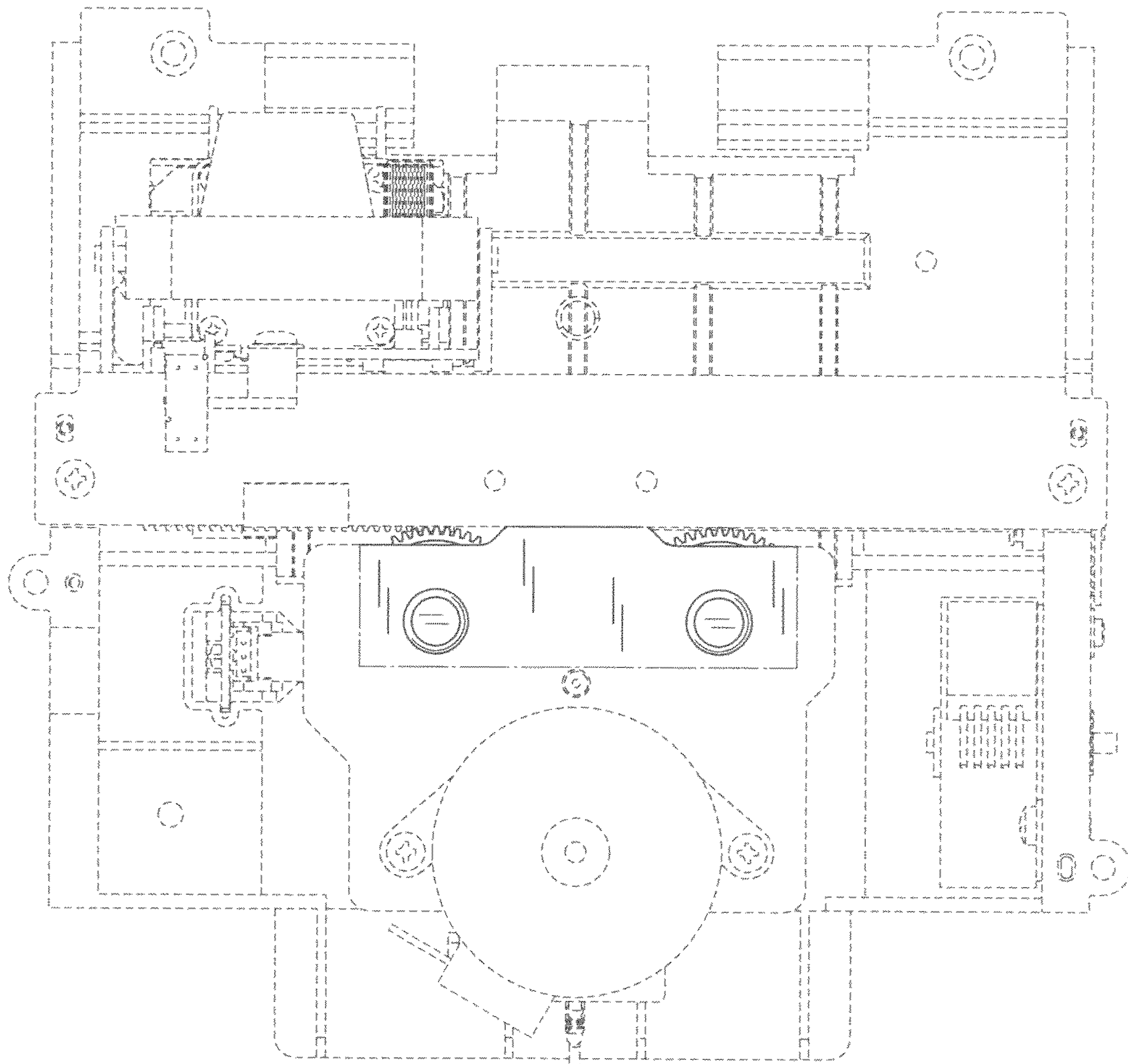


Fig.3

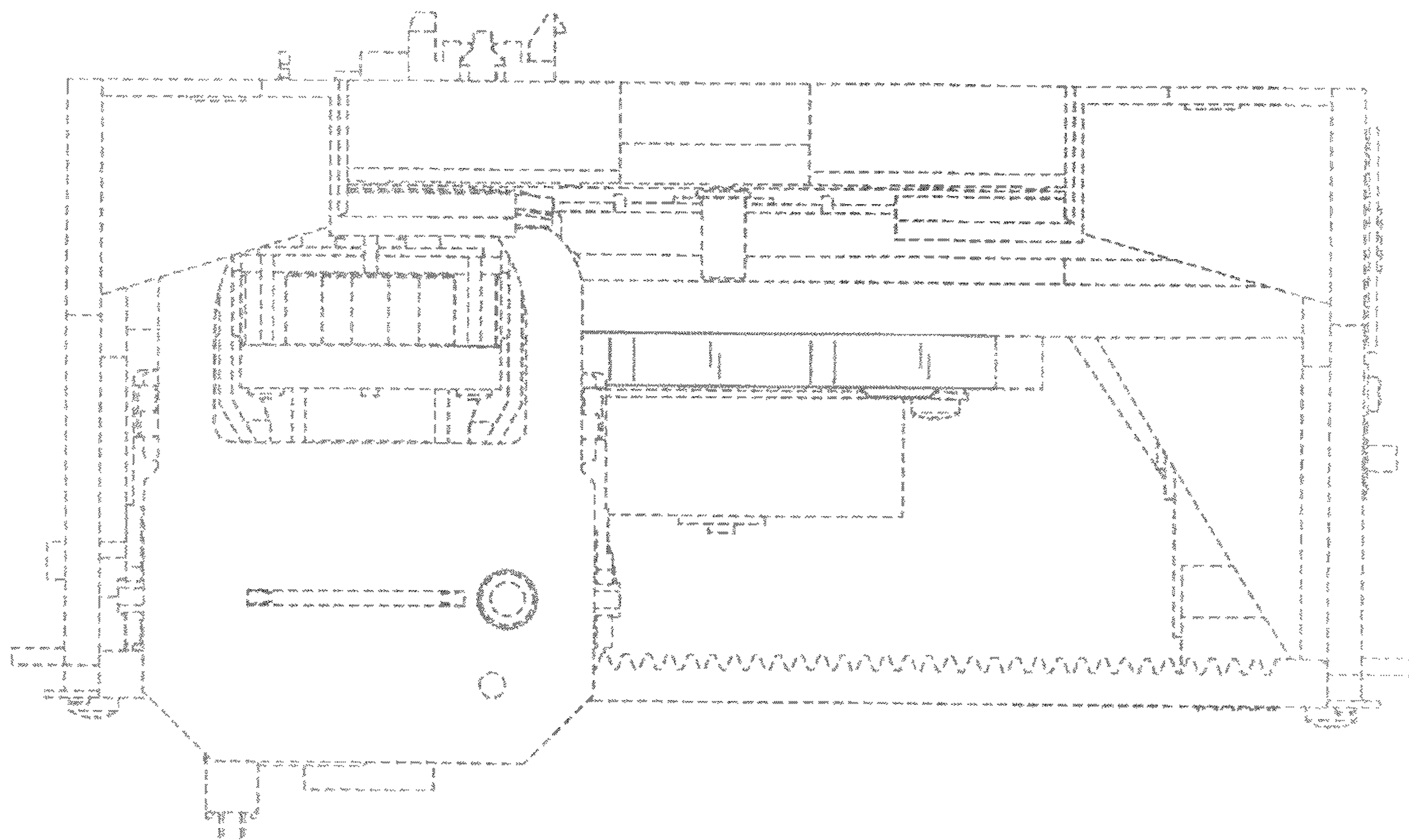


Fig.4

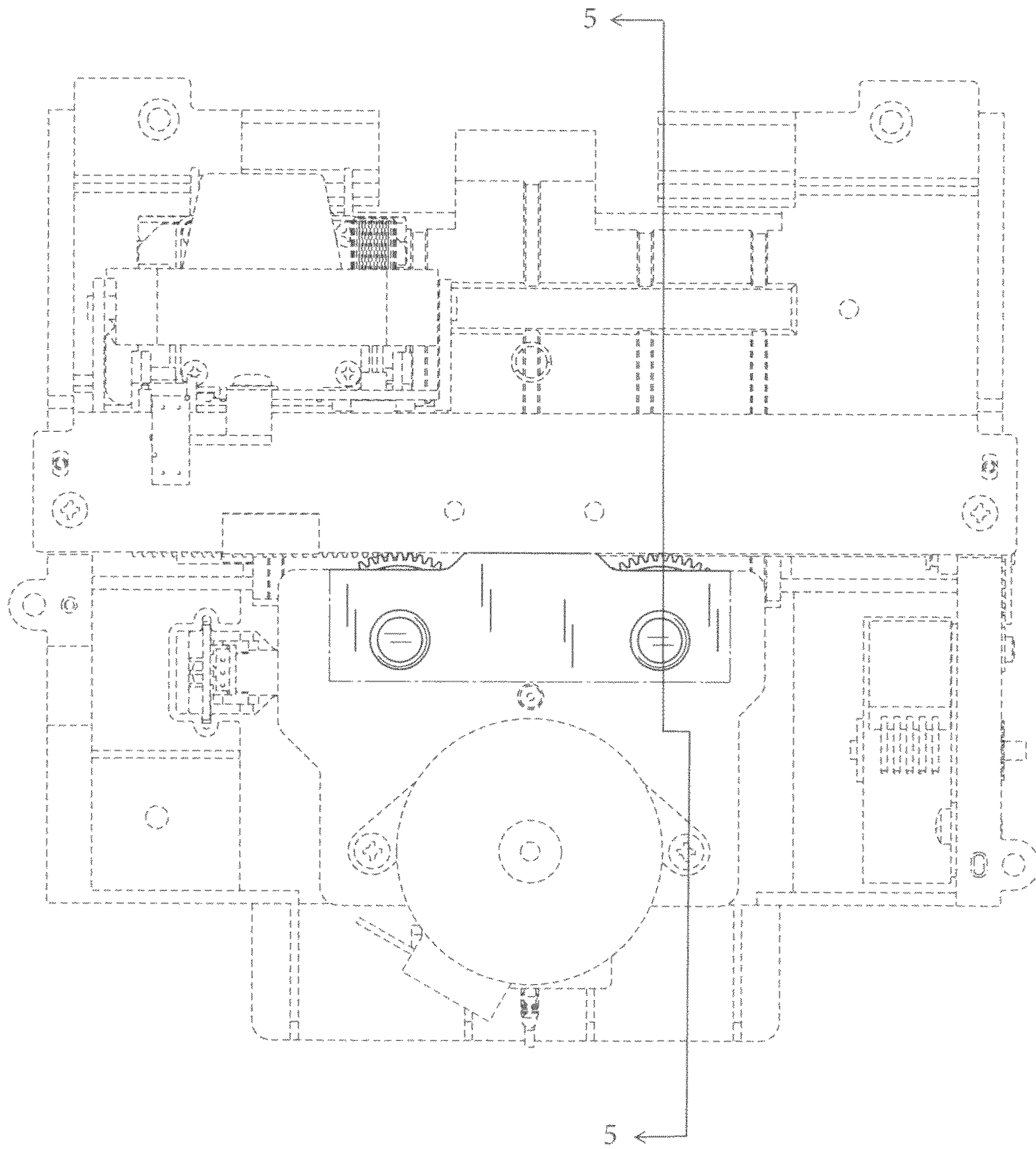


Fig.5

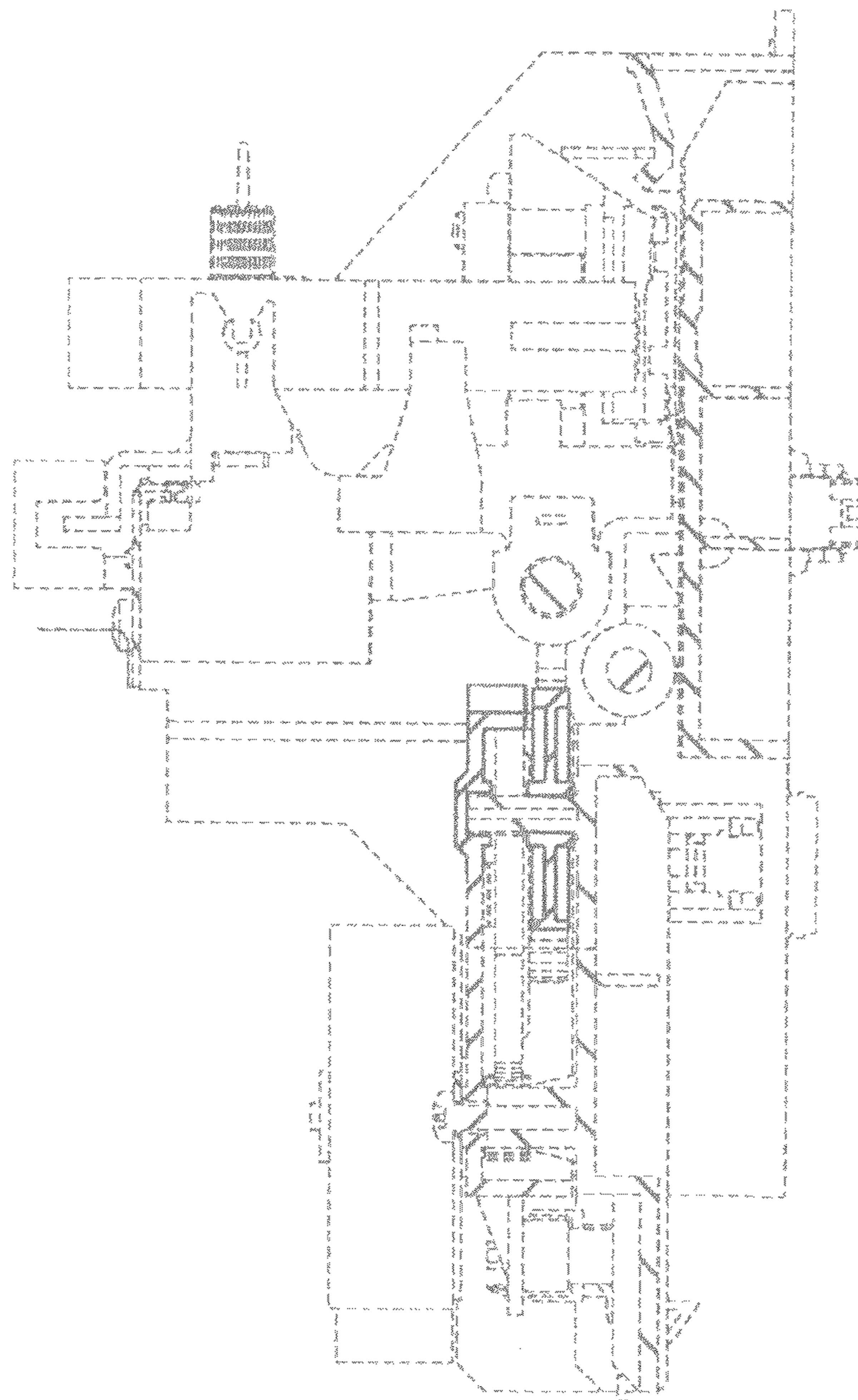


Fig.6

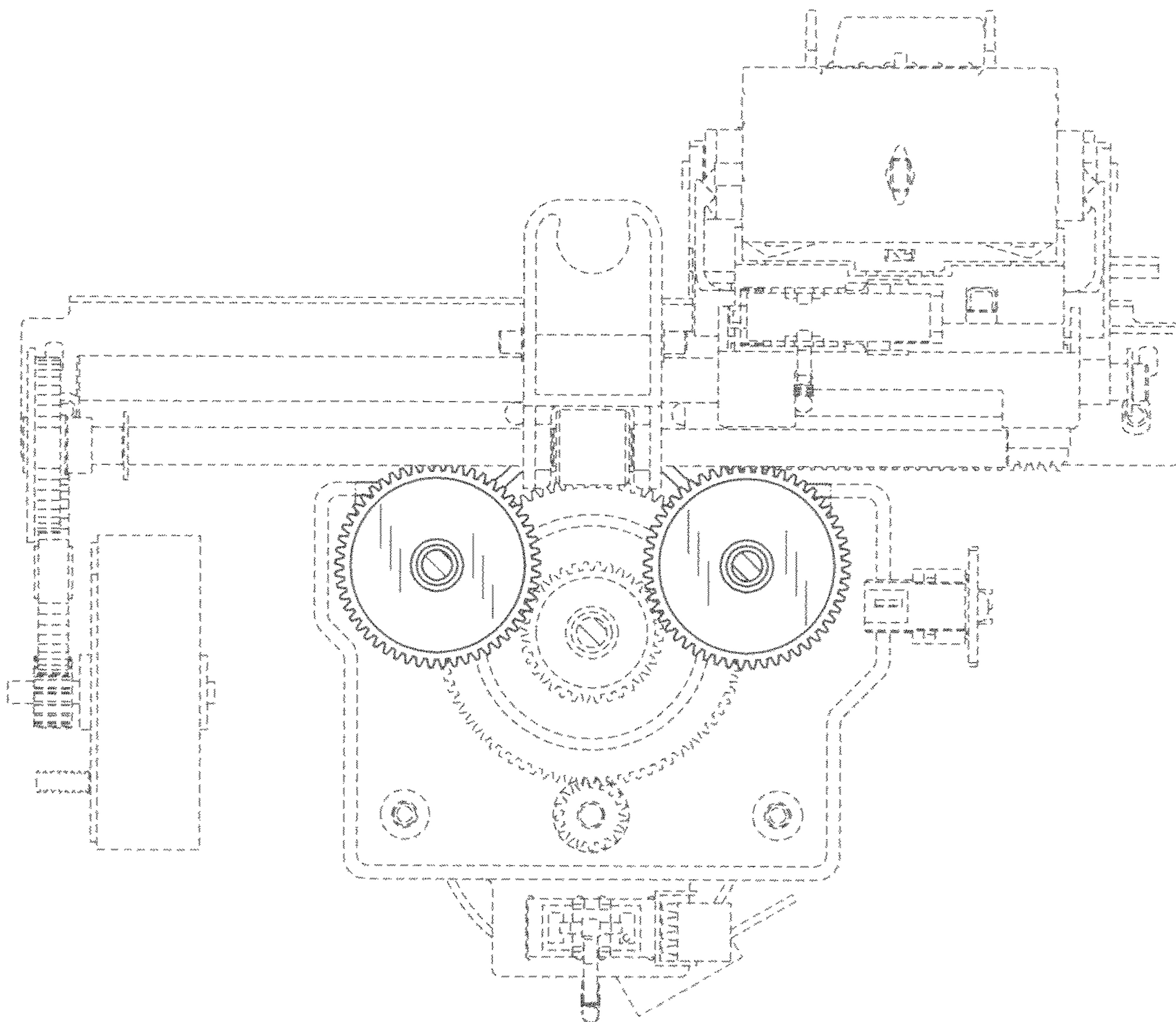


Fig.7

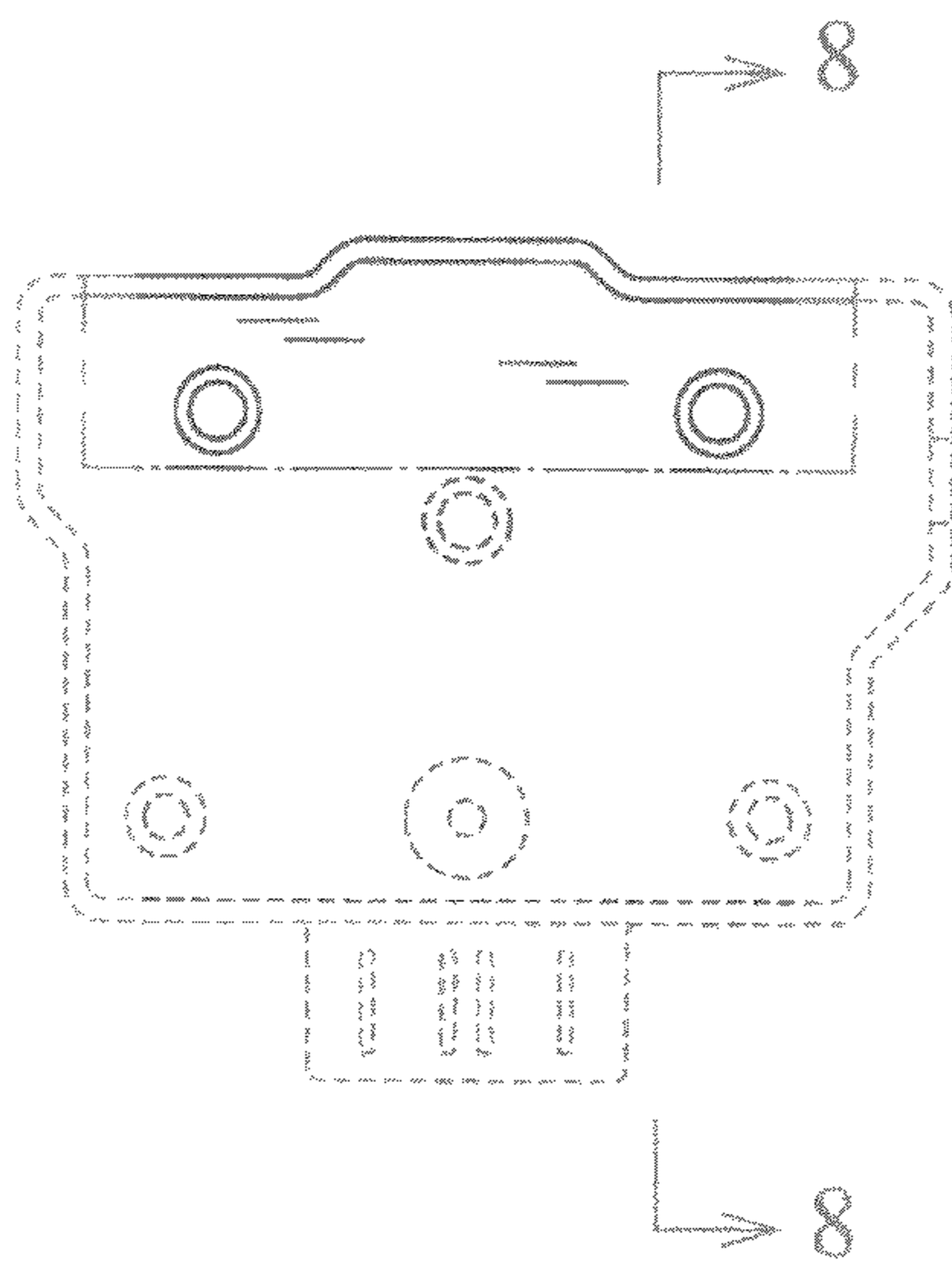


Fig.8

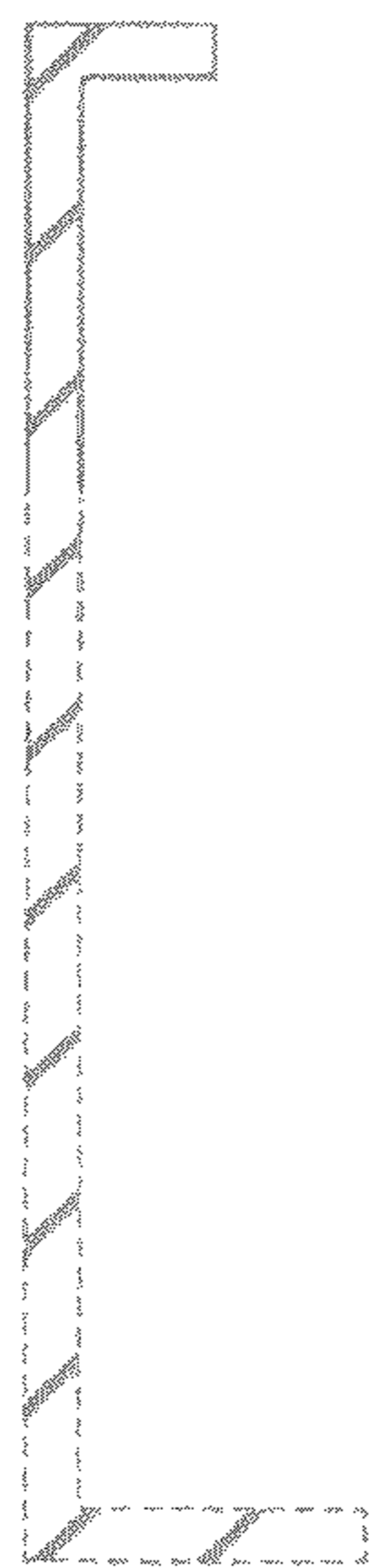


Fig.9

