



US00D744868S

(12) **United States Design Patent**  
**Hibayashi**

(10) **Patent No.:** **US D744,868 S**  
(45) **Date of Patent:** **\*\* Dec. 8, 2015**

- (54) **WATCH CASE**
- (71) Applicant: **SEIKO WATCH KABUSHIKI KAISHA**, Chuo-ku, Tokyo (JP)
- (72) Inventor: **Yugo Hibayashi**, Tokyo (JP)
- (73) Assignee: **SEIKO WATCH KABUSHIKI KAISHA** (JP)
- (\*\*) Term: **14 Years**
- (21) Appl. No.: **29/510,316**
- (22) Filed: **Nov. 26, 2014**
- (51) **LOC (10) Cl.** ..... **10-02**
- (52) **U.S. Cl.**  
USPC ..... **D10/30; D10/38; D10/128**
- (58) **Field of Classification Search**  
USPC ..... D10/30-39, 1-29, 122-132  
CPC ..... G04B 19/00; G04B 19/18; G04B 19/28;  
G04B 19/283; G04B 37/00; G04B 37/0008;  
G04B 37/0058; G04B 39/00; G04B 39/02  
See application file for complete search history.

D380,392 S *	7/1997	Kennedy	.....	D10/30
D382,816 S *	8/1997	Riley	.....	D10/30
D384,291 S *	9/1997	Goto	.....	D10/30
D389,768 S *	1/1998	Krauss	.....	D10/128
D390,124 S *	2/1998	Krauss	.....	D10/30
6,310,835 B1 *	10/2001	Mantoan	.....	G04B 19/283 368/294

**FOREIGN PATENT DOCUMENTS**

JP	916387	1/1995
JP	916416	1/1995

\* cited by examiner

*Primary Examiner* — Martie K Holtje

(74) *Attorney, Agent, or Firm* — Saidman DesignLaw Group, LLC

(57) **CLAIM**

The ornamental design for a watch case, as shown and described.

**DESCRIPTION**

FIG. 1 is a perspective view of a watch case showing my new design;  
 FIG. 2 is a front view thereof;  
 FIG. 3 is a rear view thereof;  
 FIG. 4 is a left side view thereof;  
 FIG. 5 is a right side view thereof;  
 FIG. 6 is a top plan view thereof; and,  
 FIG. 7 is a bottom plan view thereof.  
 The broken lines illustrate structure or features that form no part of the claimed design.

**1 Claim, 5 Drawing Sheets**

(56) **References Cited**

**U.S. PATENT DOCUMENTS**

D84,890 S *	8/1931	Graff	.....	D10/21
D261,734 S *	11/1981	Onodera	.....	D10/39
D349,062 S *	7/1994	Goto	.....	D10/30
D357,636 S *	4/1995	Riley	.....	D10/30
D364,817 S *	12/1995	Morishima	.....	D10/30
D379,321 S *	5/1997	Navera	.....	D10/128

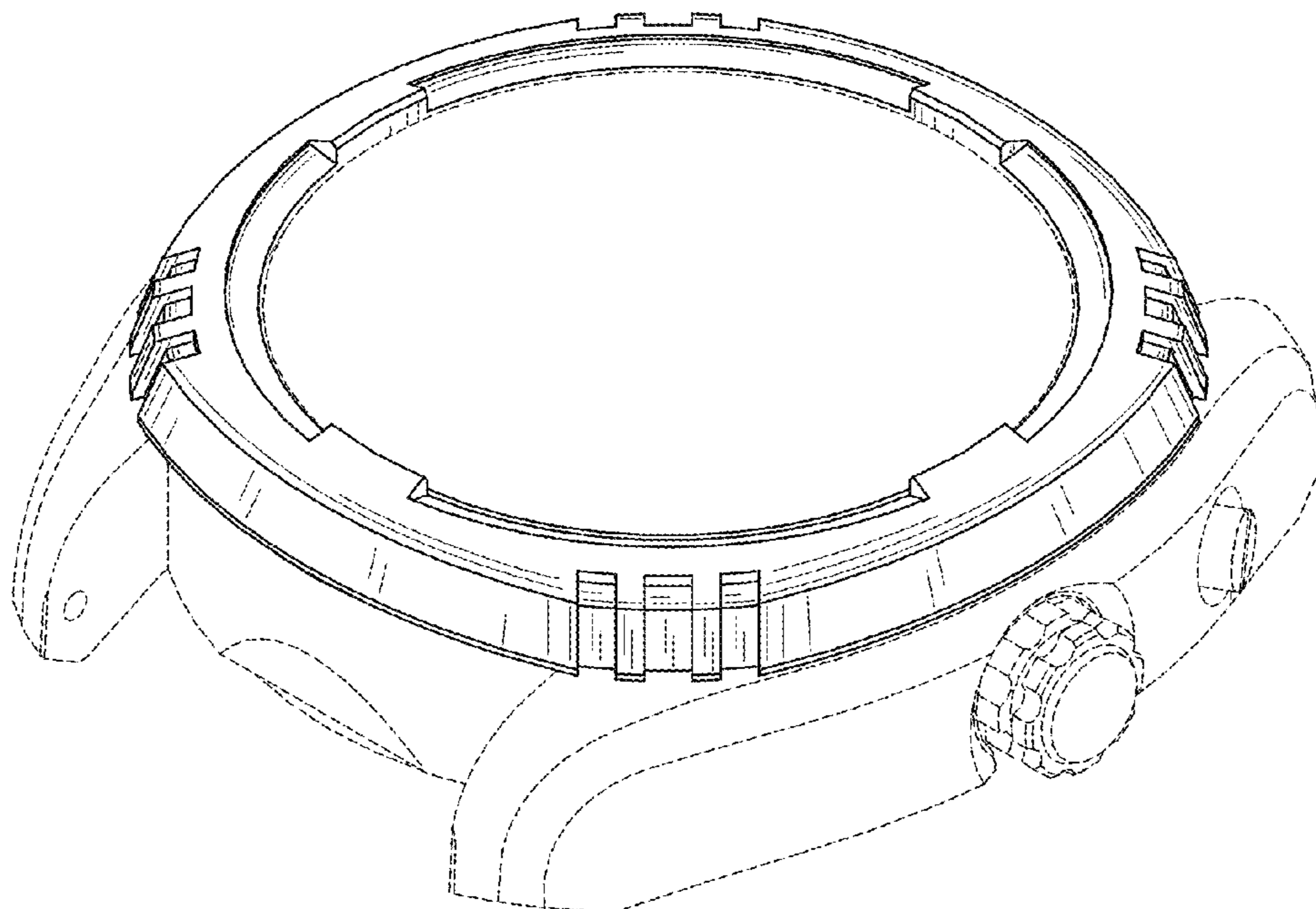


Fig. 1

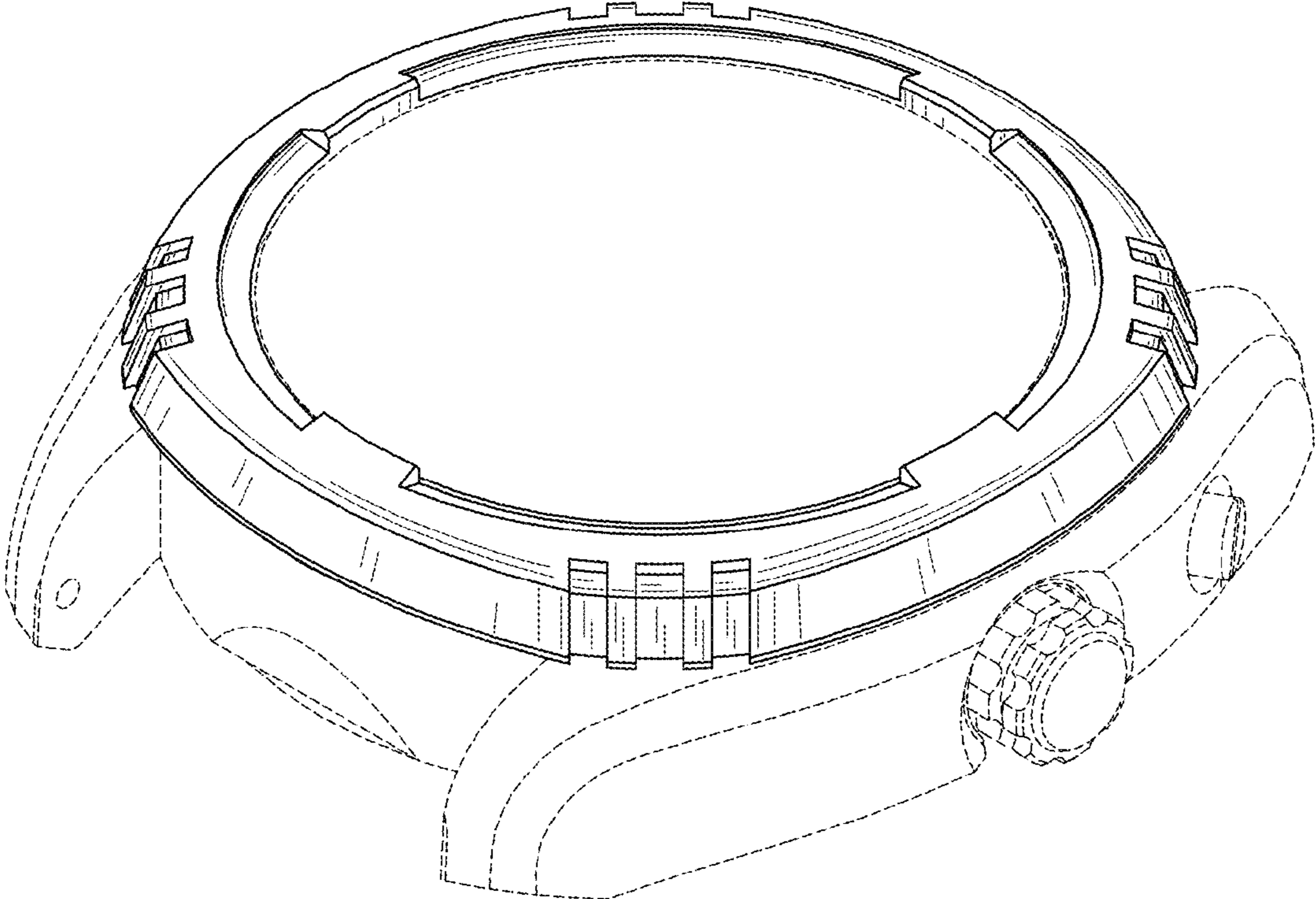


Fig.2

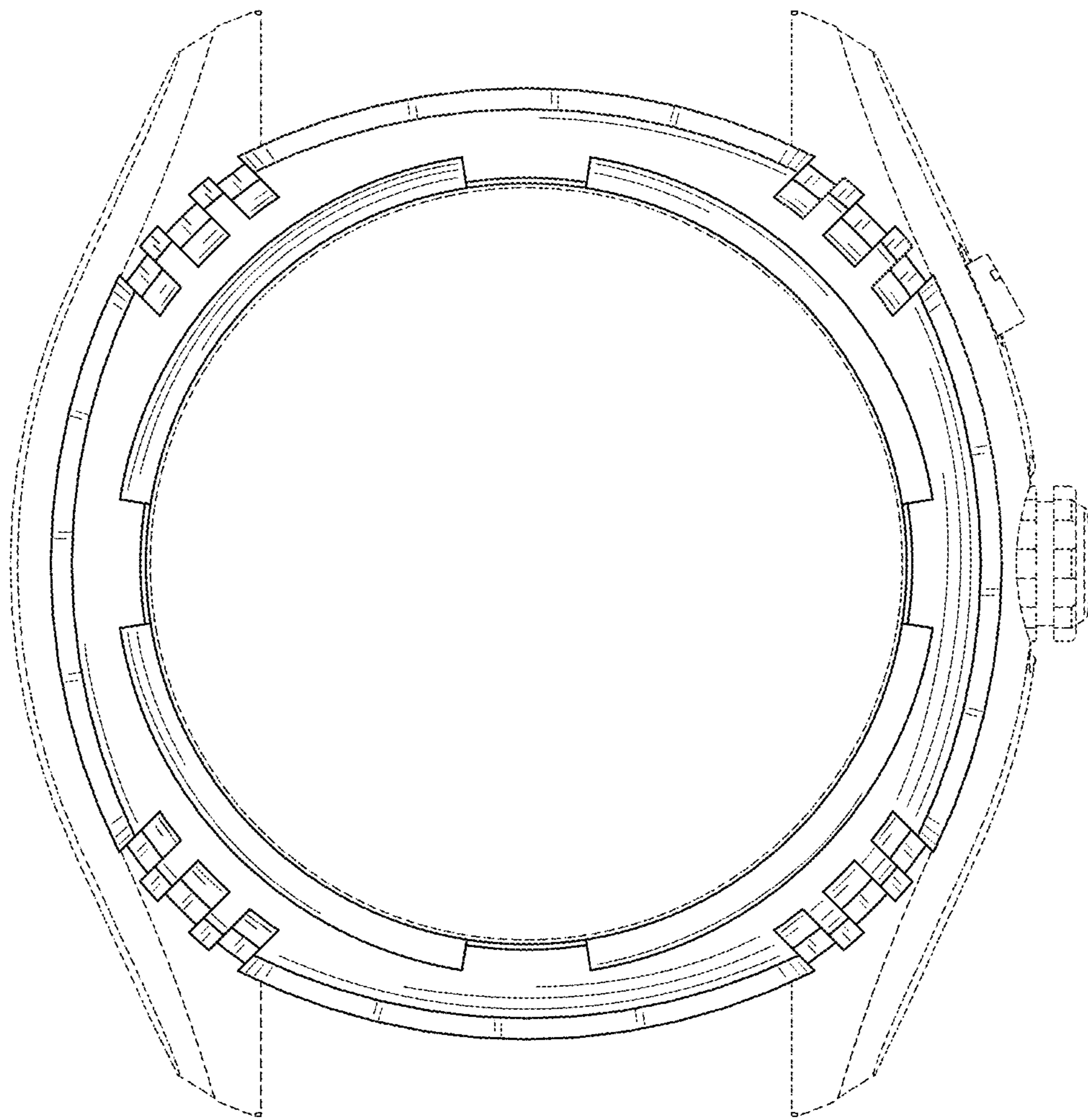


Fig.3

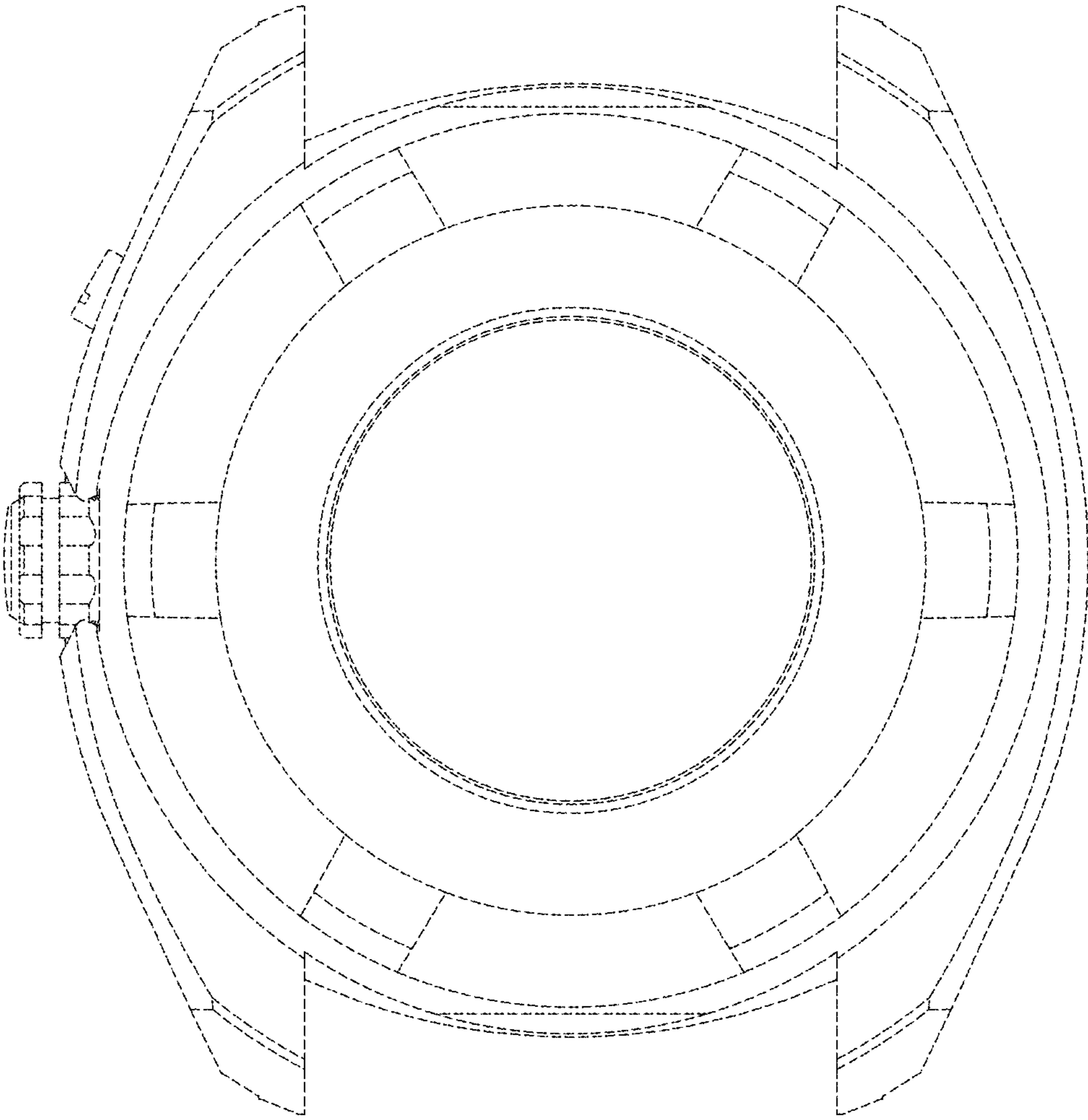


Fig.4

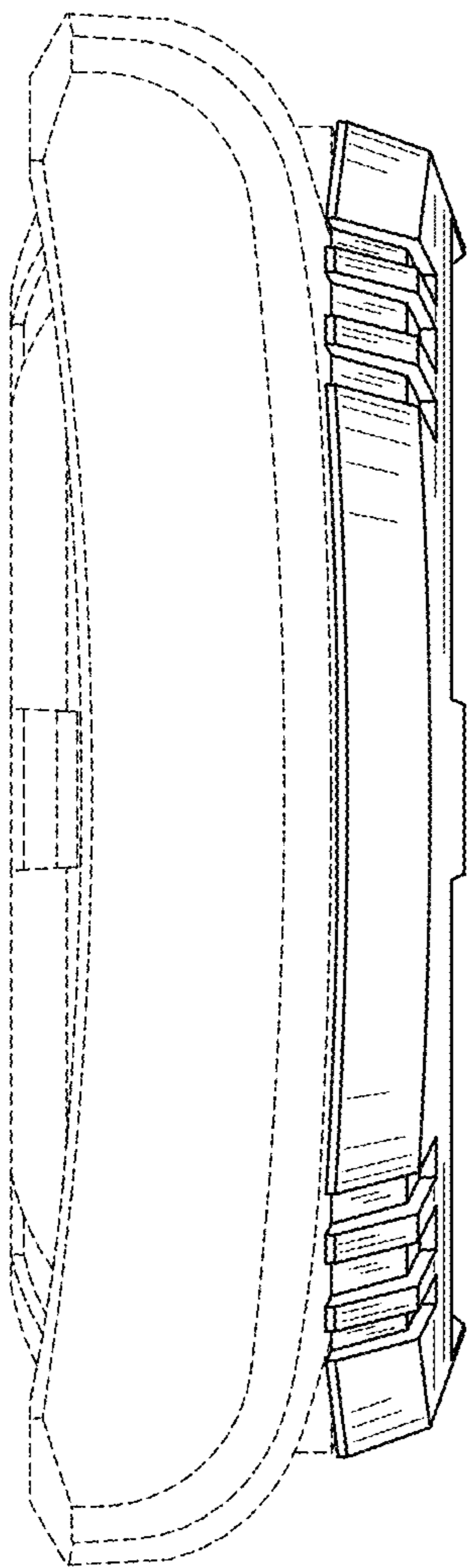


Fig.5

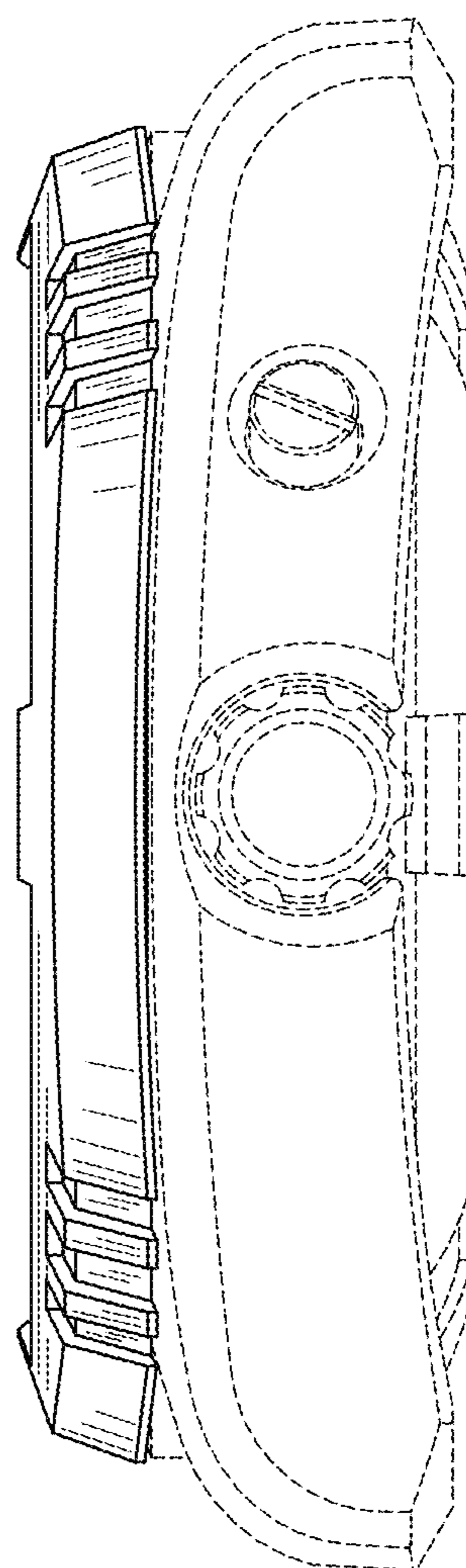


Fig.6

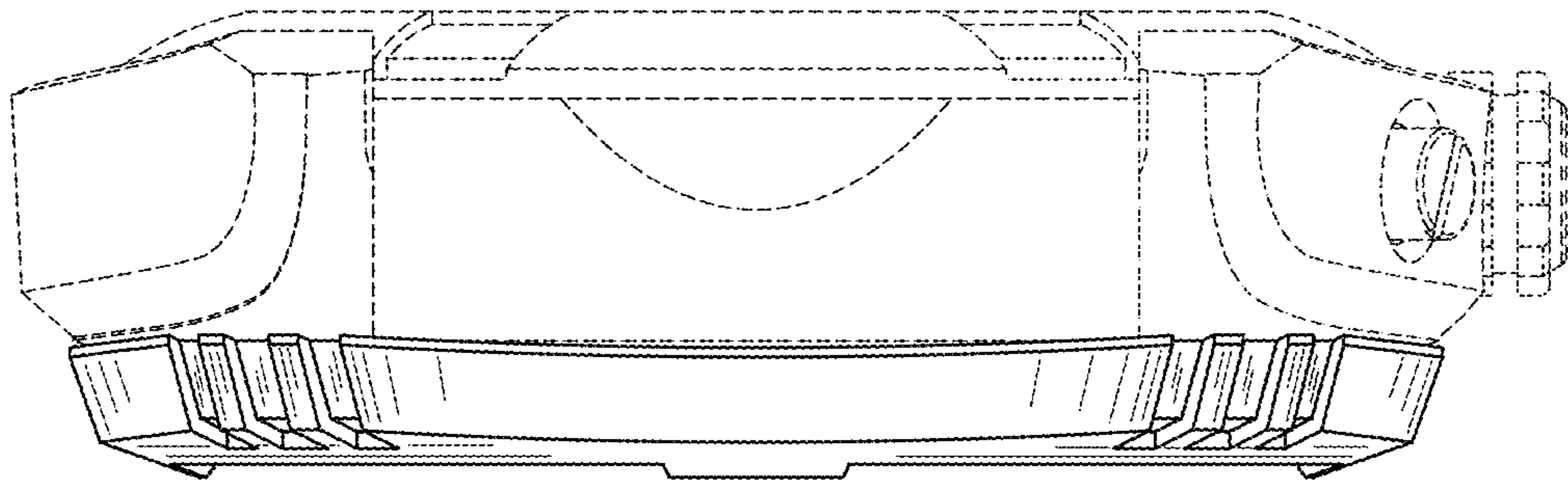


Fig.7

