



US00D744867S

(12) **United States Design Patent**
Goodman

(10) **Patent No.:** **US D744,867 S**

(45) **Date of Patent:** **** Dec. 8, 2015**

(54) **WATCH**

(71) Applicant: **Oakley, Inc.**, Foothill Ranch, CA (US)

(72) Inventor: **Christopher Goodman**, Ladera Ranch, CA (US)

(73) Assignee: **Oakley, Inc.**, Foothill Ranch, CA (US)

(**) Term: **14 Years**

(21) Appl. No.: **29/491,453**

(22) Filed: **May 21, 2014**

(51) **LOC (10) Cl.** **10-02**

(52) **U.S. Cl.**
USPC **D10/30**; D10/38; D10/39

(58) **Field of Classification Search**
USPC D10/30-39, 1-29, 122-132
CPC G04B 19/00; G04B 19/24; G04B 37/00;
G04B 37/0008; G04B 37/0058; G04G 17/00;
G04G 17/08; G04F 7/00; G04F 7/06; G04F
7/08; G04F 7/0842
See application file for complete search history.

(56) **References Cited**

U.S. PATENT DOCUMENTS

2,361,563 A	10/1944	Pellaton	
D186,180 S	9/1959	Diamond	
D287,470 S	12/1986	Houlihan	
D295,841 S	5/1988	Kano	
4,972,393 A	11/1990	Sase et al.	
D325,528 S	4/1992	Schneider	
5,119,349 A	6/1992	Muto et al.	
D337,277 S	7/1993	Scarinzi et al.	
D338,161 S	8/1993	Kizaki	
D346,975 S	5/1994	Houlihan	
D352,250 S	11/1994	Giardiello	
D354,012 S	1/1995	Barbara	
D362,192 S	9/1995	Hitter	
D364,821 S	12/1995	Sakai et al.	
D366,426 S *	1/1996	Kojima D10/39

D379,318 S	5/1997	Lai	
D379,319 S	5/1997	Lai	
D379,768 S	6/1997	Osit	
D380,690 S	7/1997	Riley	
D380,698 S	7/1997	Paredes	
D384,295 S	9/1997	Riley	
D386,698 S	11/1997	Giardiello	
D386,977 S *	12/1997	Campilan D10/30
D392,903 S	3/1998	Yerby et al.	
D394,214 S	5/1998	Sang	
5,878,002 A	3/1999	Pfeil	
5,892,455 A	4/1999	Matsumoto	
D413,071 S	8/1999	Fichter	
D415,434 S	10/1999	Matsuda	
5,974,000 A	10/1999	Pfeil	
D447,427 S	9/2001	Finazzi	
D452,175 S	12/2001	Finazzi	
D473,475 S	4/2003	Baumann	
6,570,823 B1	5/2003	Gilomen et al.	

(Continued)

Primary Examiner — Martie K Holtje

(74) *Attorney, Agent, or Firm* — Knobbe Martens Olson & Bear, LLP

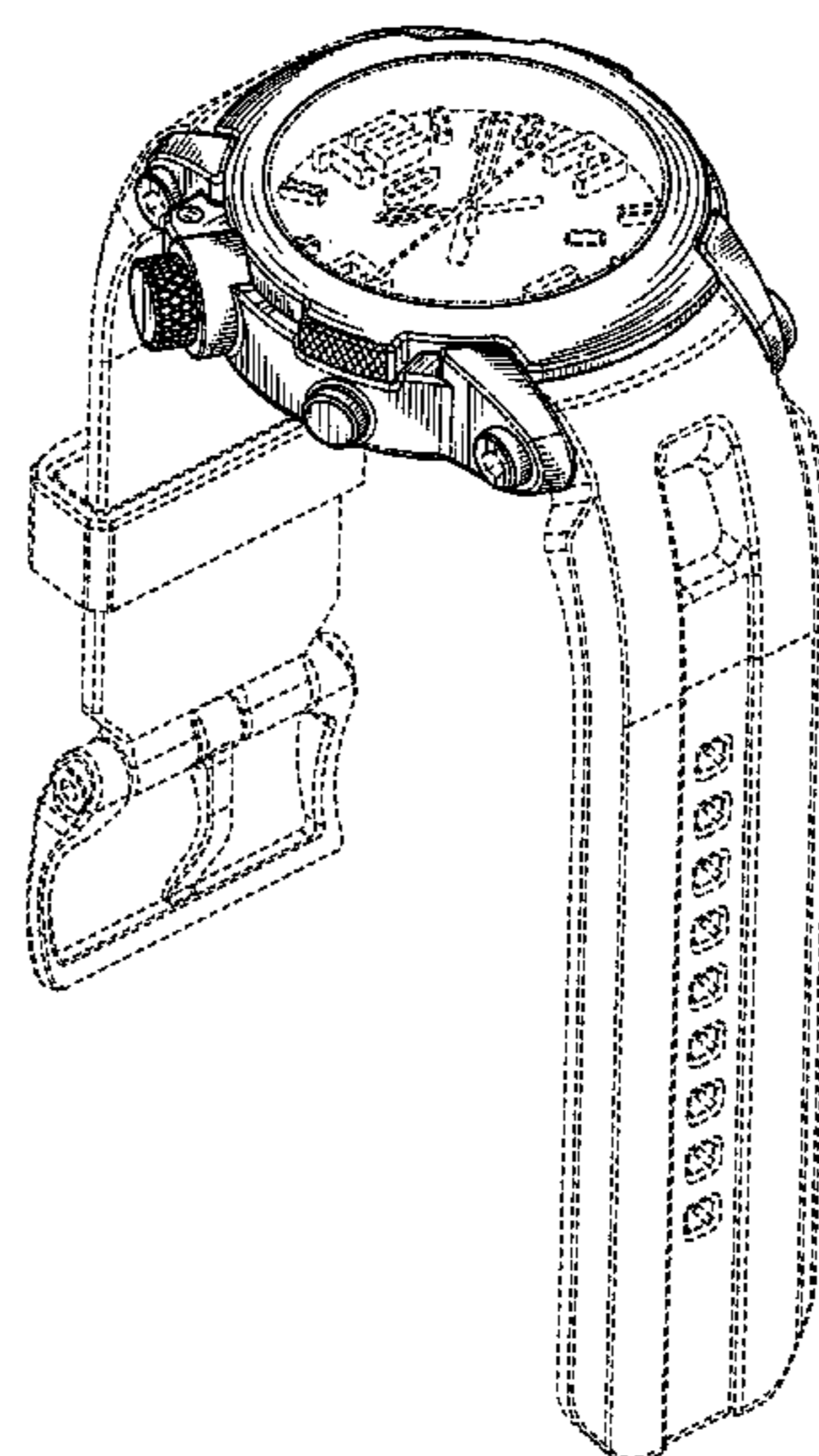
(57) **CLAIM**

The ornamental design for a watch, as shown and described.

DESCRIPTION

FIG. 1 is a front perspective view of a watch showing an embodiment of the new design;
FIG. 2 is a front elevational view thereof;
FIG. 3 is a rear elevational view thereof;
FIG. 4 is a right side elevational view of thereof;
FIG. 5 is a left side elevational view of thereof;
FIG. 6 is a top plan view of thereof; and,
FIG. 7 is a bottom plan view of thereof.
The dot-dash-dot broken lines in FIGS. 1 and 2 around the face of the watch denote unclaimed boundaries of the claimed design, and the dash-dash broken lines in the Figures show portions of the watch which form no part of the claimed design.

1 Claim, 6 Drawing Sheets



(56)

References Cited

U.S. PATENT DOCUMENTS

D498,682 S	11/2004	Moritz et al.	
6,967,903 B2 *	11/2005	Guanter	368/224
D519,389 S *	4/2006	Takahashi	D10/32
D525,537 S	7/2006	Monachon	
D533,468 S	12/2006	Loth	
D538,681 S *	3/2007	Quintavalle	D10/38
D540,199 S	4/2007	Nussbaumer	
7,210,845 B2	5/2007	Oesch et al.	
D557,619 S	12/2007	Moritz	
D559,129 S *	1/2008	Laucella	D10/39
D563,802 S	3/2008	Loth	
D566,586 S *	4/2008	Lalo	D10/39
D569,276 S *	5/2008	Scheufele	D10/39
D574,263 S	8/2008	Loth	
D574,734 S	8/2008	Loth	
D574,736 S	8/2008	Actis-Datta	
D581,812 S	12/2008	Moritz	
D583,259 S *	12/2008	Arpa	D10/39
D585,768 S	2/2009	Loth	
D590,728 S	4/2009	Moritz	
D594,350 S *	6/2009	Arpa	D10/32
D595,156 S	6/2009	Moritz	
D598,302 S	8/2009	Moritz	
D599,219 S *	9/2009	Fontana	D10/39
D610,473 S	2/2010	Goodman	
D611,359 S	3/2010	Moritz	
D622,619 S	8/2010	Goodman	
D623,542 S	9/2010	Fontana	
D628,499 S *	12/2010	Duport et al.	D10/38
D648,229 S *	11/2011	Moritz	
D659,027 S *	5/2012	Yurman	D10/32
D659,043 S	5/2012	Moritz	
D706,650 S *	6/2014	Emch	D10/39
D711,751 S *	8/2014	Laucella	D10/39

* cited by examiner

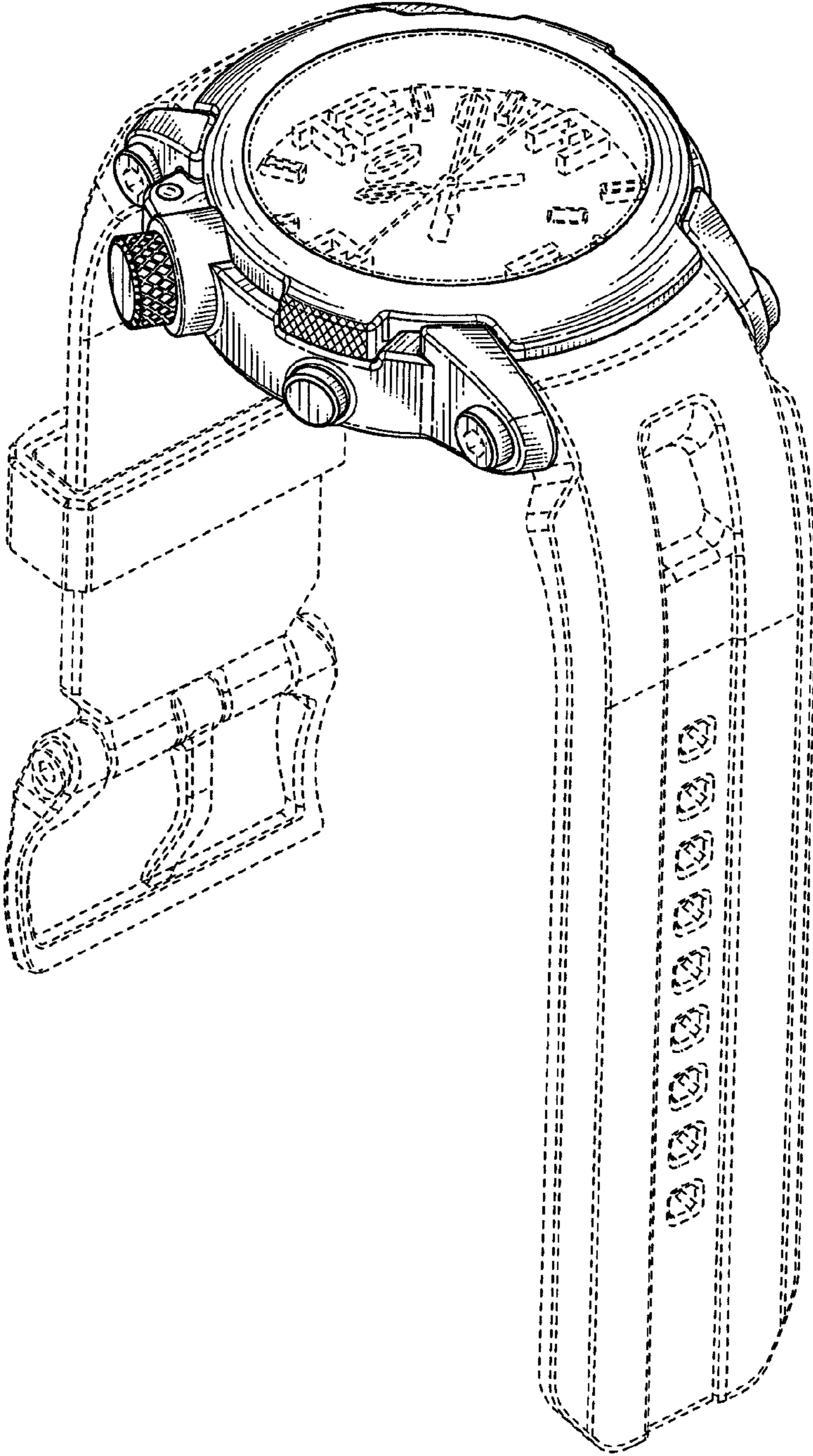


FIG. 1

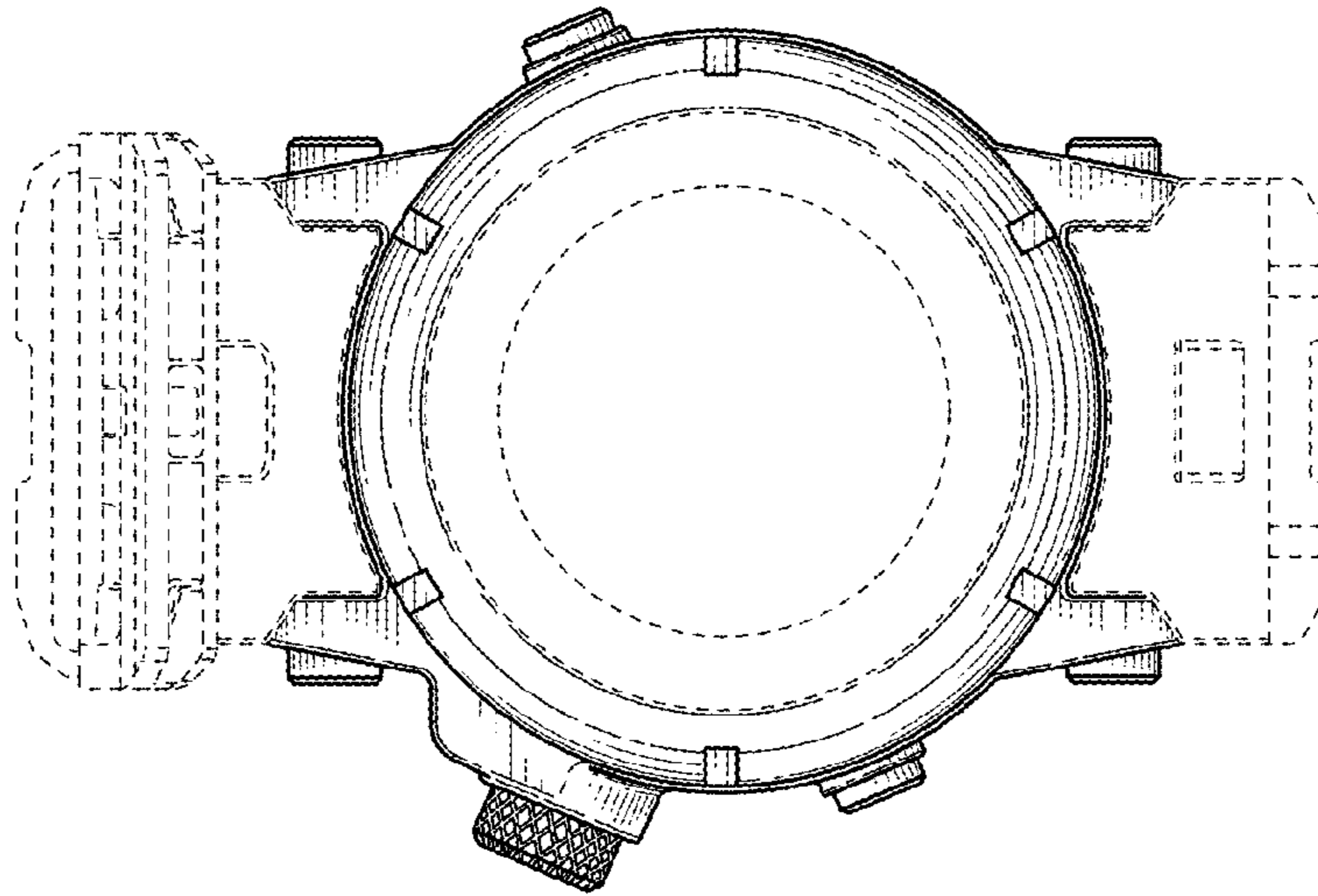


FIG. 3

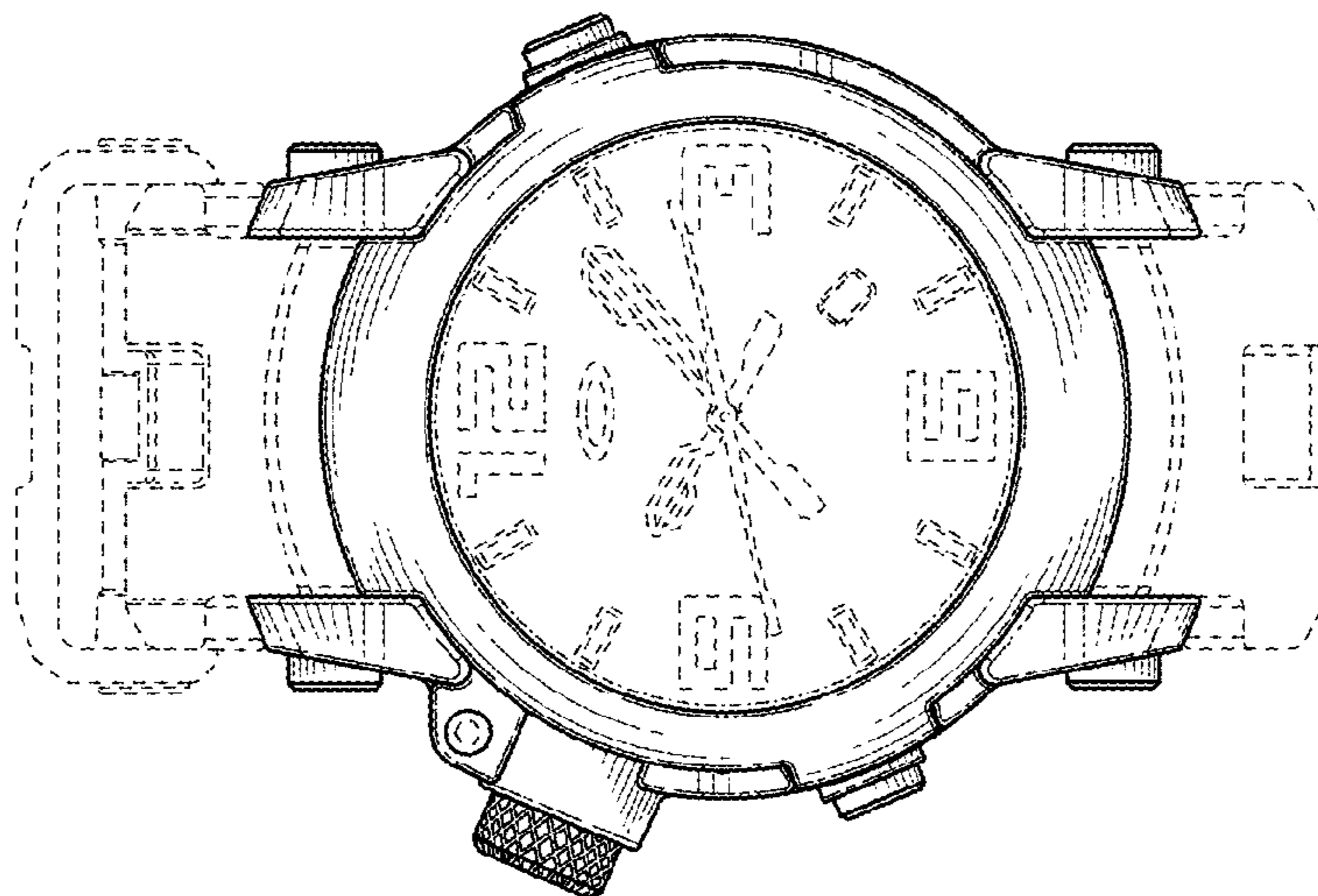


FIG. 2

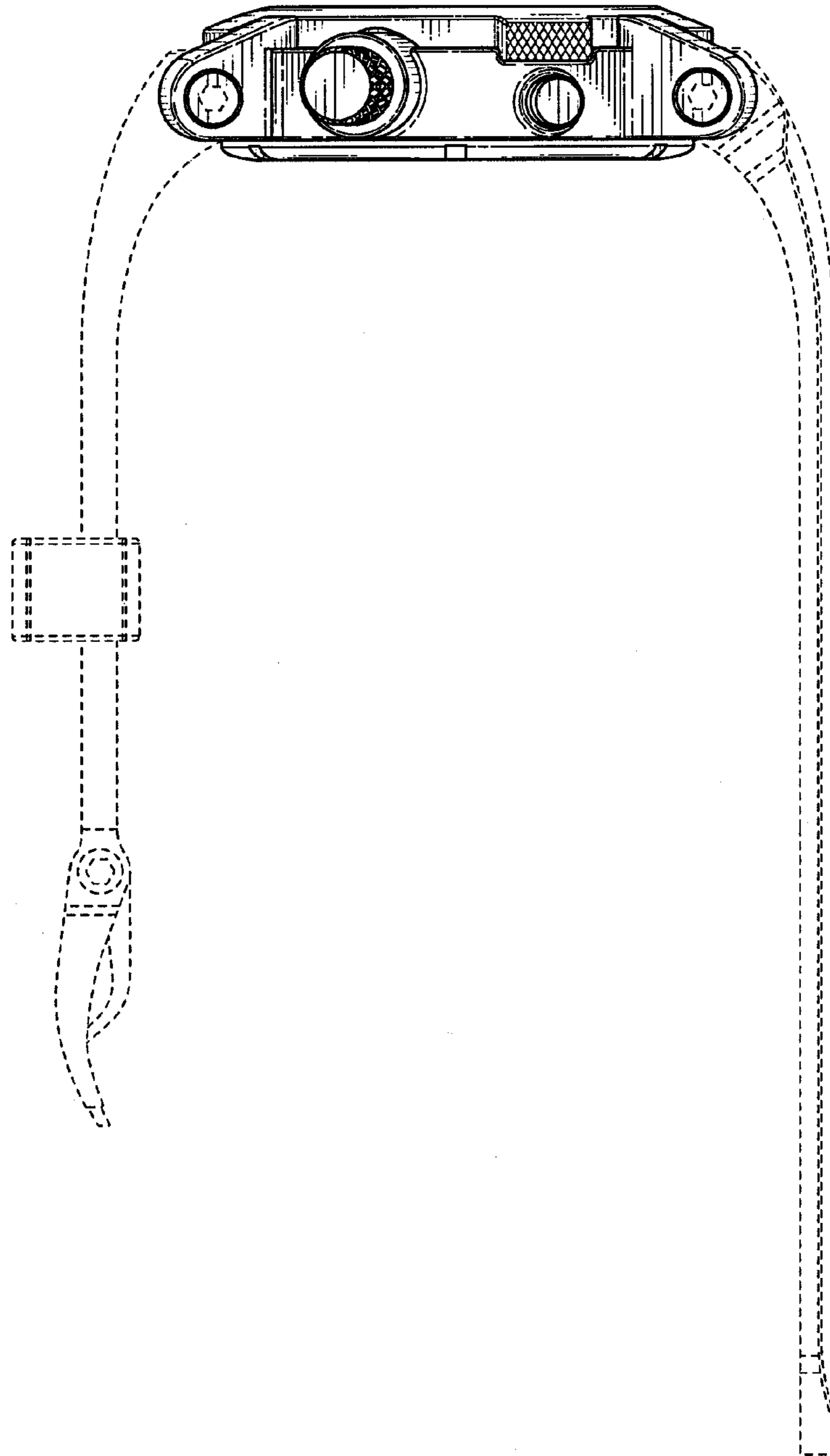


FIG. 4

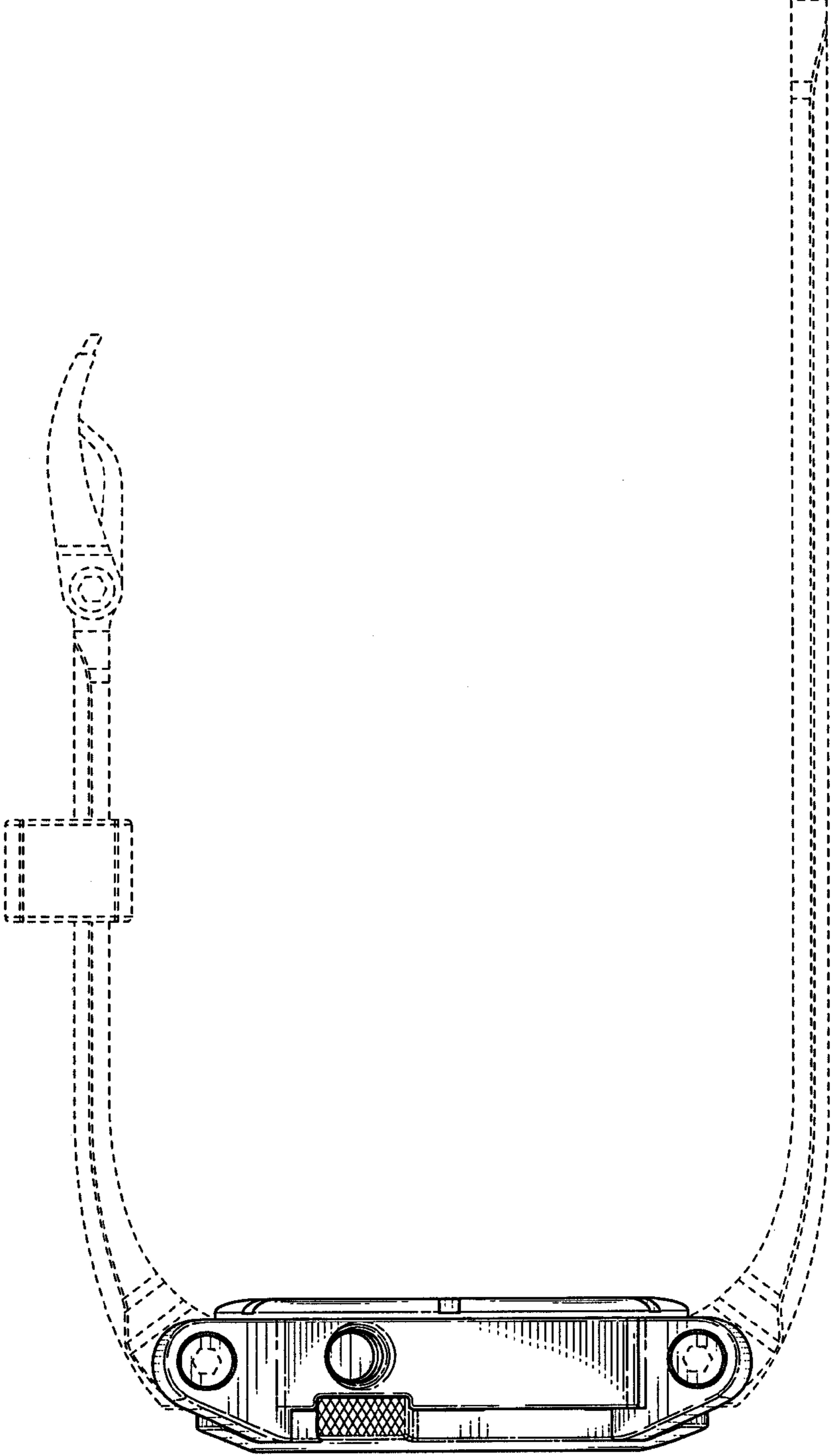


FIG. 5

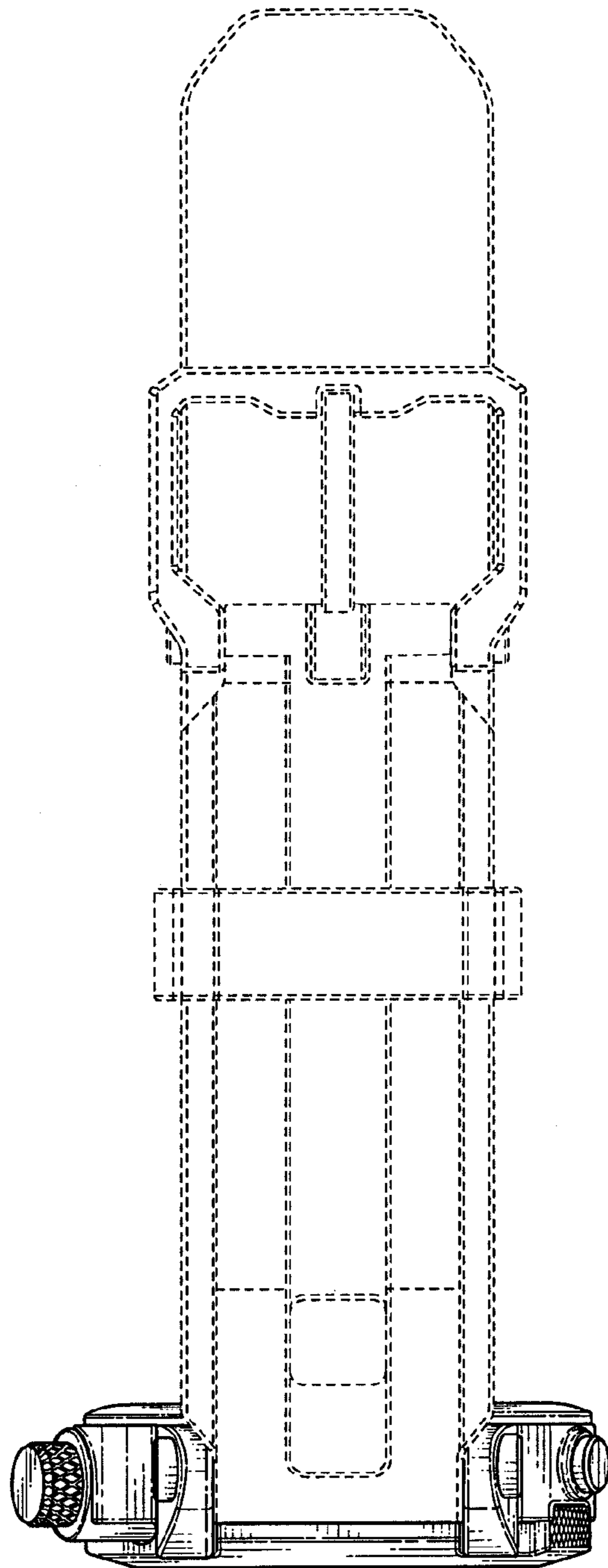


FIG. 6

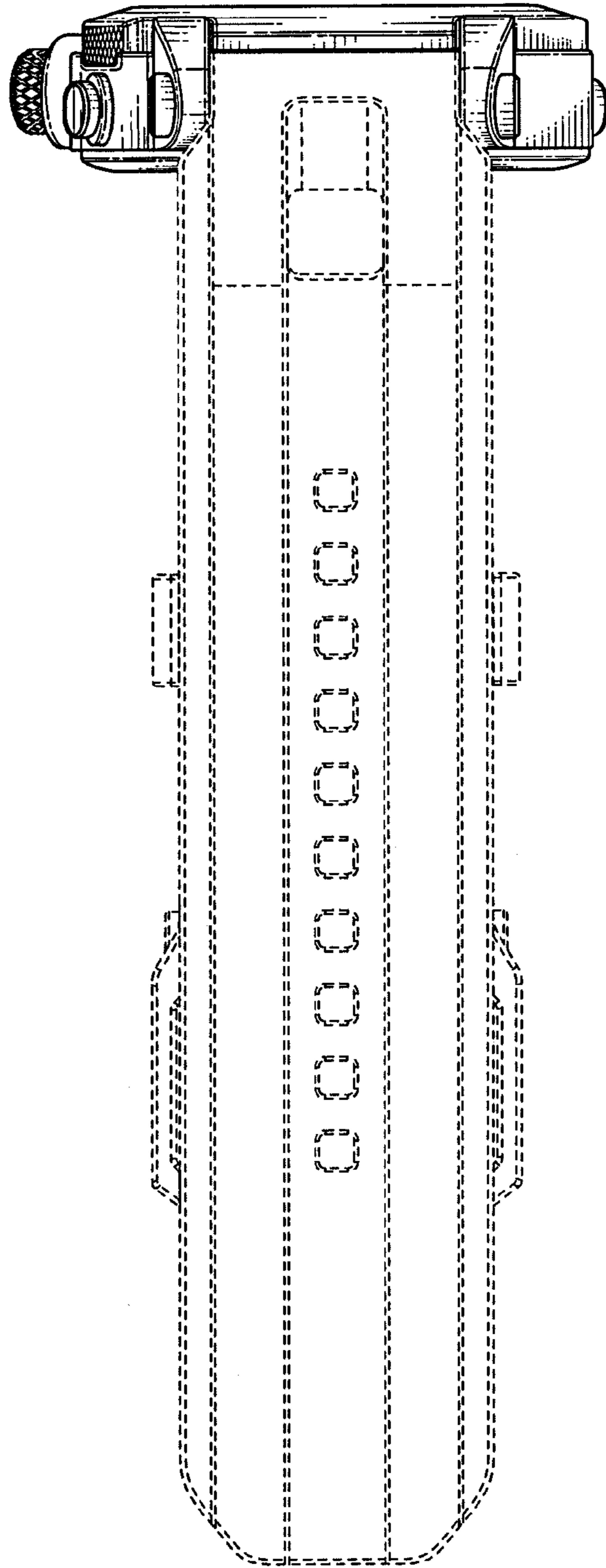


FIG. 7