



US00D744864S

(12) **United States Design Patent**
Behling

(10) **Patent No.:** **US D744,864 S**
(45) **Date of Patent:** **** Dec. 8, 2015**

(54) **WATCH CASE**

(71) Applicant: **LVMH Swiss Manufactures SA**, La Chaux-de-Fonds (CH)

(72) Inventor: **Christoph Behling**, London (GB)

(73) Assignee: **LVMH Swiss Manufactures SA**, La Chaux-de-Fonds (CH)

(**) Term: **14 Years**

(21) Appl. No.: **29/469,778**

(22) Filed: **Oct. 15, 2013**

(30) **Foreign Application Priority Data**

Apr. 17, 2013 (CH) 733913101

(51) **LOC (10) Cl.** **10-02**

(52) **U.S. Cl.**
USPC **D10/30; D10/38**

(58) **Field of Classification Search**
USPC D10/30-39, 1-29, 122-132
CPC G04B 3/048; G04B 37/00; G04B 37/0008;
G04B 37/0058; G04B 37/12; G04B 45/00
See application file for complete search history.

(56) **References Cited**

U.S. PATENT DOCUMENTS

D357,192 S * 4/1995 Schneider D10/32
D358,101 S * 5/1995 Scheufele D10/32
5,473,580 A * 12/1995 Gilomen et al. 368/28
6,570,823 B1 * 5/2003 Gilomen et al. 368/113

D517,927 S * 3/2006 Enomoto et al. D10/32
D520,384 S * 5/2006 Scheufele D10/39
D536,627 S * 2/2007 Behling D10/38
D536,628 S * 2/2007 Roth D10/38
D540,195 S * 4/2007 Nussbaumer D10/31
D568,769 S * 5/2008 Emch Ducommun D10/32
7,905,655 B2 * 3/2011 Jolidon 368/101
D655,630 S * 3/2012 Behling D10/38
8,235,587 B2 * 8/2012 Hiranuma et al. 368/295
D686,092 S * 7/2013 Schoepfer D10/39
D692,322 S * 10/2013 Behling D10/39

* cited by examiner

Primary Examiner — Martie K Holtje

(74) *Attorney, Agent, or Firm* — Mark S. Leonardo; Brown Rudnick LLP

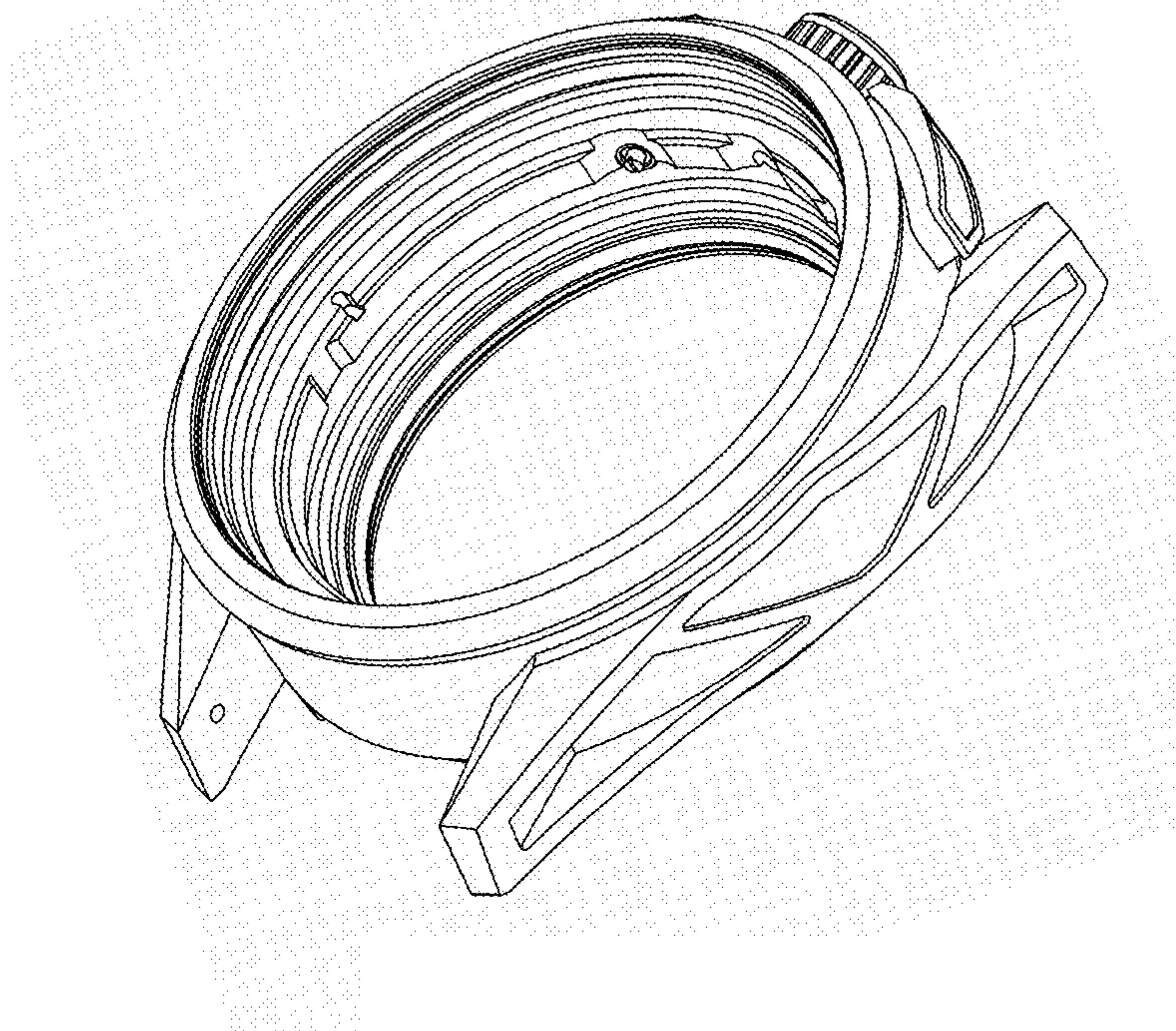
(57) **CLAIM**

The ornamental design for a watch case, as shown and described.

DESCRIPTION

FIG. 1 is a front perspective view of a watch case showing my new design;
FIG. 2 is a front elevational view thereof;
FIG. 3 is a rear elevational view thereof;
FIG. 4 is a right side elevational view thereof;
FIG. 5 is a left side elevational view thereof;
FIG. 6 is a top plan view thereof; and,
FIG. 7 is a bottom plan view thereof.
The structural features depicted with broken lines in FIGS. 3-7 have been shown for the purpose of illustrating portions of the watch case and dial that form no part of the claimed design.

1 Claim, 6 Drawing Sheets



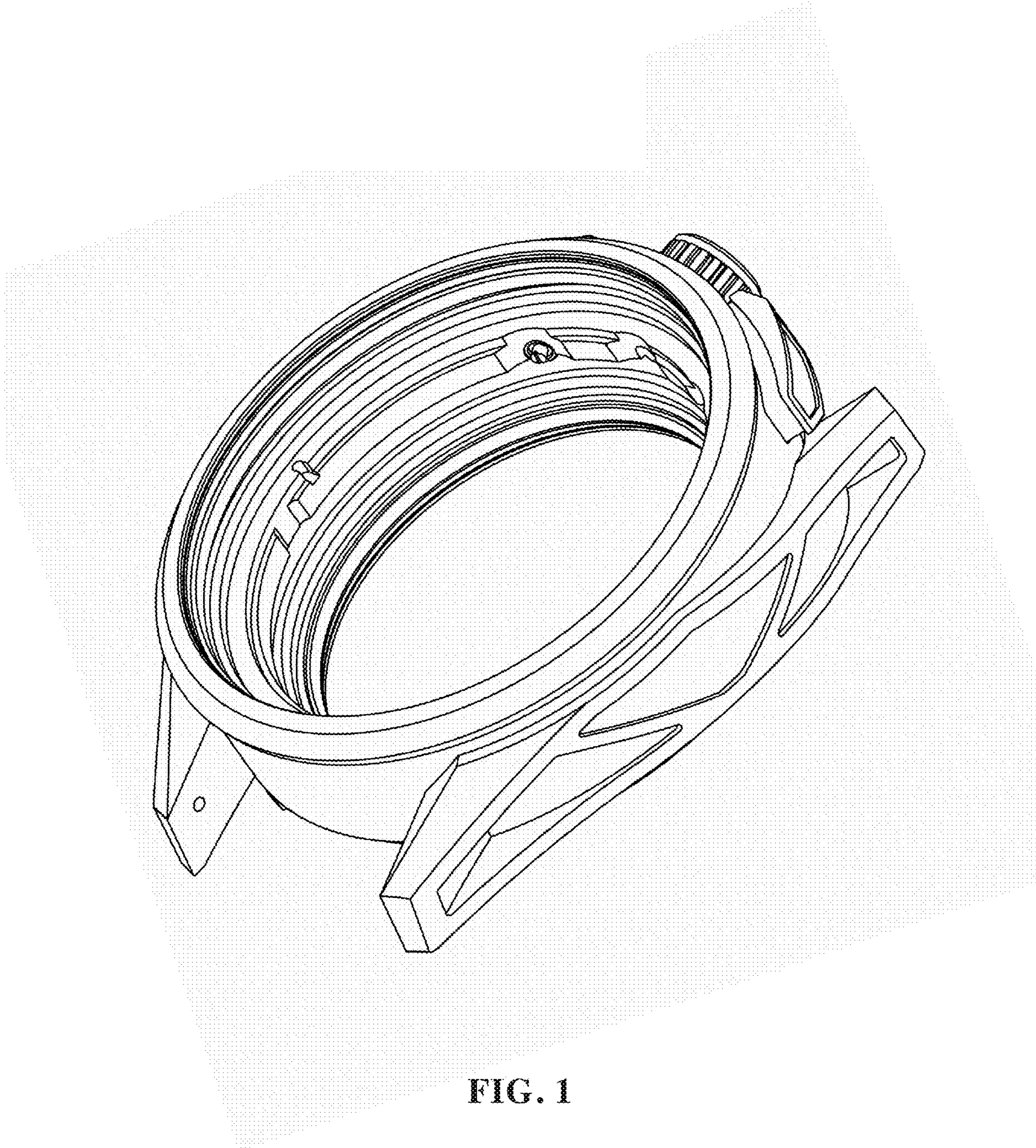


FIG. 1

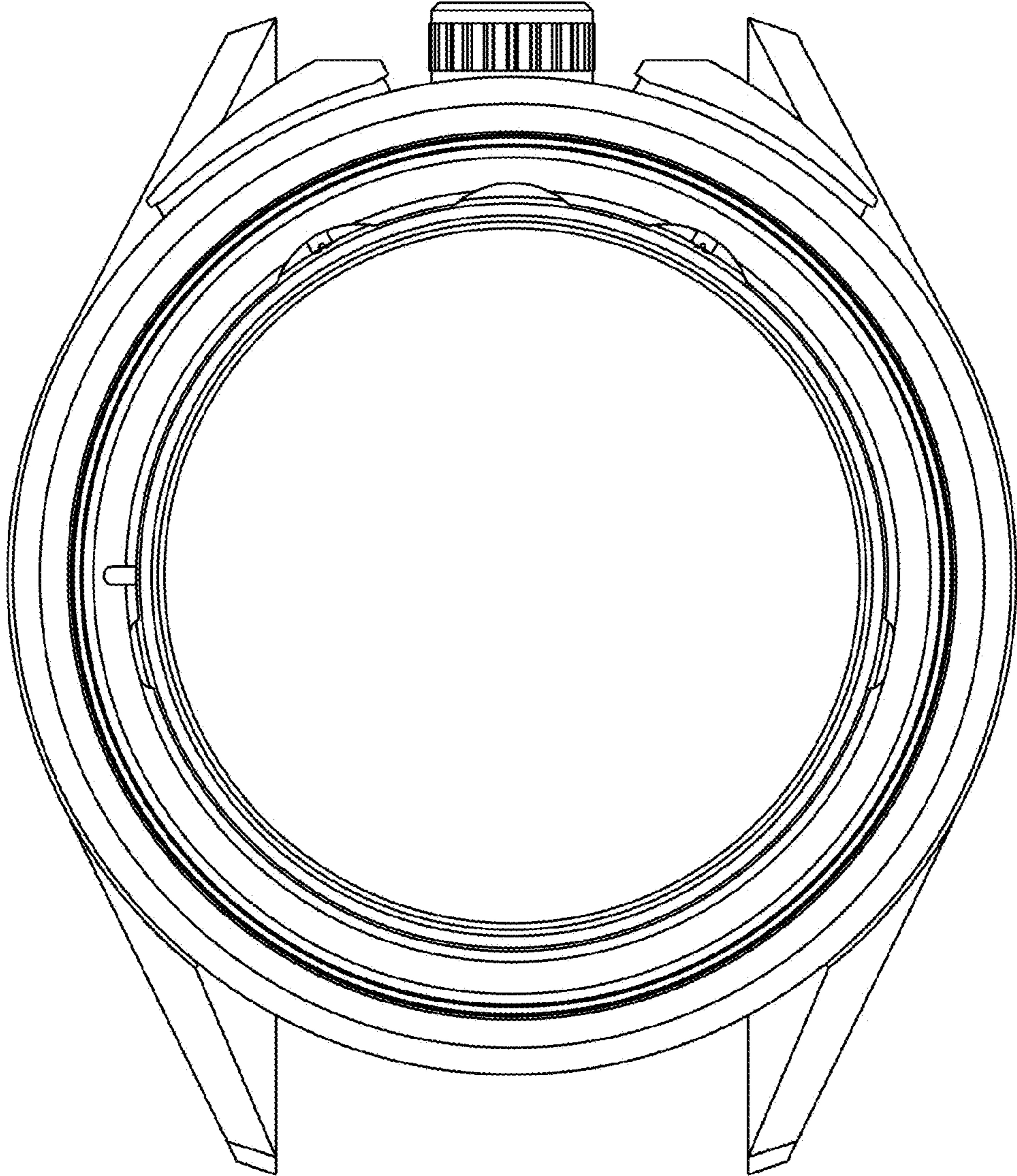


FIG. 2

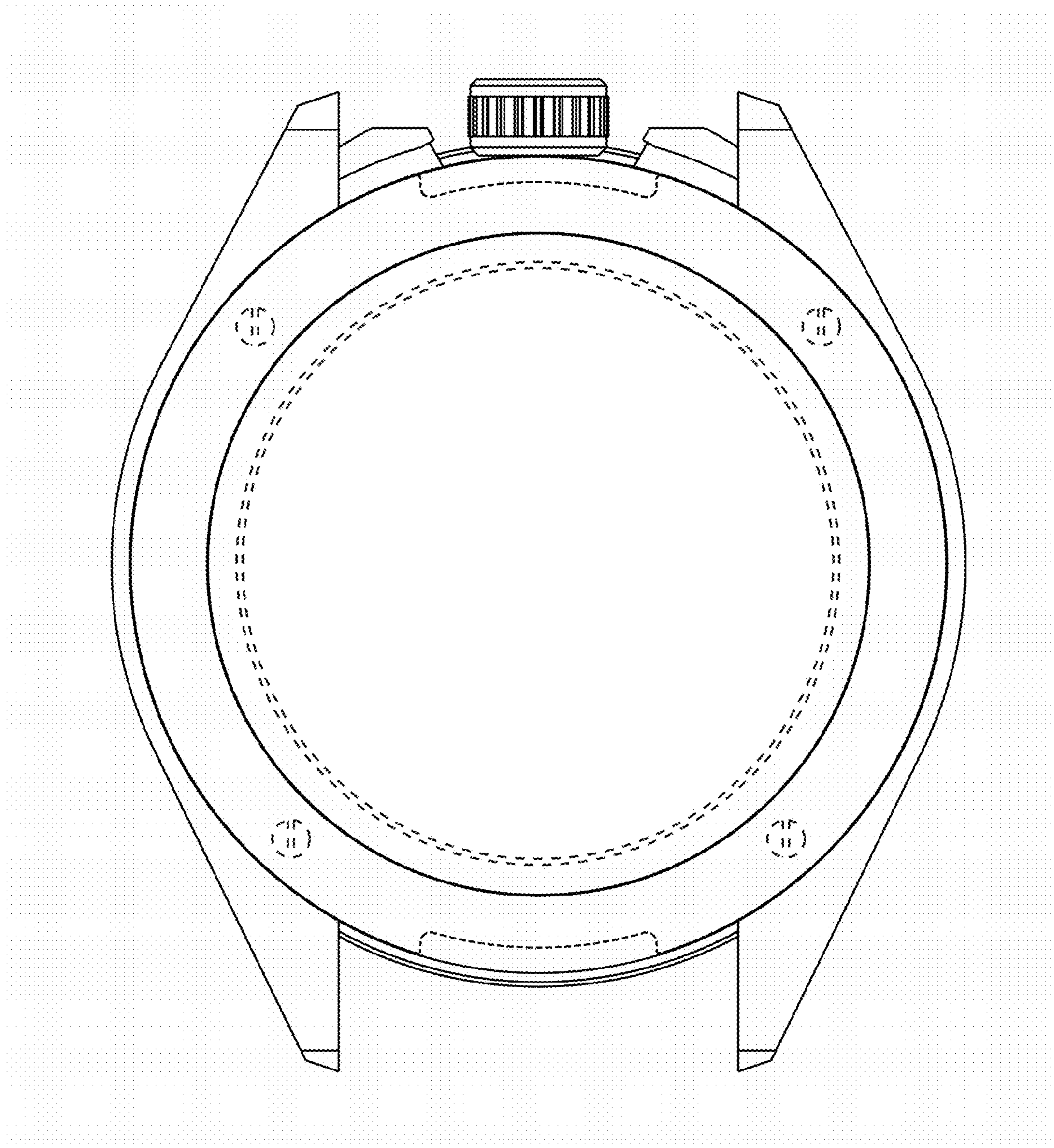


FIG. 3

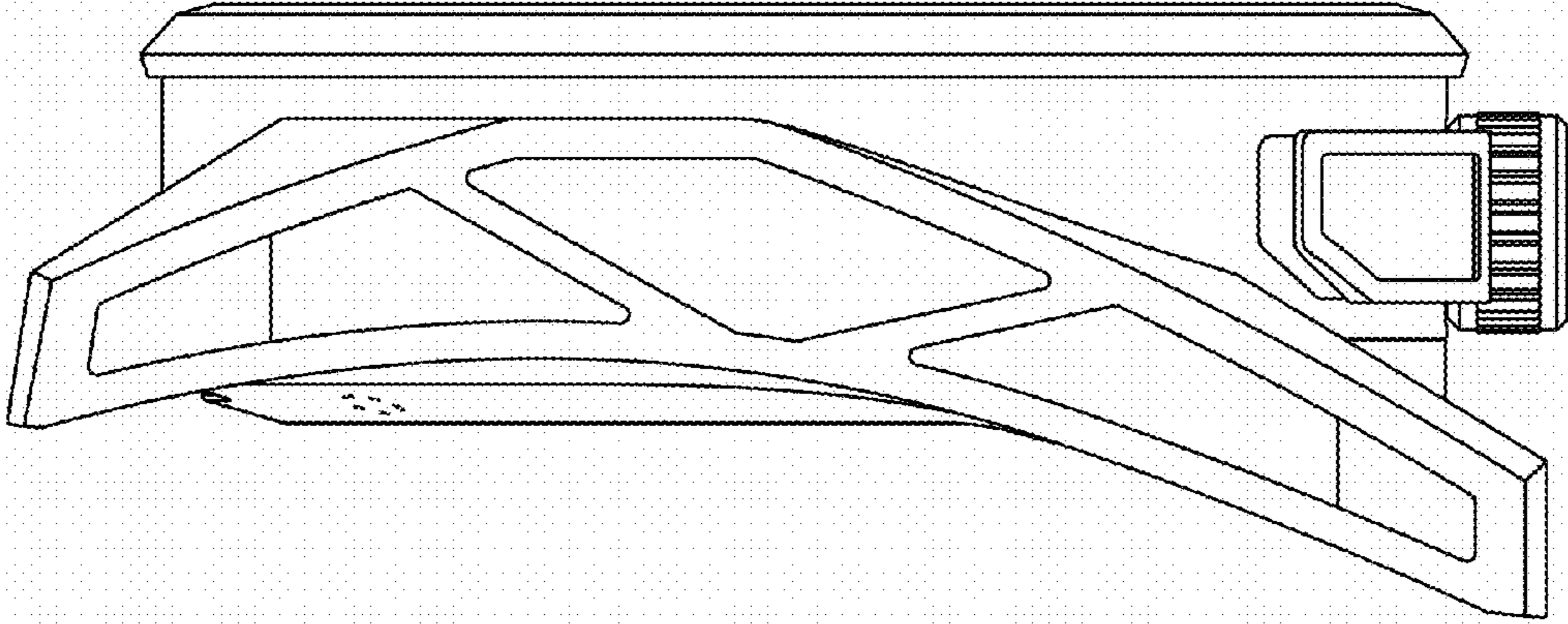


FIG. 4

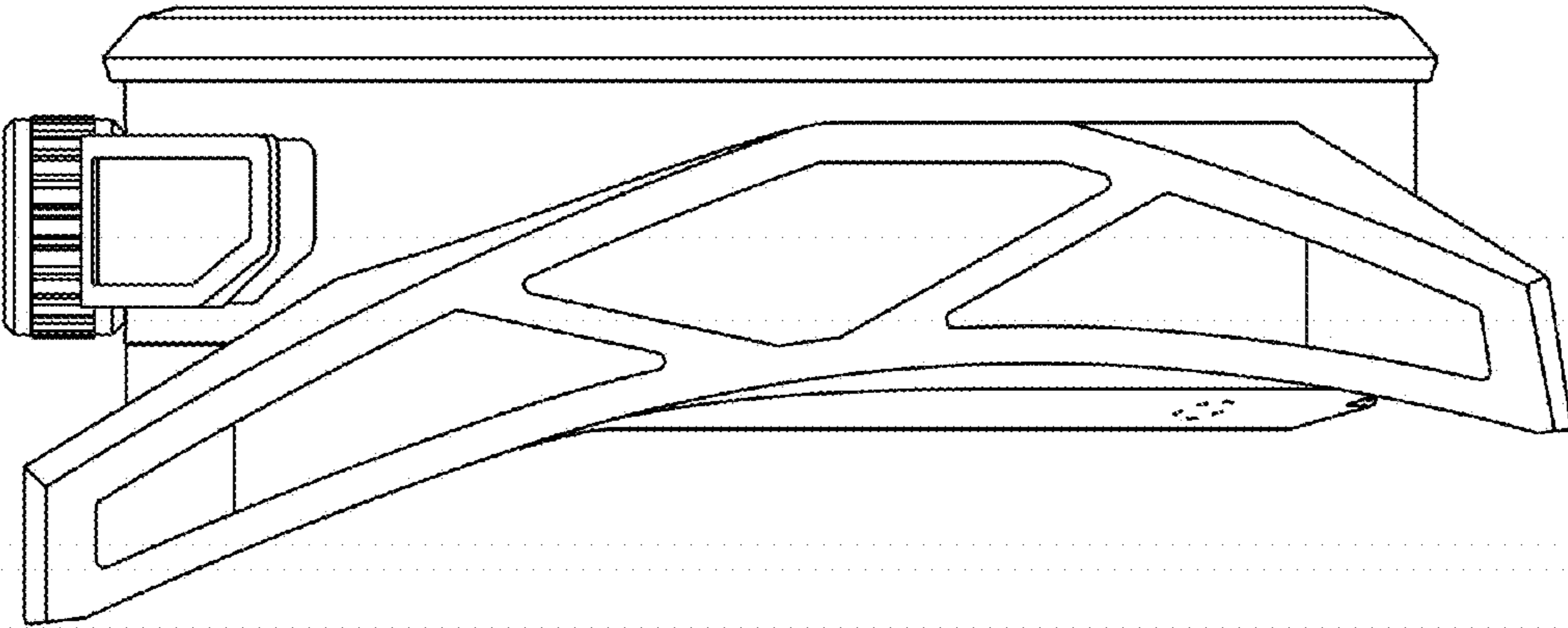


FIG. 5

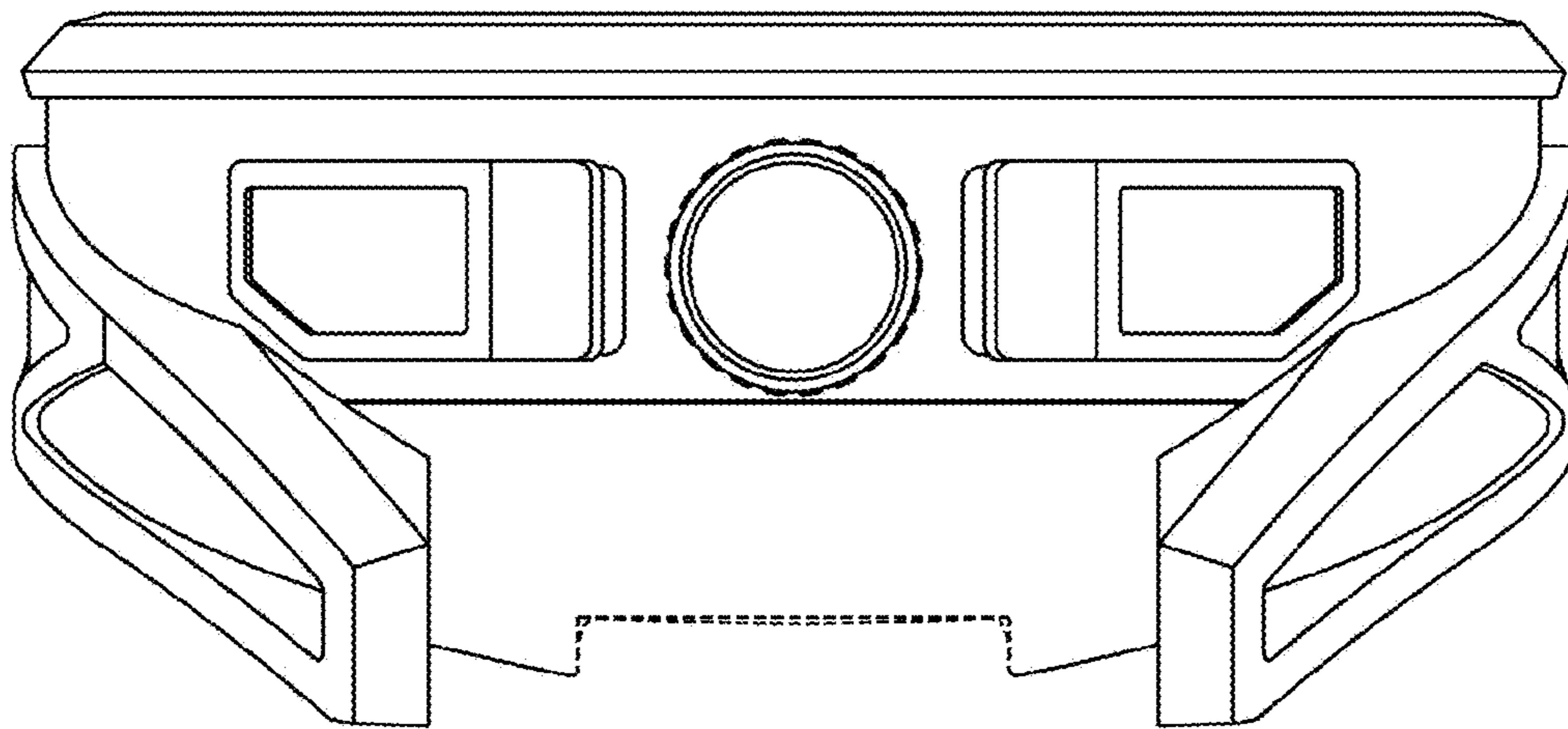


FIG. 6

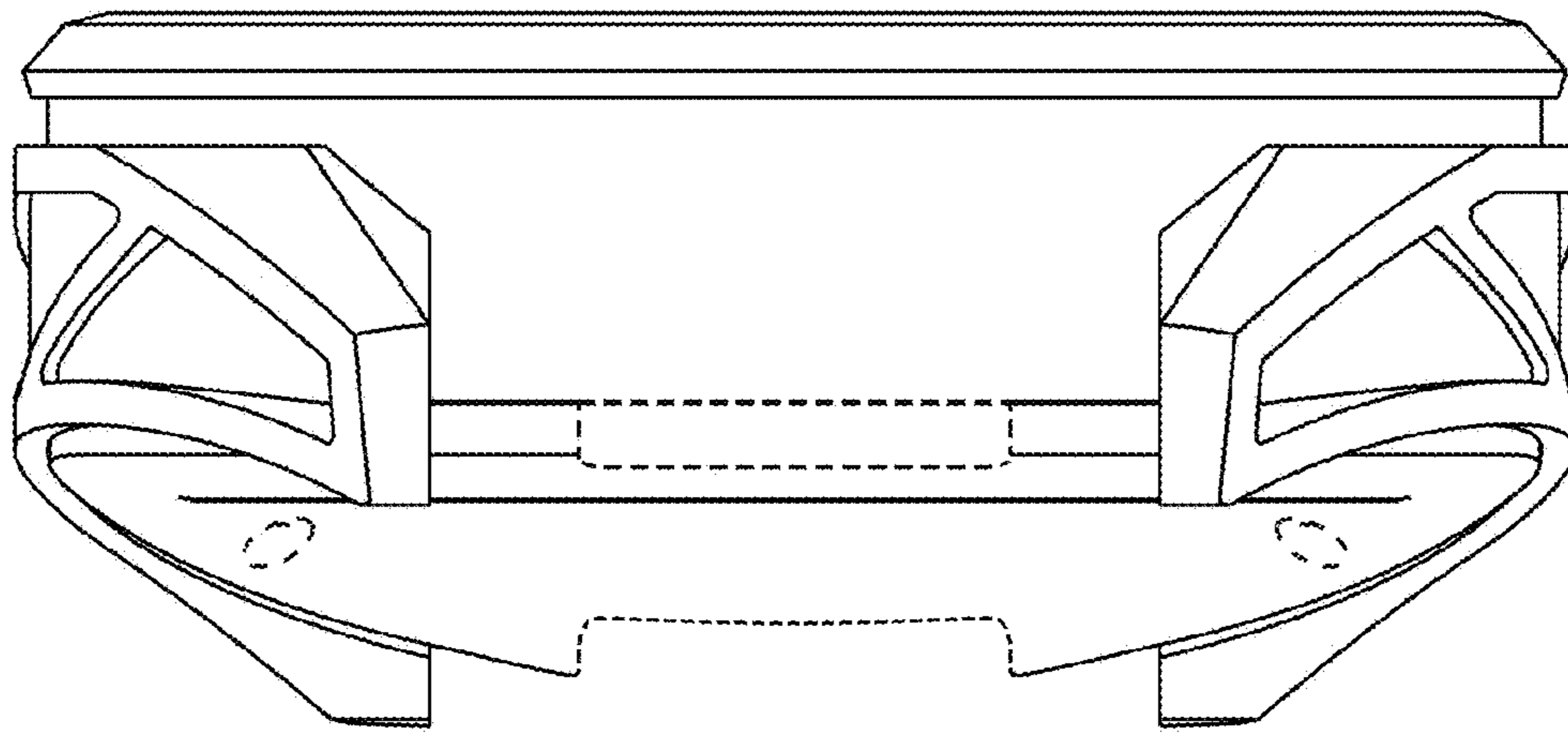


FIG. 7