



US00D744863S

(12) **United States Design Patent**
Behling

(10) **Patent No.:** **US D744,863 S**
(45) **Date of Patent:** **** Dec. 8, 2015**

- (54) **WATCH CASE AND DIAL**
- (71) Applicant: **LVMH Swiss Manufactures SA, La Chaux-de-Fonds (CH)**
- (72) Inventor: **Christoph Behling, London (GB)**
- (73) Assignee: **LVMH Swiss Manufactures SA, La Chaux-de-Fonds (CH)**
- (**) Term: **14 Years**
- (21) Appl. No.: **29/469,776**
- (22) Filed: **Oct. 15, 2013**

D520,384	S	*	5/2006	Scheufele	D10/39
D536,627	S	*	2/2007	Behling	D10/38
D536,628	S	*	2/2007	Roth	D10/38
D540,195	S	*	4/2007	Nussbaumer	D10/31
D568,769	S	*	5/2008	Emch Ducommun	D10/32
D619,486	S	*	7/2010	Cerrato	D10/126
D625,639	S	*	10/2010	Kamata	D10/126
7,905,655	B2	*	3/2011	Jolidon	368/101
D655,630	S	*	3/2012	Behling	D10/38
D662,848	S	*	7/2012	Ganz	D10/126
8,235,587	B2	*	8/2012	Hiranuma et al.	368/295
D686,092	S	*	7/2013	Schoepfer	D10/39
D687,329	S	*	8/2013	Hamel	D10/126
D692,322	S	*	10/2013	Behling	D10/39
2012/0182838	A1	*	7/2012	Farron et al.	368/18

* cited by examiner

(30) **Foreign Application Priority Data**

Apr. 17, 2013 (CH) 733913101

(51) **LOC (10) Cl.** **10-02**

(52) **U.S. Cl.**
USPC **D10/30; D10/39; D10/126**

(58) **Field of Classification Search**
USPC D10/30-39, 1-29, 122-132
CPC G04B 3/048; G04B 19/00; G04B 19/06;
G04B 19/10; G04B 19/24; G04B 37/00;
G04B 37/0008; G04B 37/0058; G04B 45/00;
G04B 47/06; G04B 49/00; G04F 7/08; G04F
7/0804; G04F 7/0866; G04F 7/0871
See application file for complete search history.

(56) **References Cited**

U.S. PATENT DOCUMENTS

D357,192	S	*	4/1995	Schneider	D10/32
D358,101	S	*	5/1995	Scheufele	D10/32
5,473,580	A	*	12/1995	Gilomen et al.	368/28
6,570,823	B1	*	5/2003	Gilomen et al.	368/113
D517,432	S	*	3/2006	Laucella	D10/39
D517,927	S	*	3/2006	Enomoto et al.	D10/32

Primary Examiner — Martie K Holtje

(74) *Attorney, Agent, or Firm* — Mark S. Leonardo; Brown Rudnick LLP

(57) **CLAIM**

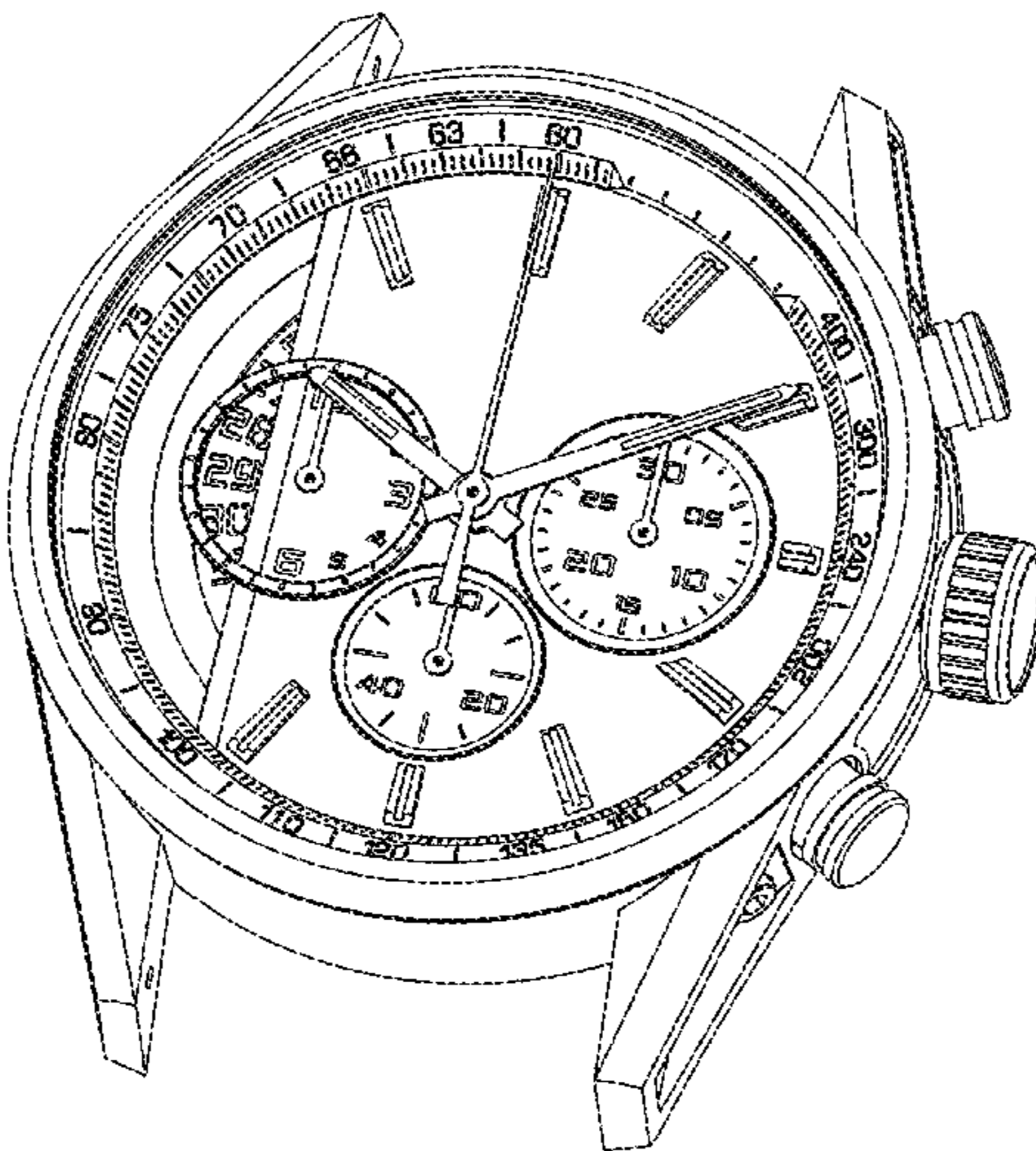
The ornamental design for a watch case and dial, as shown and described.

DESCRIPTION

FIG. 1 is a front perspective view of a watch case and dial showing my new design;
FIG. 2 is a front elevational view thereof;
FIG. 3 is a rear elevational view thereof;
FIG. 4 is a left side elevational view thereof;
FIG. 5 is a right side elevational view thereof;
FIG. 6 is a bottom plan view thereof; and,
FIG. 7 is a top plan view thereof.

The structural features depicted with broken lines in FIGS. 3, 6, and 7 have been shown for the purpose of illustrating portions of the watch case and dial that form no part of the claimed design.

1 Claim, 5 Drawing Sheets



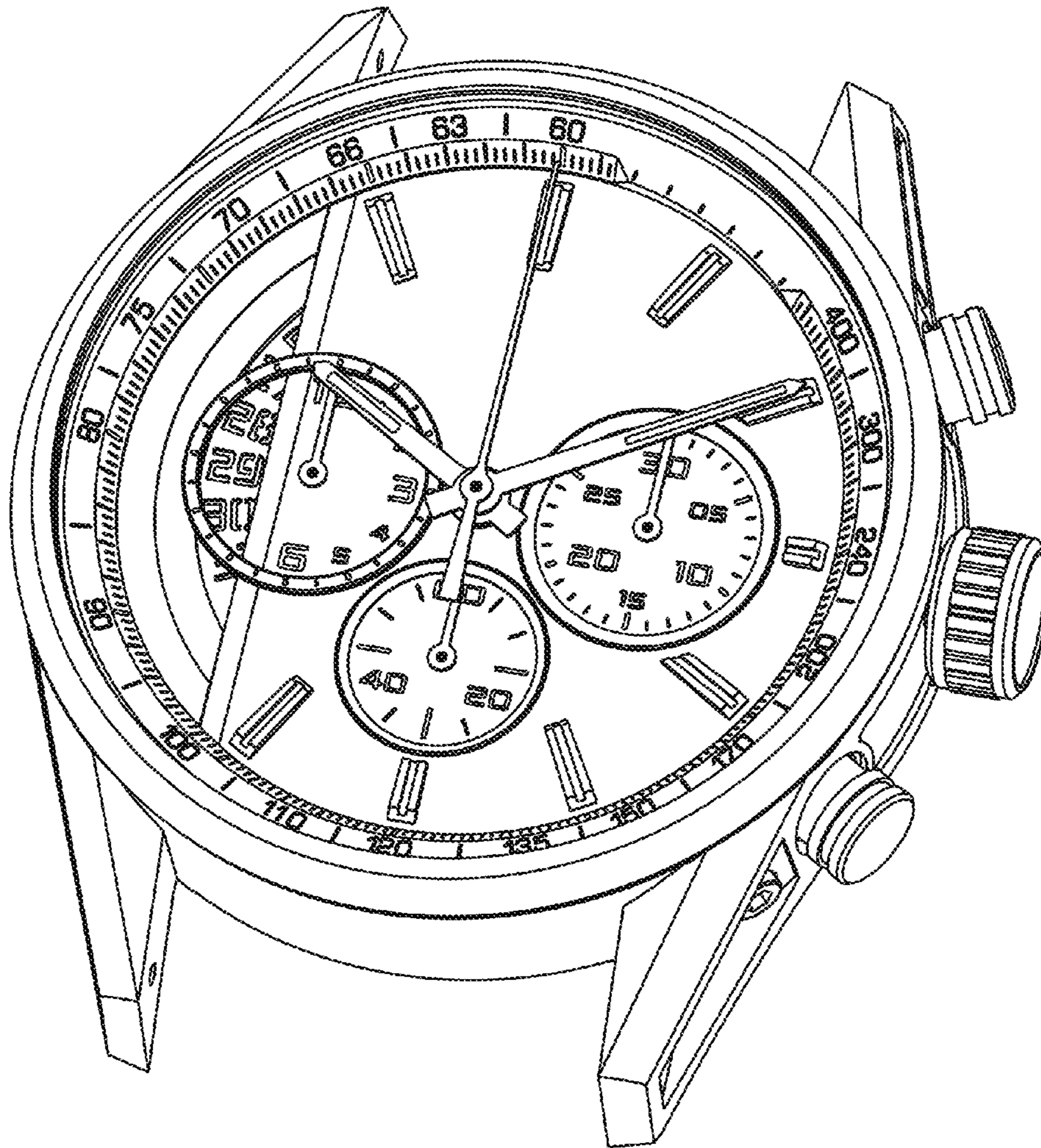


FIG. 1



FIG. 2

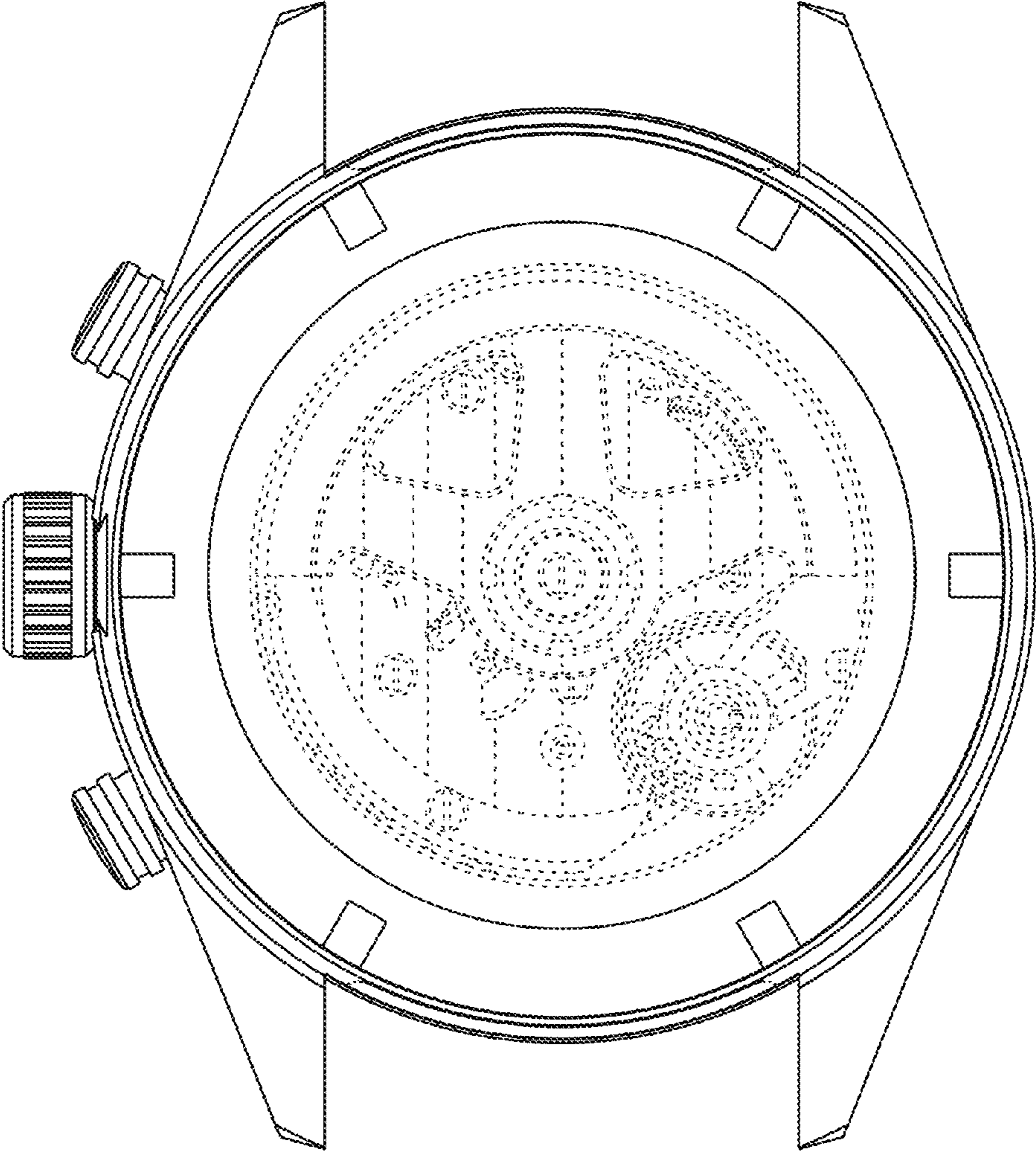


FIG. 3

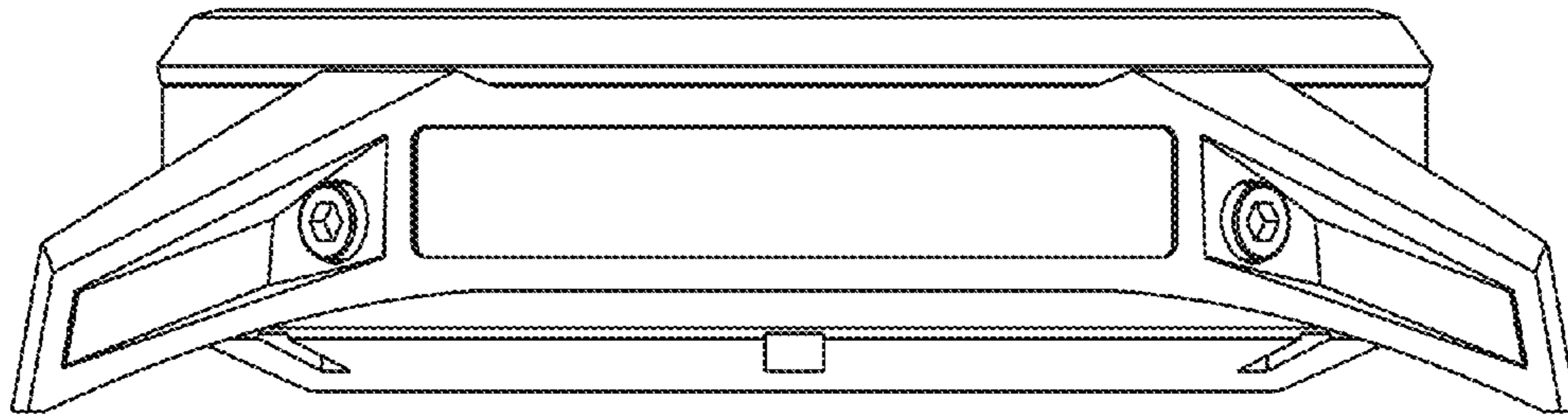


FIG. 4

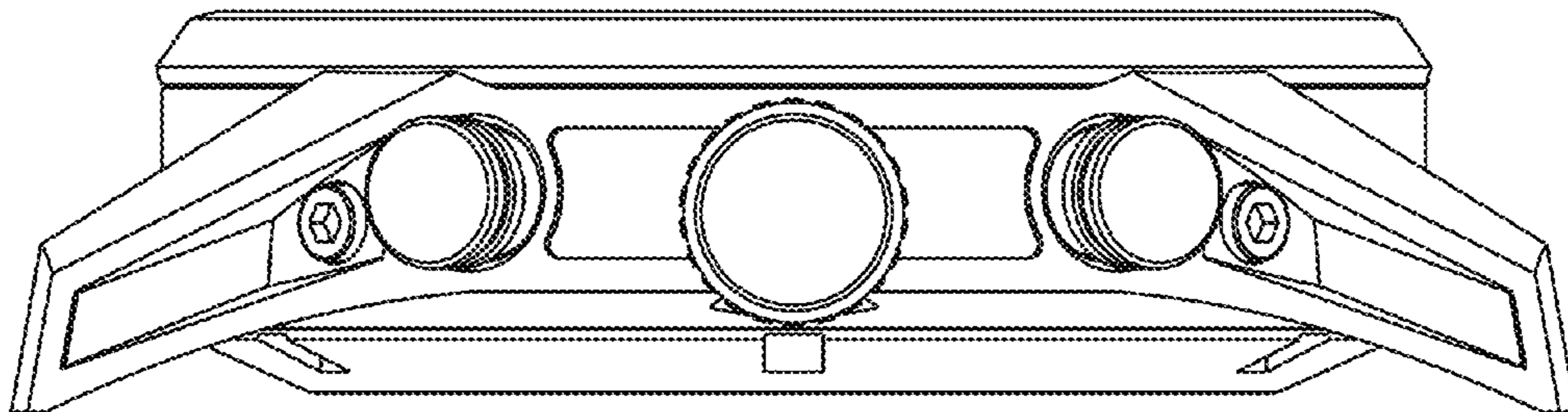


FIG. 5

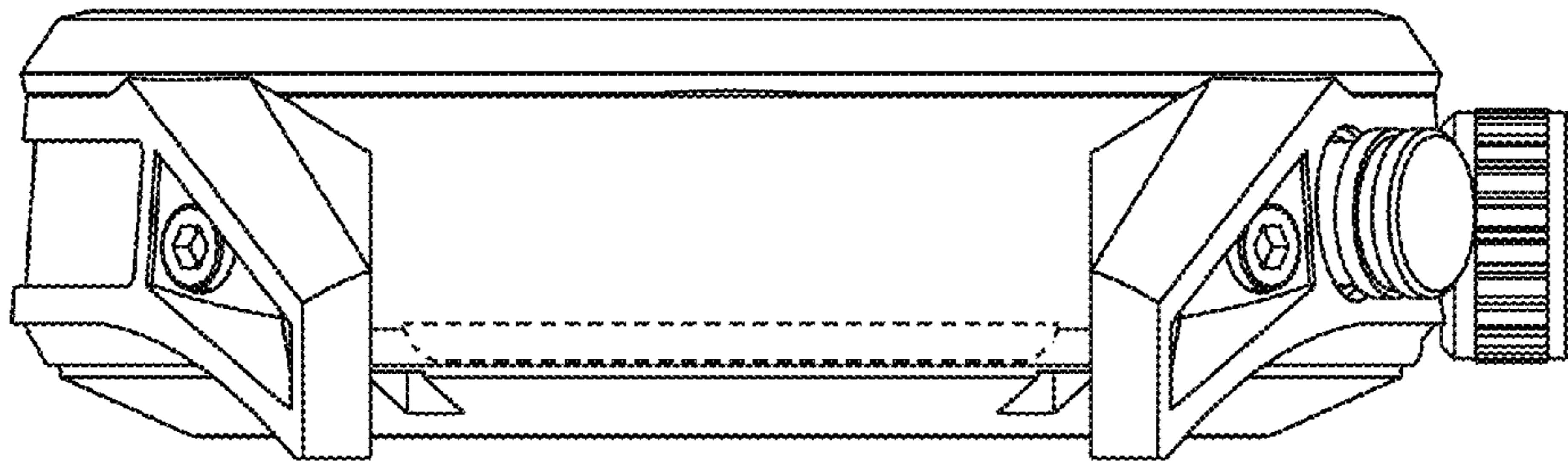


FIG. 6

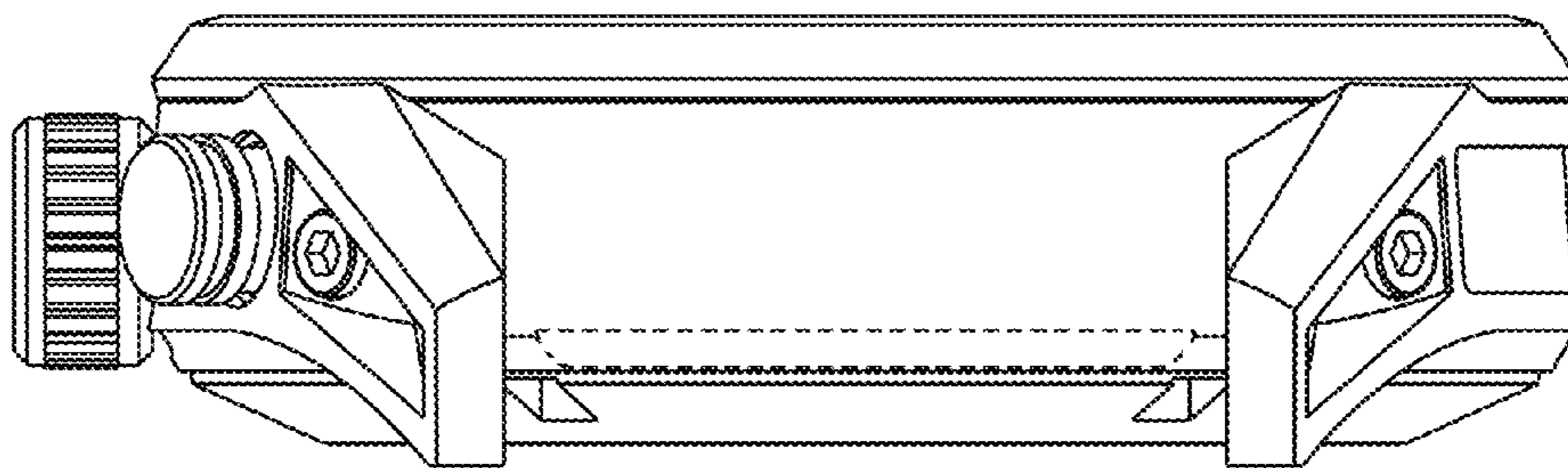


FIG. 7