

US00D744859S

(12) **United States Design Patent**  
**Walker et al.**

(10) **Patent No.:** **US D744,859 S**  
(45) **Date of Patent:** **\*\* Dec. 8, 2015**

- (54) **HOT DOG CONCESSION CARRIER**
- (71) Applicants: **Steven Paul Walker**, Sunbury, OH (US);  
**Nicole Renee Herd-Walker**, Sunbury,  
OH (US)
- (72) Inventors: **Steven Paul Walker**, Sunbury, OH (US);  
**Nicole Renee Herd-Walker**, Sunbury,  
OH (US)
- (\*\*) Term: **14 Years**
- (21) Appl. No.: **29/438,572**
- (22) Filed: **Nov. 30, 2012**
- (51) **LOC (10) Cl.** ..... **09-03**
- (52) **U.S. Cl.**  
USPC ..... **D9/761**
- (58) **Field of Classification Search**  
USPC ..... D9/761, 571; D7/550.1, 551.1, 556,  
D7/563, 564, 567, 566, 571, 601, 602, 606,  
D7/702; 206/562, 815; 220/556; 229/904  
CPC ..... A47G 19/065; B65D 1/34  
See application file for complete search history.

(56) **References Cited**

**U.S. PATENT DOCUMENTS**

1,423,001 A	7/1922	Maxwell	
D138,358 S	4/1944	Weeks	
3,094,264 A	6/1963	Petrone	
3,955,672 A *	5/1976	Brundage	206/562
D249,218 S	9/1978	Mathison	
D252,938 S	9/1979	Binderup	
D274,299 S	6/1984	Kessler	
D286,487 S	11/1986	Laslo	
D298,296 S *	11/1988	Washburn et al.	D7/553.8
4,867,331 A *	9/1989	Task	220/23.8
D313,728 S	1/1991	Oropeza	
D322,759 S	12/1991	Groves	
5,152,398 A *	10/1992	Forestal et al.	206/561
D338,596 S	8/1993	Cafarella	
D363,645 S	10/1995	Smith	
D373,027 S	8/1996	Hulback	
D373,510 S	9/1996	Smith	

D373,933 S *	9/1996	Gibbs, III	D7/555
D376,297 S *	12/1996	Jacobson	D7/552.2
D376,732 S	12/1996	Smith	
D398,481 S *	9/1998	Brown et al.	D7/554.2
6,129,235 A *	10/2000	Creske	220/575
D483,227 S	12/2003	Oas	
7,000,799 B1 *	2/2006	Hamre	220/556
D533,386 S	12/2006	Lesniak	
D535,157 S	1/2007	Hoehne	
D557,987 S	12/2007	Hoehne	
D561,538 S	2/2008	Hall	
D591,175 S	4/2009	Larson	
D610,877 S	3/2010	Cooper	
D614,449 S	4/2010	Cooper	
7,802,693 B2 *	9/2010	Kuhn	220/575
D629,654 S *	12/2010	Moon	D7/552.1

(Continued)

**OTHER PUBLICATIONS**

U.S. Appl. No. 29/438,582, filed Nov. 30, 2012, Walker.

*Primary Examiner* — Mark Goodwin

(74) *Attorney, Agent, or Firm* — Bryce D. Miracle; Miracle IP

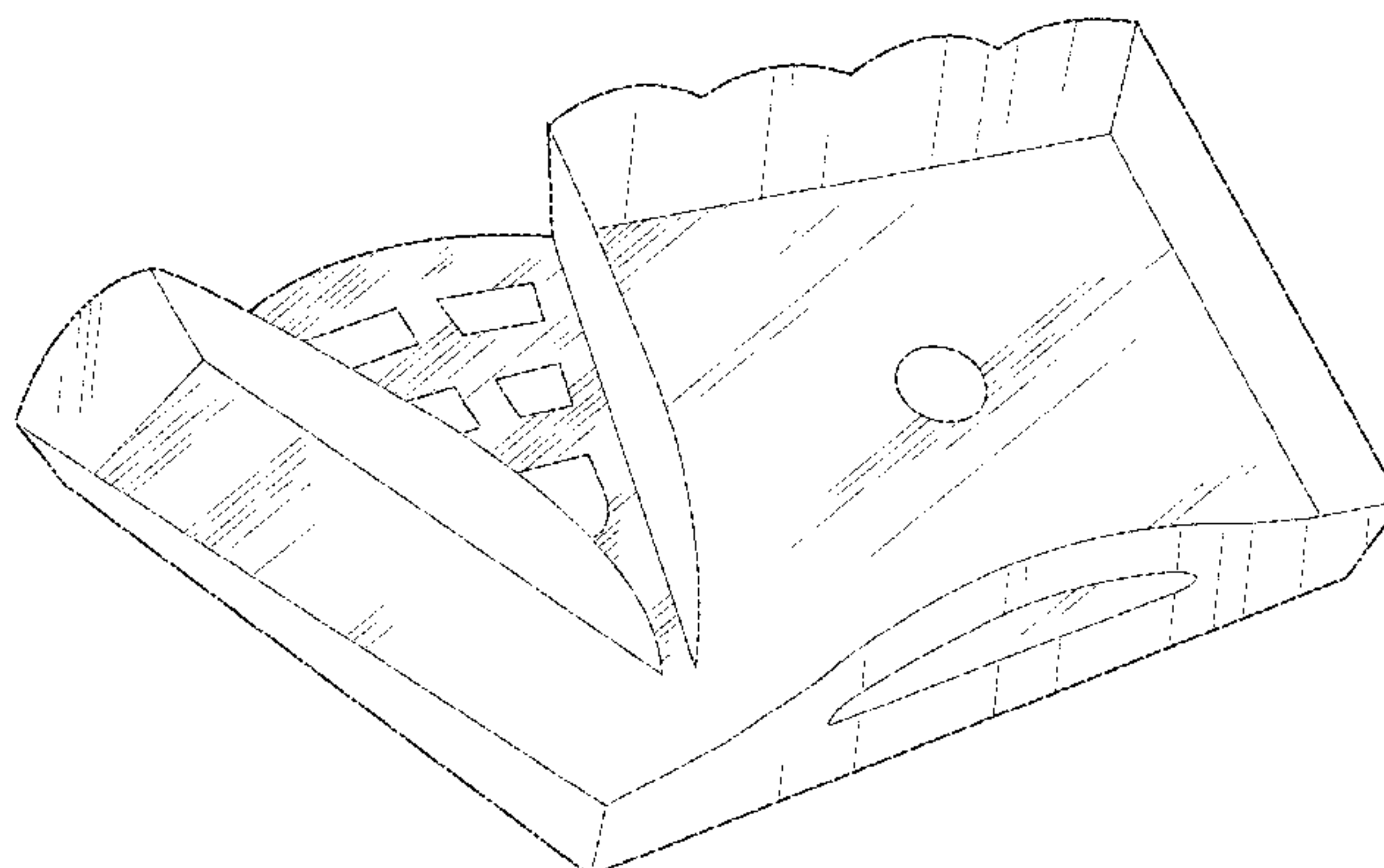
(57) **CLAIM**

The ornamental design for a hot dog concession carrier, as shown and described.

**DESCRIPTION**

FIG. 1 is a perspective view of a hot dog concession carrier showing my new design;  
 FIG. 2 is a top plan view thereof;  
 FIG. 3 is a front elevation view thereof;  
 FIG. 4 is a back elevation view thereof;  
 FIG. 5 is a bottom plan view thereof;  
 FIG. 6 is a perspective view thereof shown in use condition; and,  
 FIG. 7 is another perspective view thereof shown in use condition holding a plurality of hot dogs.  
 The objects shown in broken lines form no part of the claimed design and are shown for illustrative purposes.

**1 Claim, 5 Drawing Sheets**



# US D744,859 S

Page 2

---

(56)

## References Cited

### U.S. PATENT DOCUMENTS

D653,502 S	2/2012	Mitchell	
8,746,456 B1 *	6/2014	Bradley	206/562
2009/0120832 A1 *	5/2009	Munden	206/561
D653,084 S *	1/2012	Borghini	D7/553.8

\* cited by examiner

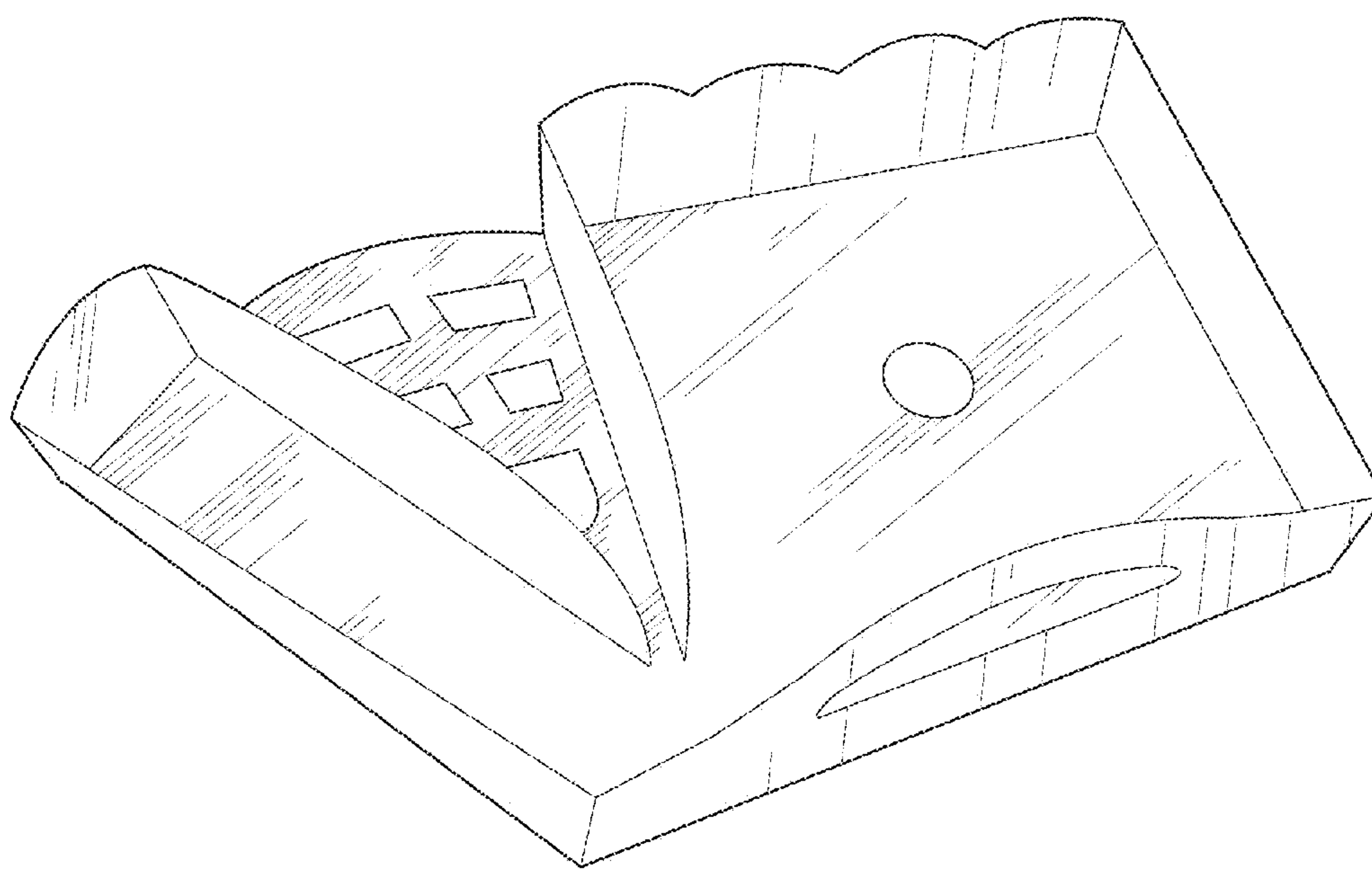


FIG. 1

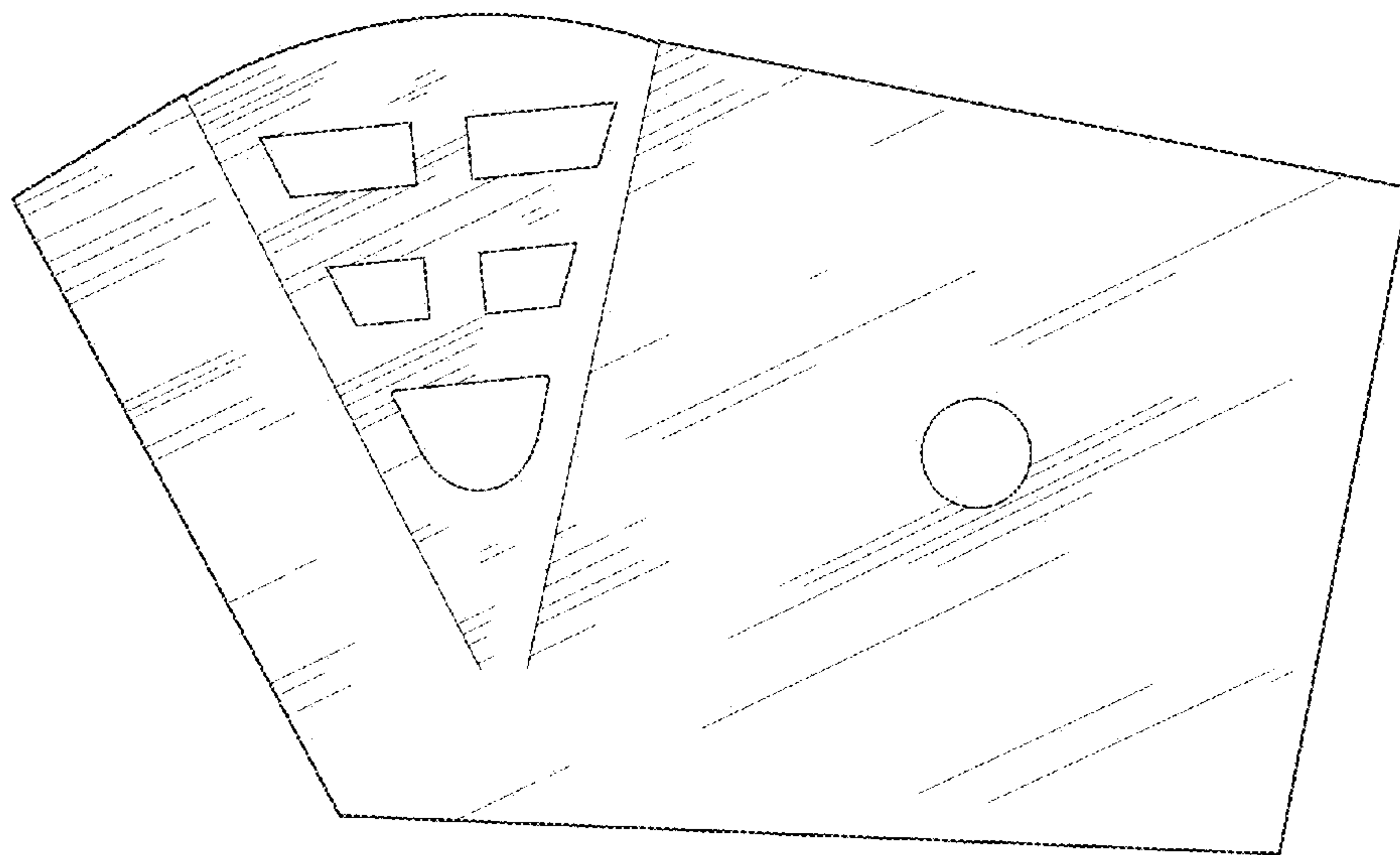


FIG. 2

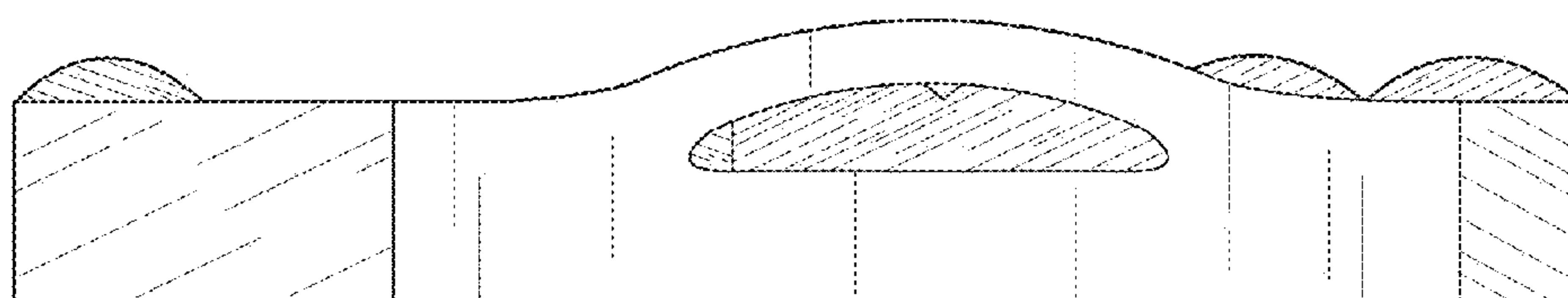


FIG. 3

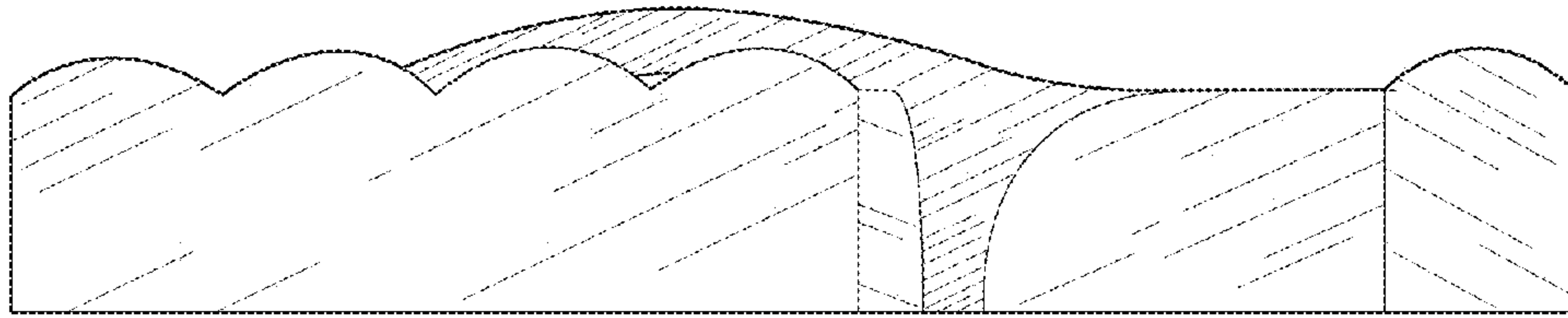


FIG. 4

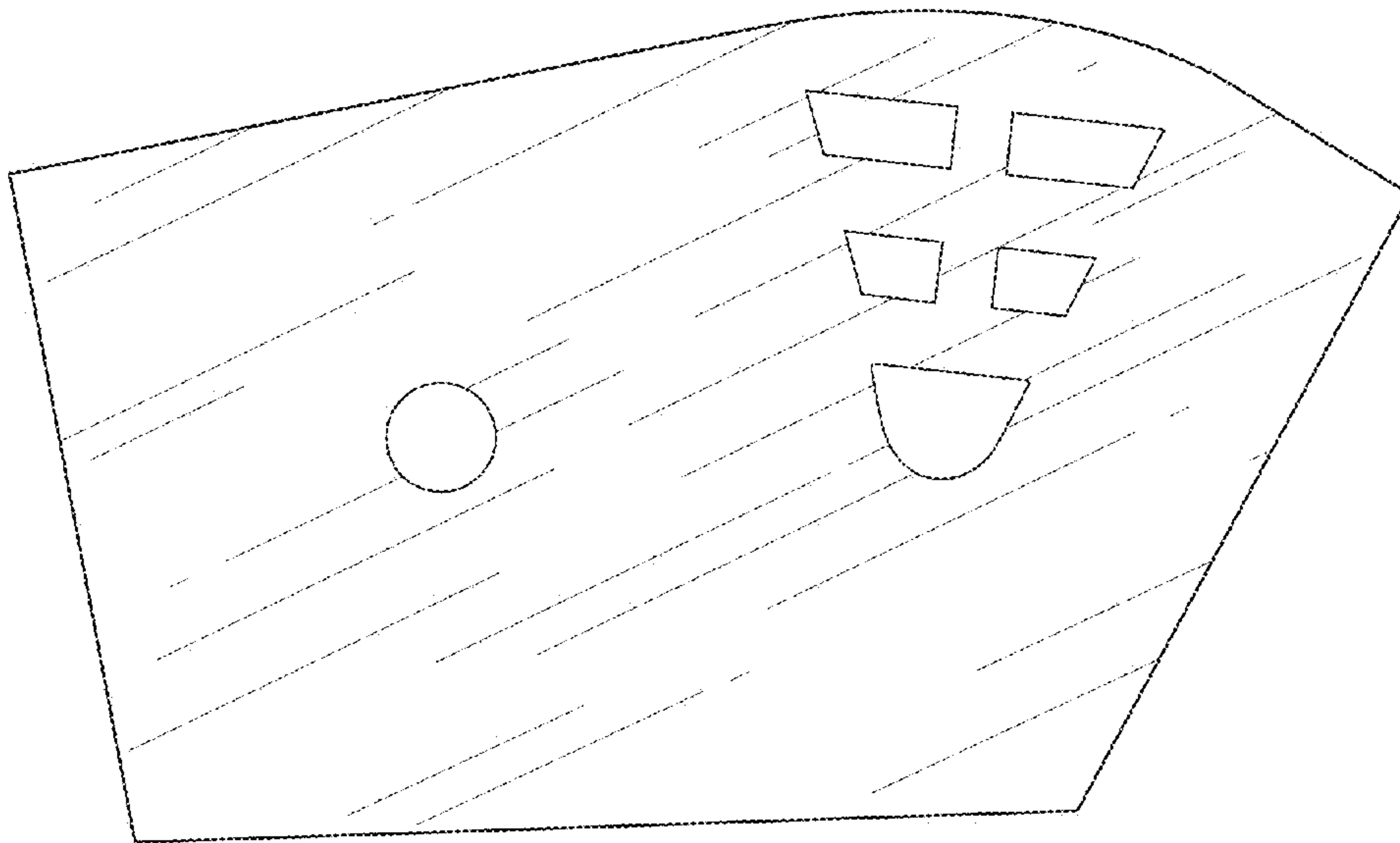


FIG. 5

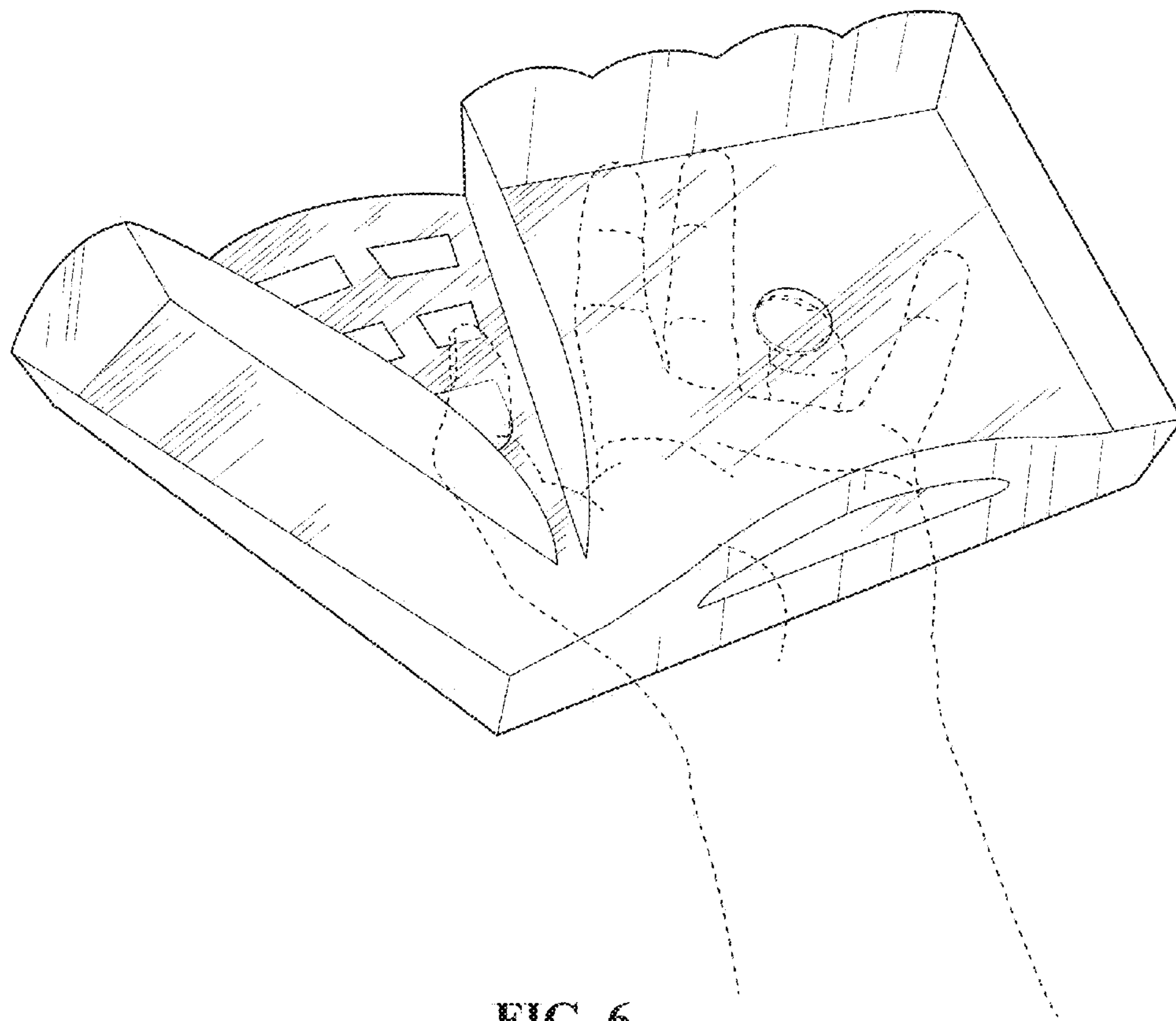


FIG. 6



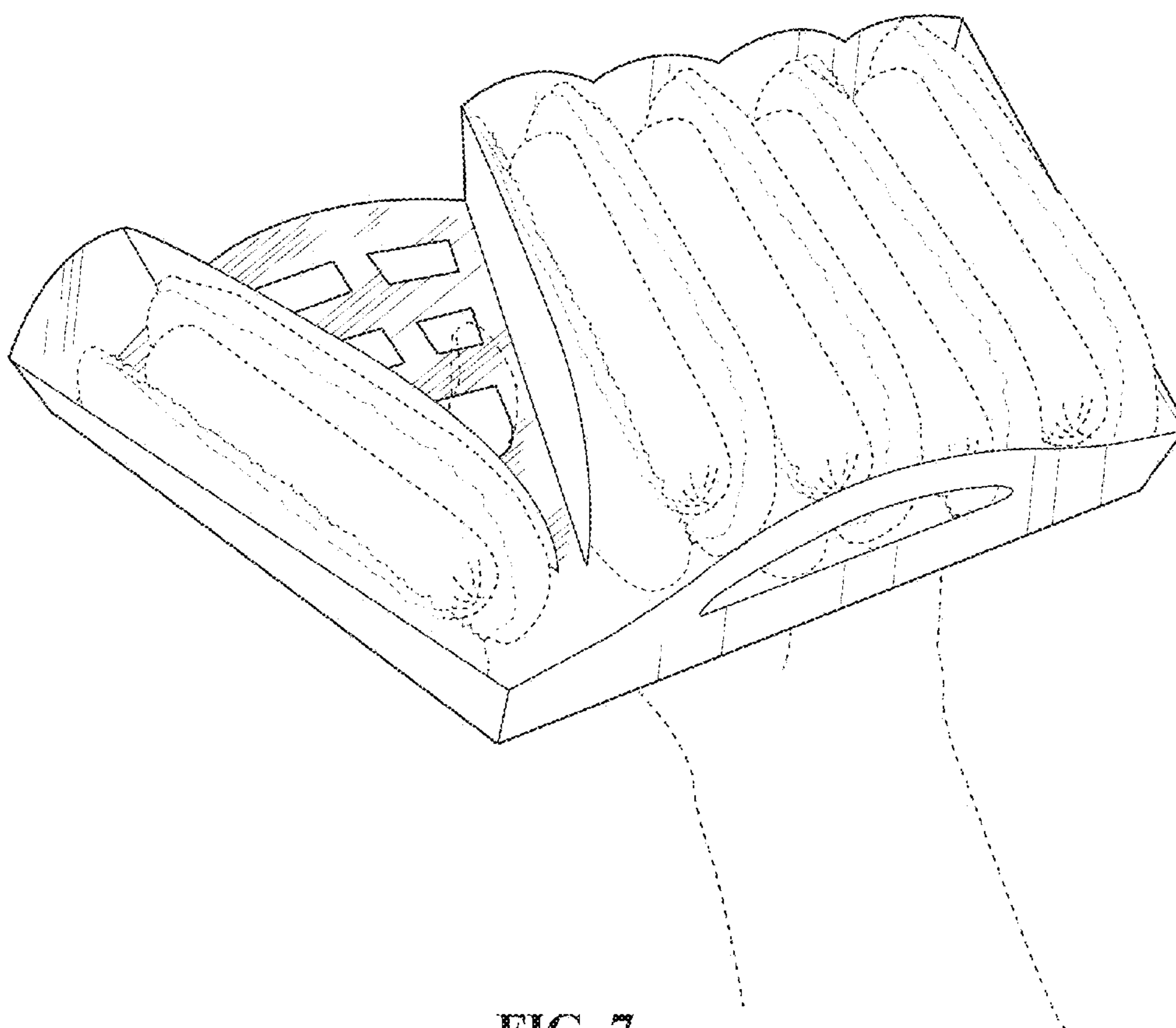


FIG. 7