



US00D744856S

(12) **United States Design Patent**
Stabinsky et al.

(10) **Patent No.:** **US D744,856 S**

(45) **Date of Patent:** **** Dec. 8, 2015**

(54) **LIQUID DISPENSER**

(71) Applicants: **Nickolas Stabinsky**, Glenview, IL (US);
Collin Anderson, Chicago, IL (US);
Tony Abfall, Mount Prospect, IL (US);
Johan G. Abadie, Palatine, IL (US)

(72) Inventors: **Nickolas Stabinsky**, Glenview, IL (US);
Collin Anderson, Chicago, IL (US);
Tony Abfall, Mount Prospect, IL (US);
Johan G. Abadie, Palatine, IL (US)

(73) Assignee: **La Vit Technology LLC**

(**) Term: **14 Years**

(21) Appl. No.: **29/477,165**

(22) Filed: **Dec. 19, 2013**

Related U.S. Application Data

(63) Continuation-in-part of application No. 14/016,184, filed on Sep. 2, 2013, which is a continuation of application No. 12/712,569, filed on Feb. 25, 2010, now Pat. No. 8,523,020.

(51) **LOC (10) Cl.** **09-01**

(52) **U.S. Cl.**
USPC **D9/723**; D9/719

(58) **Field of Classification Search**
USPC D9/500, 502, 503, 504, 529, 565, 719,
D9/723, 724, 726; D32/35, 42, 45; D28/7,
D28/73, 76, 77; D3/205, 273, 274; D4/114;
222/148; 15/103, 244.1; 401/123, 269,
401/289, 290

See application file for complete search history.

(56) **References Cited**

U.S. PATENT DOCUMENTS

D199,959 S *	1/1965	Hulsh	D4/114
D400,787 S *	11/1998	Keener	D9/719
D541,659 S *	5/2007	Fischer	D9/529
D555,012 S *	11/2007	Yamauchi et al.	D9/724
D562,151 S *	2/2008	Larocca et al.	D9/723
D579,164 S *	10/2008	Cheng	D32/35
D604,166 S *	11/2009	Gallo et al.	D9/529
D687,494 S *	8/2013	McVay-Kaiser	D19/57

* cited by examiner

Primary Examiner — Derrick Holland

Assistant Examiner — Lauren Calve

(74) *Attorney, Agent, or Firm* — Clifford H. Kraft

(57) **CLAIM**

The ornamental design for a liquid dispenser, as shown and described.

DESCRIPTION

FIG. 1 is a perspective view of a liquid dispenser according to a first embodiment.

FIG. 2 is a front view thereof, the back view being identical.

FIG. 3 is a side view thereof.

FIG. 4 is a top view thereof.

FIG. 5 is a bottom view thereof.

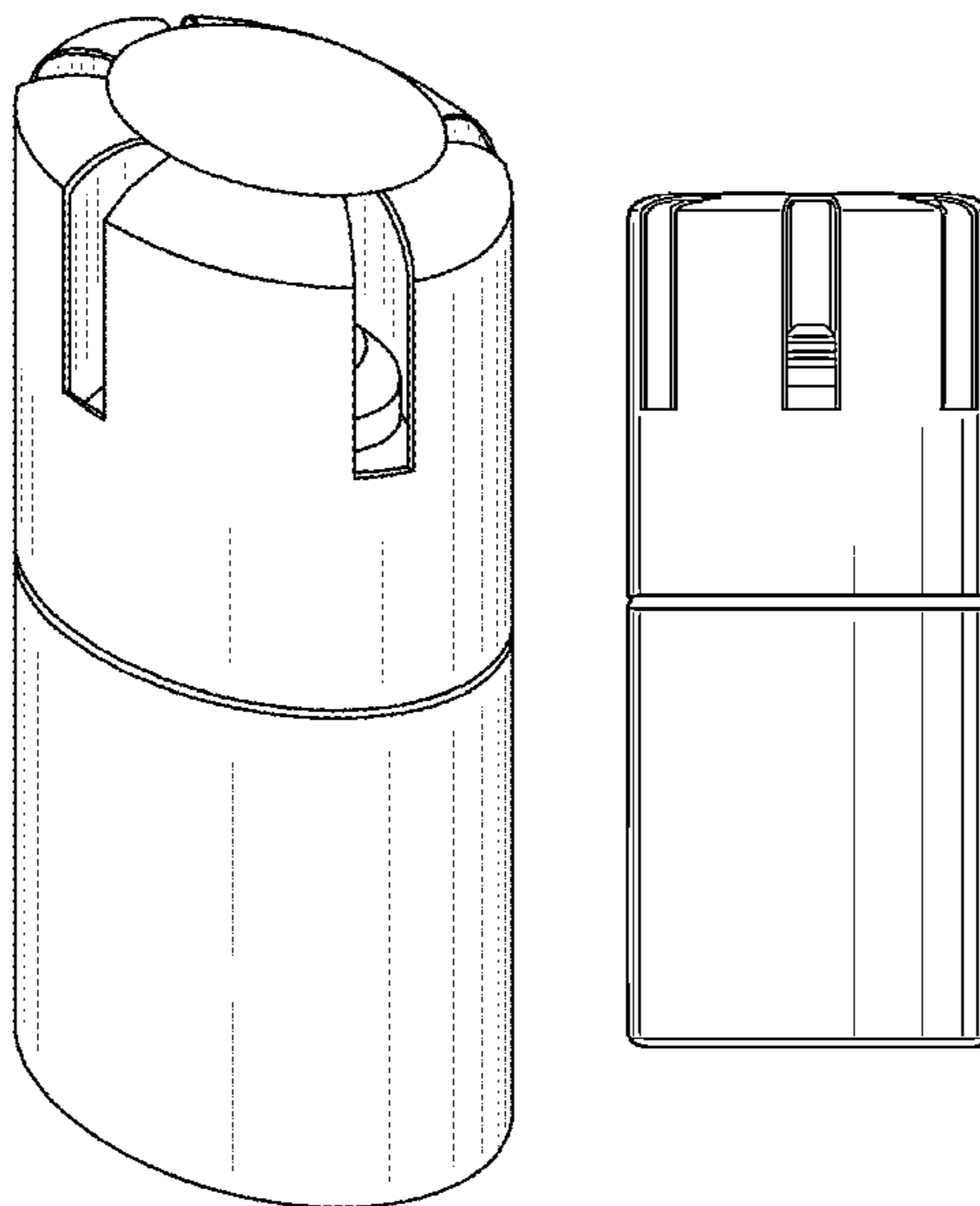
FIG. 6 is a second perspective view thereof shown in an environmental state.

FIG. 7 is an exploded perspective view thereof shown in an environmental state.

FIG. 8 is a perspective view of a liquid dispenser shown in an environmental state according to a second embodiment; and, FIG. 9 is an exploded perspective view thereof shown in an environmental state.

Broken lines shown represent unclaimed subject matter and form no part of the claimed design.

1 Claim, 5 Drawing Sheets



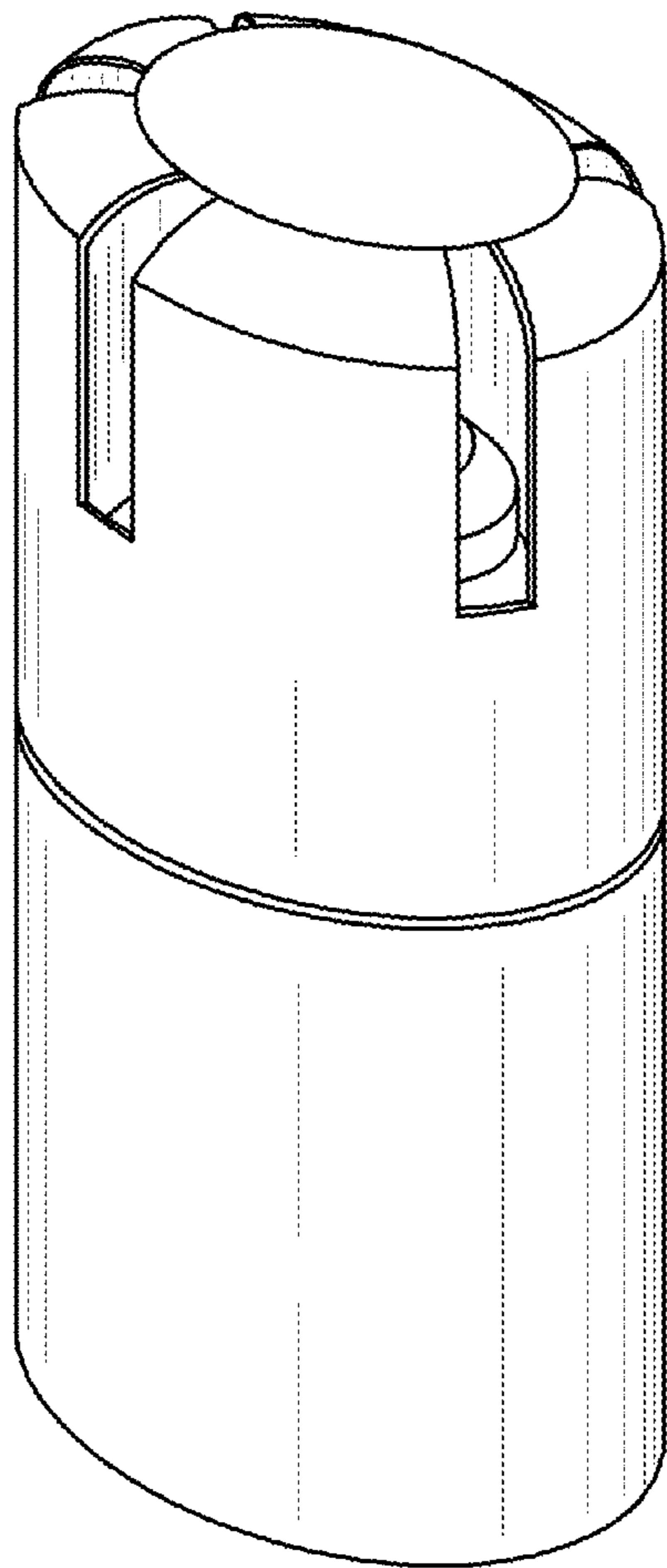


Fig. 1

Fig. 2

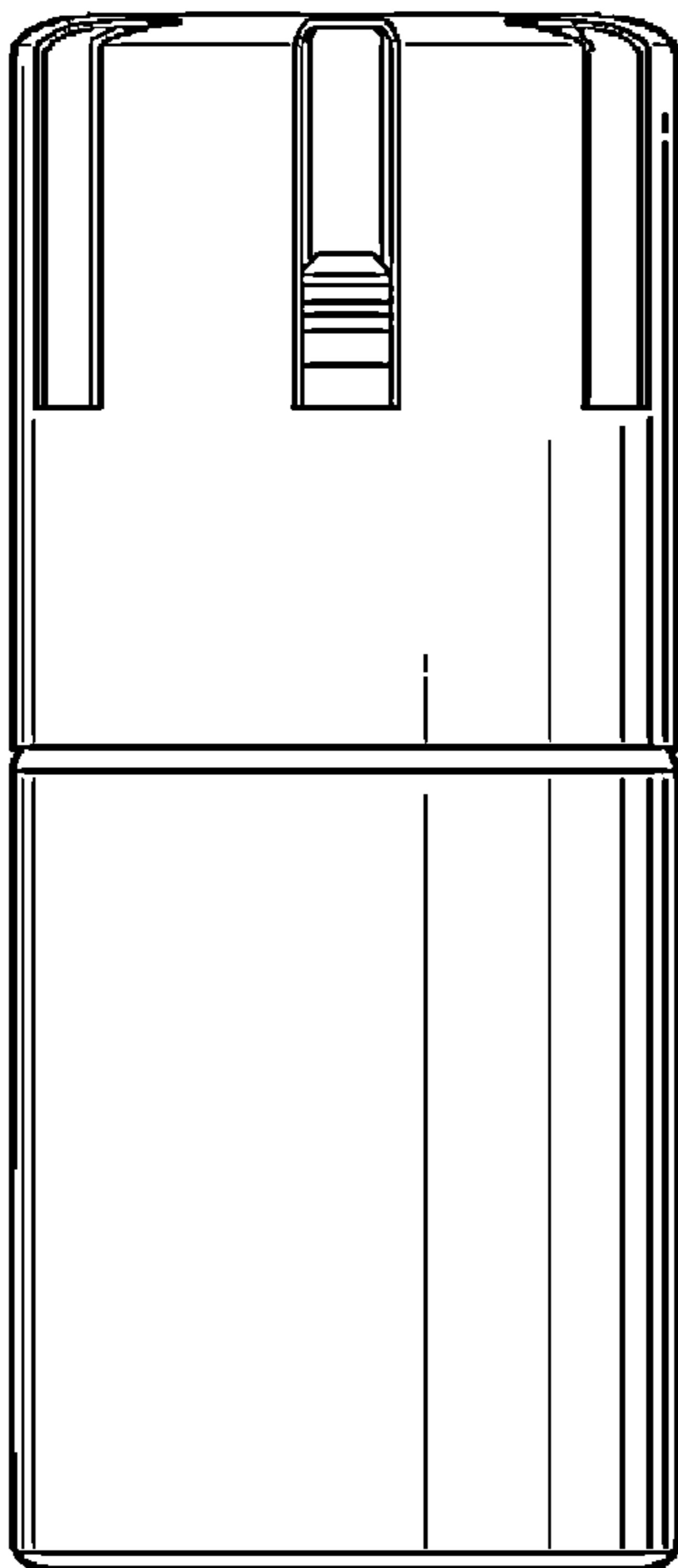
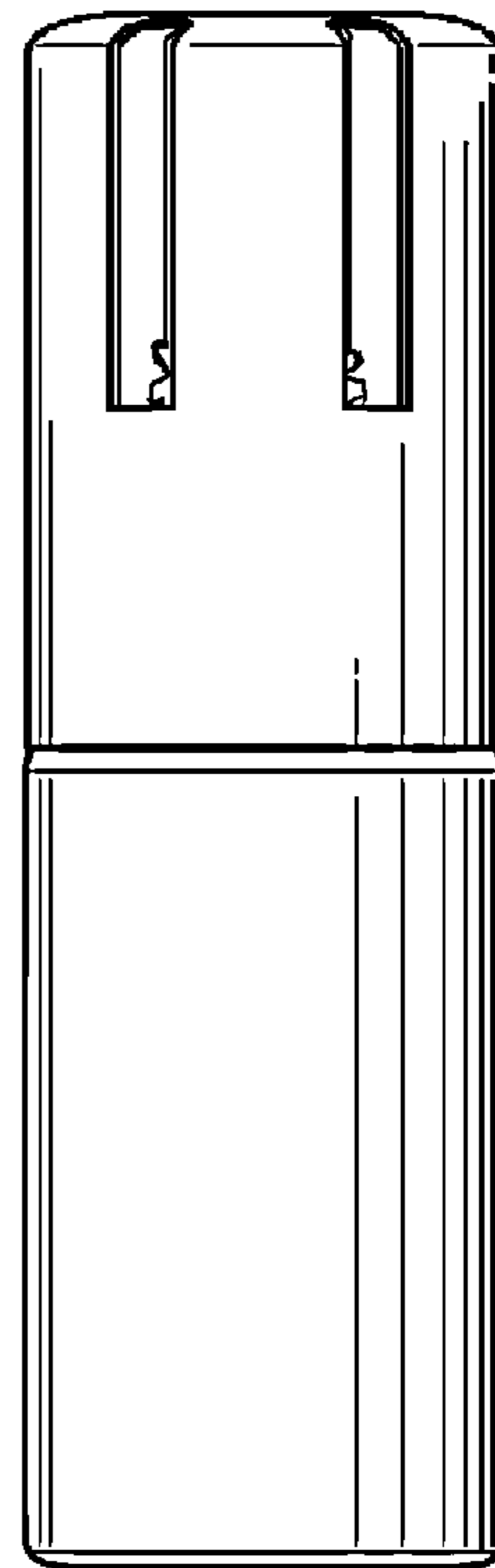


Fig. 3



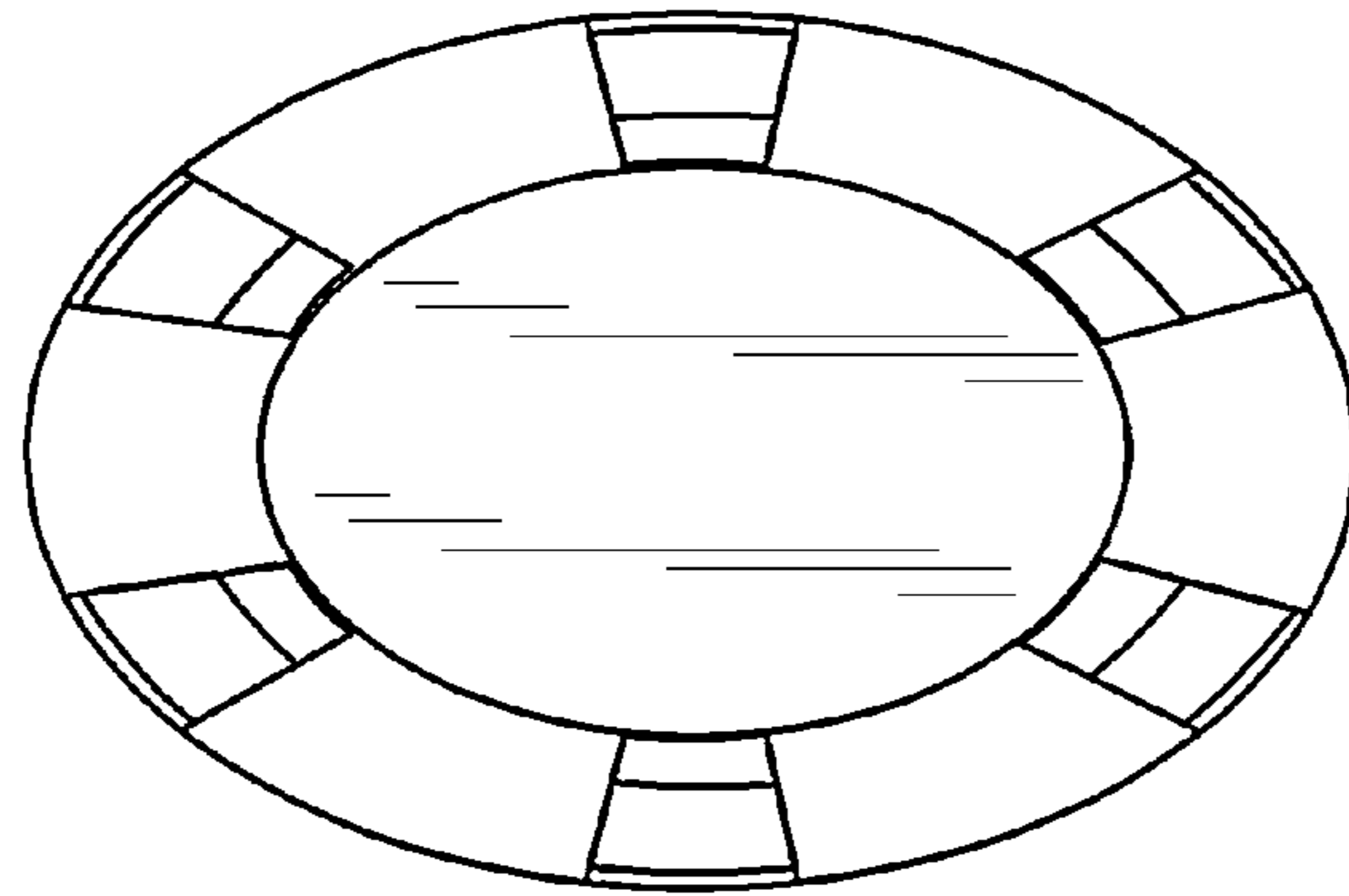


Fig. 4

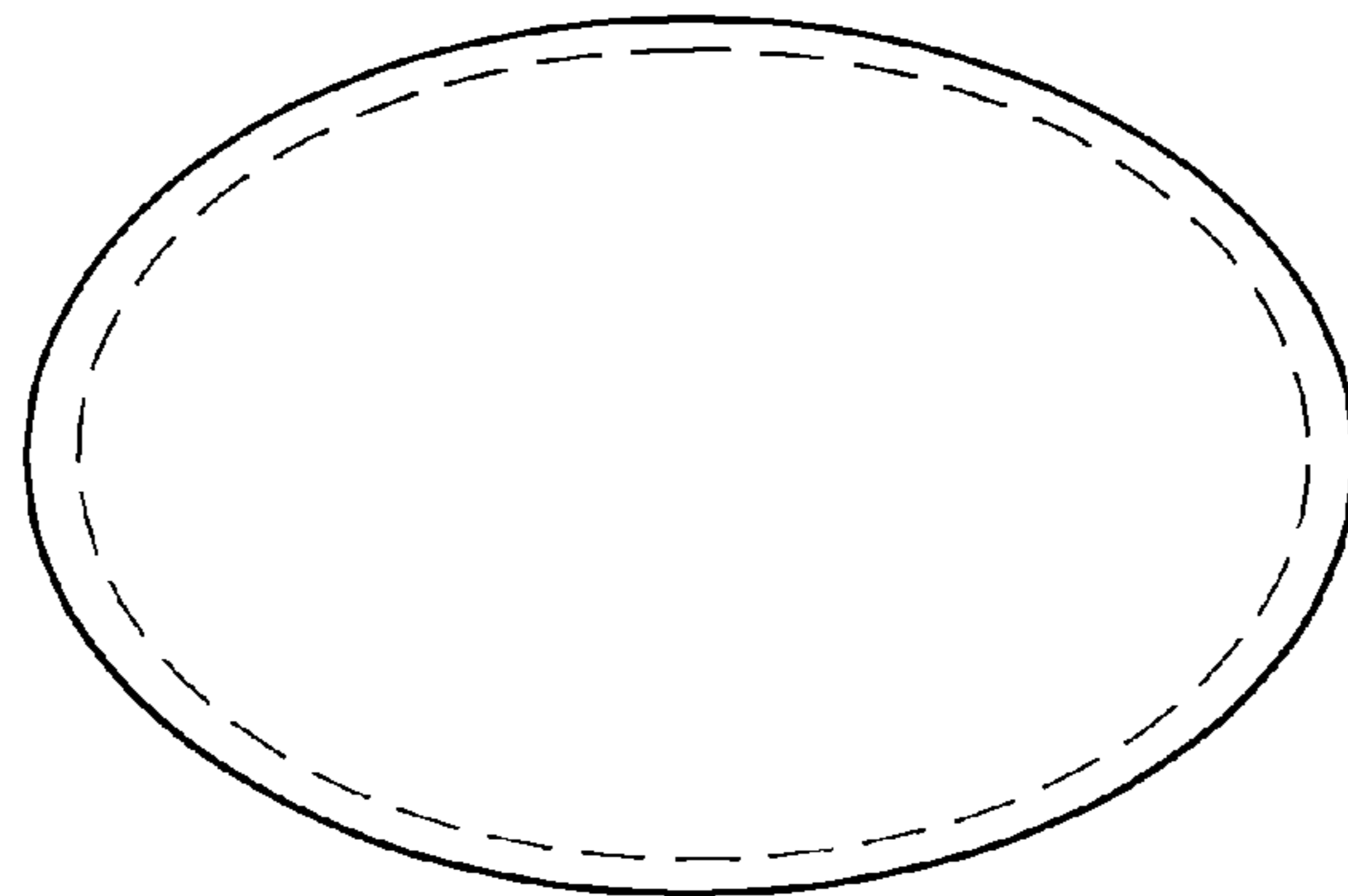


Fig. 5

Fig. 6

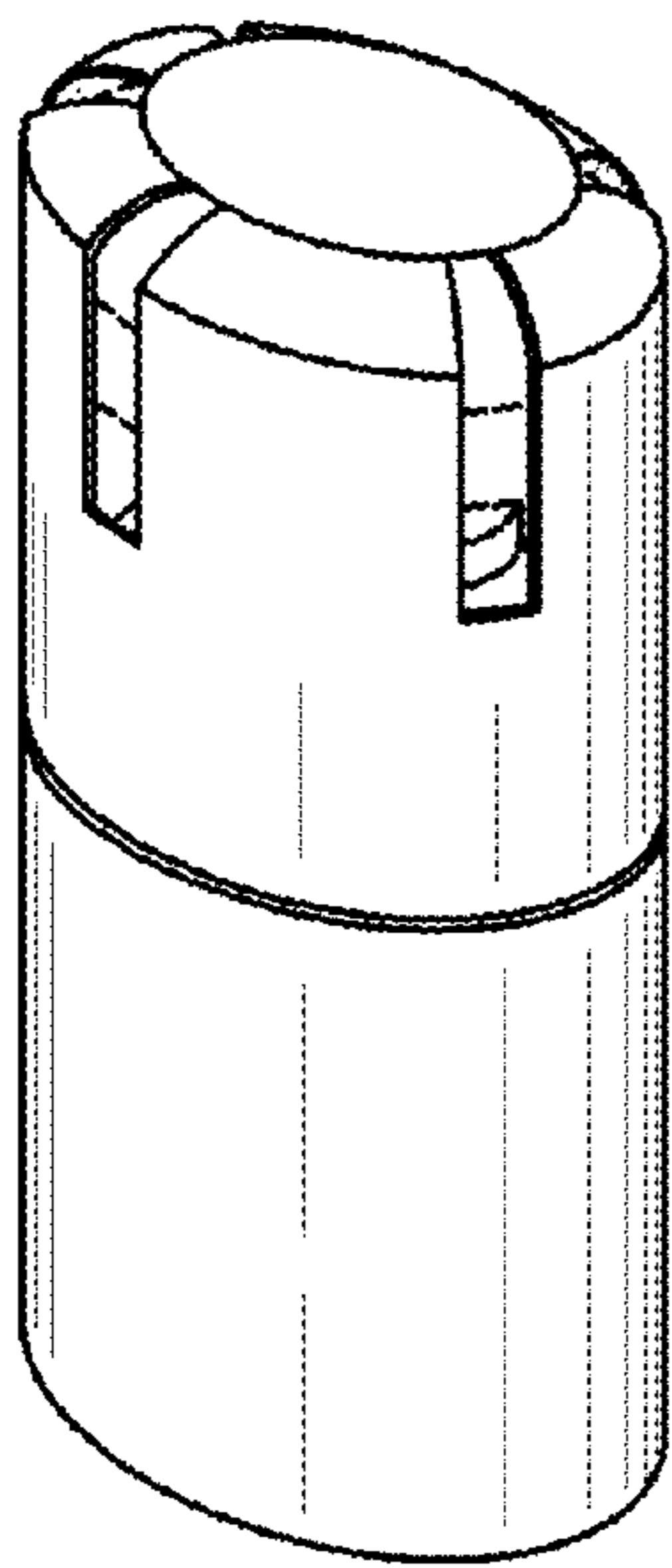


Fig. 7

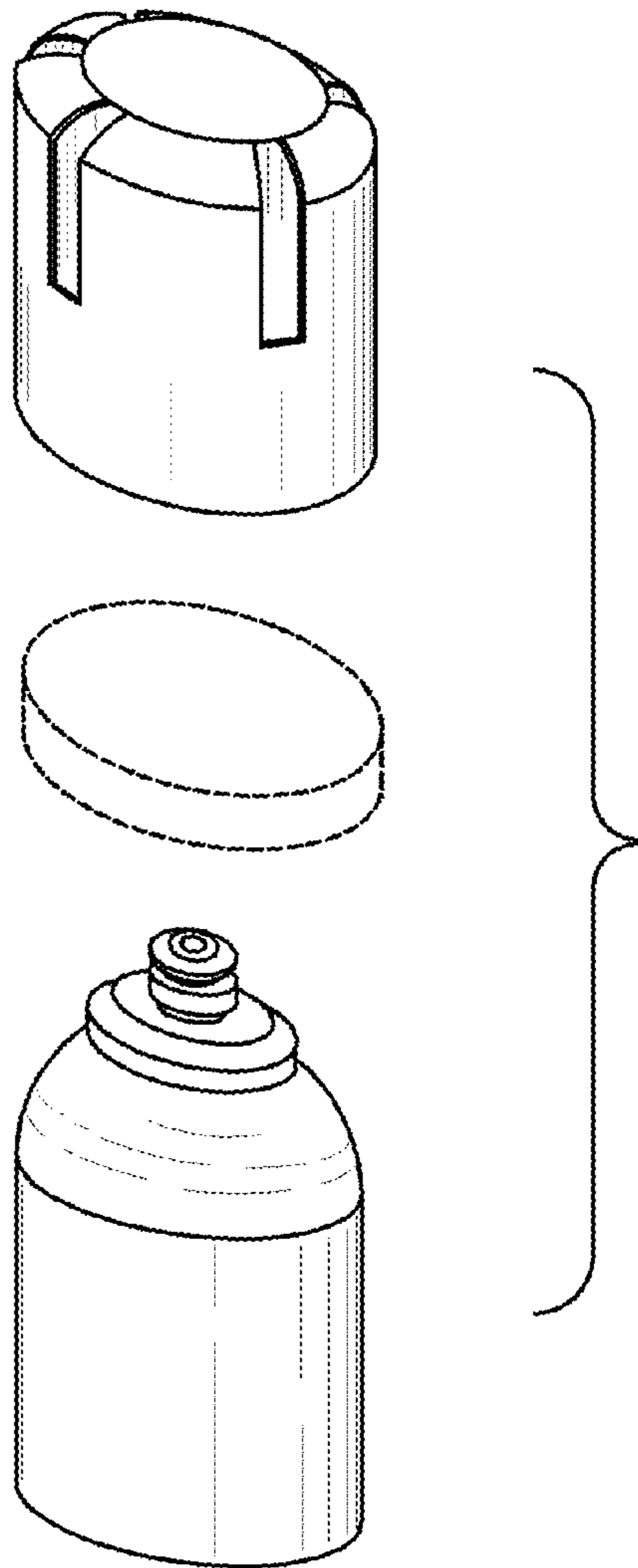


Fig. 8

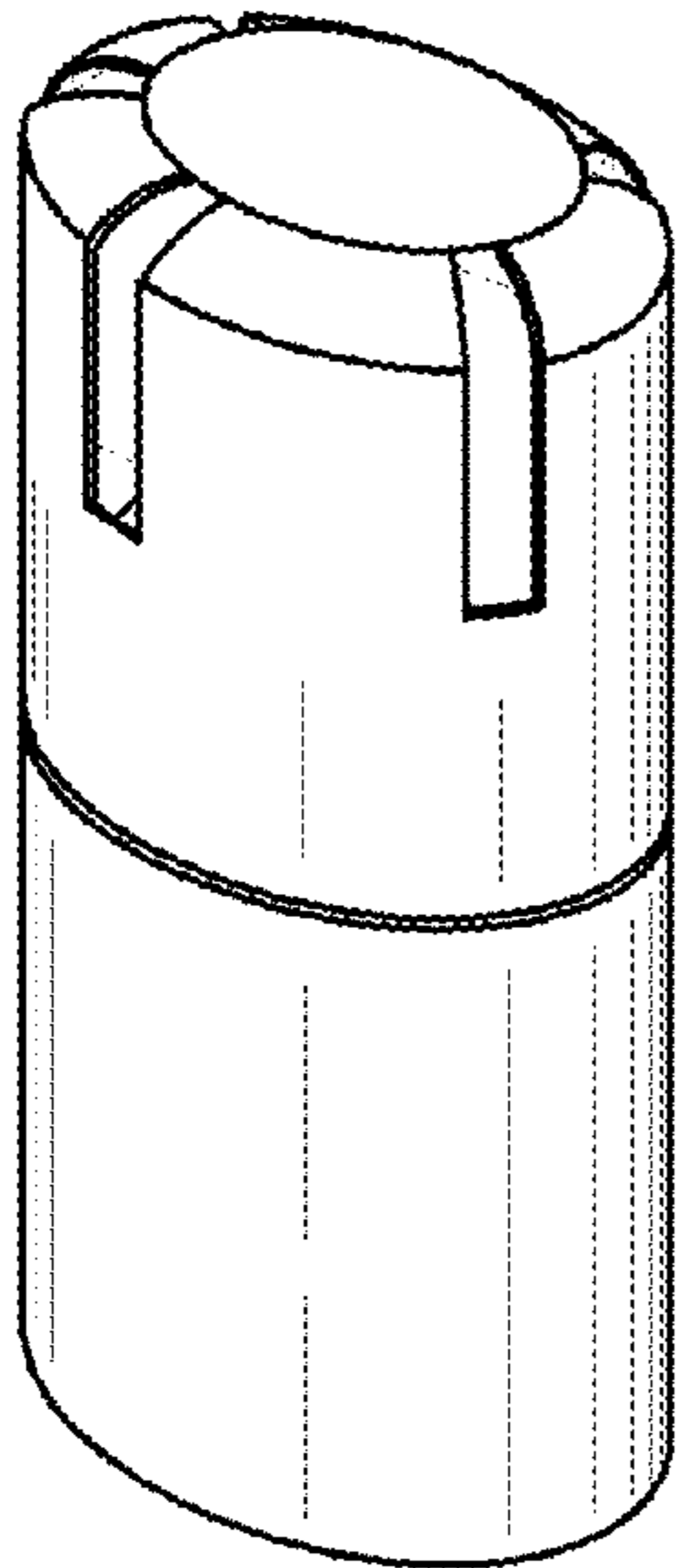


Fig. 9

