



US00D744847S

(12) **United States Design Patent**  
**Flood**

(10) **Patent No.:** **US D744,847 S**

(45) **Date of Patent:** **\*\* Dec. 8, 2015**

(54) **BOTTLE**

(71) Applicant: **Berlin Packaging, LLC**, Chicago, IL (US)

(72) Inventor: **Nora Flood**, Chicago, IL (US)

(73) Assignee: **Berlin Packaging, LLC**, Chicago, IL (US)

(\*\*) Term: **14 Years**

(21) Appl. No.: **29/496,446**

(22) Filed: **Jul. 14, 2014**

(51) **LOC (10) Cl.** ..... **09-01**

(52) **U.S. Cl.**  
USPC ..... **D9/551**; D9/535; D9/564

(58) **Field of Classification Search**  
USPC ..... D3/202, 203.2, 901; D4/116; D7/313, D7/401.1, 590-612, 619.1; D9/535, 549, D9/551, 553, 556, 559, 564; D19/93; D21/684; D23/211.1-211.2, 366; D24/121, 124, 197, 224; D28/4, 7, 20, D28/66, 76, 82, 83, 85, 88, 89, 91.1; 215/206, 229, 381; 220/674, 710, 837; 222/182, 209, 252; 426/115  
CPC ..... A61J 1/03; A61J 1/05; A47G 19/22; A47G 19/2205; A47G 19/2266; B65D 1/02; B65D 1/0223; B65D 1/08; B65D 1/10  
See application file for complete search history.

(56) **References Cited**

**U.S. PATENT DOCUMENTS**

D280,386 S \* 9/1985 Dinand ..... D9/574  
D413,432 S \* 9/1999 Much ..... D3/202  
D530,618 S \* 10/2006 Estabrook et al. .... D9/551  
D533,459 S \* 12/2006 Wagner ..... D9/535  
D534,809 S \* 1/2007 Paglina et al. .... D9/574

D550,095 S \* 9/2007 De Oliveira Neto ..... D9/564  
D582,580 S \* 12/2008 Spangler et al. .... D26/9  
D585,745 S \* 2/2009 Honkawa ..... D9/500  
D601,026 S \* 9/2009 Jost et al. .... D9/522  
D660,168 S \* 5/2012 Kopulos et al. .... D9/543  
D694,114 S \* 11/2013 Lecetre et al. .... D9/564  
D736,640 S \* 8/2015 Ozamis et al. .... D9/558  
2006/0138147 A1\* 6/2006 Wagner ..... 220/475

**FOREIGN PATENT DOCUMENTS**

CN 301143506 \* 2/2010  
CN 303188046 \* 4/2015

\* cited by examiner

*Primary Examiner* — Thomas Johannes

*Assistant Examiner* — Catherine Posthauer

(74) *Attorney, Agent, or Firm* — Adam K. Sacharoff; Much Shelist

(57) **CLAIM**

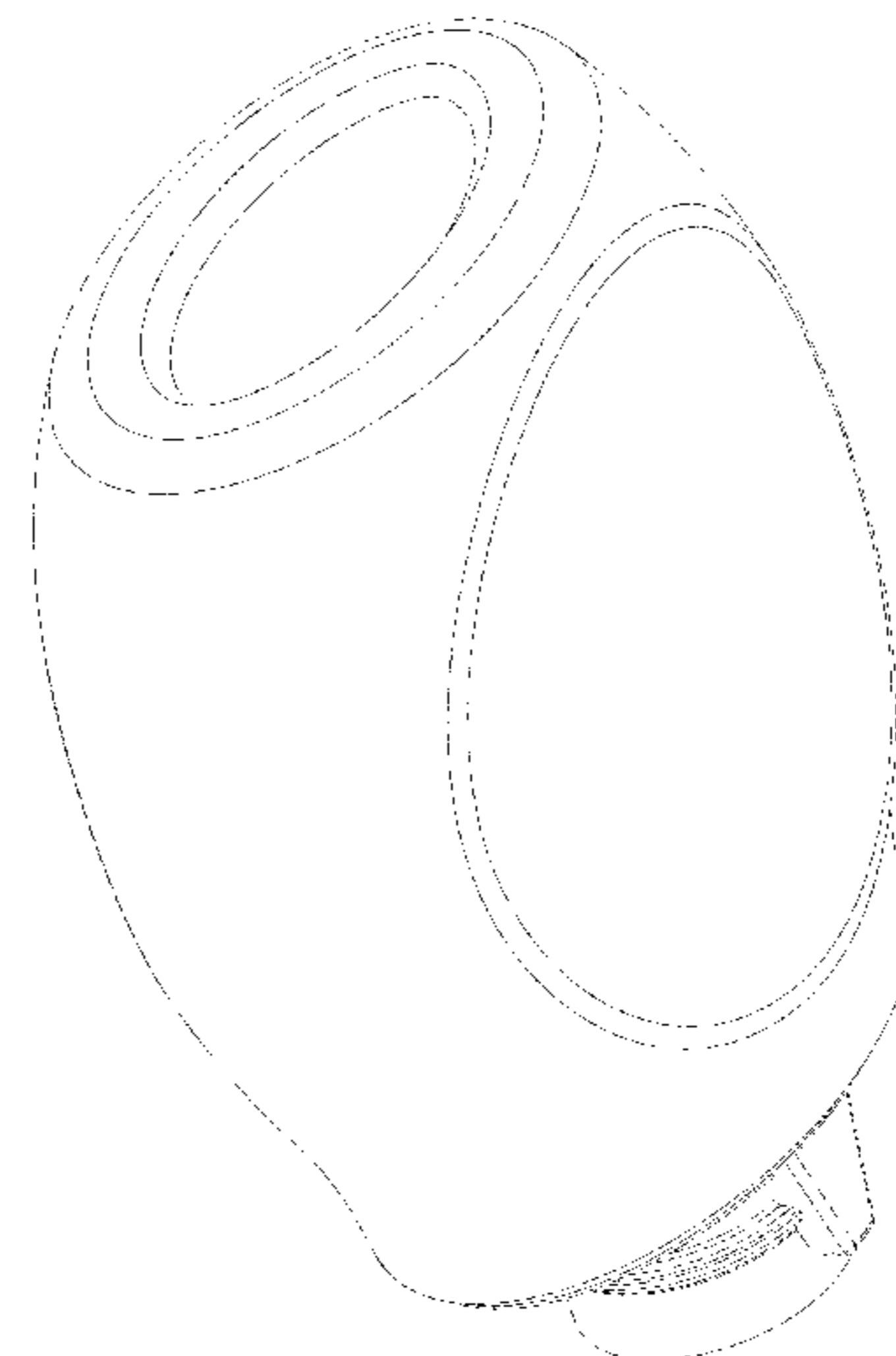
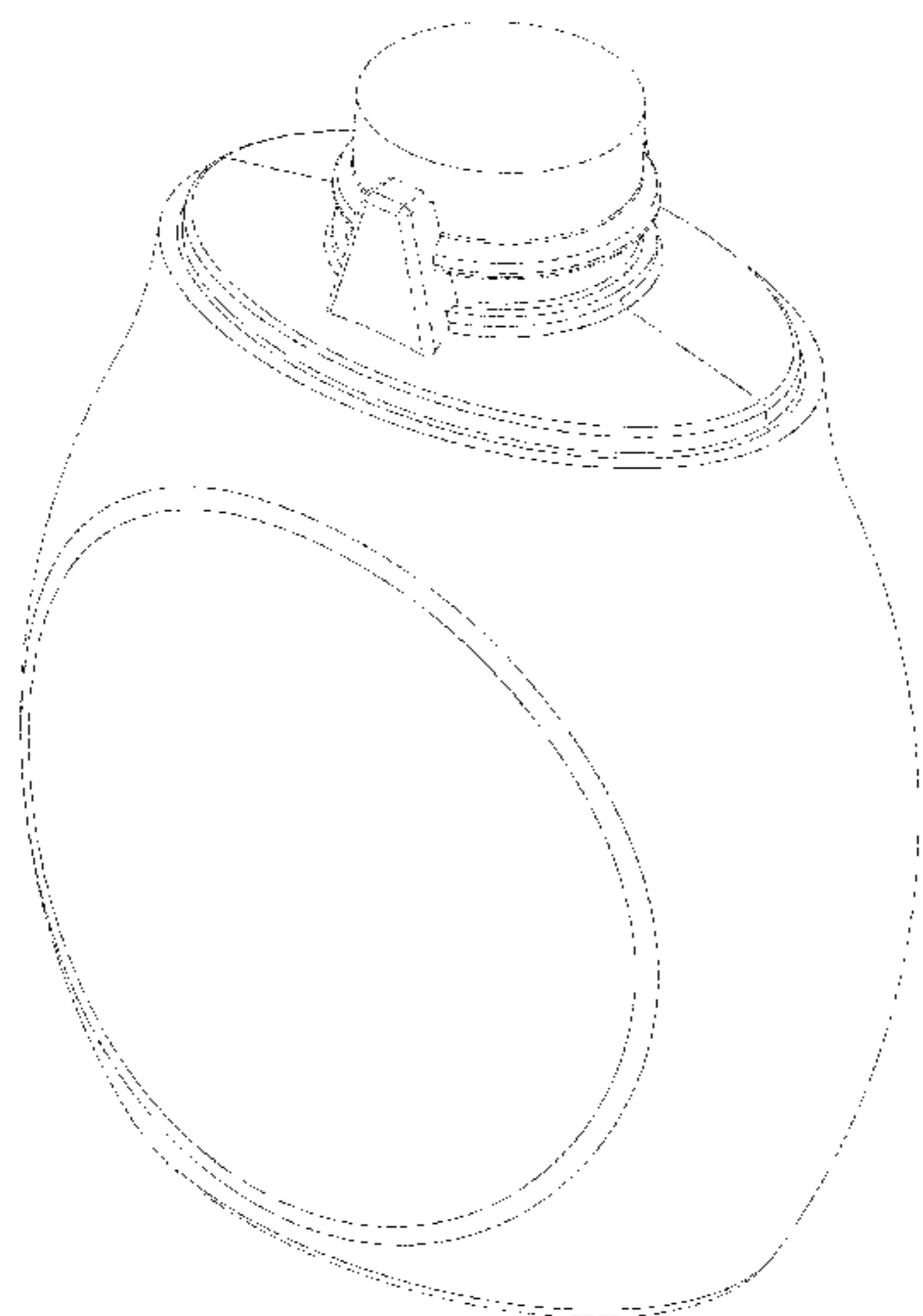
The ornamental design for a bottle, as shown and described.

**DESCRIPTION**

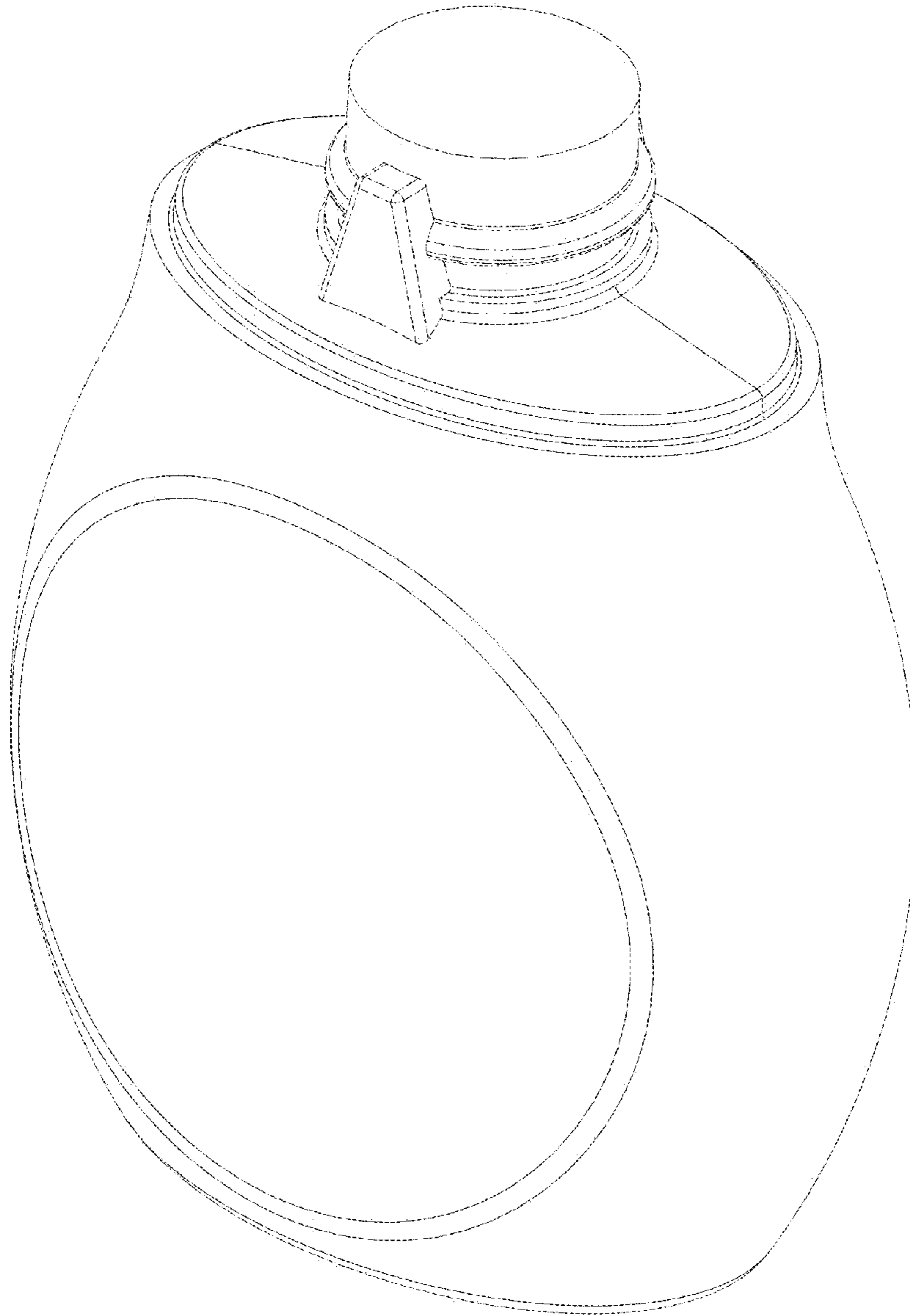
FIG. 1 is a front right perspective view showing the new design;  
FIG. 2 is a back left perspective view of FIG. 1;  
FIG. 3 is a bottom right perspective view of FIG. 1;  
FIG. 4 is a bottom left perspective view of FIG. 1;  
FIG. 5 is a front side view of FIG. 1;  
FIG. 6 is a back side view of FIG. 1.  
FIG. 7 is a right side view of FIG. 1;  
FIG. 8 is a left side view of FIG. 1;  
FIG. 9 is a top side view of FIG. 1; and,  
FIG. 10 is a bottom side view of FIG. 1.

The broken line on the drawings is shown for the purpose of illustrating portions of the bottle that form no part of the claimed design.

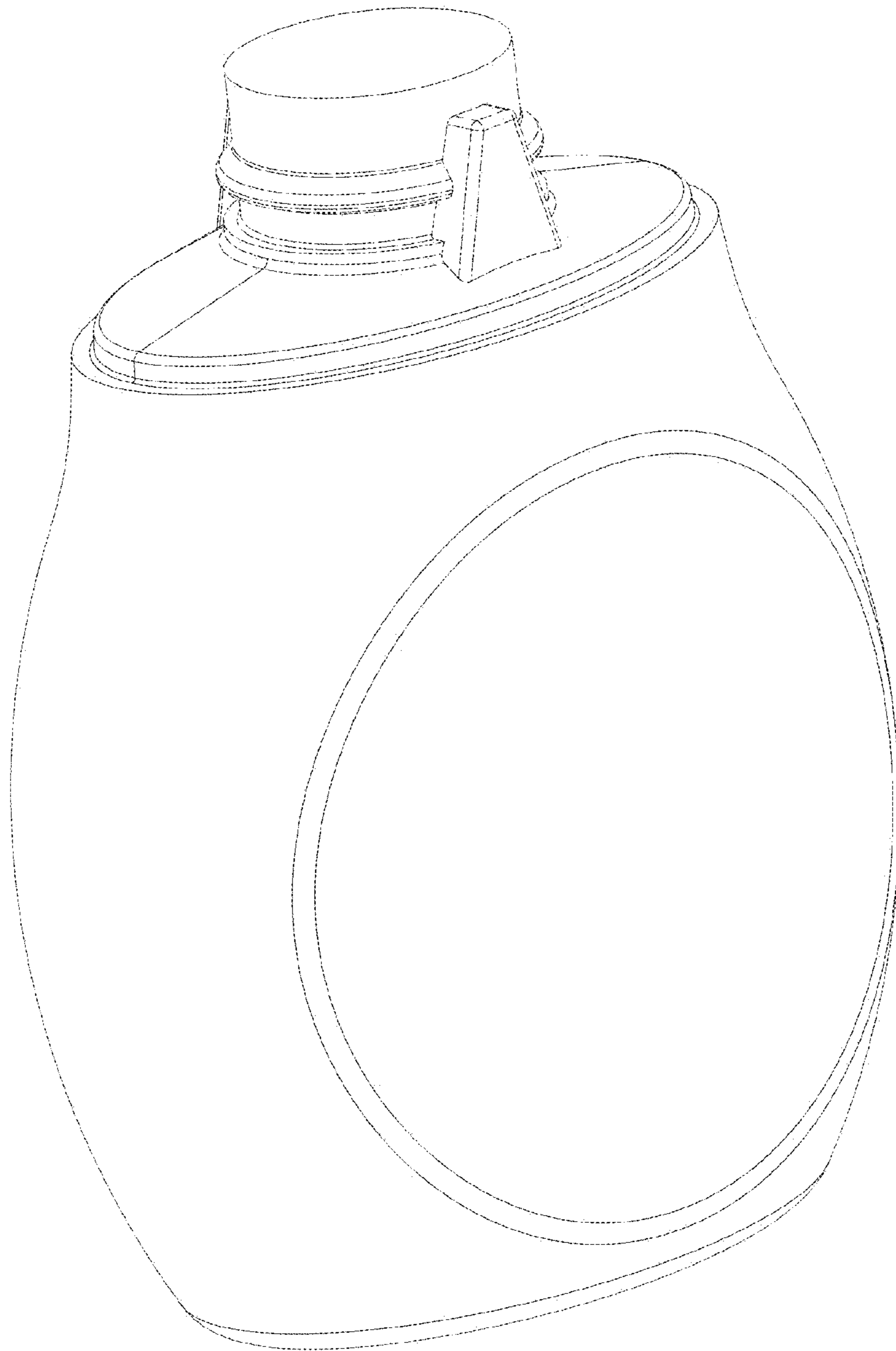
**1 Claim, 10 Drawing Sheets**



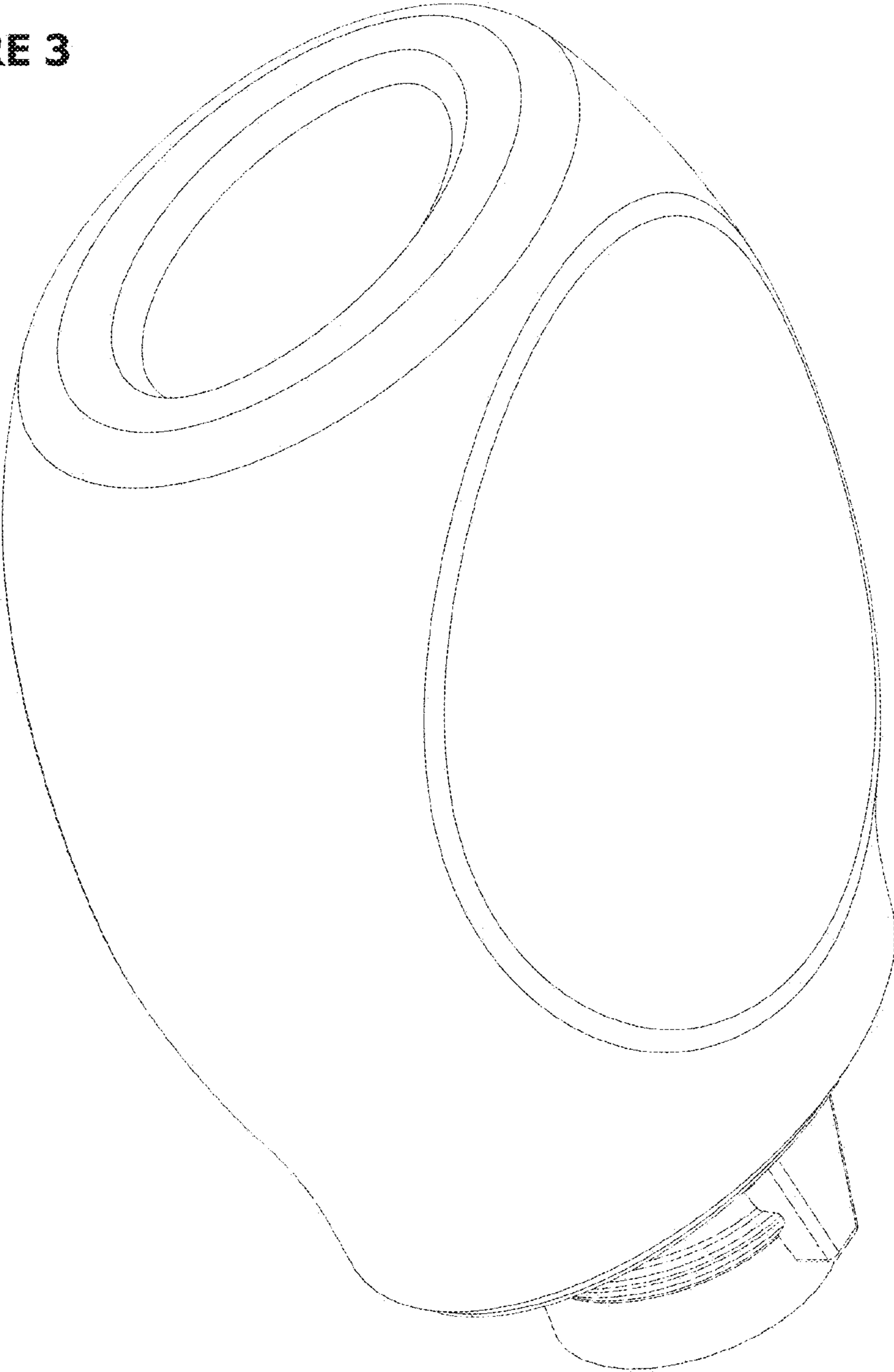
**FIGURE 1**



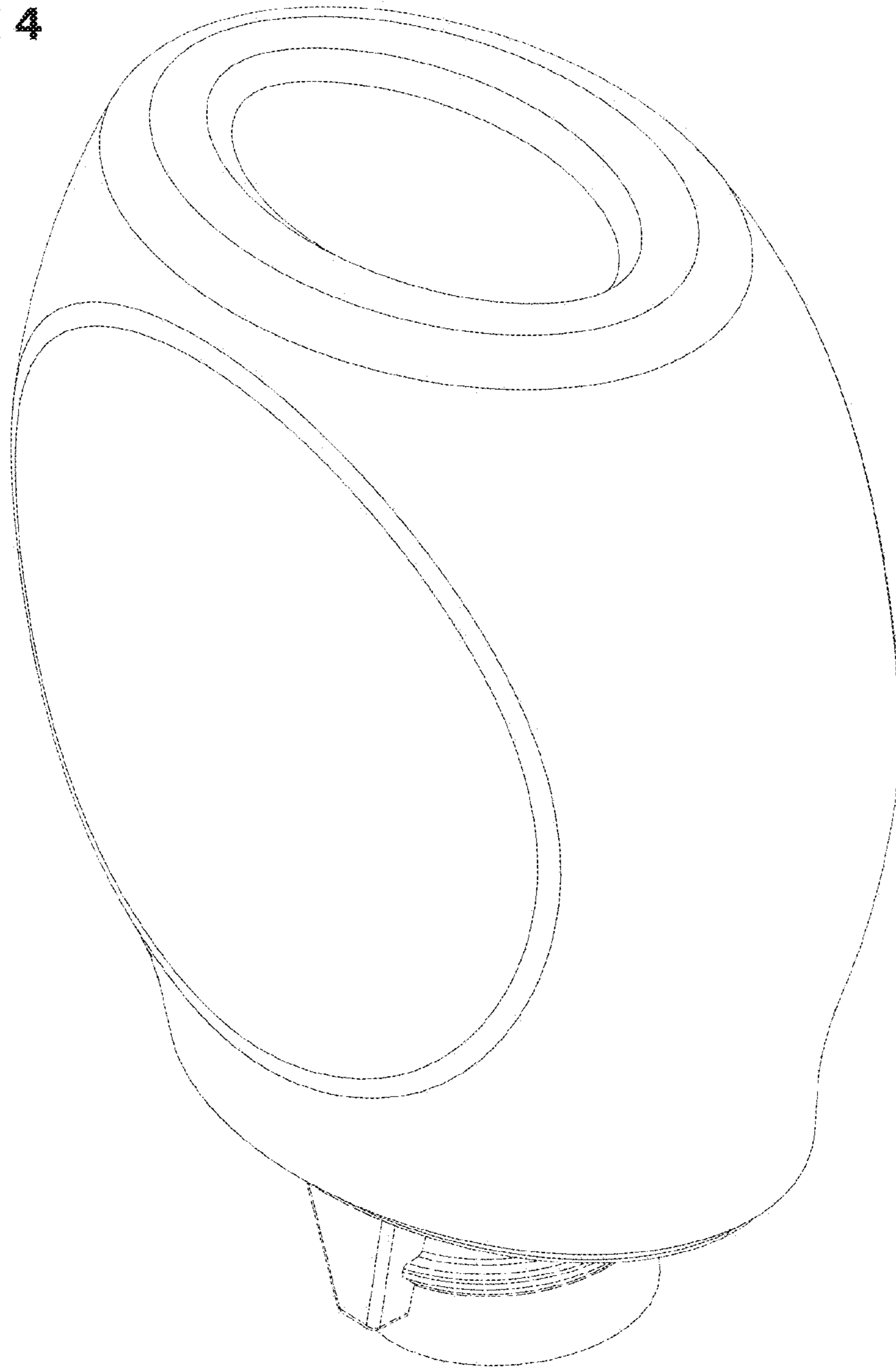
**FIGURE 2**



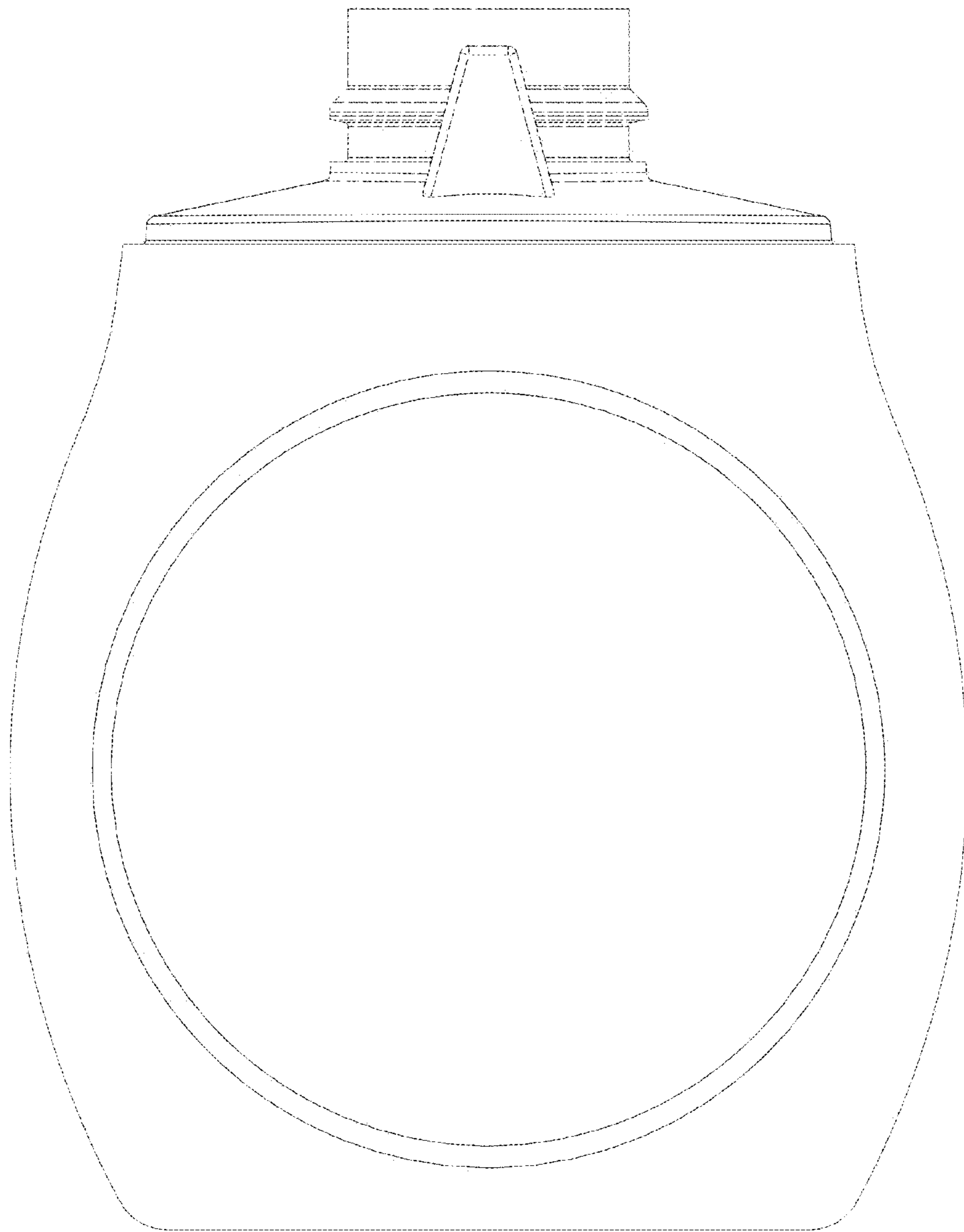
**FIGURE 3**



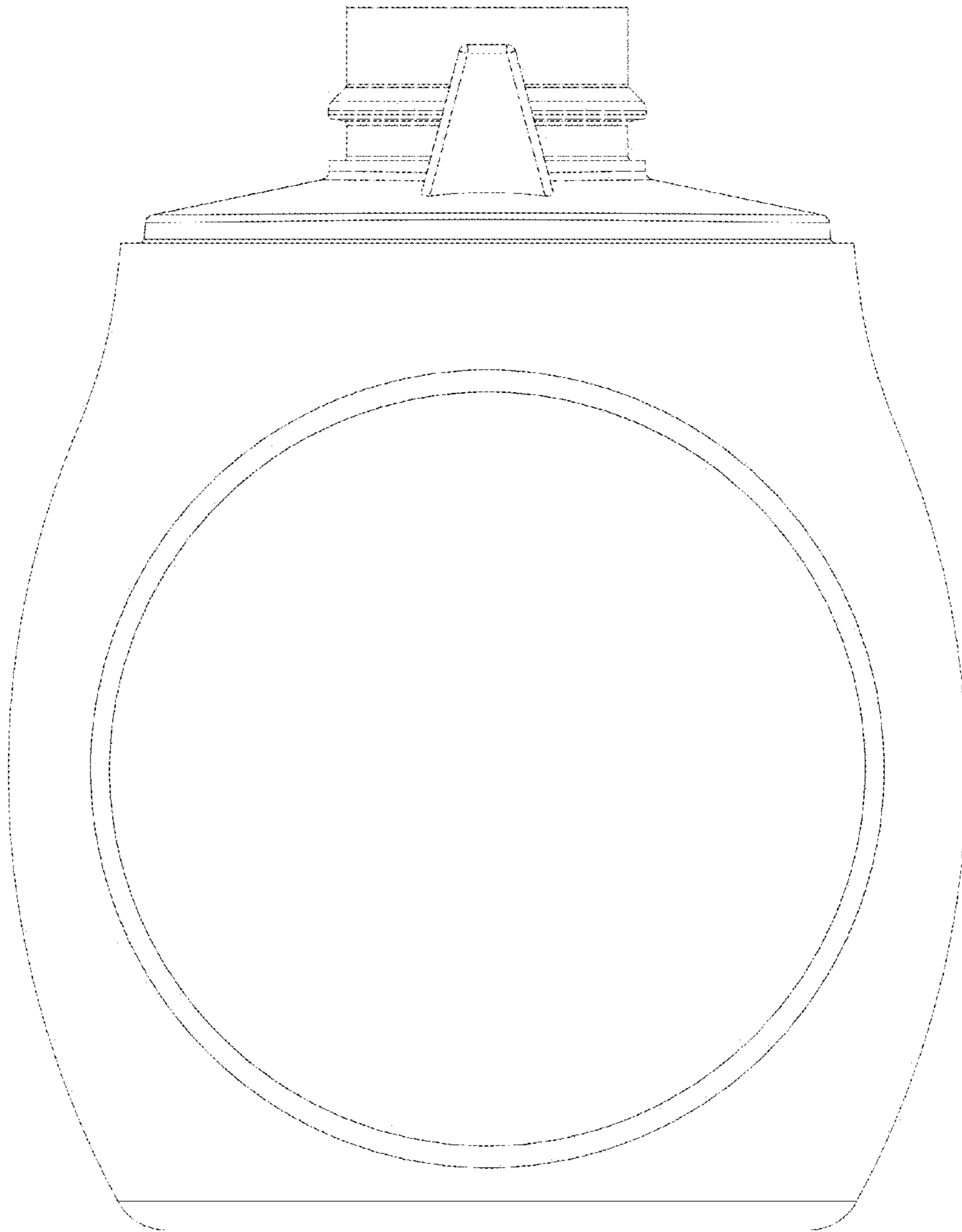
**FIGURE 4**



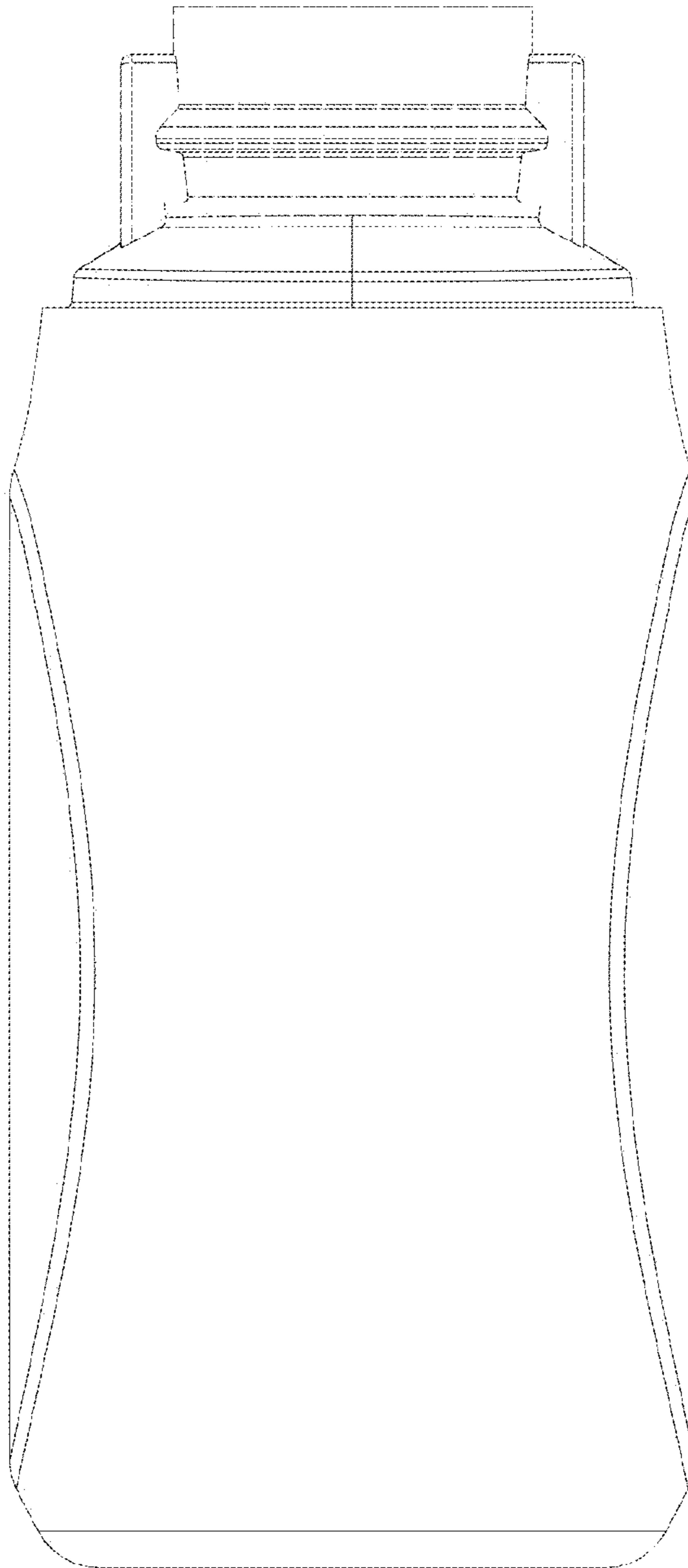
**FIGURE 5**



**FIGURE 6**



**FIGURE 7**





**FIGURE 8**

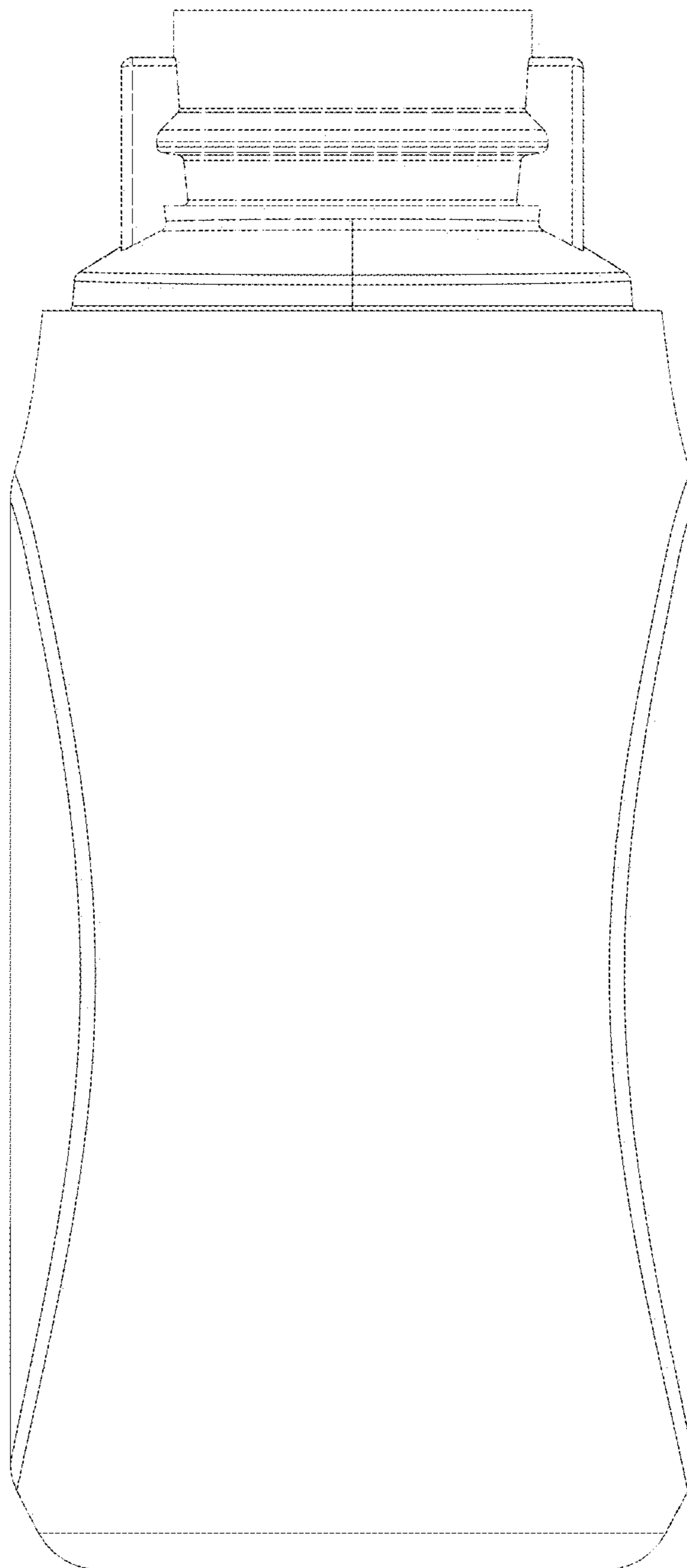
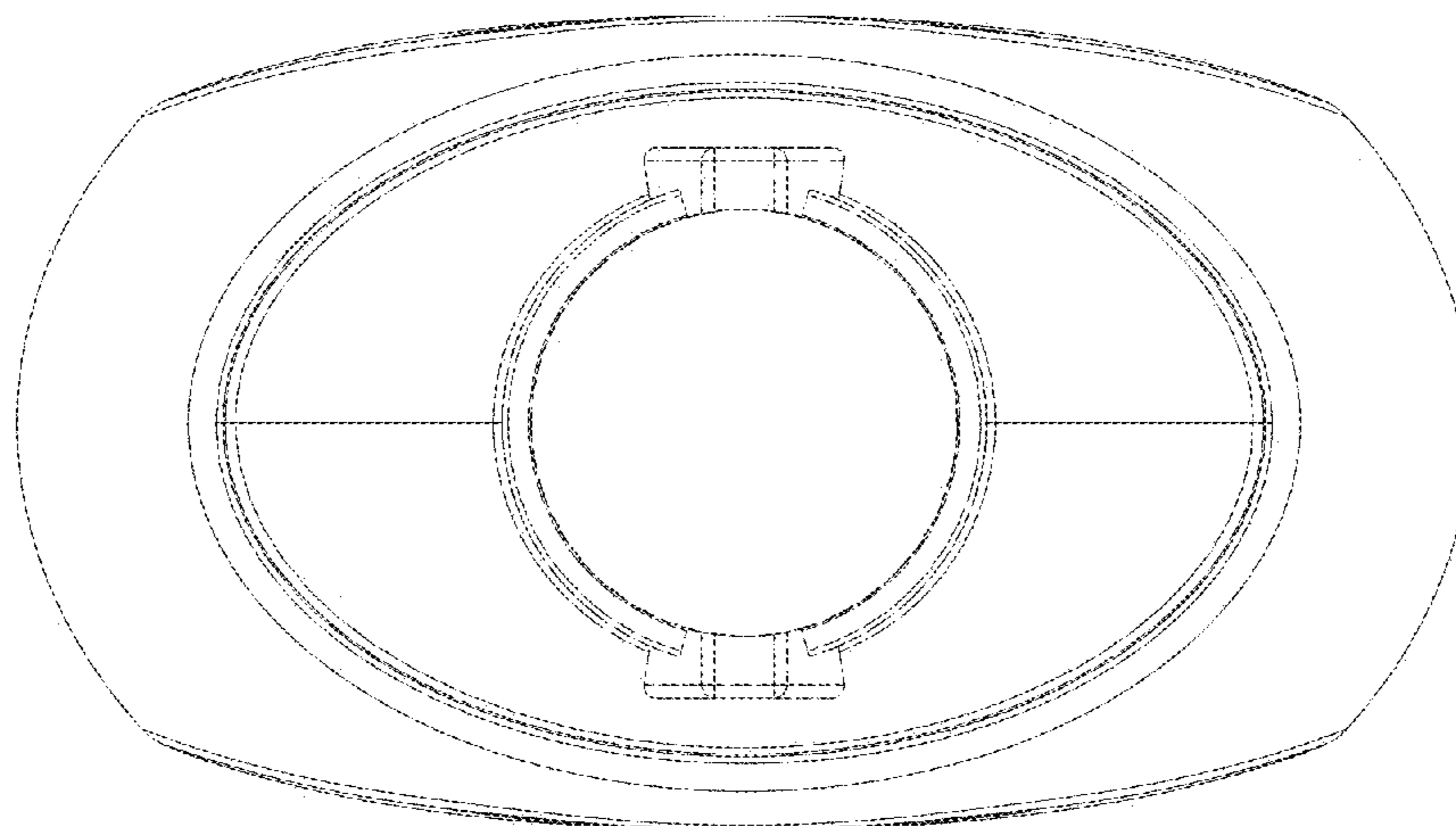


FIGURE 9



**FIGURE 10**

