



US00D744846S

(12) **United States Design Patent**
Koop et al.

(10) **Patent No.:** **US D744,846 S**
(45) **Date of Patent:** **** Dec. 8, 2015**

(54) **BOTTLE WITH CAP**

(71) Applicant: **DURAN Group GmbH**, Wertheim (DE)

(72) Inventors: **Norbert Koop**, Hamburg (DE); **Michael Merz**, Mainz (DE)

(73) Assignee: **DURAN GROUP GMBH**, Wertheim (DE)

(**) Term: **14 Years**

(21) Appl. No.: **29/491,585**

(22) Filed: **May 22, 2014**

(30) **Foreign Application Priority Data**

Feb. 13, 2014 (EM) 002403808-0004

(51) **LOC (10) Cl.** **09-01**

(52) **U.S. Cl.**
USPC **D9/550**

(58) **Field of Classification Search**

USPC D3/202, 202.3, 203.2, 203.4, 203.6,
D3/205, 225, 240, 251, 901; D6/515, 518,
D6/522, 523, 535, 541, 542; D7/300.1,
D7/316, 317, 509-511, 590-600, 601-612,
D7/679; D9/431, 432, 446, 447, 449, 453,
D9/454, 516, 520, 521, 522, 523, 529, 530,
D9/540, 541, 542, 548, 549, 550, 551, 552,
D9/556, 558, 560, 563, 569, 571, 574, 655,
D9/658, 667; D23/211.1-211.2; D24/121,
D24/124, 197, 224; D28/8.1, 66, 67, 83;
215/206, 229, 381; 220/674, 710, 837;
222/182, 206, 209, 252; 426/115
CPC B65D 1/02; B65D 1/0223; B65D 1/0269;
B65D 1/08; B65D 1/10; A47G 19/22; A47G
19/2205; A47G 19/2266

See application file for complete search history.

(56) **References Cited**

U.S. PATENT DOCUMENTS

D282,052 S * 1/1986 Beaver et al. D9/539
D314,142 S * 1/1991 Briggs D9/550

(Continued)

FOREIGN PATENT DOCUMENTS

CN 302693064 * 12/2013

OTHER PUBLICATIONS

Duran Group Yutility Laboratory Bottle: announced Jan. 17, 2014 [online] site visited [Jul. 21, 2015]. Available from Internet URL:<<http://www.duran-group.com/en/products-solutions/laboratory-glassware/products/laboratory-glass-bottles/duran-yutility-laborflasche.html>>.*

Primary Examiner — Thomas Johannes

Assistant Examiner — Catherine Posthauer

(74) *Attorney, Agent, or Firm* — Stephen J. Weyer, Esq.; Stites & Harbison, PLLC.

(57) **CLAIM**

The ornamental design for a bottle with cap, as shown and described.

DESCRIPTION

This application relates to the subject matter in co-filed U.S. Design patent applications Ser. Nos. 29/491,585, 29/491,590, and 29/491,591, filed on May 22, 2014, all herein incorporated by reference.

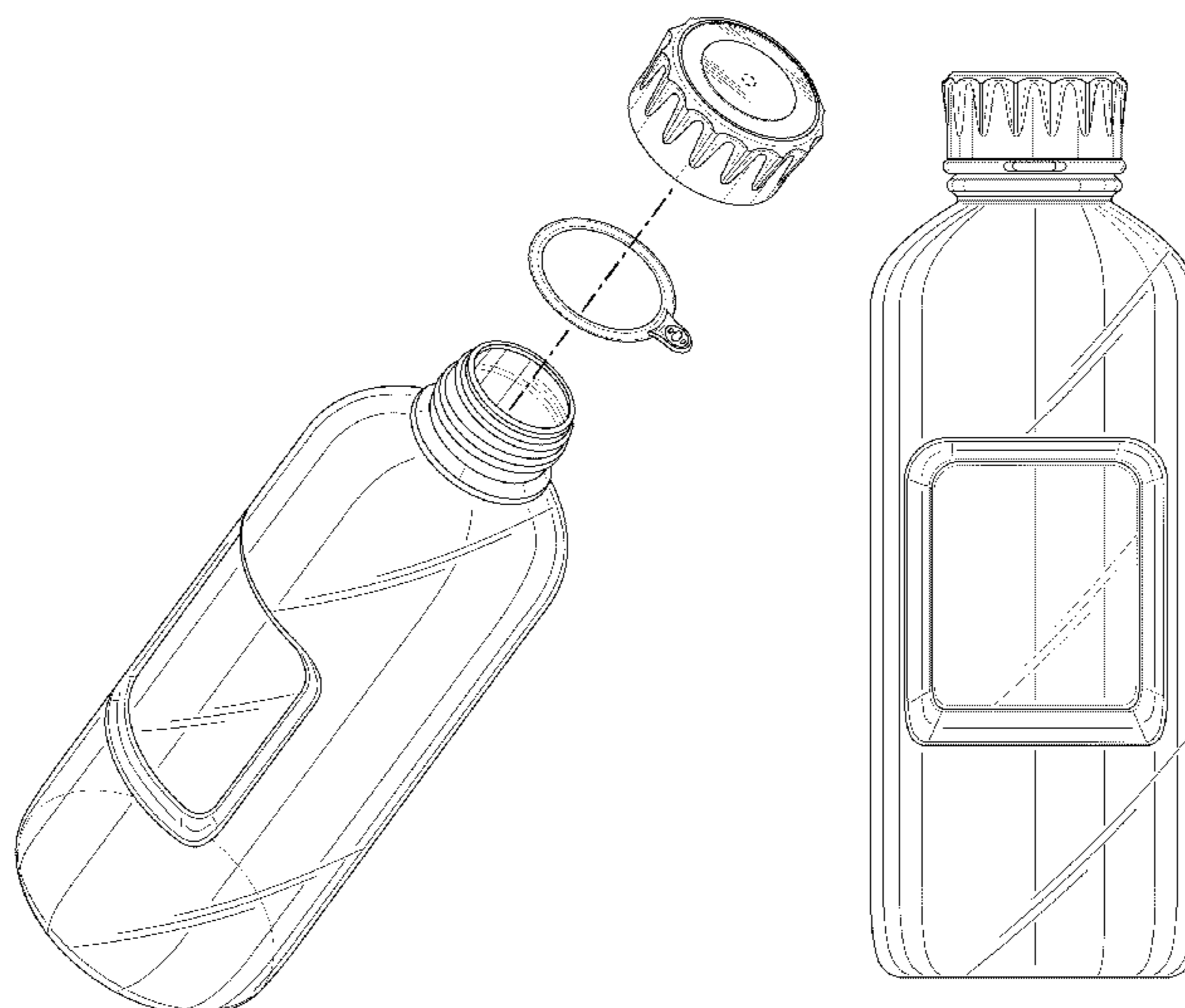
FIG. 1 is an exploded, perspective view taken from the top, front, and right side of the bottle with cap of the present invention.

FIG. 2 is a front elevation view of the bottle with cap of FIG. 1.

FIG. 3 is a rear elevation view of the bottle with cap of FIG. 1. FIG. 4 is a right side elevation view of the bottle with cap of FIG. 1, the opposite side being a mirror image thereof; and, FIG. 5 is a top plan view of the bottle with cap of FIG. 1.

The broken lines on FIGS. 1 and 5 are shown for the purpose of illustrating unclaimed portions of the bottle with cap and form no part of the claimed design. The dot-dash lines shown in FIG. 1 are for the purpose of identifying an exploded view and form no part of the claimed design.

1 Claim, 5 Drawing Sheets



(56)

References Cited

U.S. PATENT DOCUMENTS

D482,794 S *	11/2003	Whitley	D24/224	D573,476 S *	7/2008	Hopkins	D9/538
D503,620 S *	4/2005	Taylor	D9/518	D679,185 S *	4/2013	Brown et al.	D9/452
D512,641 S *	12/2005	Anderson et al.	D9/530	D689,332 S *	9/2013	Krasner	D7/510
7,134,564 B2 *	11/2006	Verbovszky	215/11.4	D698,657 S *	2/2014	Bernstein et al.	D9/529
				2006/0016819 A1 *	1/2006	Paslawski et al.	220/666
				2009/0255893 A1 *	10/2009	Zummo et al.	215/10
				2010/0183776 A1 *	7/2010	Gruenwald et al.	426/115

* cited by examiner

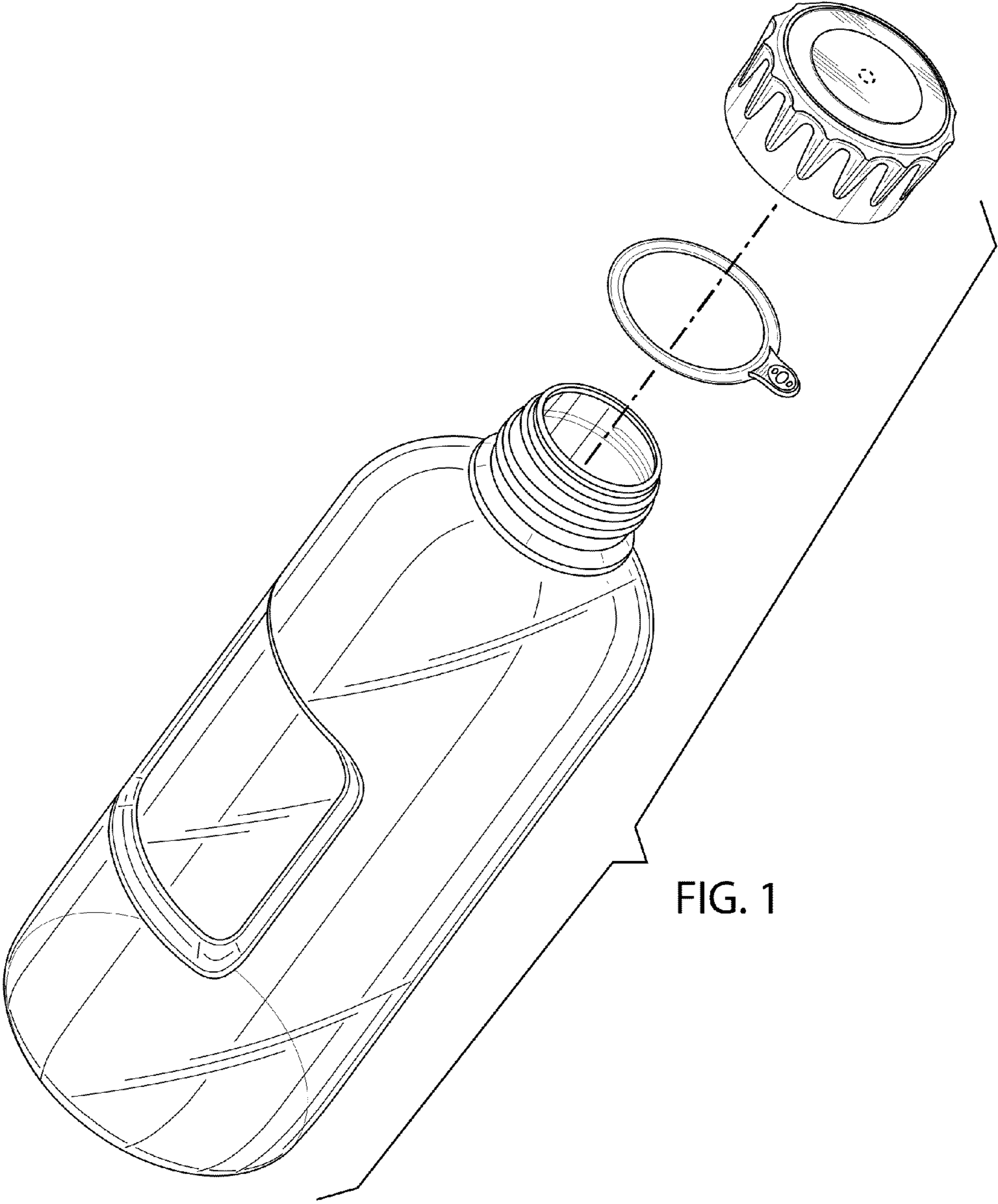


FIG. 1

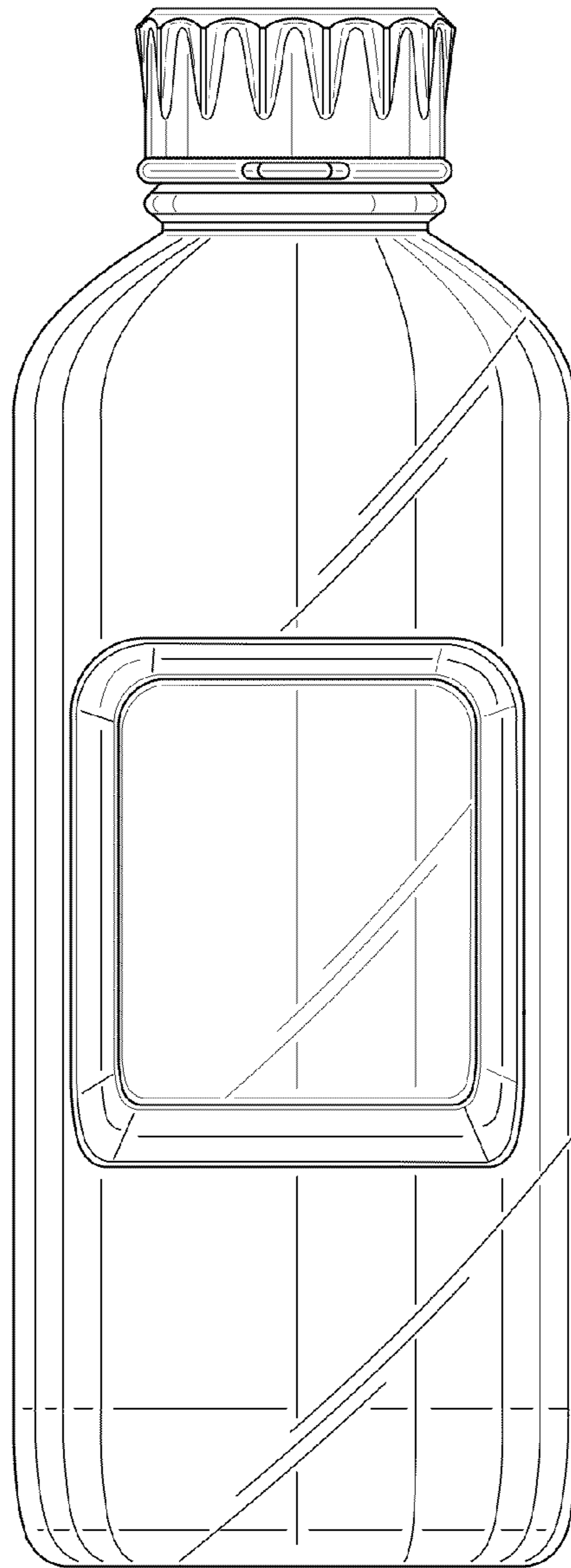


FIG. 2

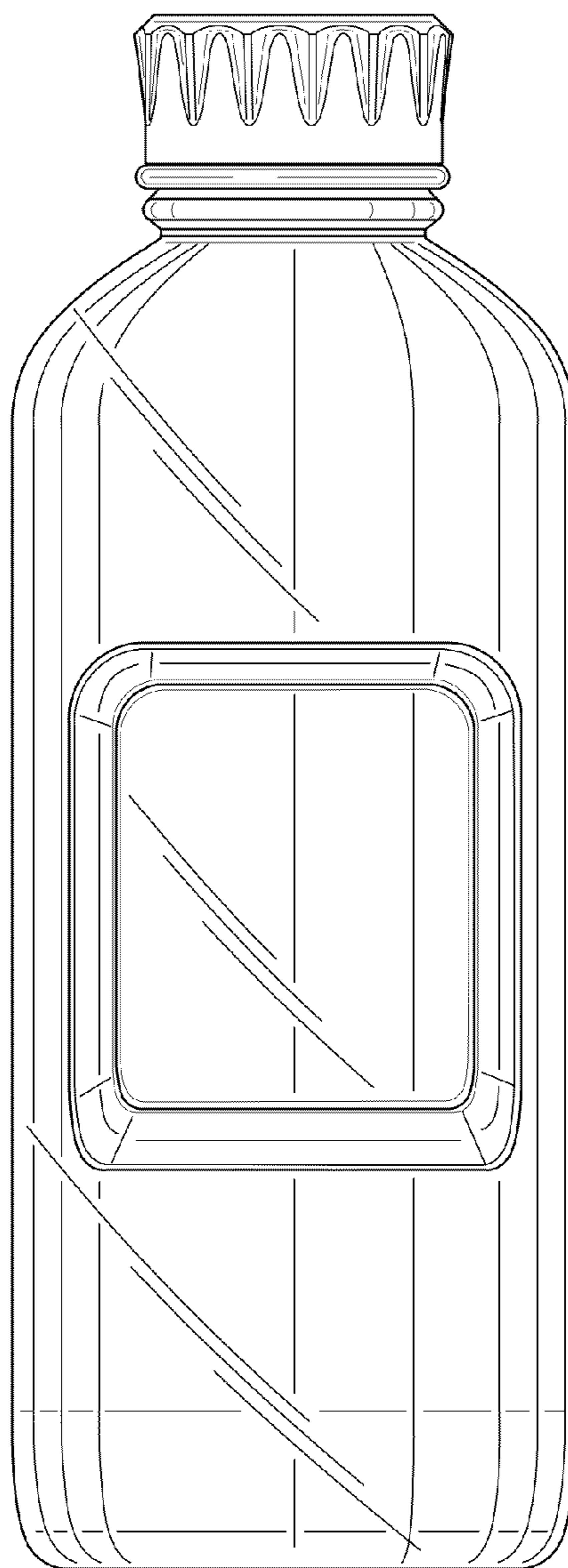


FIG. 3

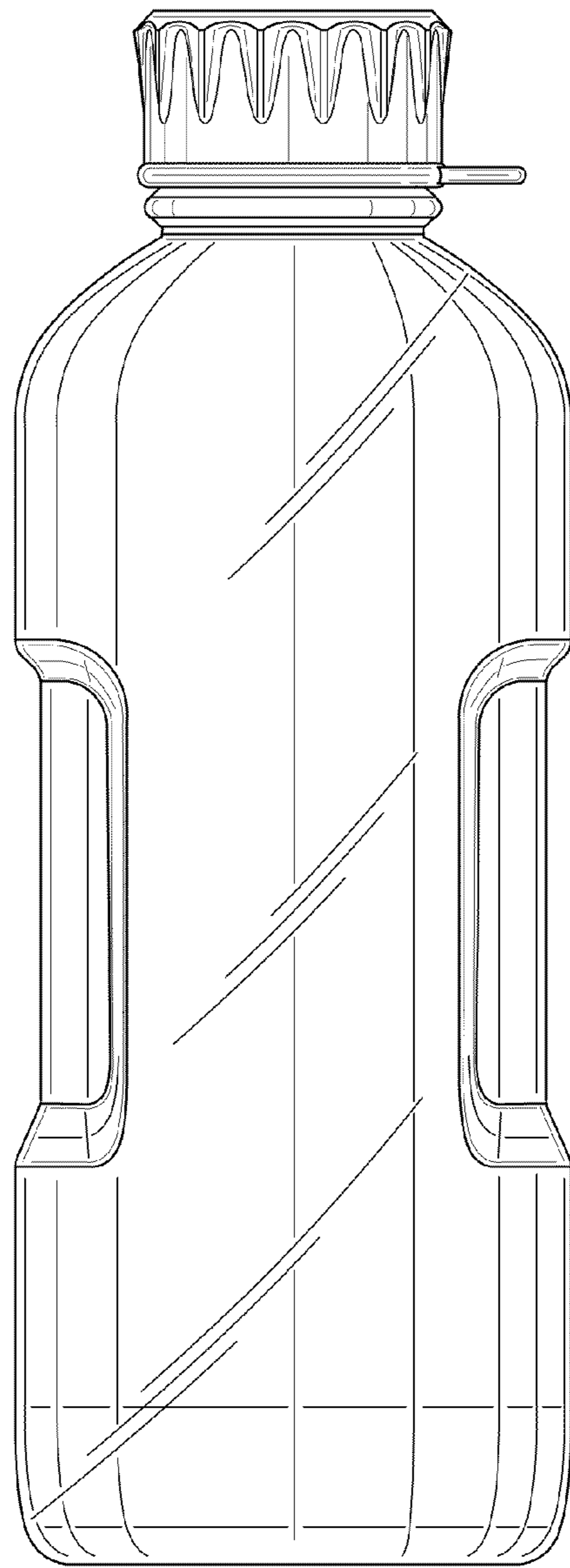


FIG. 4

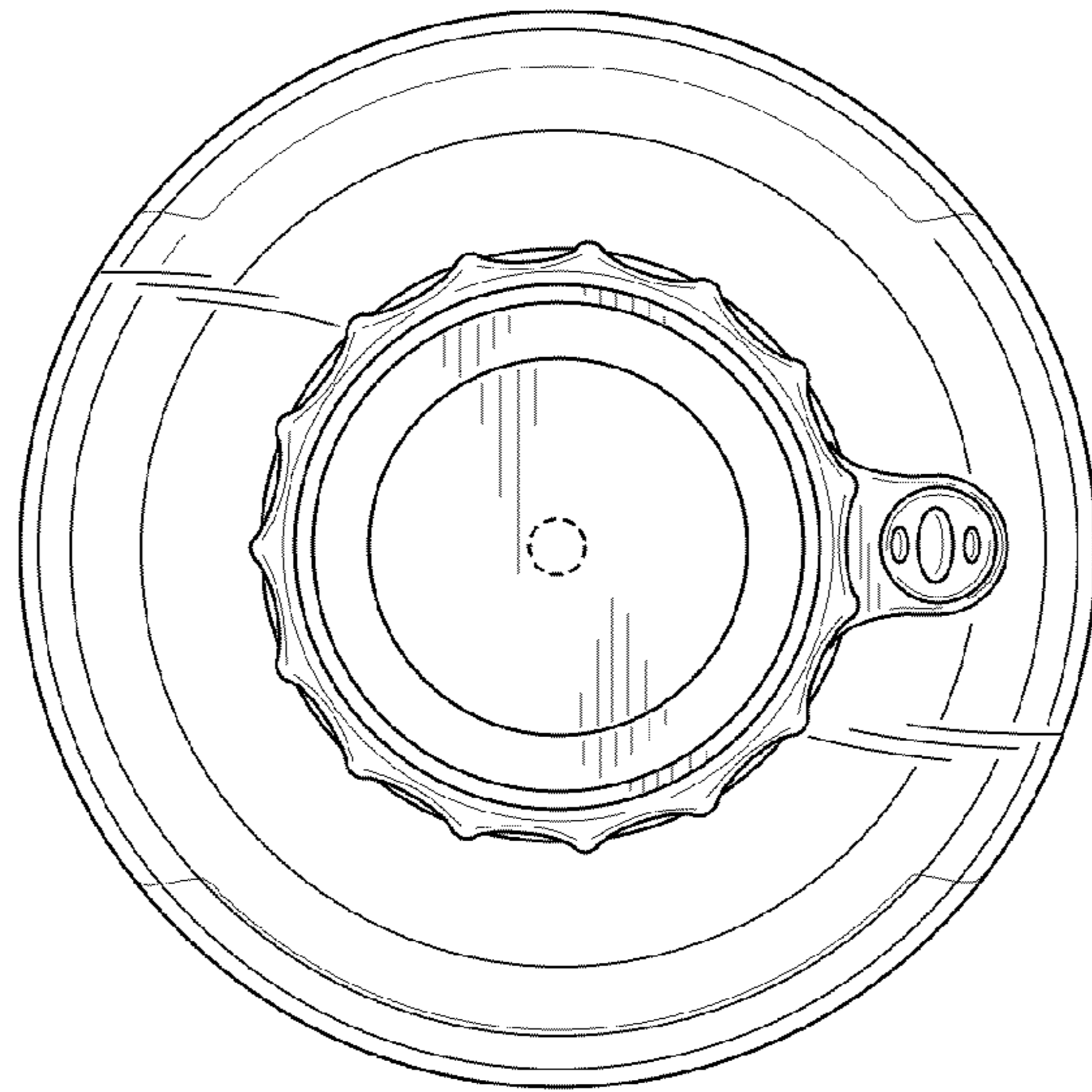


FIG. 5