



US00D744841S

(12) **United States Design Patent**
Llewellyn et al.

(10) **Patent No.:** **US D744,841 S**

(45) **Date of Patent:** **** Dec. 8, 2015**

(54) **BOTTLE**

(71) Applicant: **Robinsons Soft Drinks Limited**, Hemel Hempstead (GB)

(72) Inventors: **Tim Llewellyn**, London (GB); **Ines Sanchez-Calatrava**, London (GB)

(73) Assignee: **ROBINSONS SOFT DRINKS LIMITED**, Hemel Hempstead (GB)

(**) Term: **14 Years**

(21) Appl. No.: **29/434,070**

(22) Filed: **Oct. 9, 2012**

(30) **Foreign Application Priority Data**

May 4, 2012 (EP) 1325799

(51) **LOC (10) Cl.** **09-01**

(52) **U.S. Cl.**
USPC **D9/538; D9/551; D9/552; D9/571;**
D9/453; D9/454

(58) **Field of Classification Search**
USPC **D9/516, 538, 539, 541, 551, 552, 557,**
D9/558, 453, 454; D7/509, 510, 511;
215/382, 383, 384

See application file for complete search history.

(56) **References Cited**

U.S. PATENT DOCUMENTS

D379,154 S * 5/1997 Cox D9/540
D417,156 S * 11/1999 Veyssiere D9/552
D427,071 S * 6/2000 Williams et al. D9/565 X
D453,686 S * 2/2002 Petursdottir D9/570
D466,415 S * 12/2002 Reis D9/552

D506,142 S * 6/2005 Gauthier D9/565 X
D506,931 S * 7/2005 Delmotte D9/538
D515,427 S * 2/2006 Schuller et al. D9/516
D556,581 S * 12/2007 Yamada D9/557 X
D558,582 S * 1/2008 Venkataraman et al. .. D9/552 X
D570,691 S * 6/2008 Robbins et al. D9/516
D573,029 S * 7/2008 Venkataraman et al. D9/538
D601,906 S * 10/2009 Leruste D9/570 X
D611,816 S * 3/2010 Bangi et al. D9/557 X
D619,011 S * 7/2010 Zoppas D9/541
D623,950 S * 9/2010 Eugui et al. D9/516
D637,909 S * 5/2011 Fleischhacker et al. ... D9/539 X
D644,930 S * 9/2011 White et al. D9/540
D682,700 S * 5/2013 White et al. D9/538
8,469,214 B2 * 6/2013 Boukobza 215/375
D699,580 S * 2/2014 Eaton et al. D9/516
8,870,006 B2 * 10/2014 Kamineni et al. 215/382
D719,449 S * 12/2014 Eaton et al. D9/516
8,905,253 B2 * 12/2014 Mooney 215/381
2007/0257003 A1 * 11/2007 Colloud 215/382

* cited by examiner

Primary Examiner — Carol P Rademaker

(74) *Attorney, Agent, or Firm* — Jean C. Edwards, Esq.;
Edwards Neils PLLC

(57) **CLAIM**

The ornamental design for a bottle, as shown.

DESCRIPTION

FIG. 1 is a perspective view of a bottle showing my new design;

FIG. 2 is a front elevational view thereof;

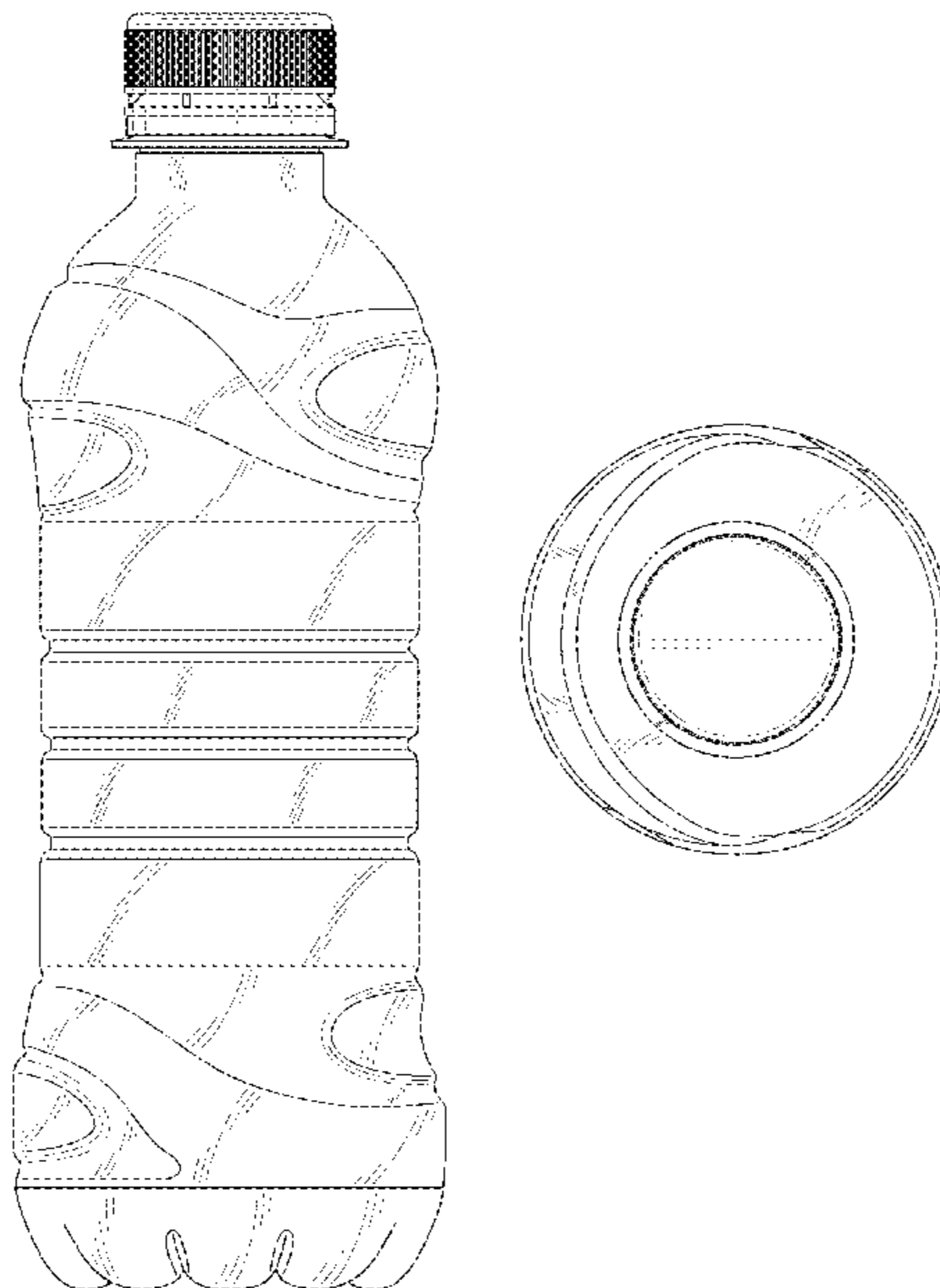
FIG. 3 is a rear elevational view thereof;

FIG. 4 is a left elevational view thereof;

FIG. 5 is a right elevational view thereof; and,

FIG. 6 is a top plan view thereof.

1 Claim, 6 Drawing Sheets



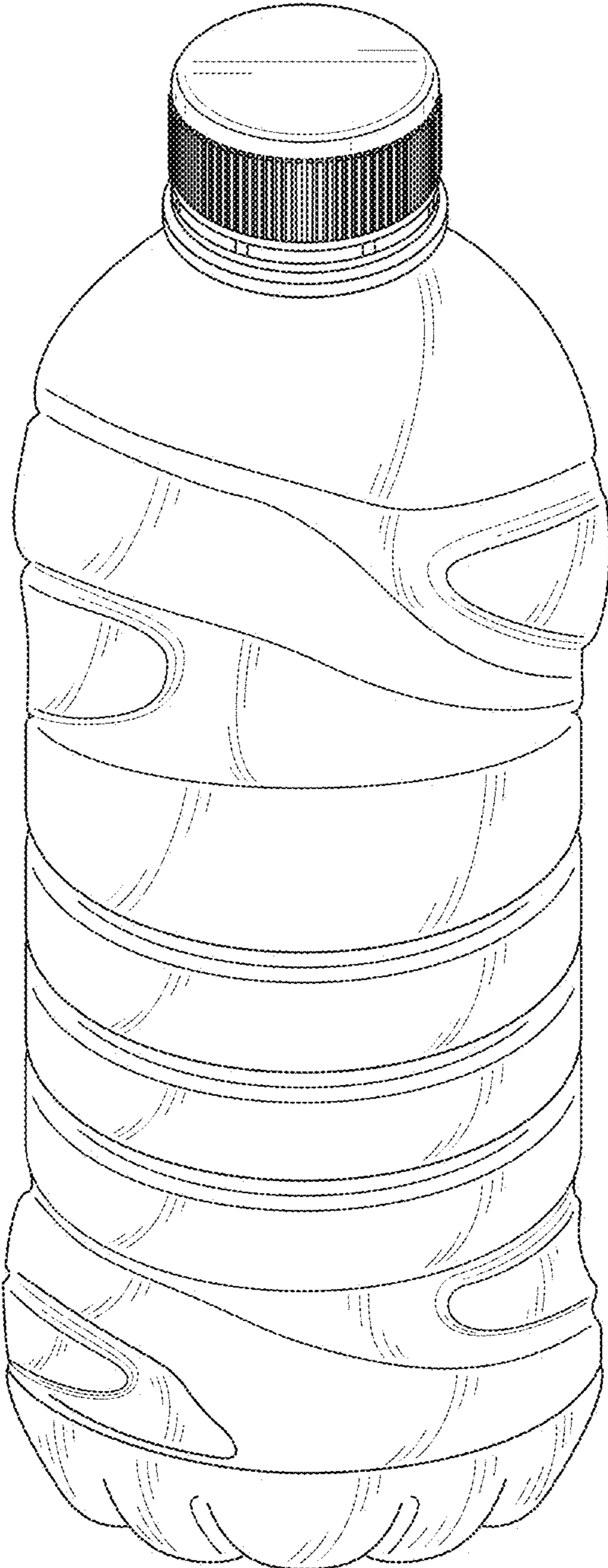


FIG. 1

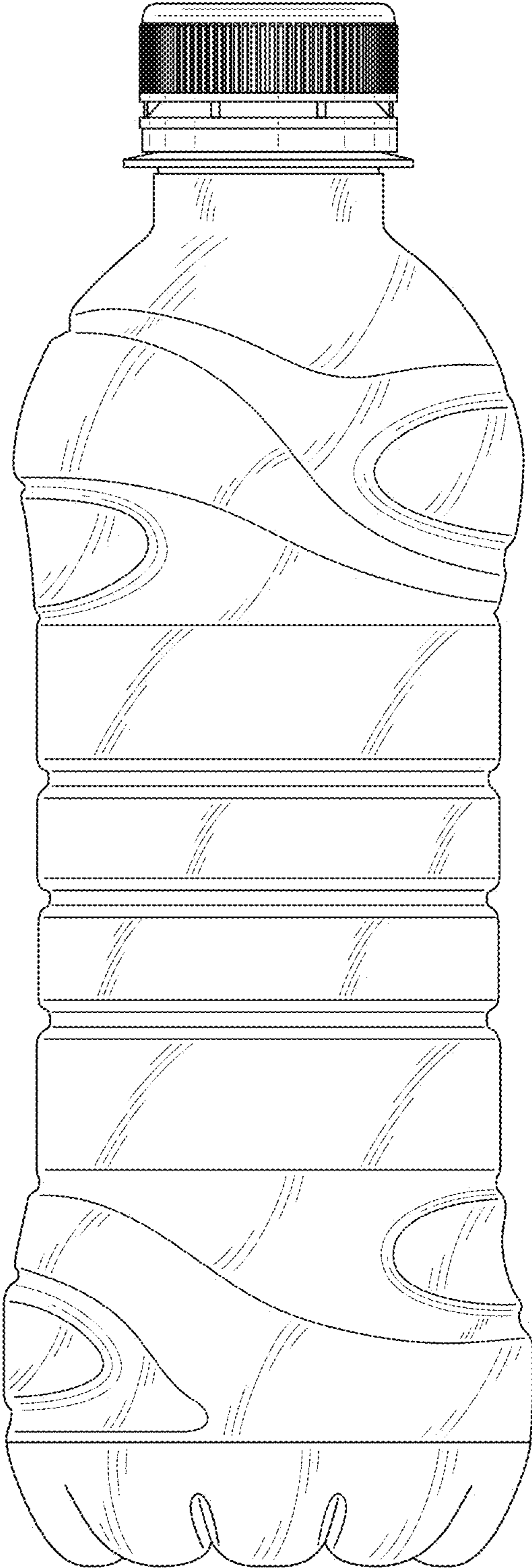


FIG. 2

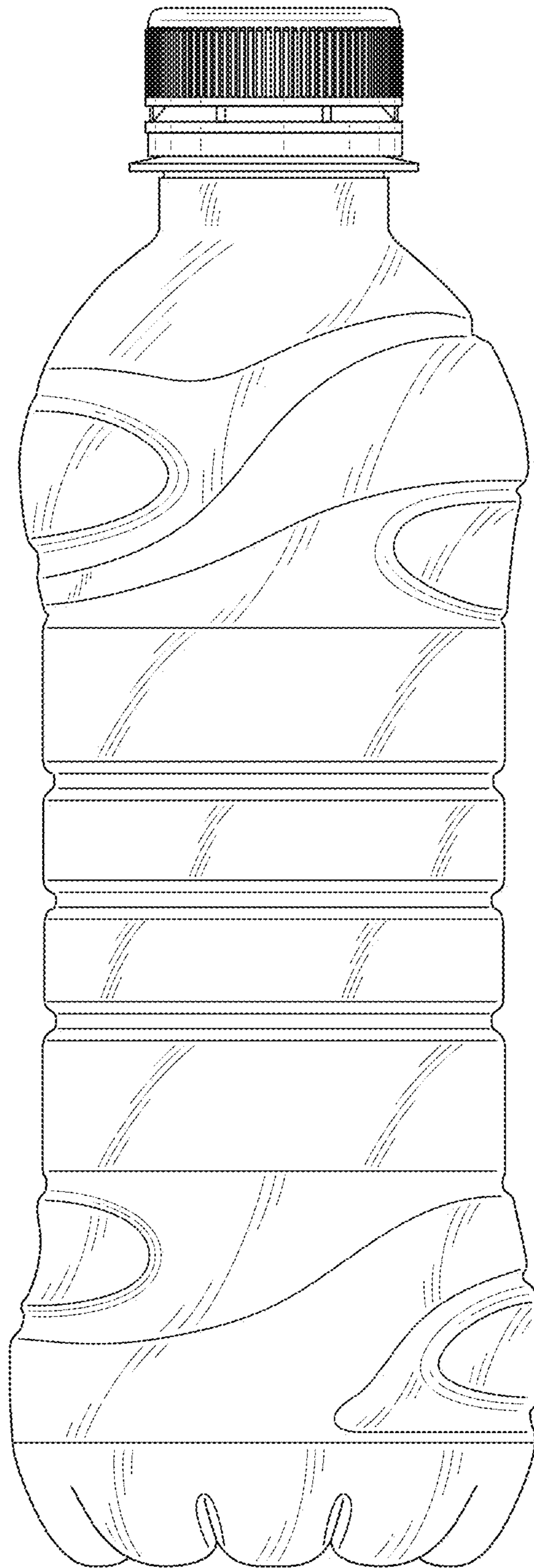


FIG. 3

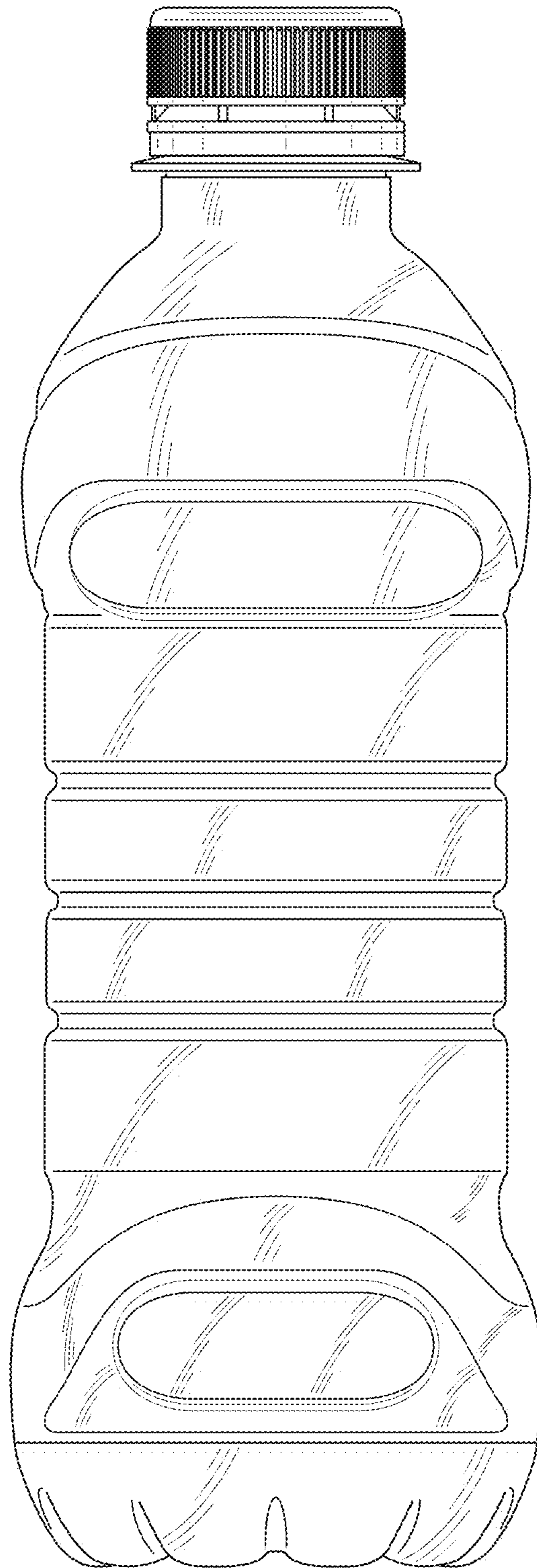


FIG. 4

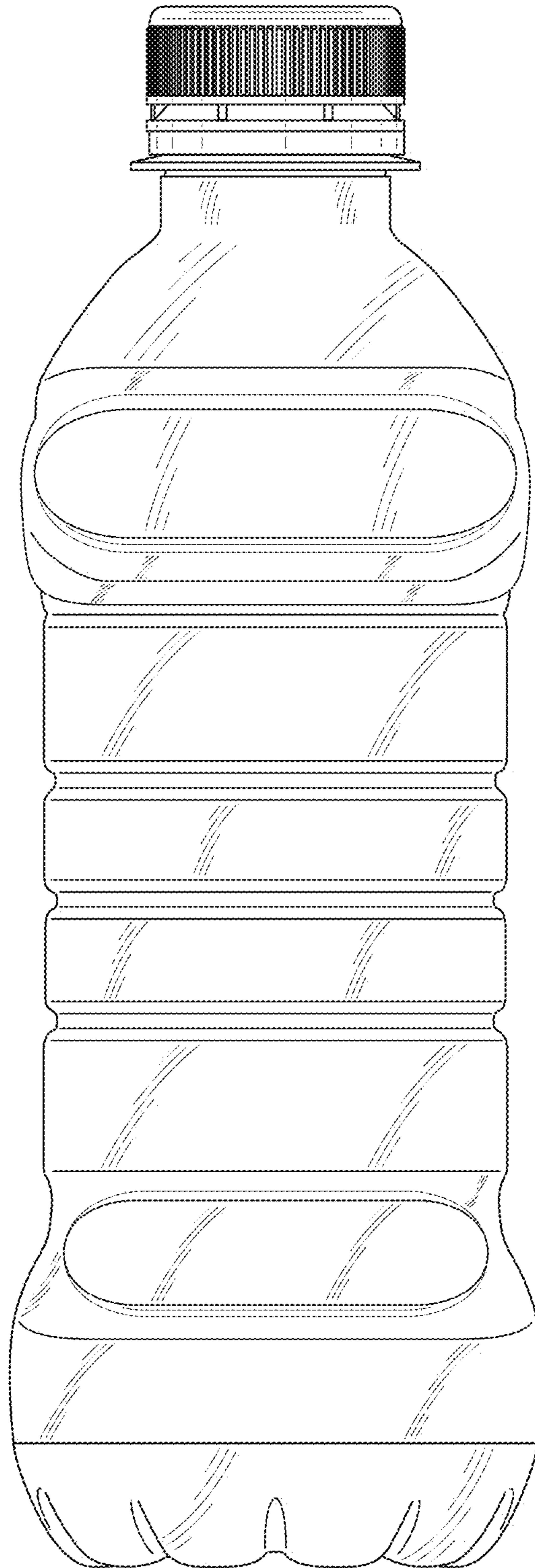


FIG. 5

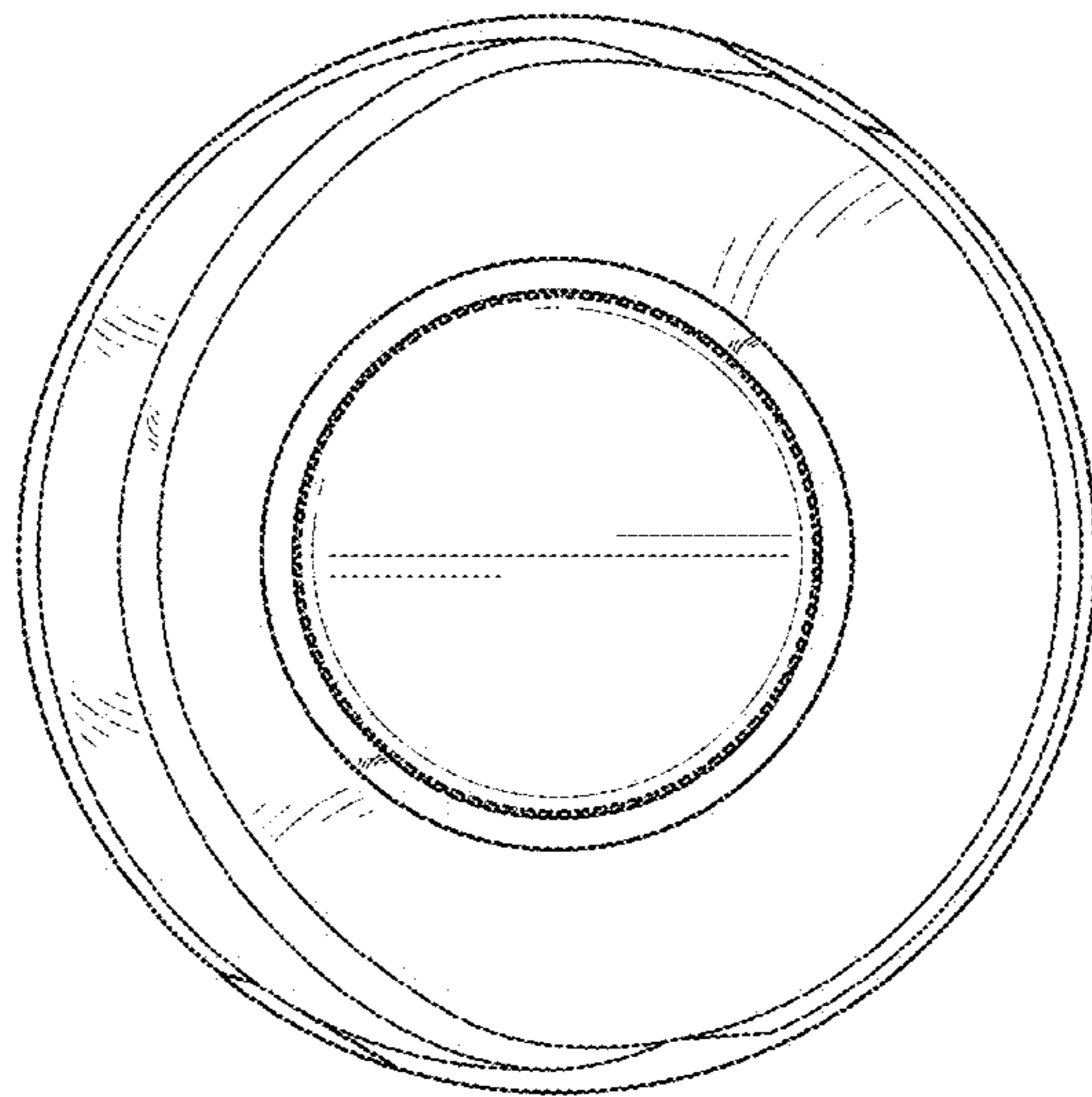


FIG. 6