



US00D744840S

(12) **United States Design Patent**
Hawry

(10) **Patent No.:** **US D744,840 S**
(45) **Date of Patent:** **** Dec. 8, 2015**

(54) **BOTTLE**

(71) Applicant: **Berlin Packaging, LLC**, Chicago, IL
(US)

(72) Inventor: **Liam Hawry**, Chicago, IL (US)

(73) Assignee: **Berling Packaging, LLC**, Chicago, IL
(US)

(**) Term: **14 Years**

(21) Appl. No.: **29/500,898**

(22) Filed: **Aug. 29, 2014**

(51) **LOC (10) Cl.** **09-01**

(52) **U.S. Cl.**
USPC **D9/529**

(58) **Field of Classification Search**
USPC D9/516, 520, 522, 529, 530, 531, 536,
D9/543, 563, 572-574; 215/14, 214, 217,
215/223, 379, 382-385, 396, 398; 220/220,
220/890; 222/210, 212, 215
CPC B65D 1/0223; B65D 1/0284; B65D 23/10;
B65D 2501/0081; B65D 2203/02
See application file for complete search history.

(56) **References Cited**

U.S. PATENT DOCUMENTS

D344,235 S * 2/1994 Bridger D9/520
D347,387 S * 5/1994 Bridger D9/520
D368,226 S * 3/1996 Ring D9/528

D377,759 S * 2/1997 Hot D9/520
D393,206 S * 4/1998 McCurry, Jr. D9/520
D429,644 S * 8/2000 Hughes D9/528
D528,424 S * 9/2006 Archeny D9/527
2008/0254245 A1* 10/2008 Penescu B32B 1/02
428/36.7

* cited by examiner

Primary Examiner — Derrick Holland

Assistant Examiner — Janice Lim

(74) *Attorney, Agent, or Firm* — Adam K. Sacharoff; Much
Shelist

(57) **CLAIM**

The ornamental design for a bottle, as shown and described.

DESCRIPTION

FIG. 1 is a front right side perspective view of a bottle,
showing my new design;
FIG. 2 is a front left side perspective view thereof;
FIG. 3 is a bottom right side perspective view thereof;
FIG. 4 is a bottom left side perspective view thereof;
FIG. 5 is a right side elevation view thereof;
FIG. 6 is a left side elevation view thereof;
FIG. 7 is a rear elevation view thereof;
FIG. 8 is a front elevation view thereof;
FIG. 9 is a top plan view thereof; and,
FIG. 10 is a bottom plan view thereof.

The broken line portions of FIGS. 1-9 are included to show
unclaimed subject matter only and form no part of the claimed
design.

1 Claim, 10 Drawing Sheets

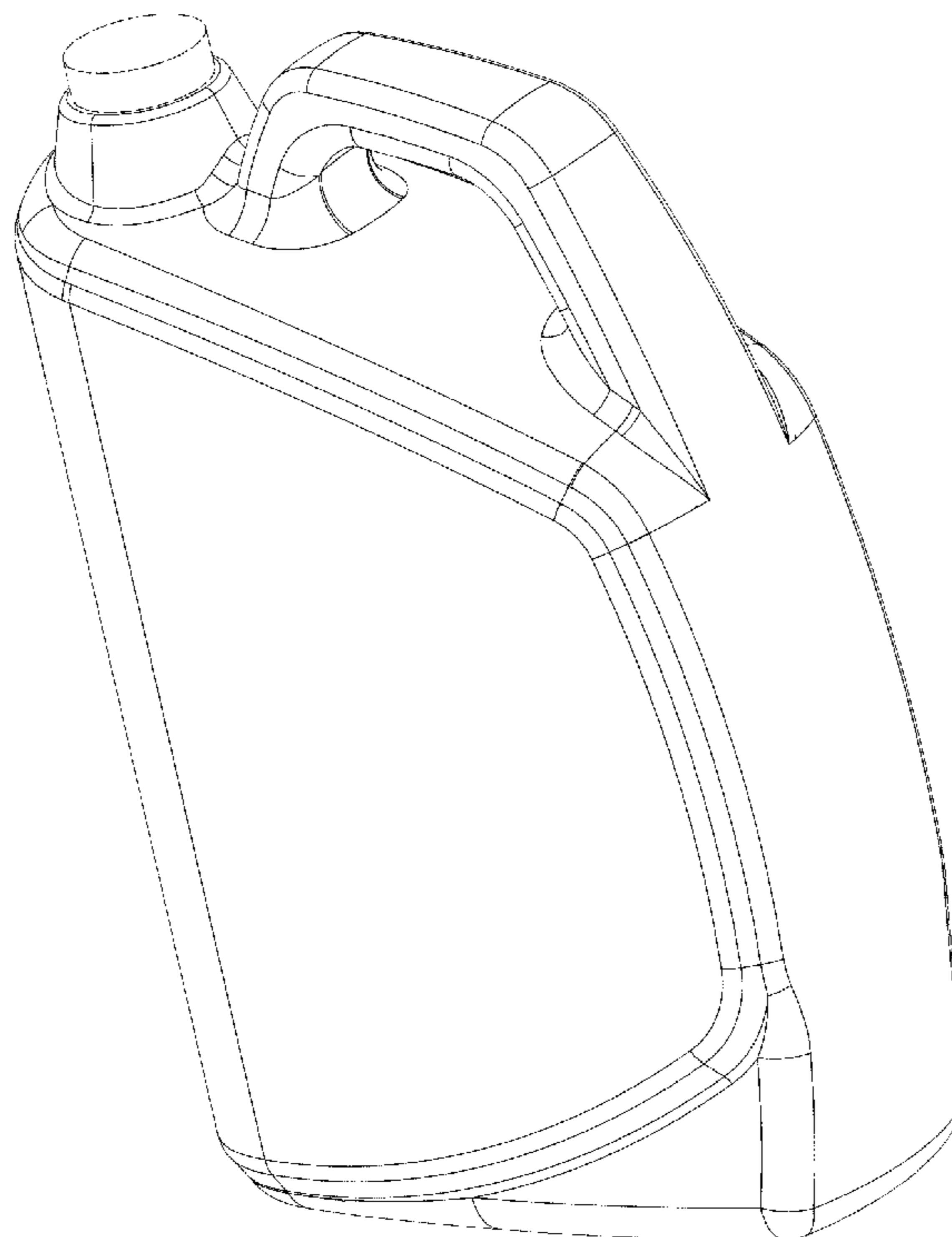


FIGURE 1

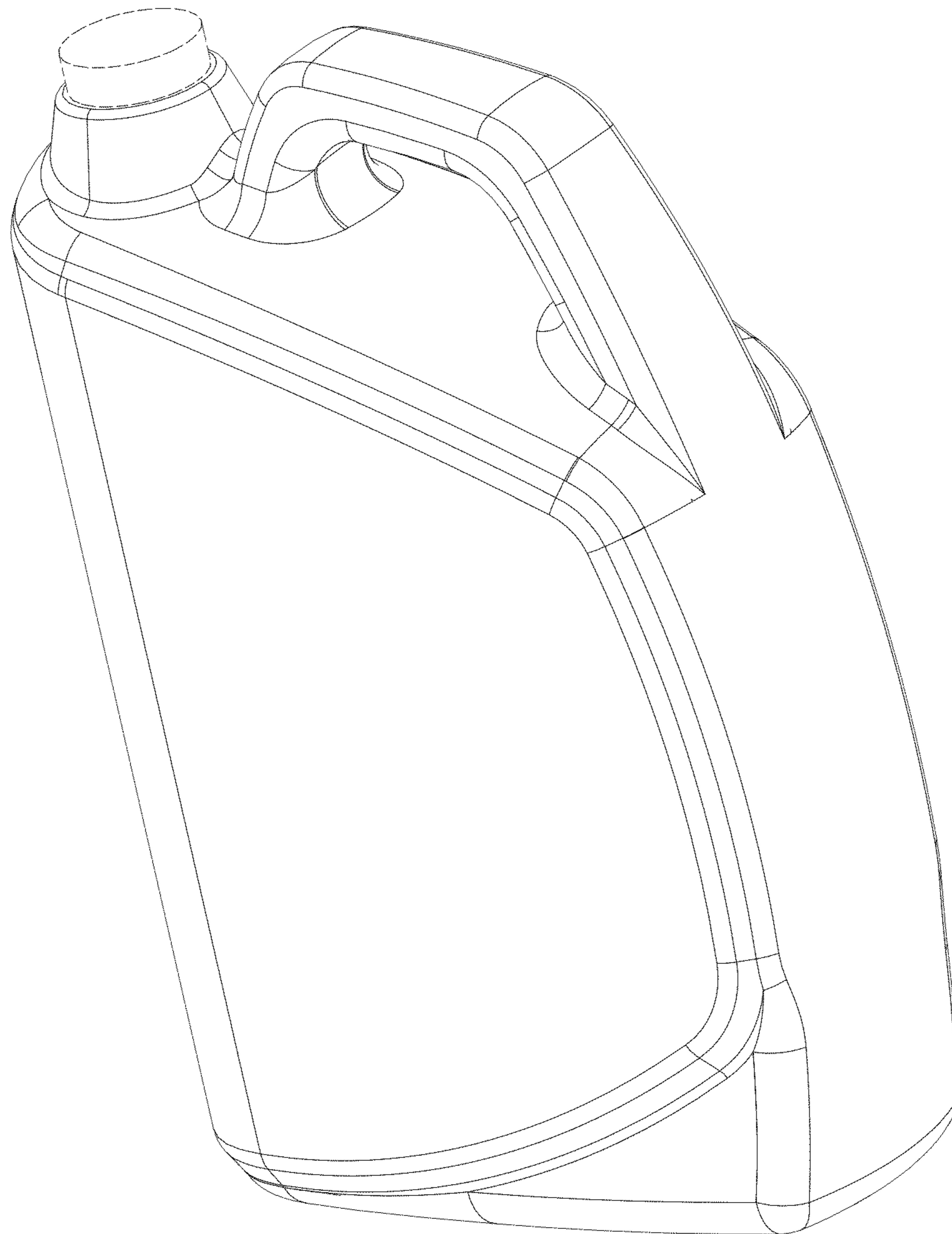


FIGURE 2

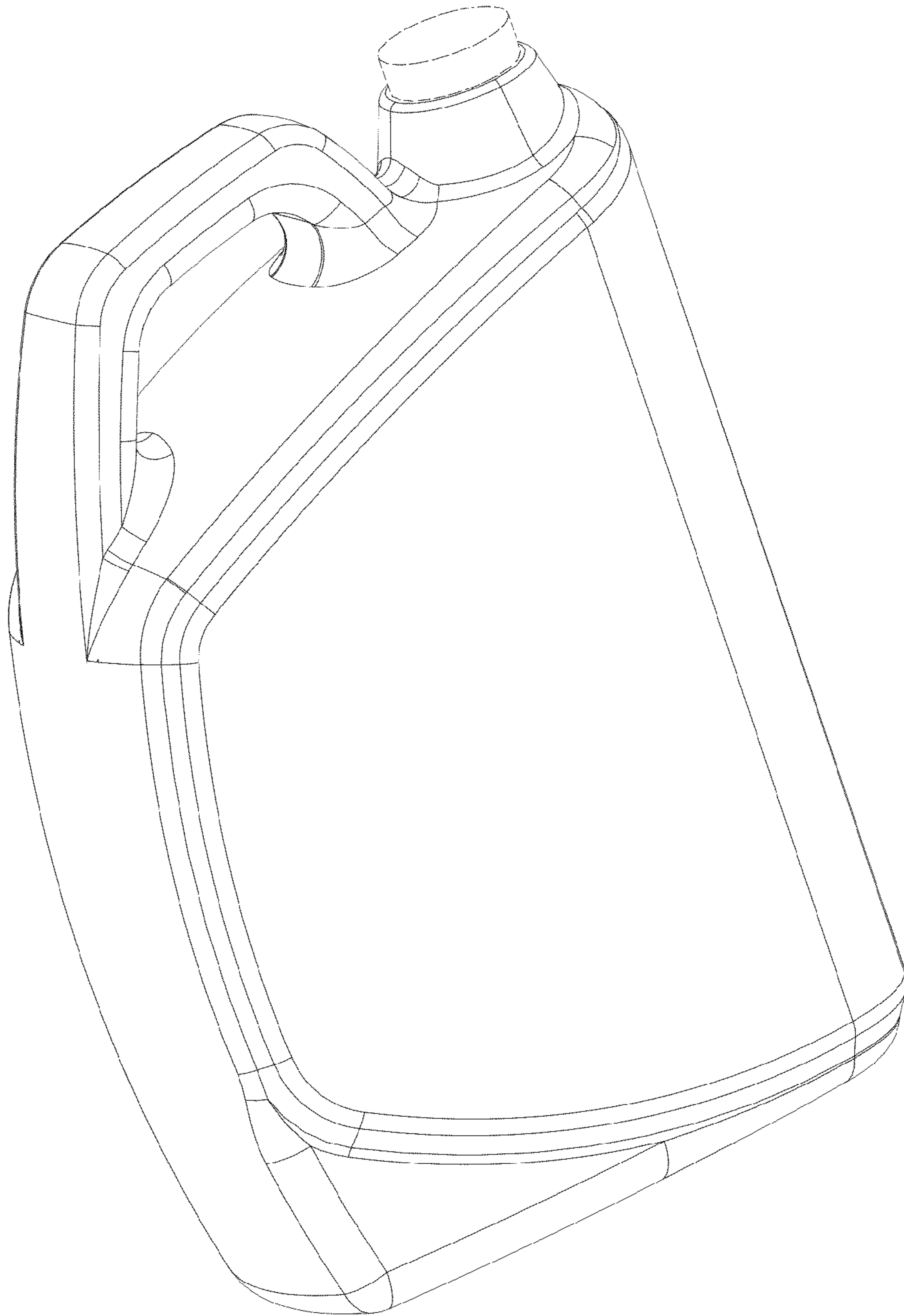


FIGURE 3

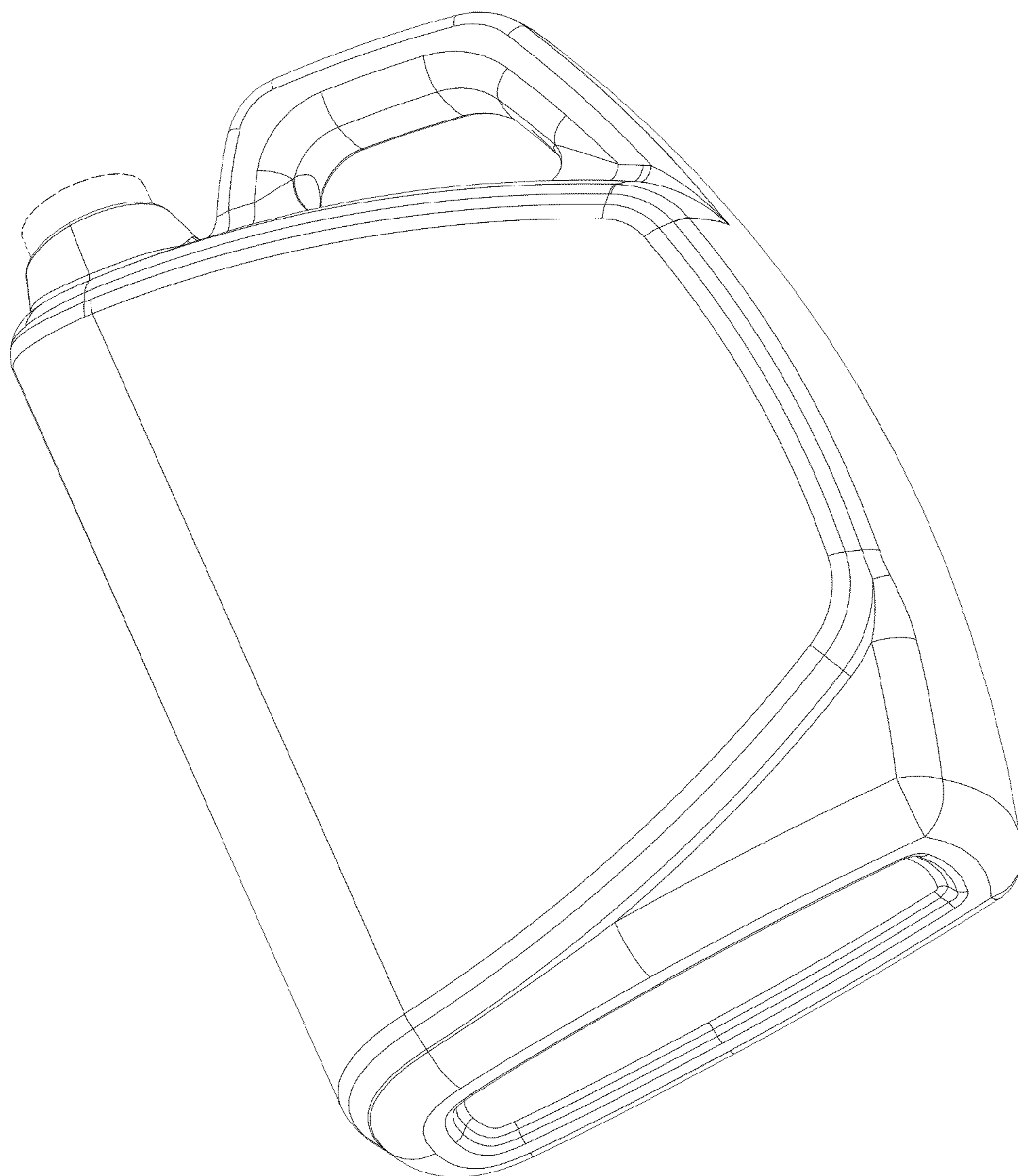


FIGURE 4

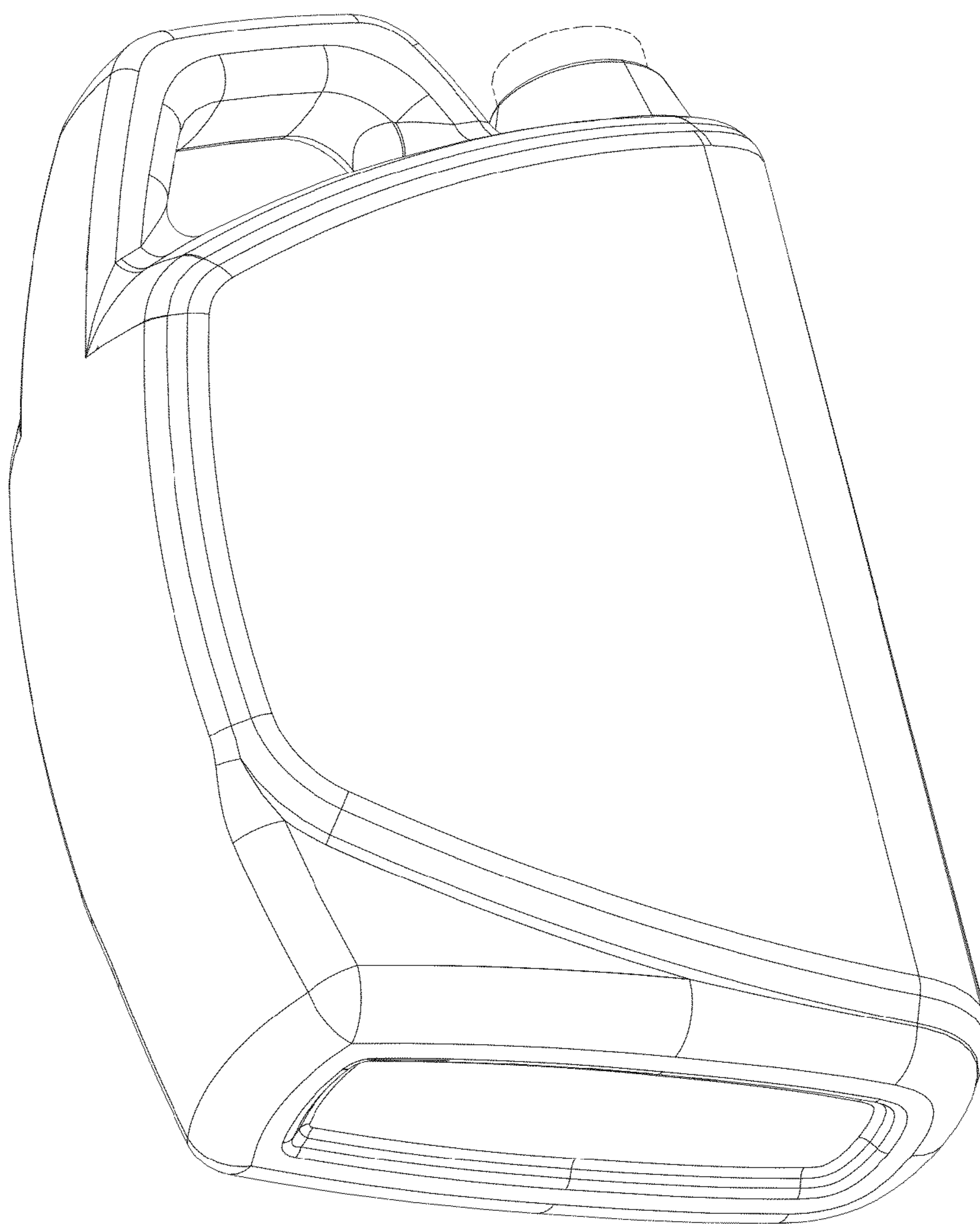


FIGURE 5

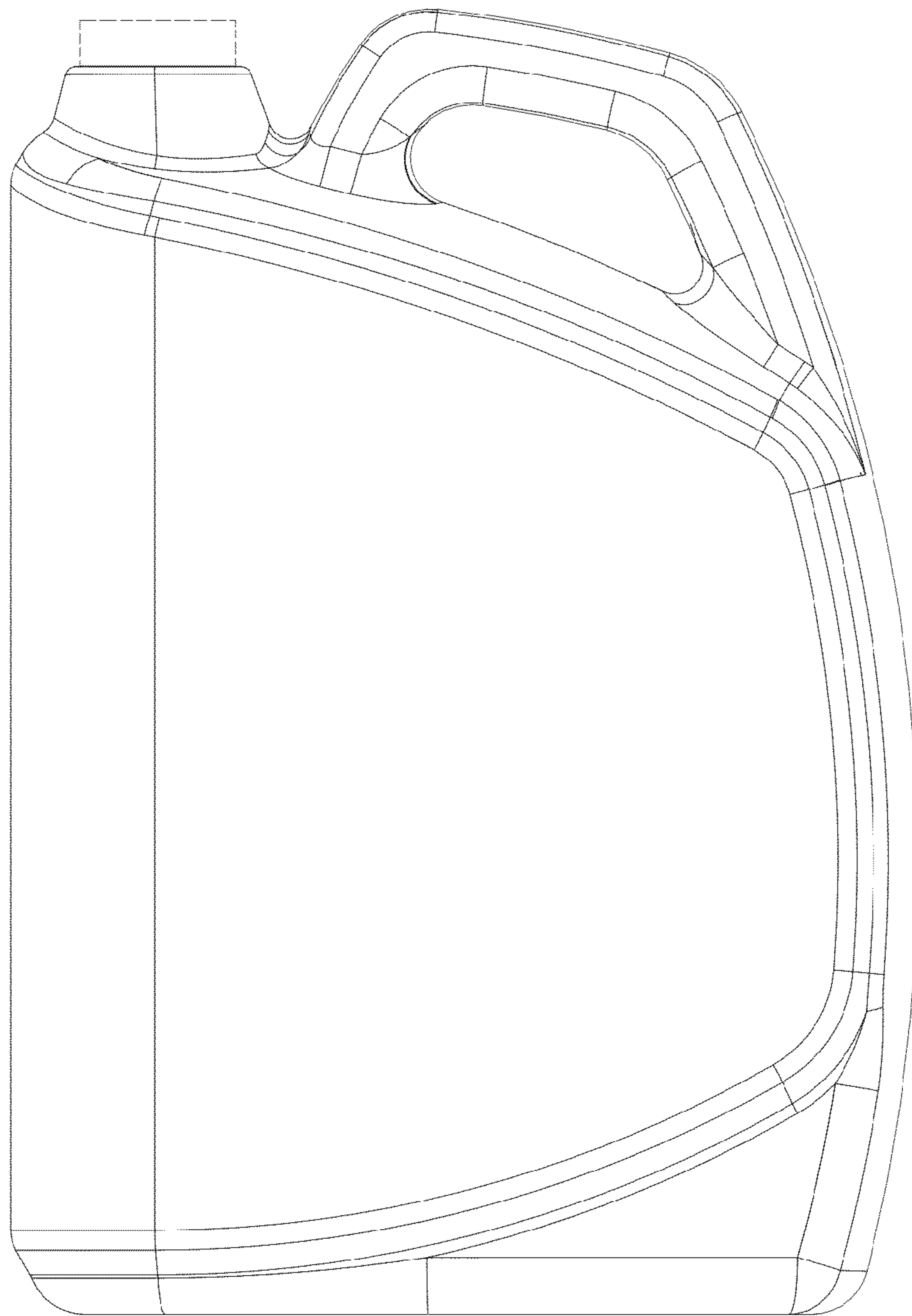


FIGURE 6

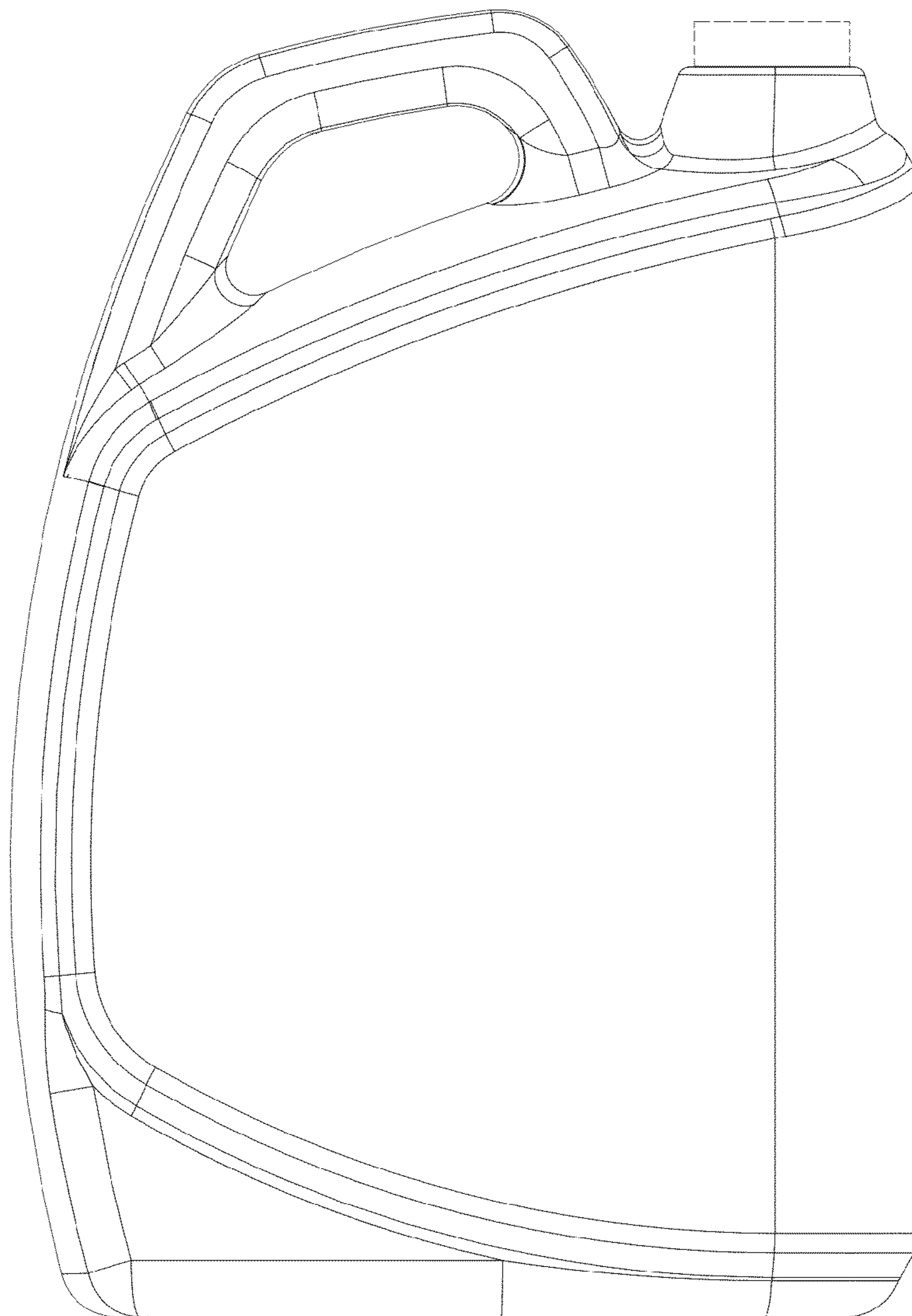


FIGURE 7

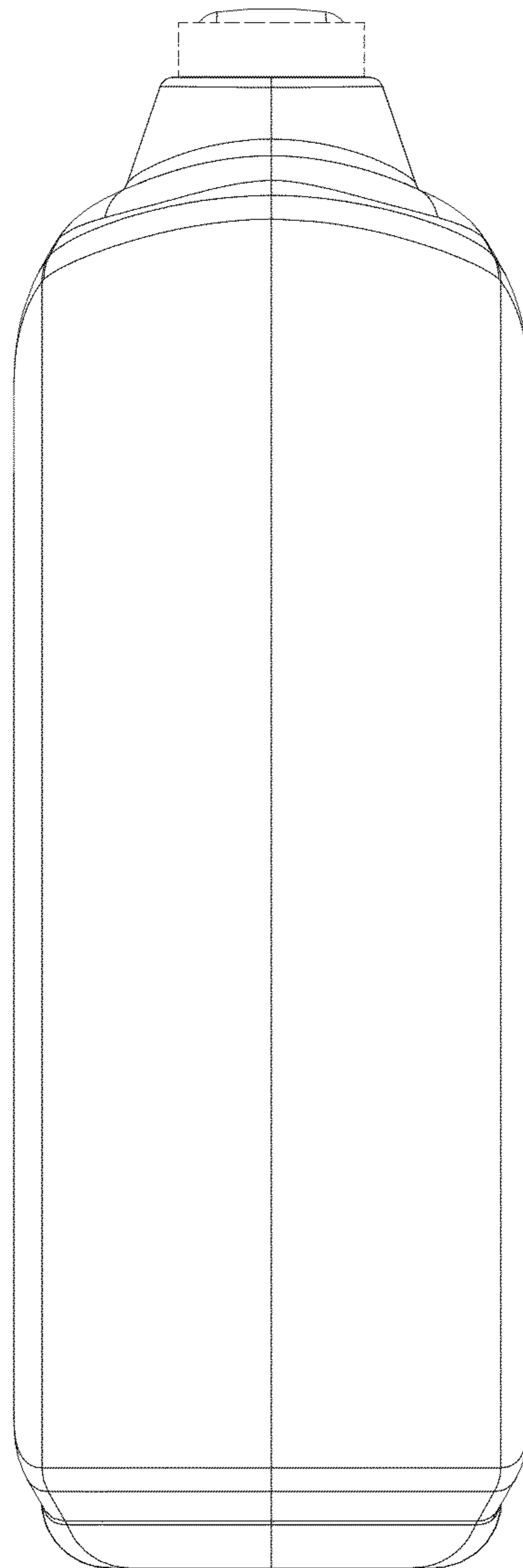


FIGURE 8

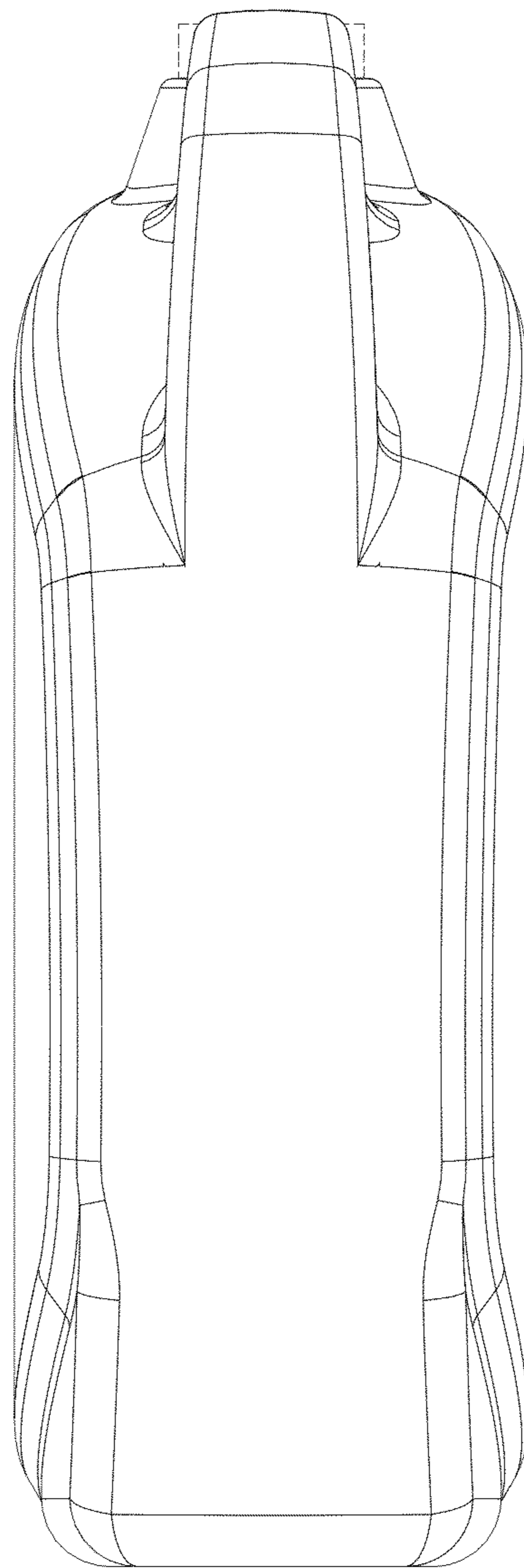


FIGURE 9

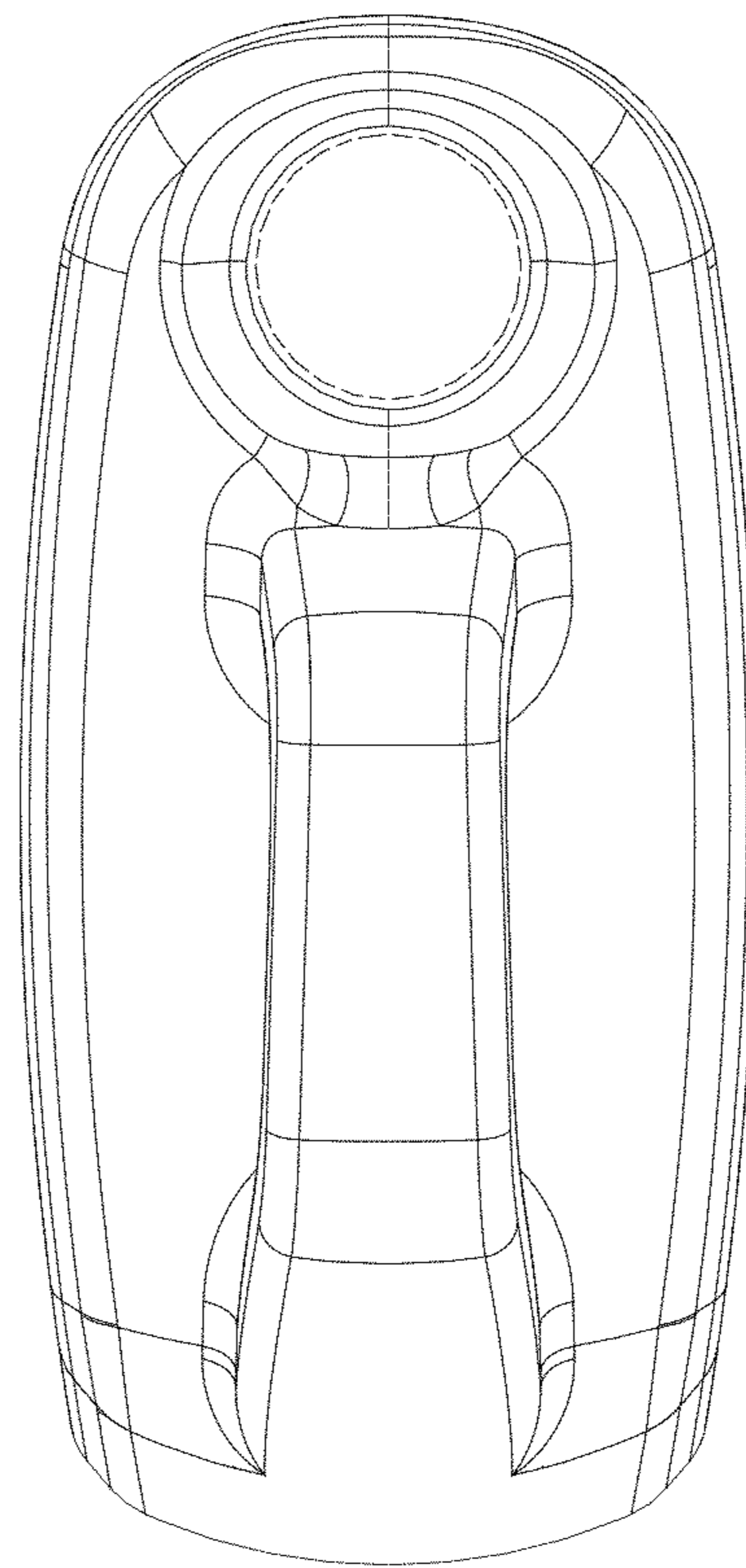


FIGURE 10

