



US00D744838S

(12) **United States Design Patent**
Iglesias Rodriguez

(10) **Patent No.:** **US D744,838 S**

(45) **Date of Patent:** **** Dec. 8, 2015**

(54) **CONTAINER**

(71) Applicant: **Manuel Iglesias Rodriguez**, Buenos Aires (AR)

(72) Inventor: **Manuel Iglesias Rodriguez**, Buenos Aires (AR)

(**) Term: **14 Years**

(21) Appl. No.: **29/459,241**

(22) Filed: **Jun. 27, 2013**

(51) **LOC (10) Cl.** **09-01**

(52) **U.S. Cl.**
USPC **D9/520; D9/531**

(58) **Field of Classification Search**
USPC D7/300, 300.1, 304, 305, 311, 312, 313, D7/317, 327, 500, 505, 510, 511, 589, 601, D7/602, 608, 619.1, 620, 622; D9/500, D9/501, 502, 503, 504, 516, 517, 519, 520, D9/528, 529, 530, 531, 537, 549, 556, 569, D9/715, 719, 730, 733, 738, 739, 751, 752, D9/759; D23/202, 204, 205; 215/10, 42, 215/370, 382; 220/669, 671
See application file for complete search history.

(56) **References Cited**

U.S. PATENT DOCUMENTS

526,940 A * 10/1894 Pettit et al. 215/10
D242,834 S * 12/1976 Little D7/313

D262,521 S * 1/1982 Frahm et al. D9/557
D262,522 S * 1/1982 Frahm et al. D9/557
D326,051 S * 5/1992 Frahm D9/558
D326,608 S * 6/1992 Frahm D9/500
D326,609 S * 6/1992 Stenger D9/502
D334,345 S * 3/1993 Wright D9/553
5,217,128 A * 6/1993 Stenger 215/370
D365,757 S * 1/1996 Stenger D9/502
D474,692 S * 5/2003 Yu D9/531

* cited by examiner

Primary Examiner — Susan Bennett Hattan

Assistant Examiner — Leanne Was

(74) *Attorney, Agent, or Firm* — Albert Bordas, P.A.

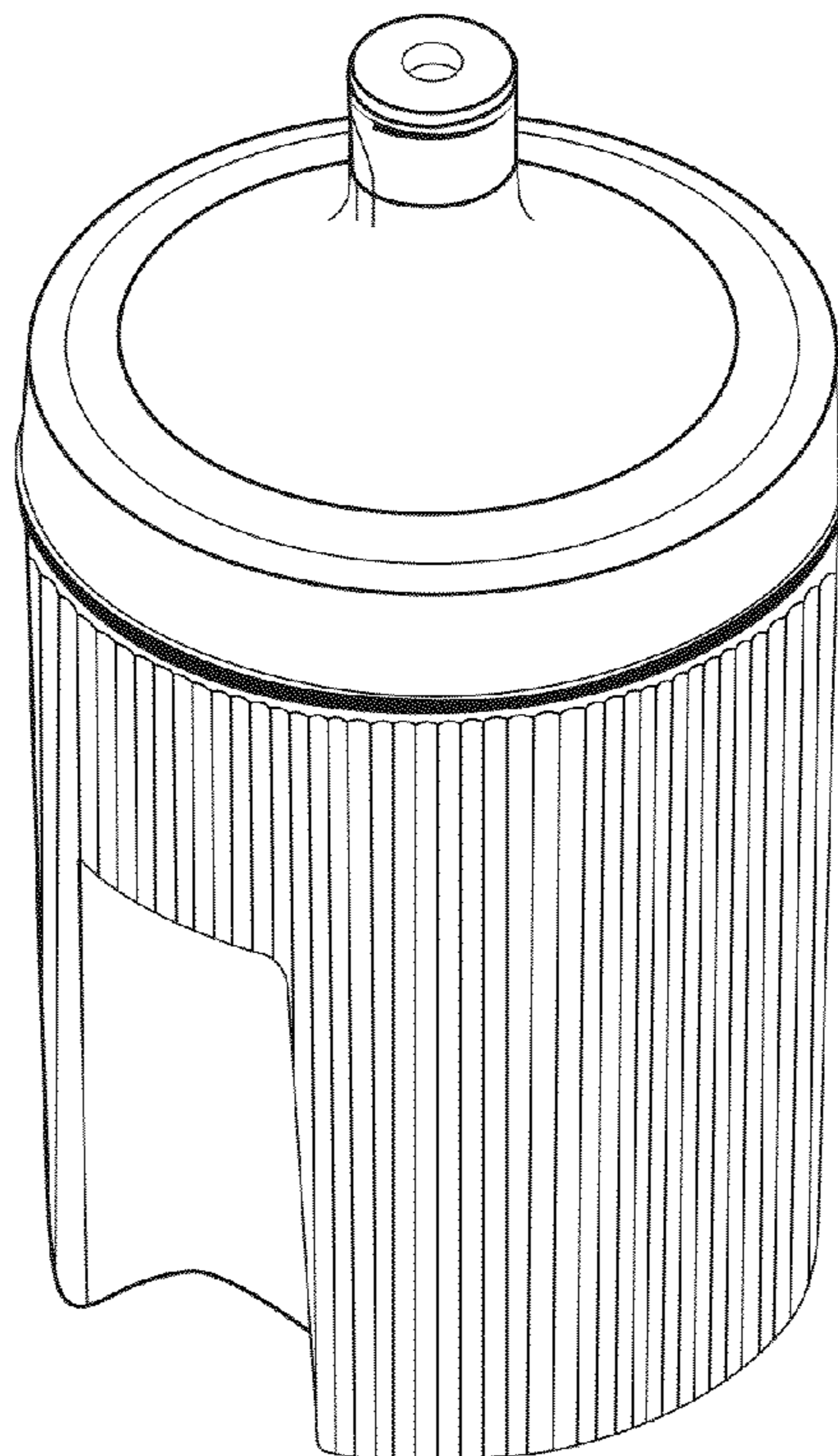
(57) **CLAIM**

The ornamental design for a container, as shown and described.

DESCRIPTION

FIG. 1 is a top plan view of a container;
FIG. 2 is a front elevational view thereof;
FIG. 3 is a bottom view thereof;
FIG. 4 is a left elevational view thereof;
FIG. 5 is a rear elevational view thereof;
FIG. 6 is a right elevational view thereof;
FIG. 7 is an isometric view thereof; and,
FIG. 8 is a longitudinal cross-section taken along line 8-8 in FIG. 7, showing details of the design not seen in other views.
The claimed container is used to store water or any other drinkable liquid while facilitates they are piled.

1 Claim, 4 Drawing Sheets



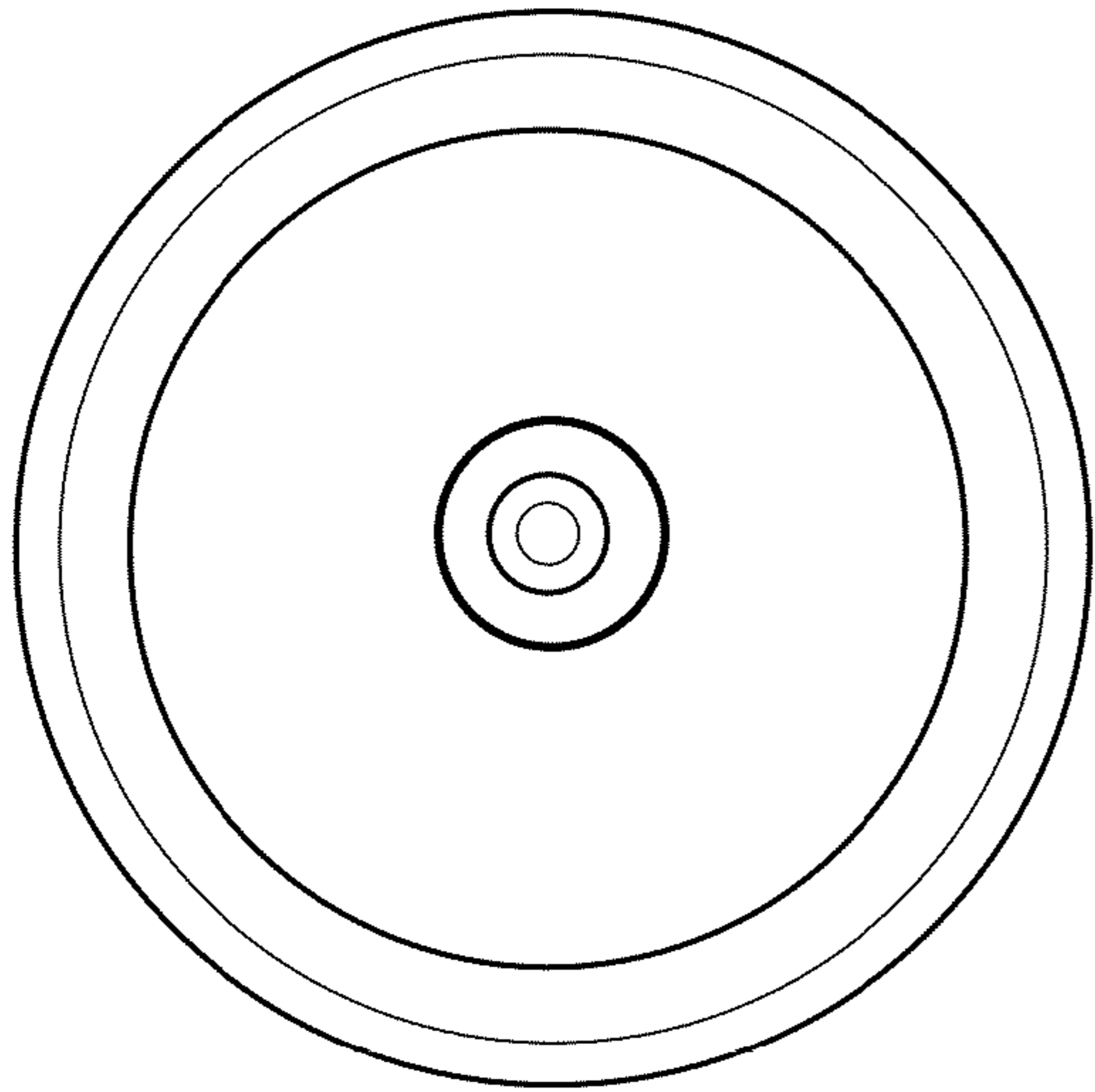


FIG.1

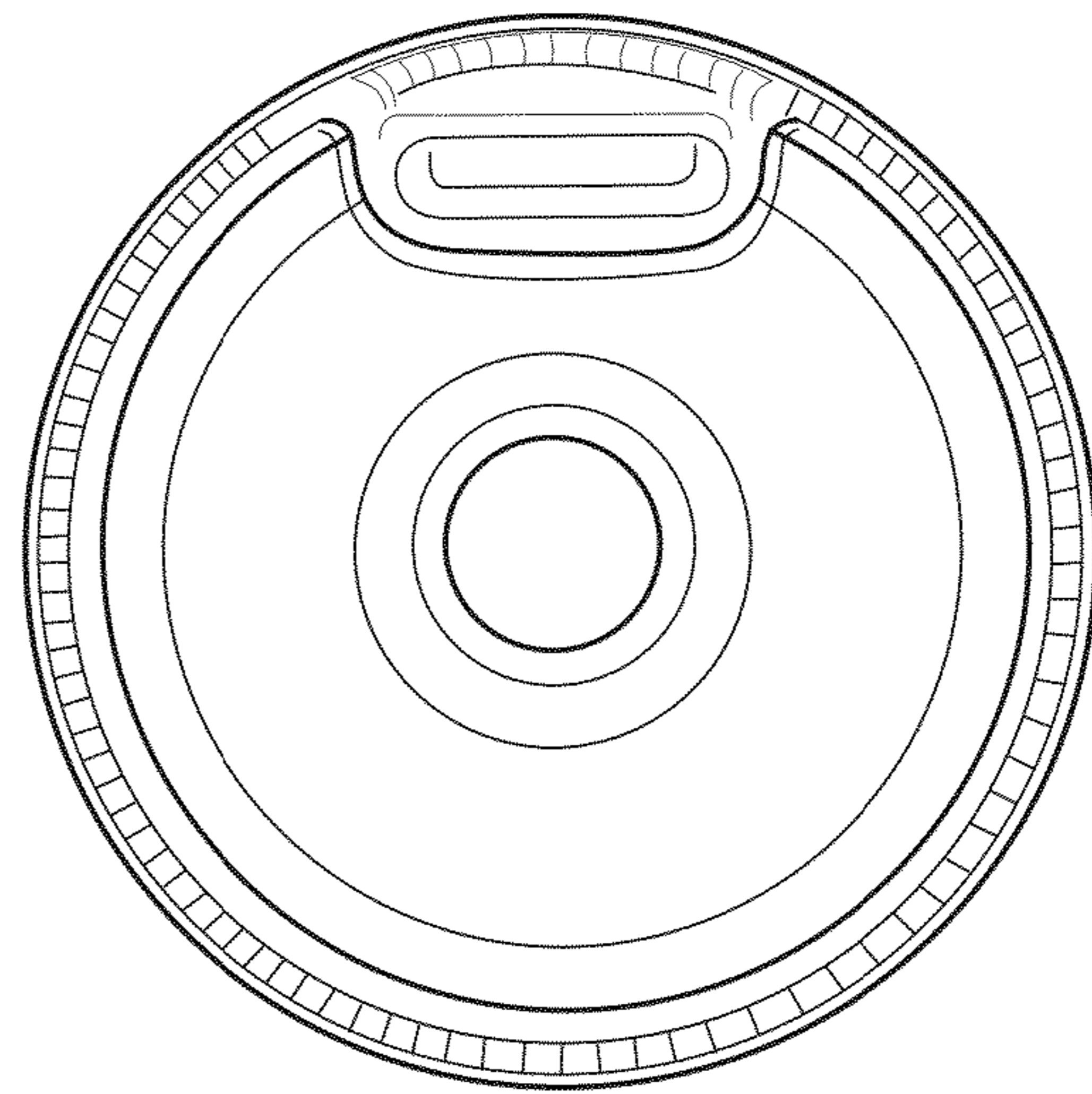


FIG.3

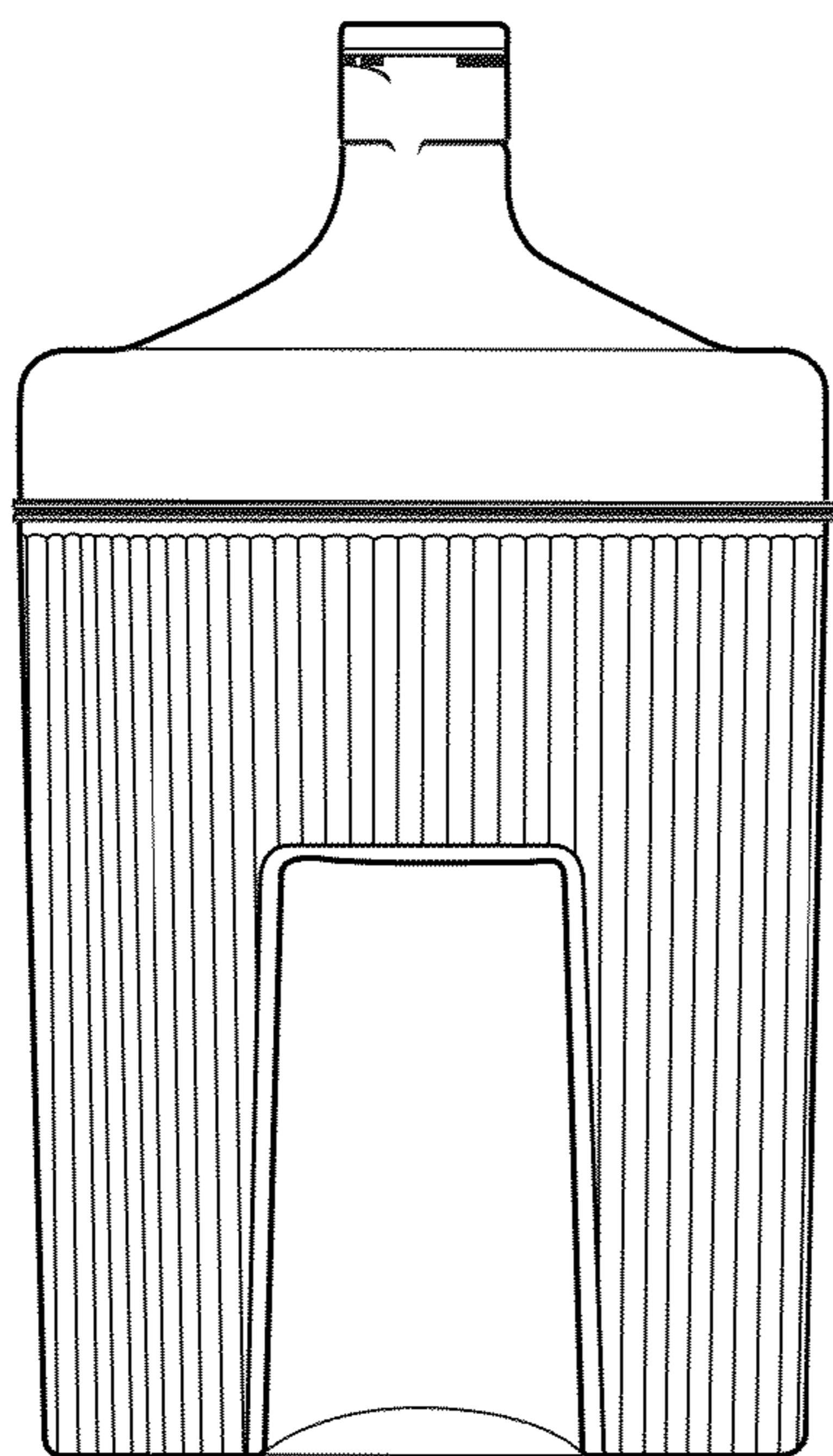


FIG.2

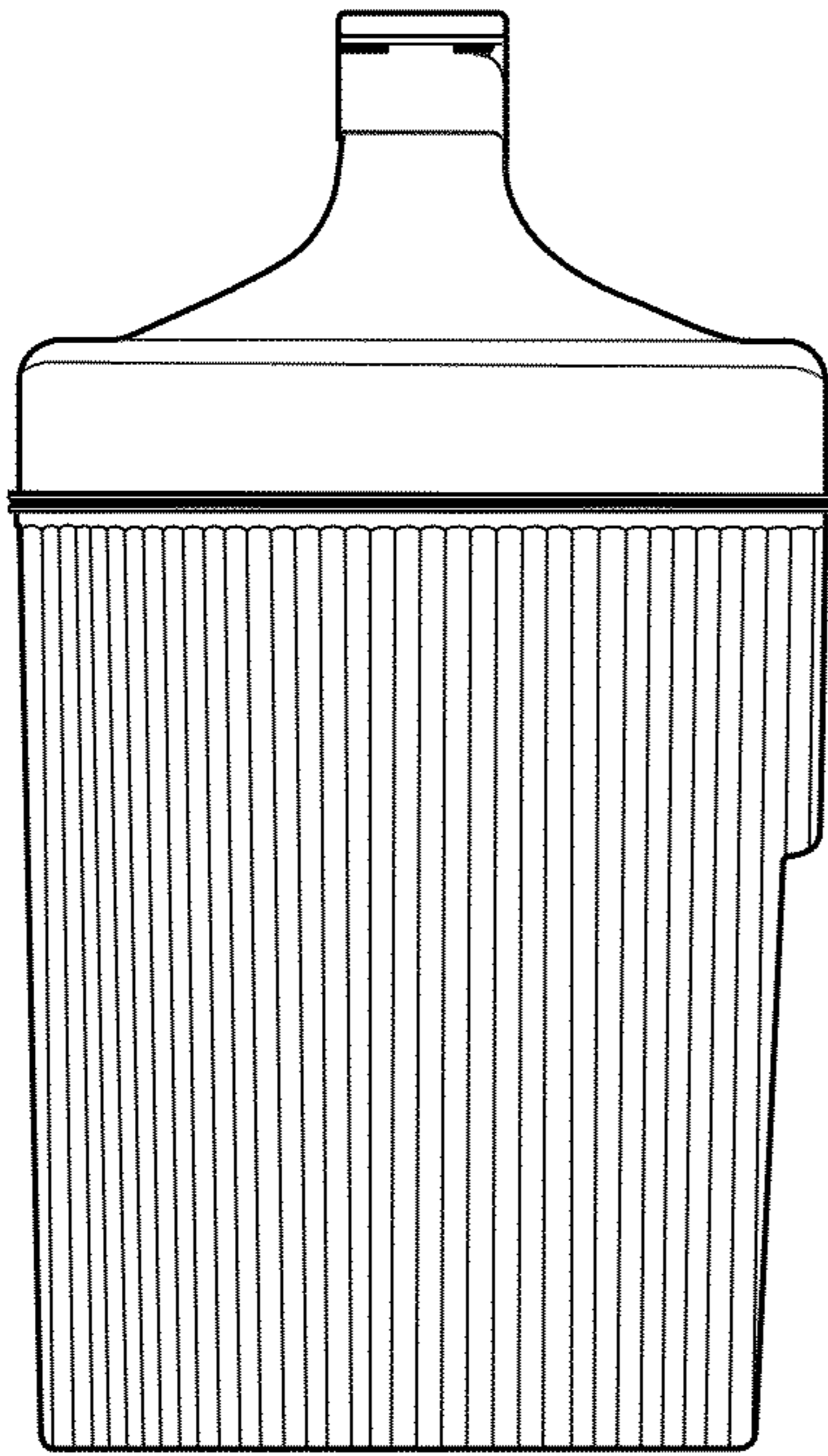


FIG.4

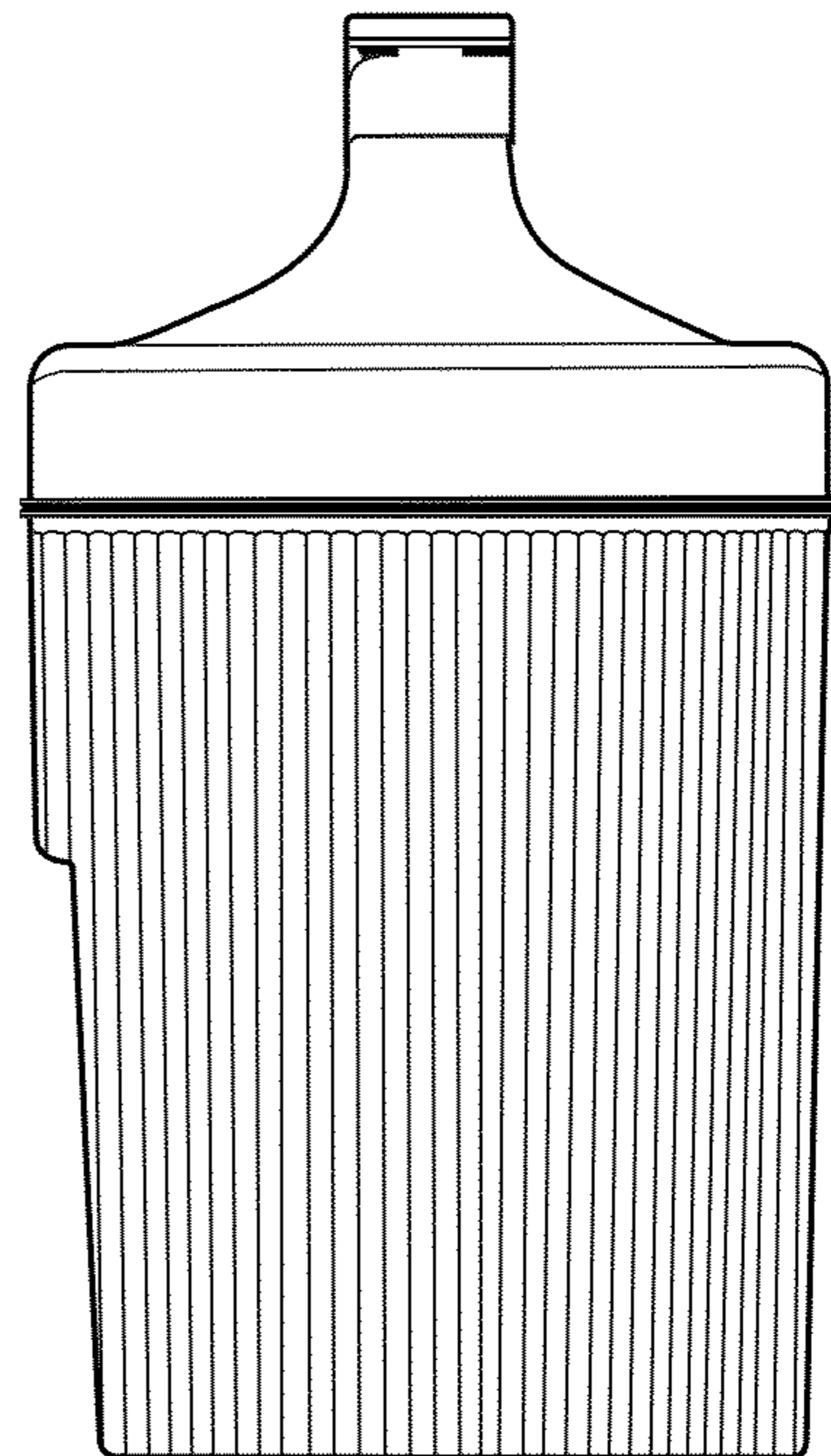


FIG.6

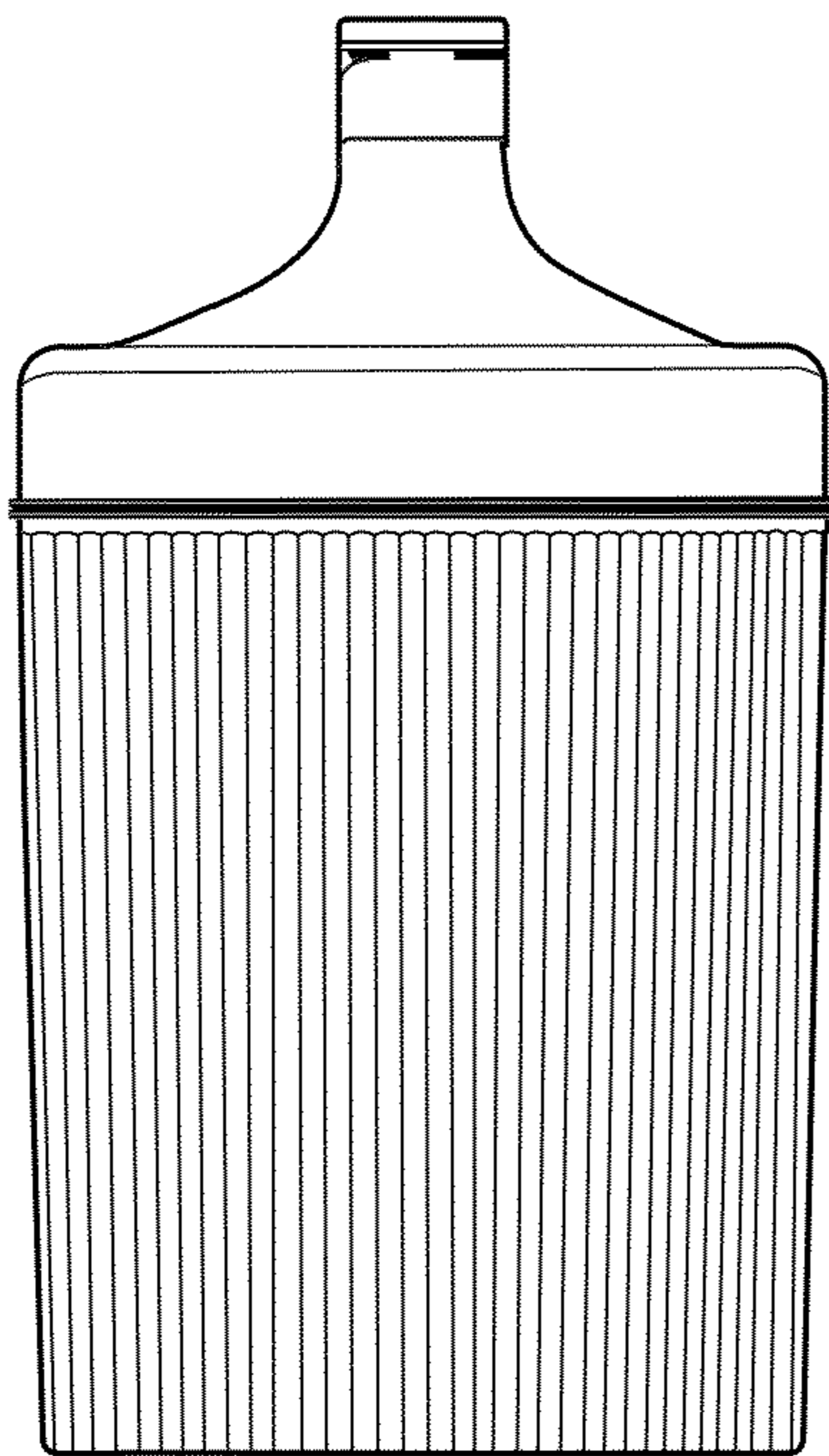


FIG.5

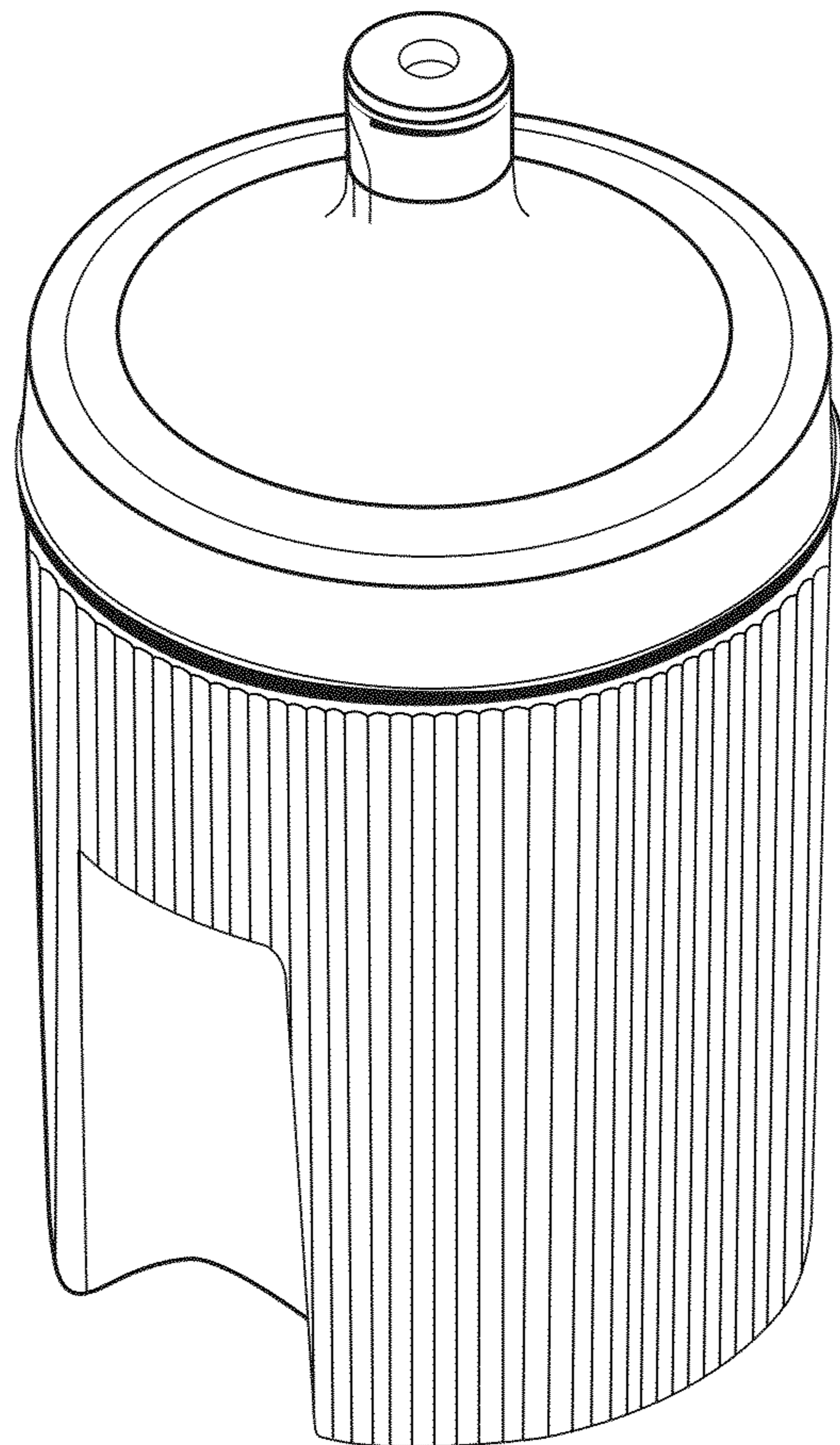


FIG.7

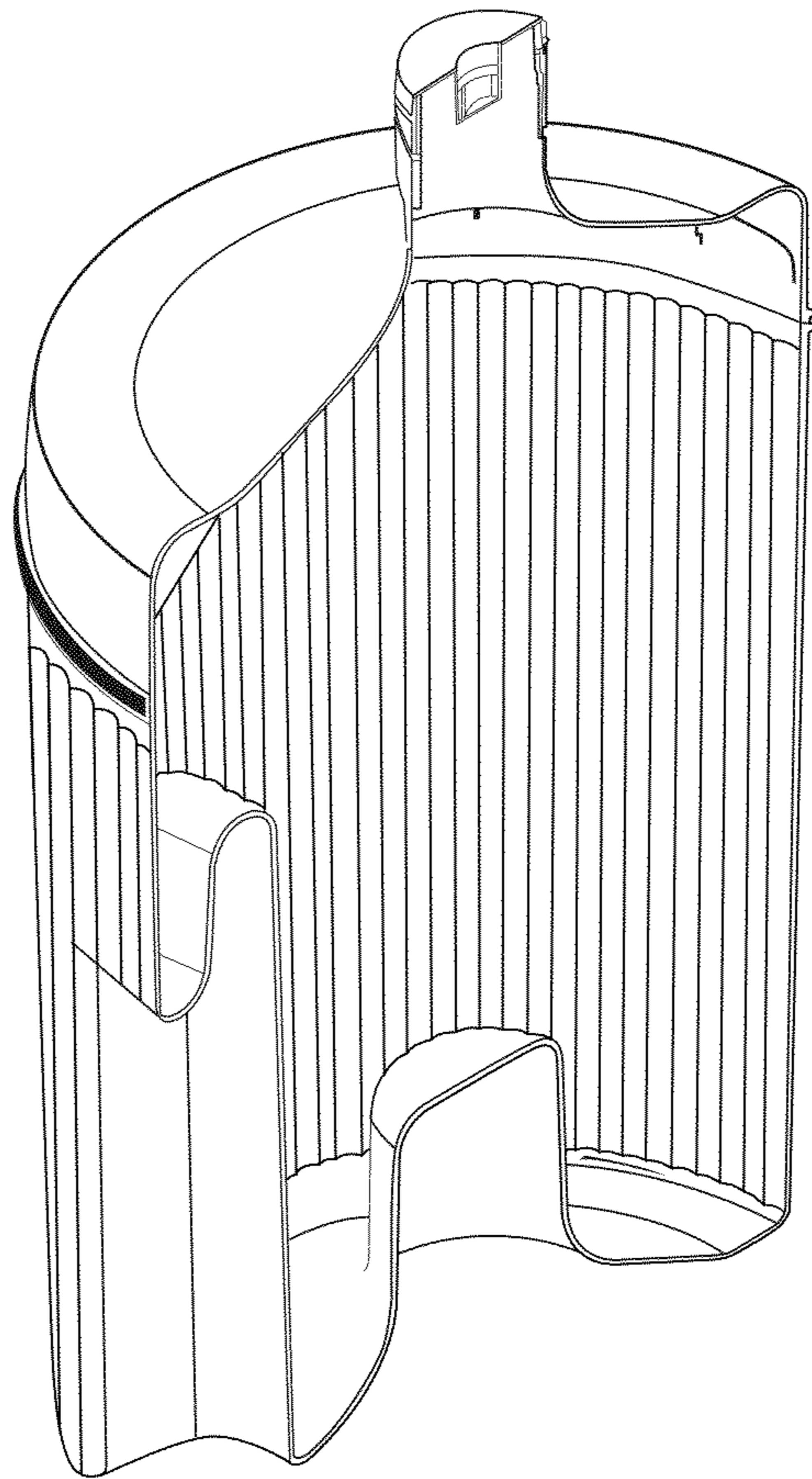


FIG.8