



US00D744835S

(12) **United States Design Patent**
Warner et al.

(10) **Patent No.:** **US D744,835 S**
(45) **Date of Patent:** **** Dec. 8, 2015**

(54) **BOTTLE**

(71) Applicant: **fairlife, LLC**, Chicago, IL (US)

(72) Inventors: **Jim F. Warner**, Chicago, IL (US);
Bryan Shova, Chicago, IL (US);
Jennifer Bae, Chicago, IL (US)

(73) Assignee: **FAIRLIFE, LLC**, Chicago, IL (US)

(**) Term: **14 Years**

(21) Appl. No.: **29/485,670**

(22) Filed: **Mar. 21, 2014**

(51) **LOC (10) Cl.** **09-01**

(52) **U.S. Cl.**

USPC **D9/502**

(58) **Field of Classification Search**

USPC D9/500, 502-503, 516, 530, 537-539,
D9/549, 557-558, 715, 719; D7/532;
D24/197

CPC B65D 1/00; B65D 1/02; B65D 1/0223;
B65D 23/00; B65D 81/00; B65D 83/00;
B65D 2501/00; B65D 2501/0009

See application file for complete search history.

(56) **References Cited**

U.S. PATENT DOCUMENTS

| | | | | |
|--------------|--------|---------------|-------|--------|
| D538,658 S * | 3/2007 | Horne et al. | | D9/502 |
| D545,194 S * | 6/2007 | Goudsblom | | D9/502 |
| D590,267 S * | 4/2009 | Oommen et al. | | D9/539 |
| D608,203 S * | 1/2010 | Yourist | | D9/502 |
| D609,103 S * | 2/2010 | Marold et al. | | D9/538 |
| D613,166 S * | 4/2010 | Bentley | | D9/502 |

| | | | | |
|-------------------|---------|------------------|-------|-----------|
| D626,848 S * | 11/2010 | Chewning et al. | | D9/538 |
| D633,793 S * | 3/2011 | Reagan et al. | | D9/500 |
| D642,471 S * | 8/2011 | White et al. | | D9/502 |
| D645,351 S * | 9/2011 | McMillan et al. | | D9/502 |
| D653,951 S * | 2/2012 | Scott | | D9/502 |
| D667,306 S * | 9/2012 | Verea | | D9/502 |
| D682,700 S * | 5/2013 | White et al. | | D9/538 |
| D689,375 S * | 9/2013 | Garner | | D9/745 |
| D691,479 S * | 10/2013 | Bea et al. | | D9/503 |
| D700,517 S * | 3/2014 | Oommen et al. | | D9/500 |
| D703,538 S * | 4/2014 | Paredes et al. | | D9/500 |
| D726,539 S * | 4/2015 | Paredes et al. | | D9/500 |
| 2008/0308442 A1 * | 12/2008 | Spigelman et al. | | 206/459.1 |

* cited by examiner

Primary Examiner — Dana L Meyrow

(74) *Attorney, Agent, or Firm* — Shumaker, Loop & Kendrick, LLP

(57) **CLAIM**

The ornamental design for a bottle, as shown and described.

DESCRIPTION

FIG. 1 is a top perspective view of a bottle showing our new design;

FIG. 2 is a bottom perspective view thereof;

FIG. 3 is a front elevation view thereof, the rear elevation view being identical except from the unclaimed thread details;

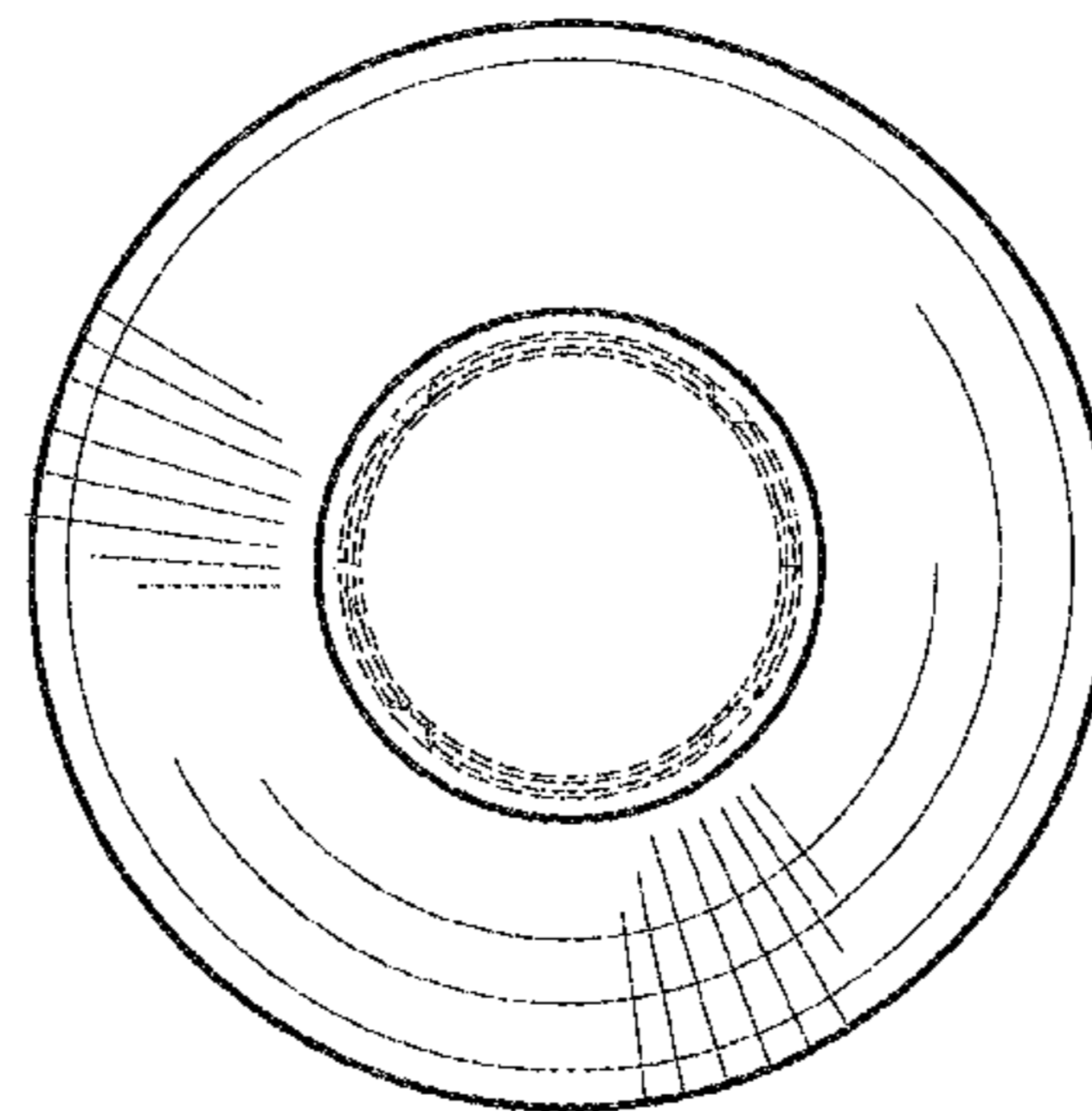
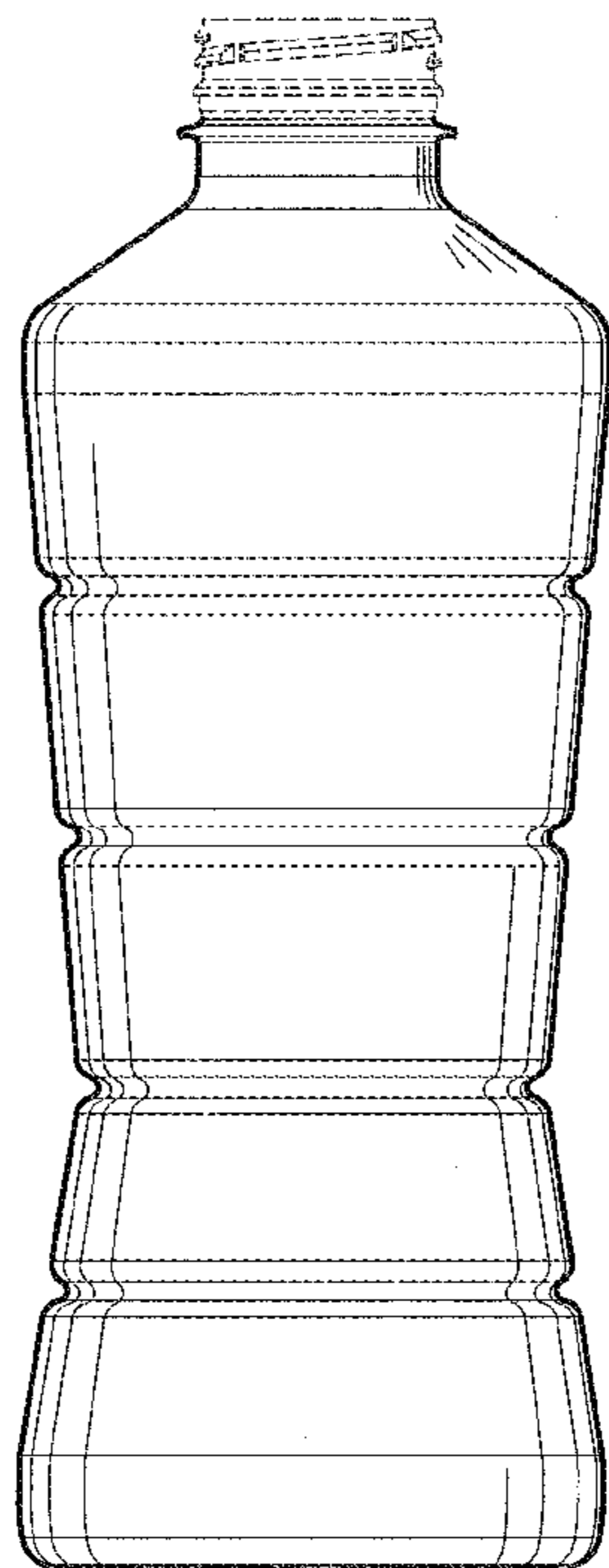
FIG. 4 is a left side elevation view thereof, the right side elevation view being identical except from the unclaimed thread details;

FIG. 5 is a top plan view thereof; and,

FIG. 6 is a bottom plan view thereof.

The broken lines in the drawings illustrate the portions of the bottle that form no part of the claim.

1 Claim, 5 Drawing Sheets



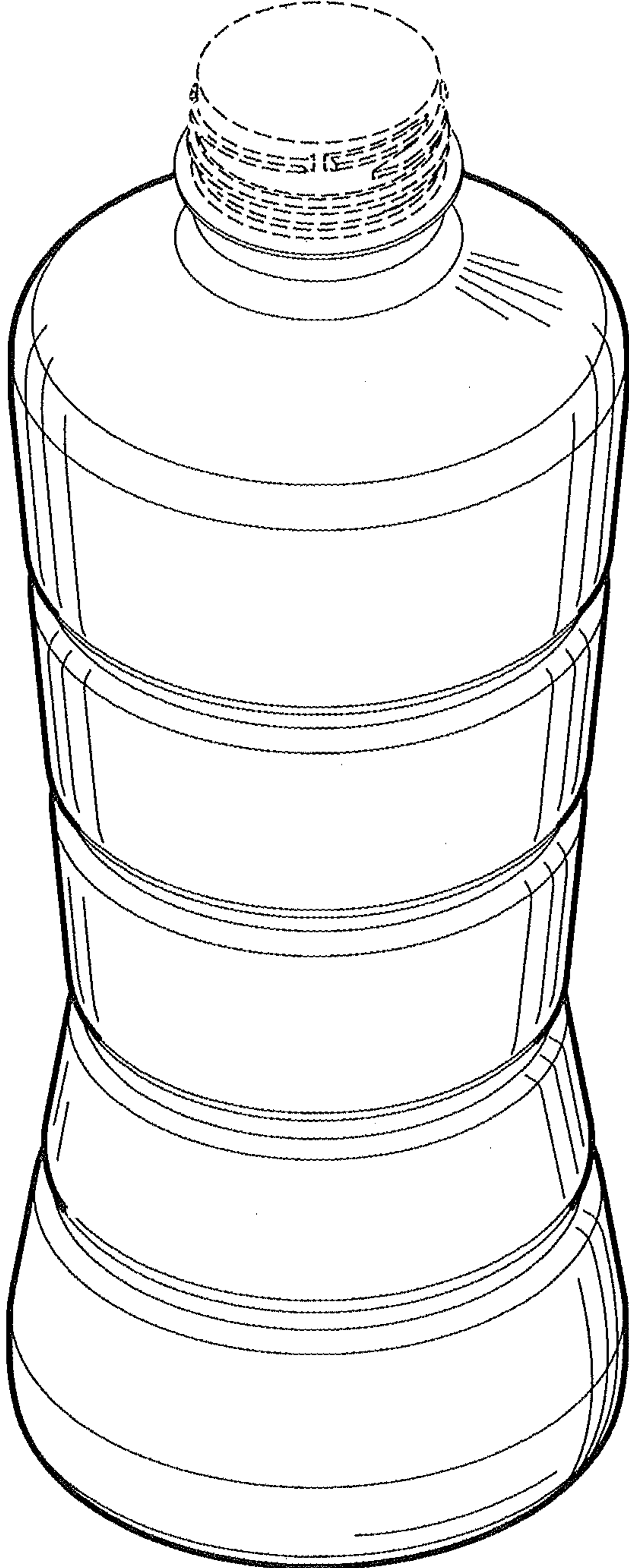


Fig. 1

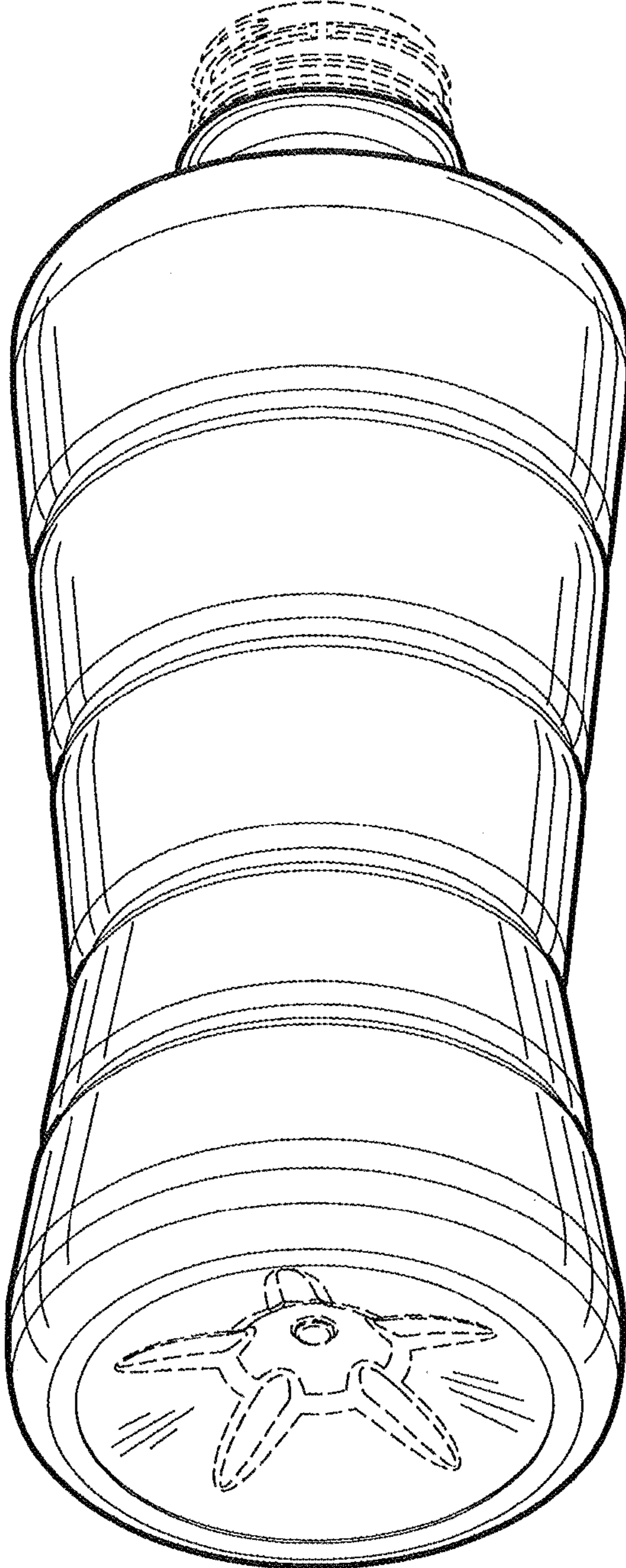


Fig. 2

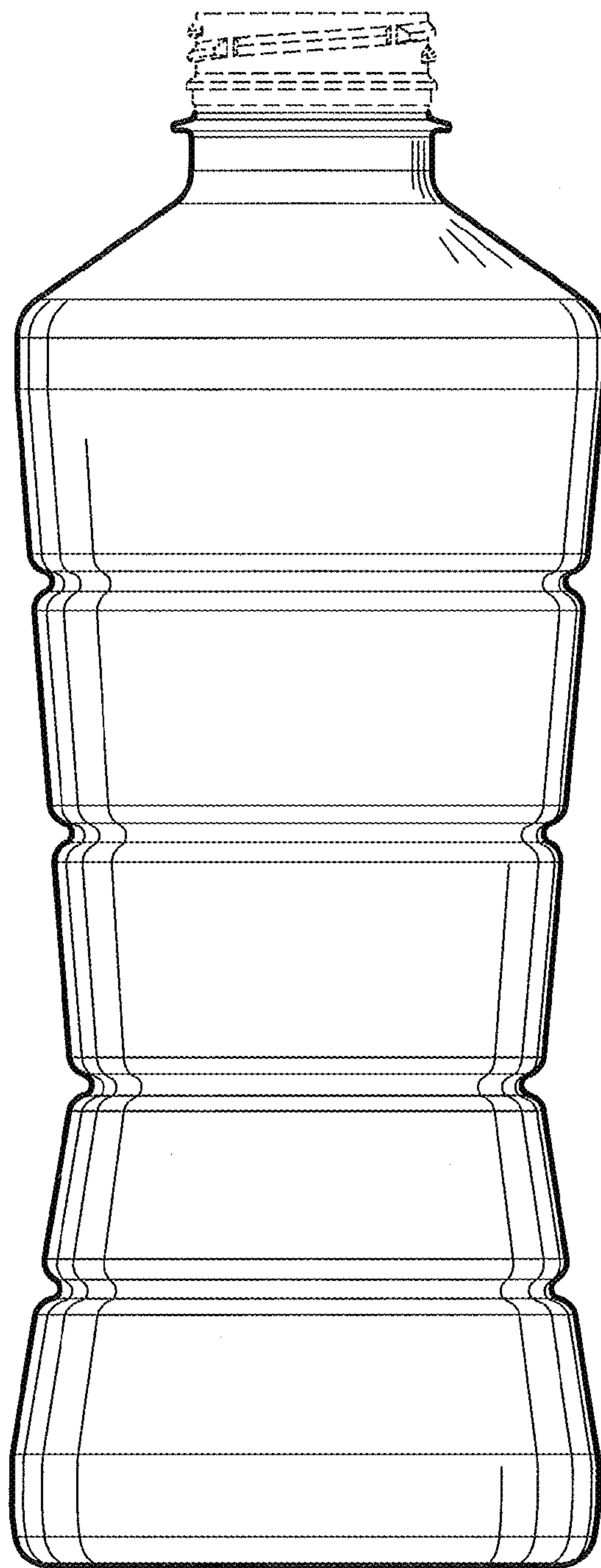


Fig. 3

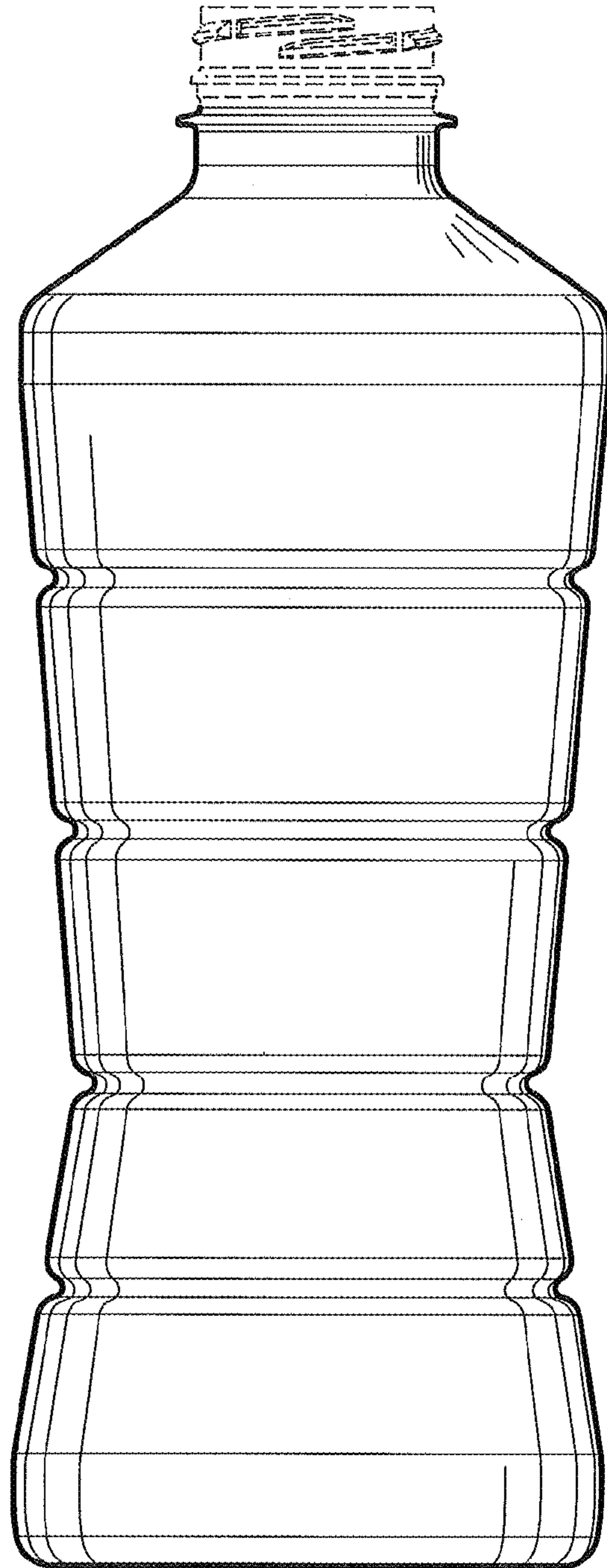


Fig. 4

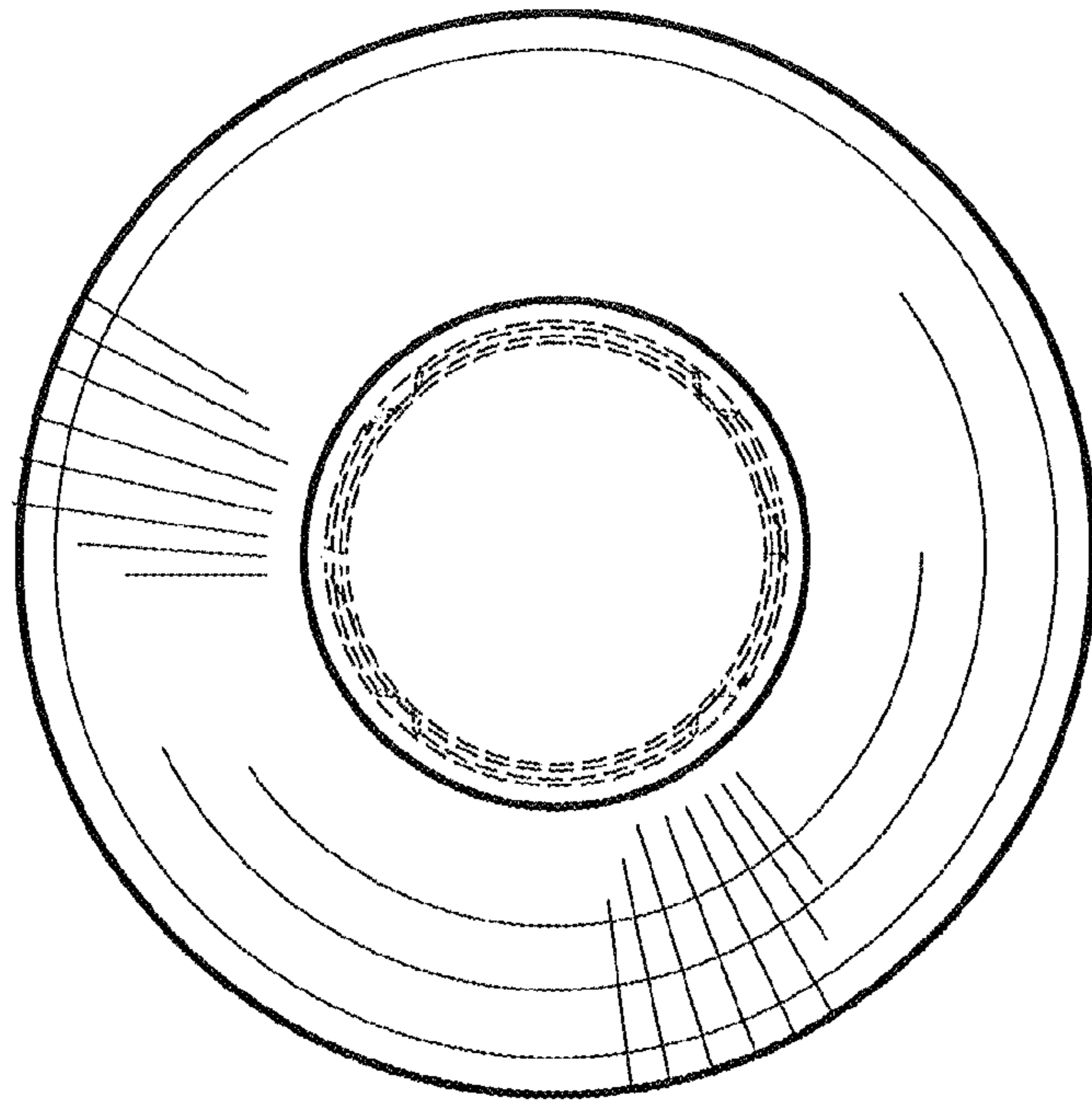


Fig. 5

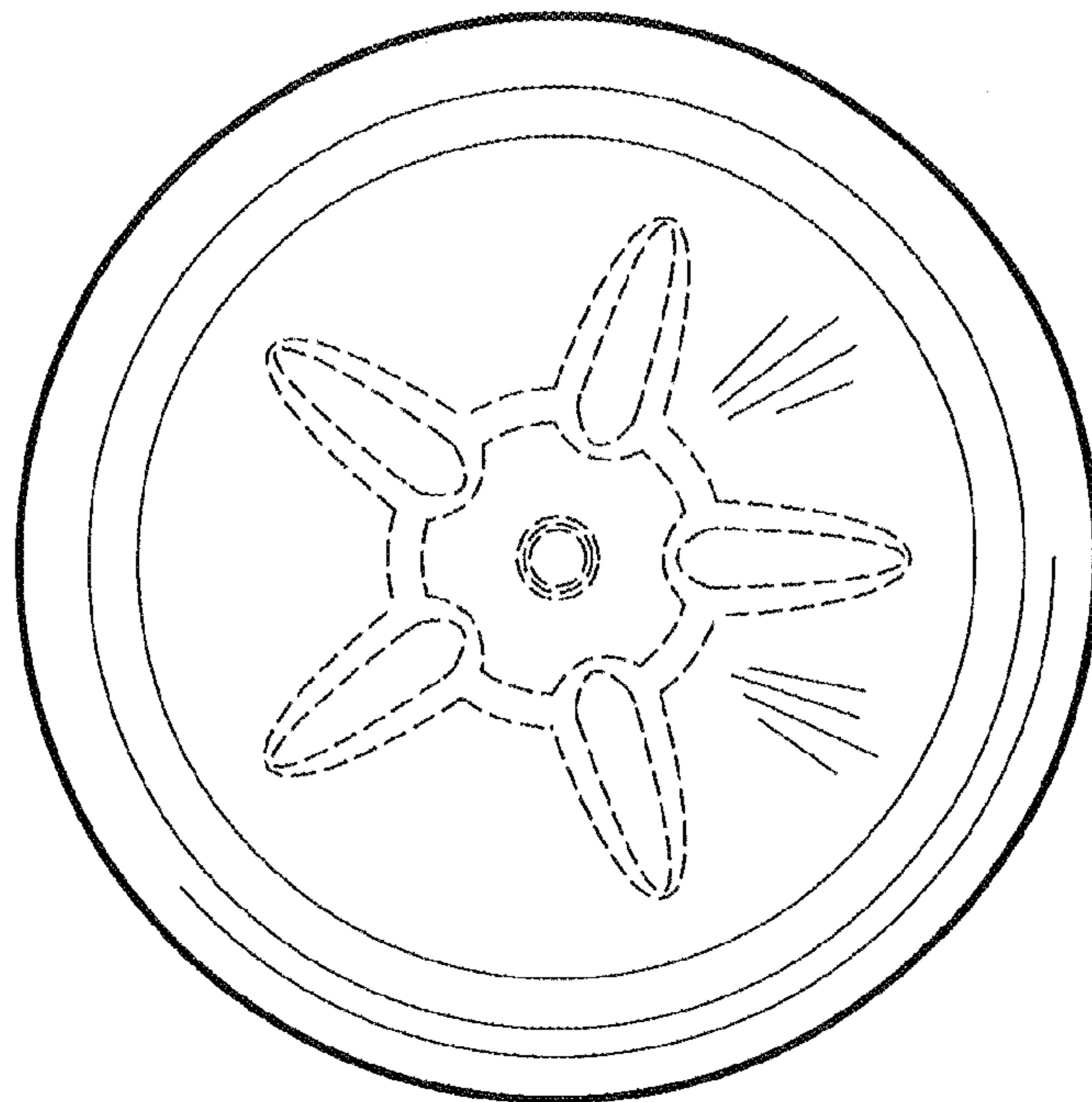


Fig. 6