



US00D744831S

(12) **United States Design Patent**  
**Geeting et al.**

(10) **Patent No.:** **US D744,831 S**

(45) **Date of Patent:** **\*\* Dec. 8, 2015**

- (54) **FLUID DISPENSING NOZZLE**
- (71) Applicants: **David Geeting**, Thousand Oaks, CA (US); **Jeff Main**, Agoura Hills, CA (US)
- (72) Inventors: **David Geeting**, Thousand Oaks, CA (US); **Jeff Main**, Agoura Hills, CA (US)
- (\*\*) Term: **14 Years**

4,783,186 A	11/1988	Manning et al.
4,815,637 A	3/1989	Nellis
4,891,037 A	1/1990	Maples
5,020,637 A	6/1991	Hoenselaar et al.
5,213,180 A	5/1993	Masonek et al.
5,269,614 A	12/1993	Taylor
5,360,084 A	11/1994	Graf
D361,266 S *	8/1995	Zuber ..... 347/87
D392,046 S *	3/1998	Niedospial, Jr. .... D24/224
D400,103 S *	10/1998	Park ..... D9/448
D499,966 S *	12/2004	Arminak ..... D9/448
6,942,409 B2	9/2005	Barbieri
7,222,756 B2 *	5/2007	Lo ..... B05B 9/0861 222/333
D598,750 S *	8/2009	Boes ..... D9/448

- (21) Appl. No.: **29/502,218**
- (22) Filed: **Sep. 12, 2014**
- (51) **LOC (10) Cl.** ..... **09-07**
- (52) **U.S. Cl.**  
USPC ..... **D9/448**

- (58) **Field of Classification Search**  
USPC ..... D9/434-436, 438, 443-450, 452-454, D9/499; D7/387, 392, 393, 396.2, 510, D7/511; D3/202, 294, 318; 215/28, 41, 215/201, 216, 224, 230, 235, 237, 243, 249, 215/256, 306, 316, 317, 396; 220/252, 220/254.1, 254.2-254.4, 258.2, 263, 367.1, 220/375, 711, 724, 730, 731, 837, 847; 222/109, 153.1, 153.11, 153.14, 464.1, 222/498, 546, 547, 562, 565, 566, 570, 621  
CPC ..... A61J 1/1412; B65D 1/02; B65D 1/323; B65D 25/40; B65D 41/56; B65D 41/62; B65D 47/06; B65D 47/08  
See application file for complete search history.

(56) **References Cited**

**U.S. PATENT DOCUMENTS**

D235,037 S *	4/1975	Jolly ..... D3/294
4,024,988 A *	5/1977	Starrett ..... B65D 50/06 222/153.11
4,120,380 A	10/1978	Mann
D255,200 S *	6/1980	Block ..... D7/509
D272,236 S *	1/1984	McDonald ..... D9/448

(Continued)

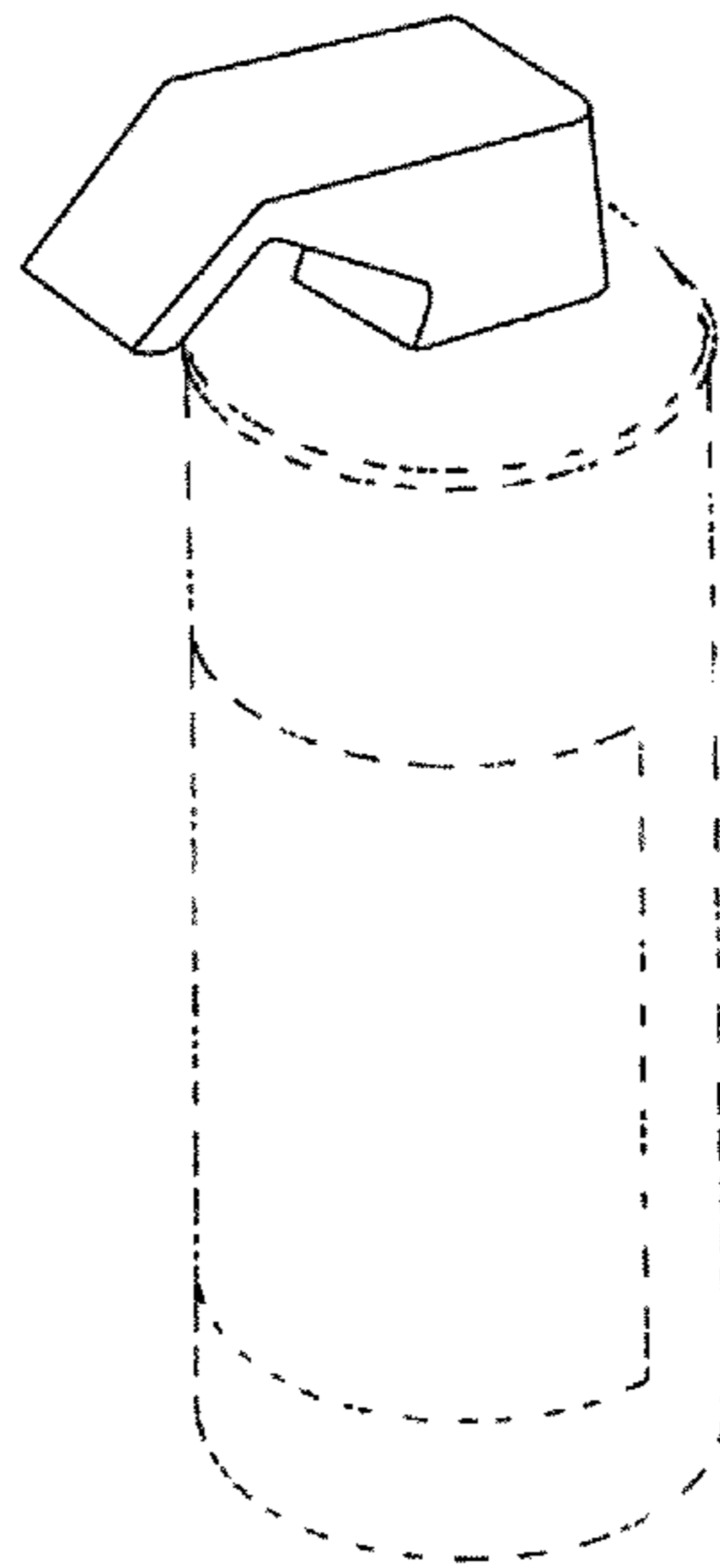
*Primary Examiner* — Karen S Acker  
*Assistant Examiner* — Wendy Arminio  
(74) *Attorney, Agent, or Firm* — David M. Kleiman

(57) **CLAIM**  
The ornamental design for a fluid dispensing nozzle, as shown and described.

**DESCRIPTION**

FIG. 1 is a front left side perspective view of the fluid dispensing nozzle shown in a position of use with a spray can fluid container drawn in broken lines;  
FIG. 2 is a bottom left side perspective view of the fluid dispensing nozzle.  
FIG. 3 is a top view of the fluid dispensing nozzle.  
FIG. 4 is a bottom view of the fluid dispensing nozzle.  
FIG. 5 is a left side view of the fluid dispensing nozzle.  
FIG. 6 is a right side view of the fluid dispensing nozzle.  
FIG. 7 is a back view of the fluid dispensing nozzle; and,  
FIG. 8 is a front view of the fluid dispensing nozzle.  
The spray can fluid container drawn in broken lines is included for the purpose of showing the environment of use and forms no part of the claimed design.

**1 Claim, 2 Drawing Sheets**



# US D744,831 S

Page 2

---

(56)

## References Cited

### U.S. PATENT DOCUMENTS

8,757,325 B2	6/2014	Singer	
D714,642 S *	10/2014	Wang .....	D9/448
D731,888 S *	6/2015	O'Donahue .....	D9/448
D657,243 S *	4/2012	Christianson .....	D9/448

\* cited by examiner

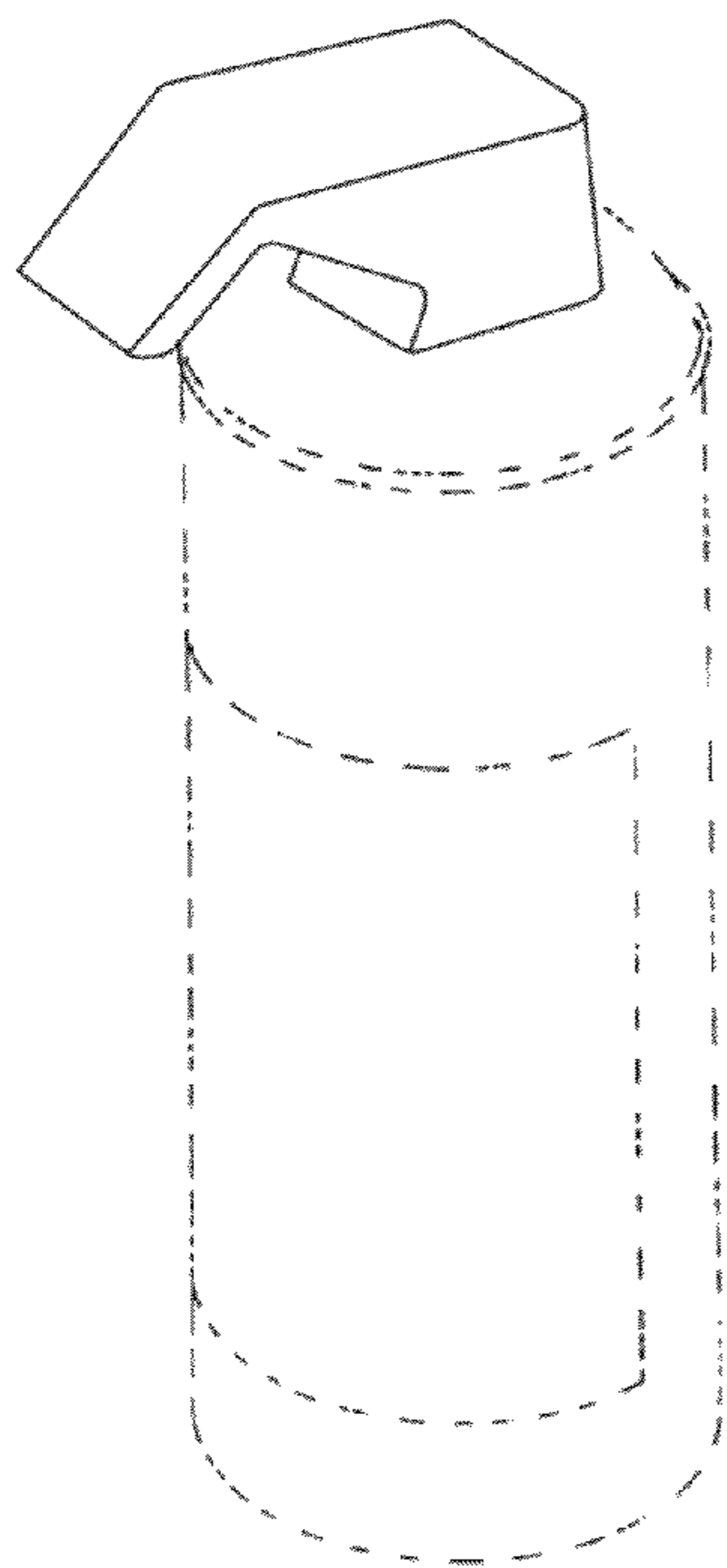


FIG 1

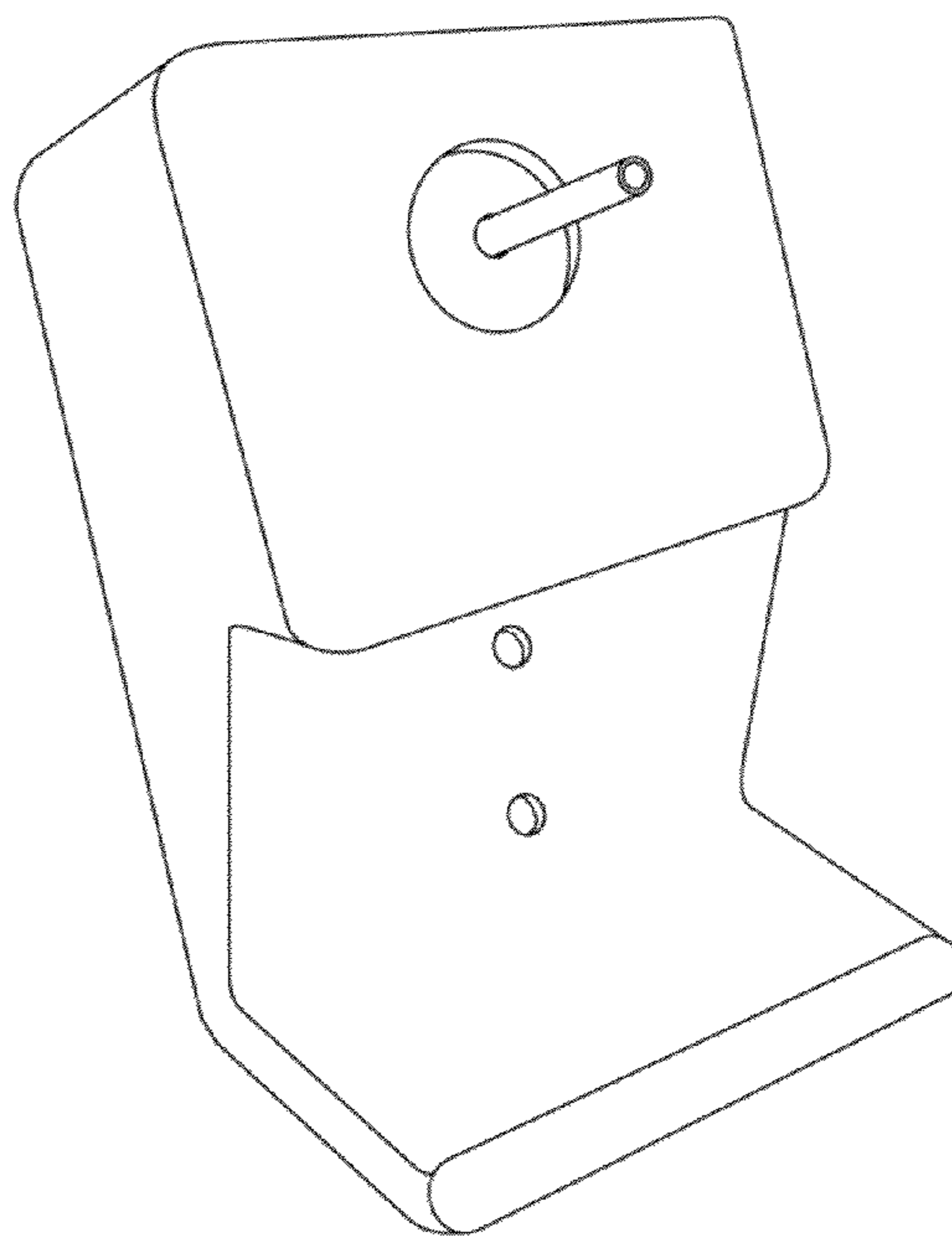


FIG 2

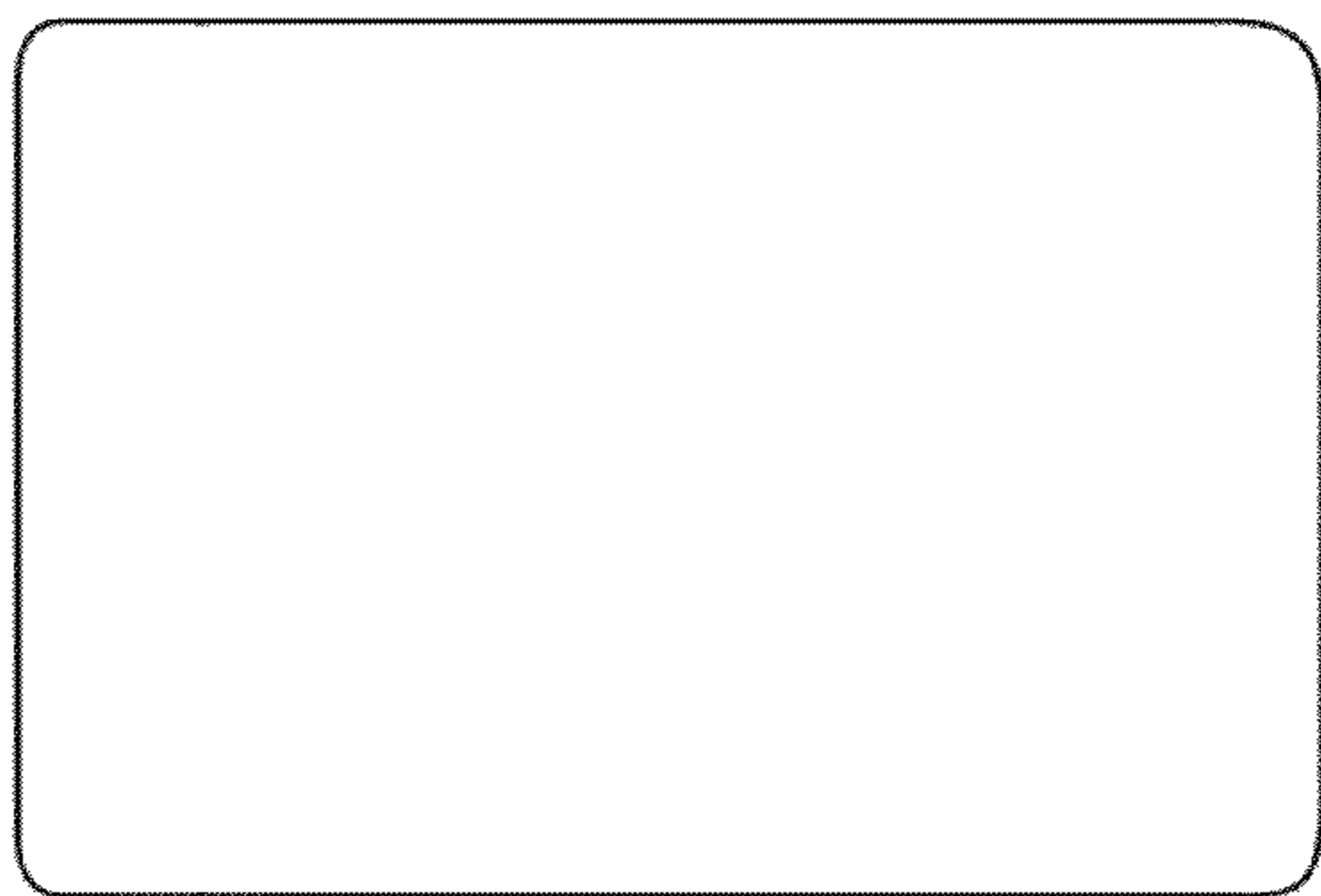


FIG 3

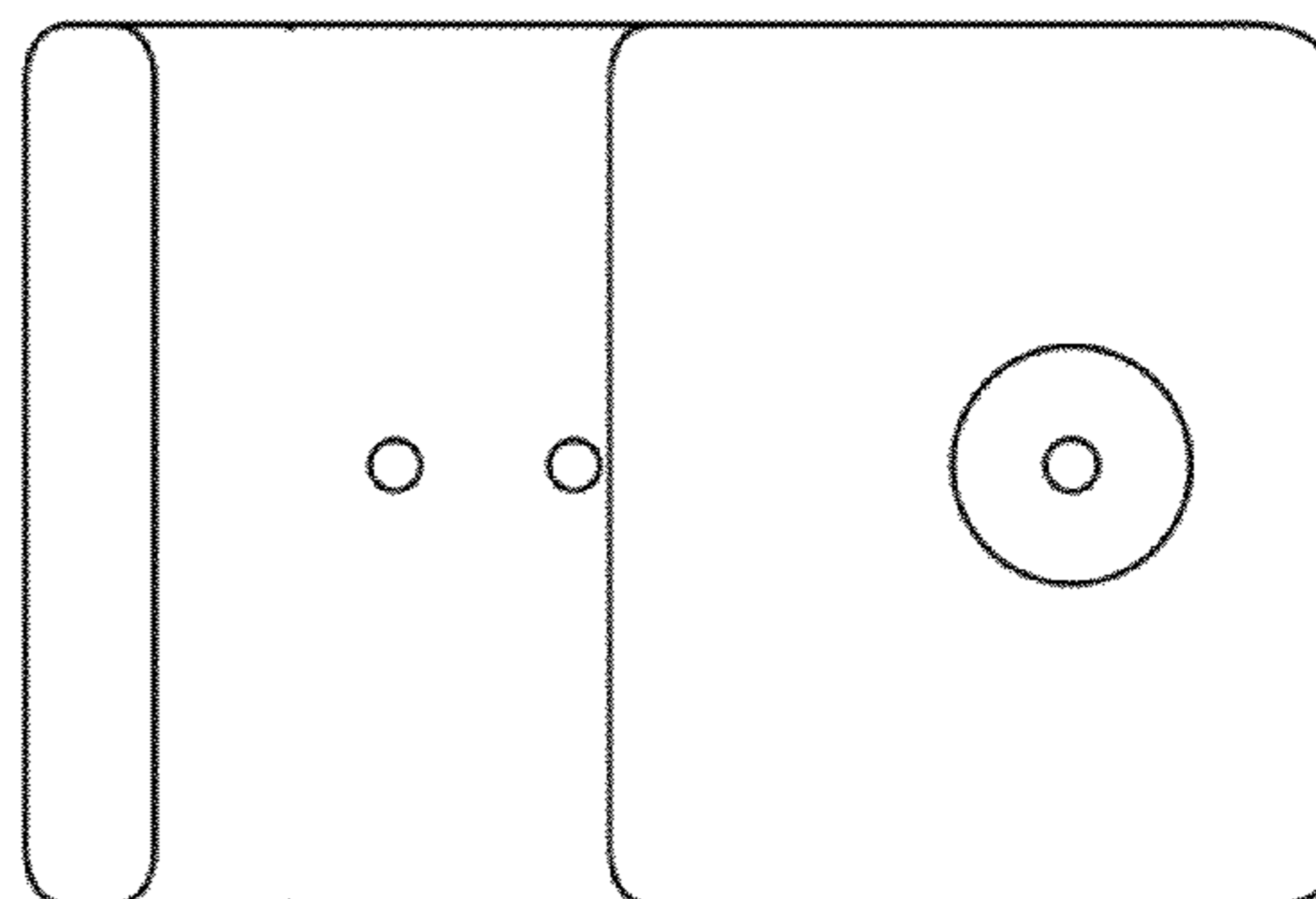


FIG 4

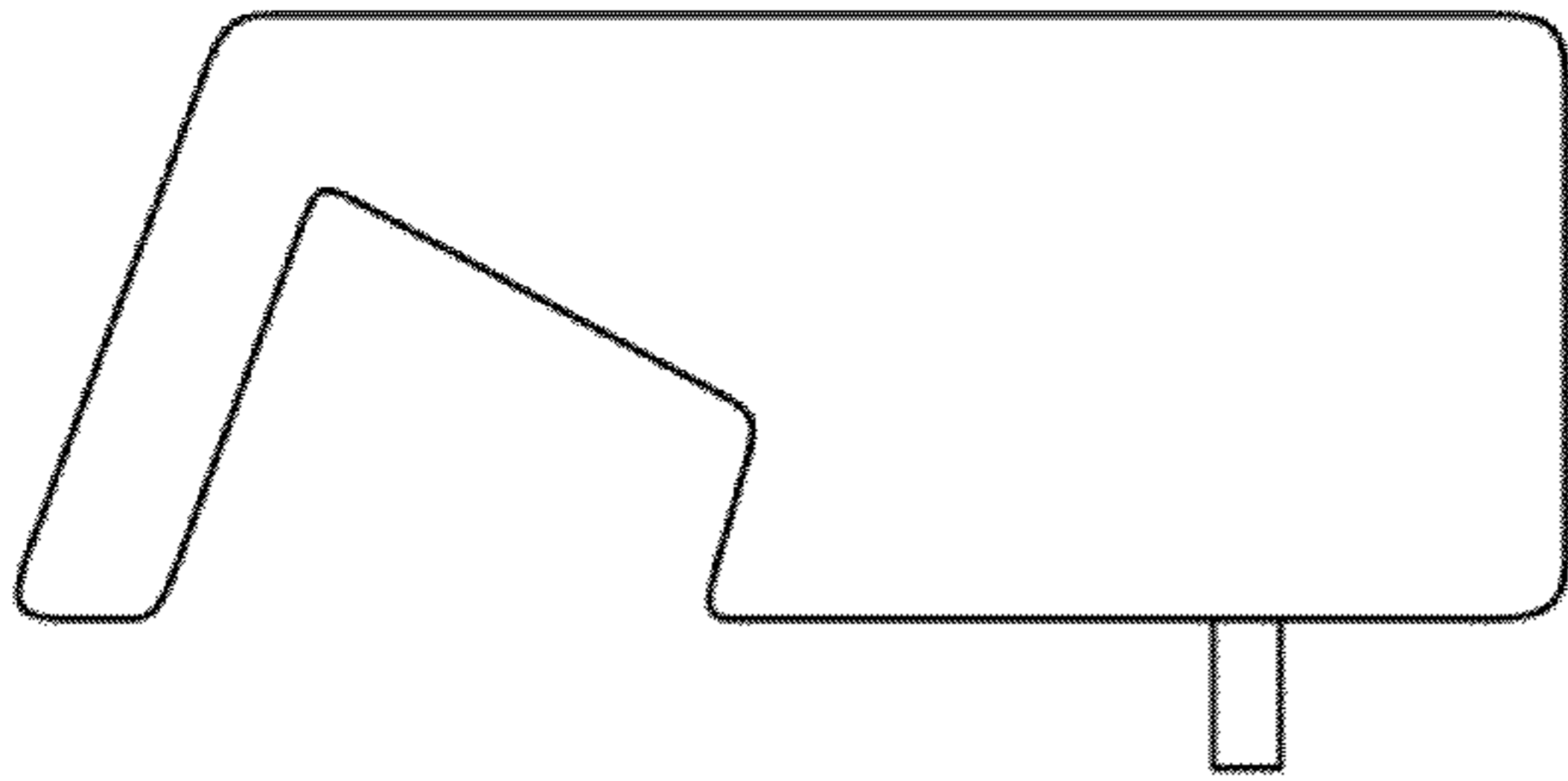


FIG 5

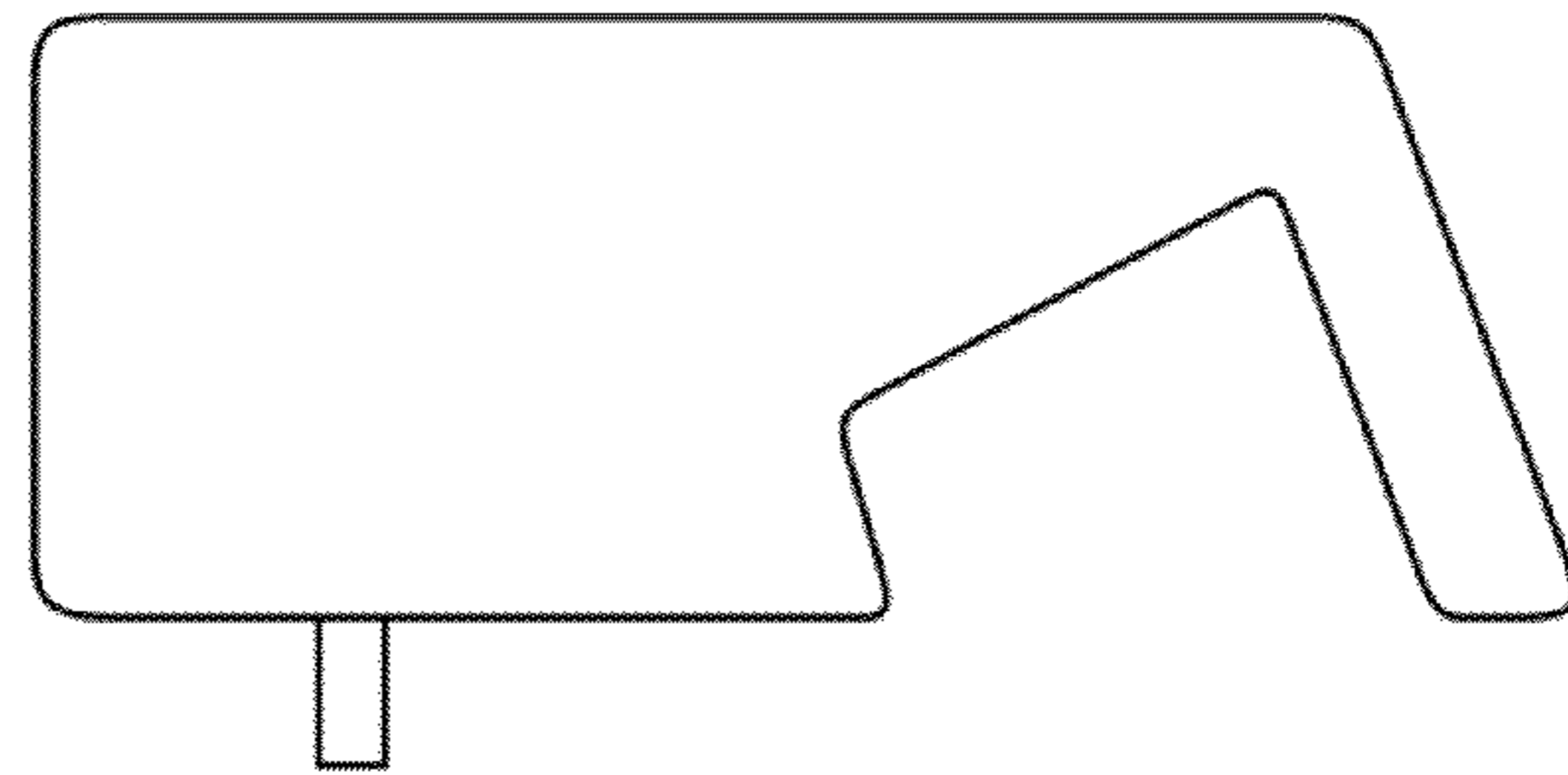


FIG 6

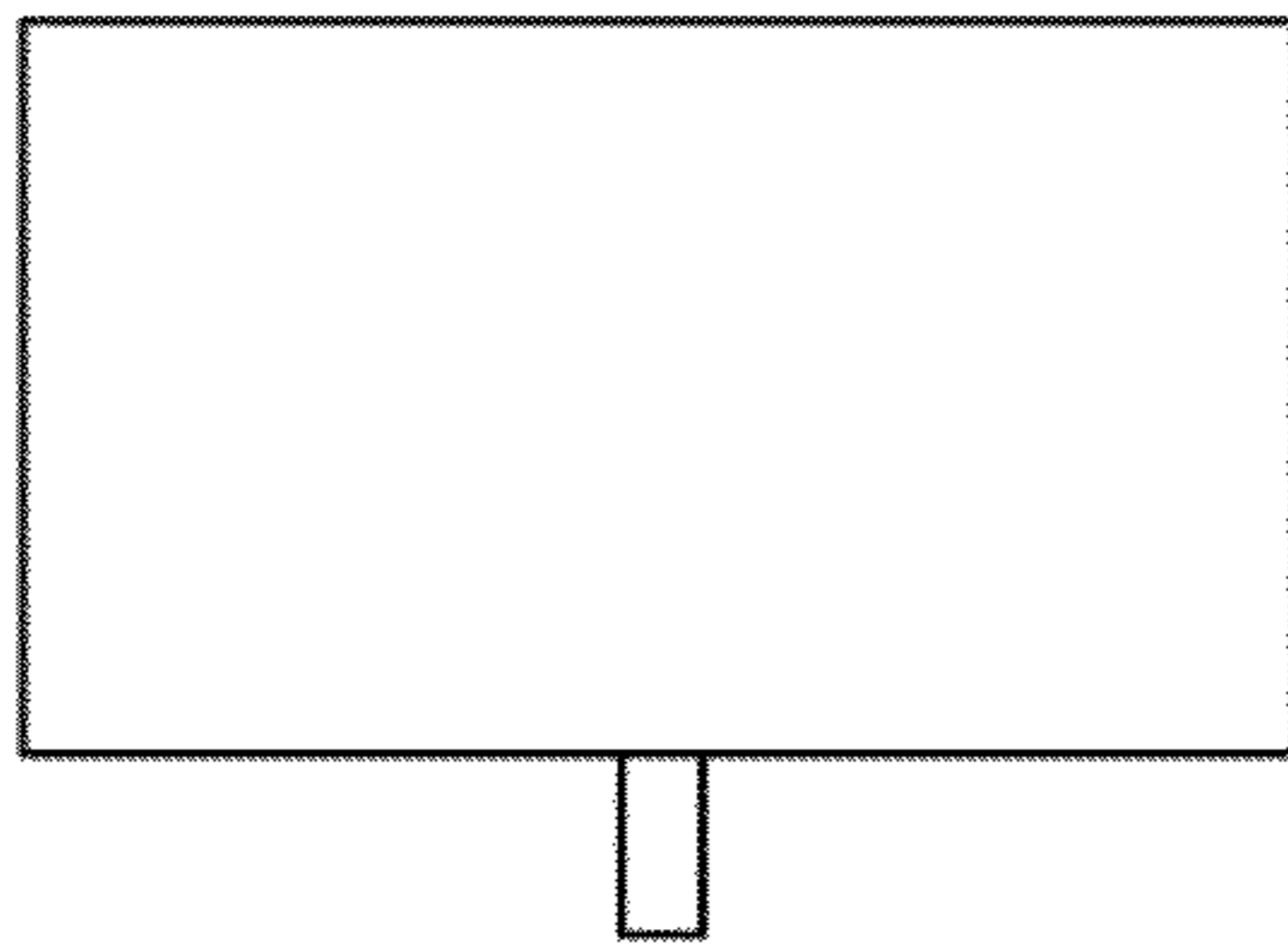


FIG 7

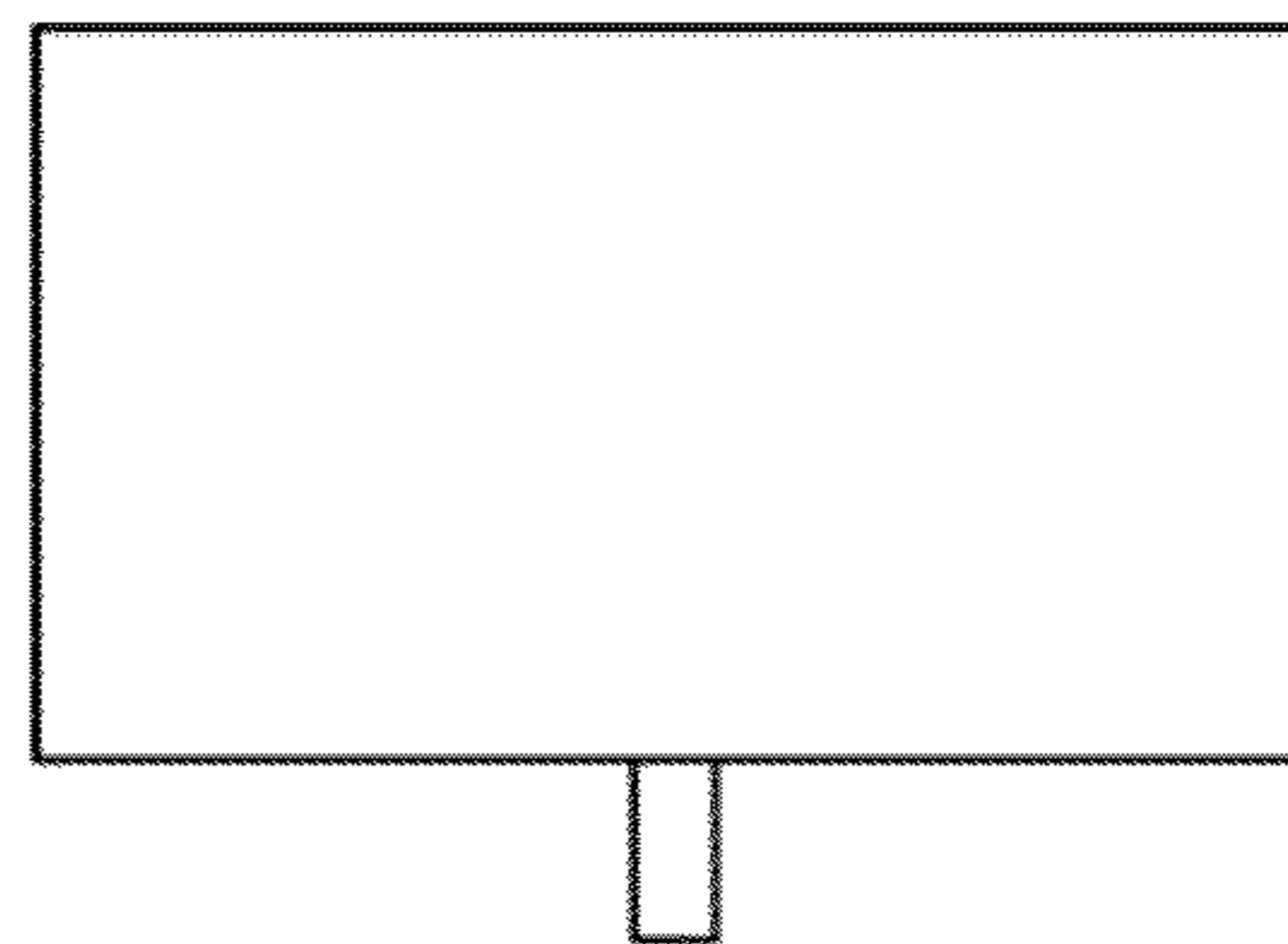


FIG 8