



US00D744828S

(12) **United States Design Patent**
Bushida et al.

(10) **Patent No.:** **US D744,828 S**
(45) **Date of Patent:** **** Dec. 8, 2015**

(54) **PACKAGING CONTAINER**

(71) Applicant: **SUNTORY BEVERAGE & FOOD LIMITED**, Tokyo (JP)

(72) Inventors: **Mitsuru Bushida**, Tokyo (JP); **Daisuke Tanaka**, Tokyo (JP); **Takashi Kado**, Tokyo (JP); **Hiroki Yokoyama**, Tokyo (JP); **Masayuki Kitamasu**, Tokyo (JP)

(73) Assignees: **SUNTORY BEVERAGE & FOOD LIMITED**, Tokyo (JP); **SUNTORY HOLDINGS LIMITED**, Osaka (JP)

(**) Term: **14 Years**

(21) Appl. No.: **29/477,950**

(22) Filed: **Dec. 30, 2013**

(30) **Foreign Application Priority Data**

Jul. 1, 2013 (JP) 2013-014898

(51) **LOC (10) Cl.** **09-03**

(52) **U.S. Cl.**
USPC **D9/429**

(58) **Field of Classification Search**
USPC D9/414, 415, 416, 417, 419, 421, 424, D9/425, 428, 429, 435-454; D7/318, 319, D7/619.1, 629; 229/400-406, 906.1; 220/200, 257.2, 269, 500, 656-659, 220/669-675, 912, 4.21-4.27; 206/431, 206/553, 557, 541, 775, 776, 217
CPC A47J 36/06; A47J 47/14; B65D 1/165; B65D 15/08; B65D 21/083; B65D 21/0234; B65D 43/162; B65D 71/50; B65D 77/24; B65D 81/3869; B65D 2543/00046; B65D 2543/00055; B65D 2543/00083; B65D 2543/00092; B65D 2543/00296
See application file for complete search history.

(56) **References Cited**

U.S. PATENT DOCUMENTS

3,232,474 A * 2/1966 Dunn 220/270
3,321,123 A * 5/1967 Collie 229/123.2

3,638,990 A * 2/1972 Huault 294/87.2
D289,499 S * 4/1987 Drummond et al. D9/429
4,844,328 A * 7/1989 Cooper 206/485.1

(Continued)

OTHER PUBLICATIONS

U.S. Appl. No. 29/477,956 to Mitsuru Bushida et al., filed Dec. 30, 2013.

(Continued)

Primary Examiner — Karen S. Acker

Assistant Examiner — Wendy Arminio

(74) *Attorney, Agent, or Firm* — Greenblum & Bernstein, P.L.C.

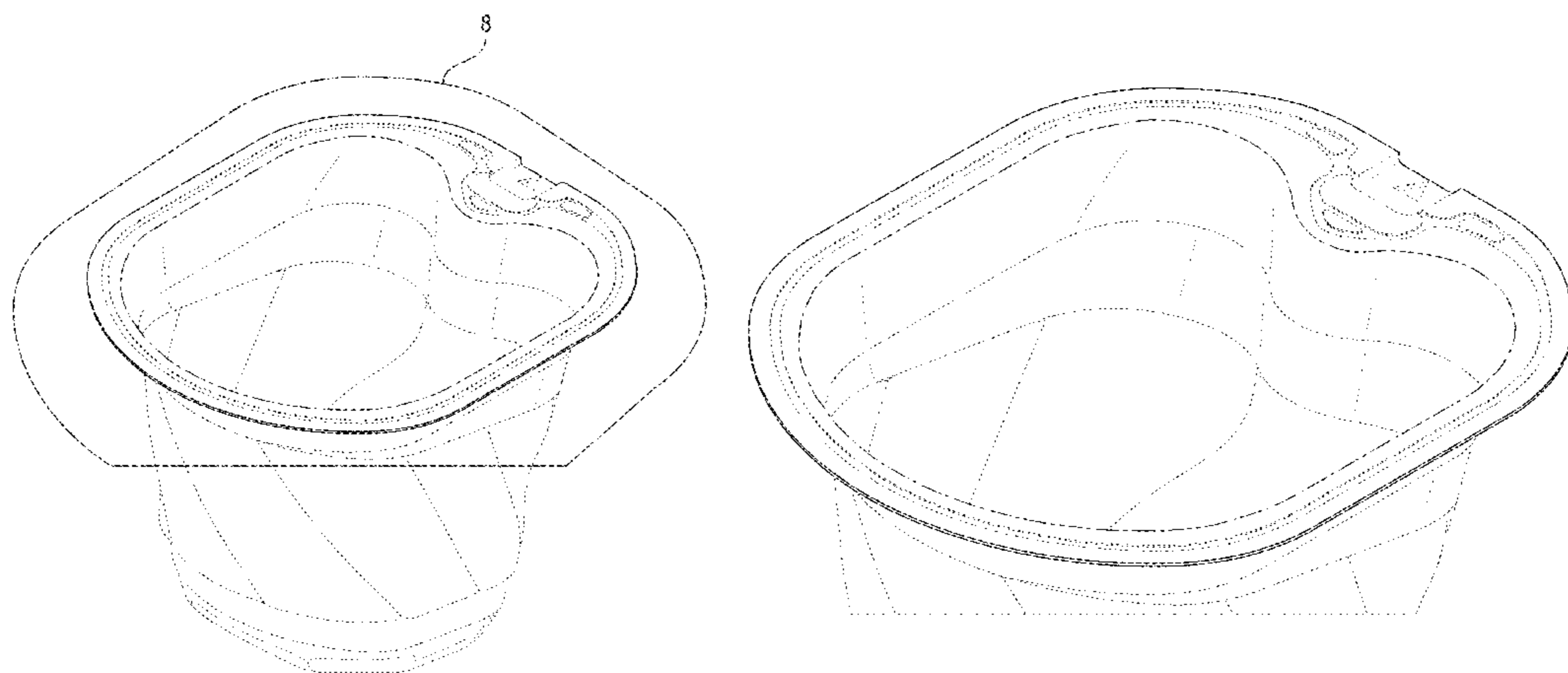
(57) **CLAIM**

The ornamental design for a packaging container, as shown and described.

DESCRIPTION

FIG. 1 is a front view of a packaging container showing our new design;
FIG. 2 is a rear view thereof;
FIG. 3 is a left side view thereof;
FIG. 4 is a right side view thereof;
FIG. 5 is a top plan view thereof;
FIG. 6 is a bottom view thereof;
FIG. 7 is a top perspective view thereof; and,
FIG. 8 is an enlarged detail view of area 8 circumscribed within FIG. 7 thereof.
The dot-dot broken lines represent portions of the packaging container that form no part of the claimed design. The dot-dash-dot broken lines as shown in FIGS. 5-8 represent the inner perimeter boundary of the claim and form no part thereof.
The broken line surrounding the detail in FIG. 7 depicts the boundary of the detail shown in FIG. 8 and forms no part of the claimed design.

1 Claim, 8 Drawing Sheets



(56)

References Cited

U.S. PATENT DOCUMENTS

4,875,620 A * 10/1989 Lane, Sr. 229/404
D317,567 S * 6/1991 Lane, Sr. D9/425
D369,971 S * 5/1996 Brauner et al. D9/428
5,601,186 A * 2/1997 Van Hine et al. 206/141
5,782,376 A * 7/1998 Brauner et al. 220/669
D430,023 S * 8/2000 Shurtleff et al. D9/425
D439,839 S * 4/2001 Wolf et al. D9/431
D467,493 S * 12/2002 Hussaini et al. D9/415
D490,311 S * 5/2004 Timm D9/434
D502,095 S * 2/2005 Tucker et al. D9/425
D542,649 S * 5/2007 Sagel et al. D9/759
D548,069 S * 8/2007 Sagel et al. D9/425
7,845,147 B2 * 12/2010 Henderson et al. 53/471
D678,047 S * 3/2013 Green D9/416

D682,087 S * 5/2013 Bourguignon D9/425
D693,242 S * 11/2013 Birchmeier D9/711
D708,511 S * 7/2014 Green D9/416
2010/0221393 A1 * 9/2010 Lim et al. 426/124

OTHER PUBLICATIONS

U.S. Appl. No. 29/477,951 to Mitsuru Bushida et al., filed Dec. 30, 2013.
U.S. Appl. No. 29/477,953 to Mitsuru Bushida et al., filed Dec. 30, 2013.
U.S. Appl. No. 29/477,954 to Mitsuru Bushida et al., filed Dec. 30, 2013.
U.S. Appl. No. 29/477,948 to Mitsuru Bushida et al., filed Dec. 30, 2013.

* cited by examiner

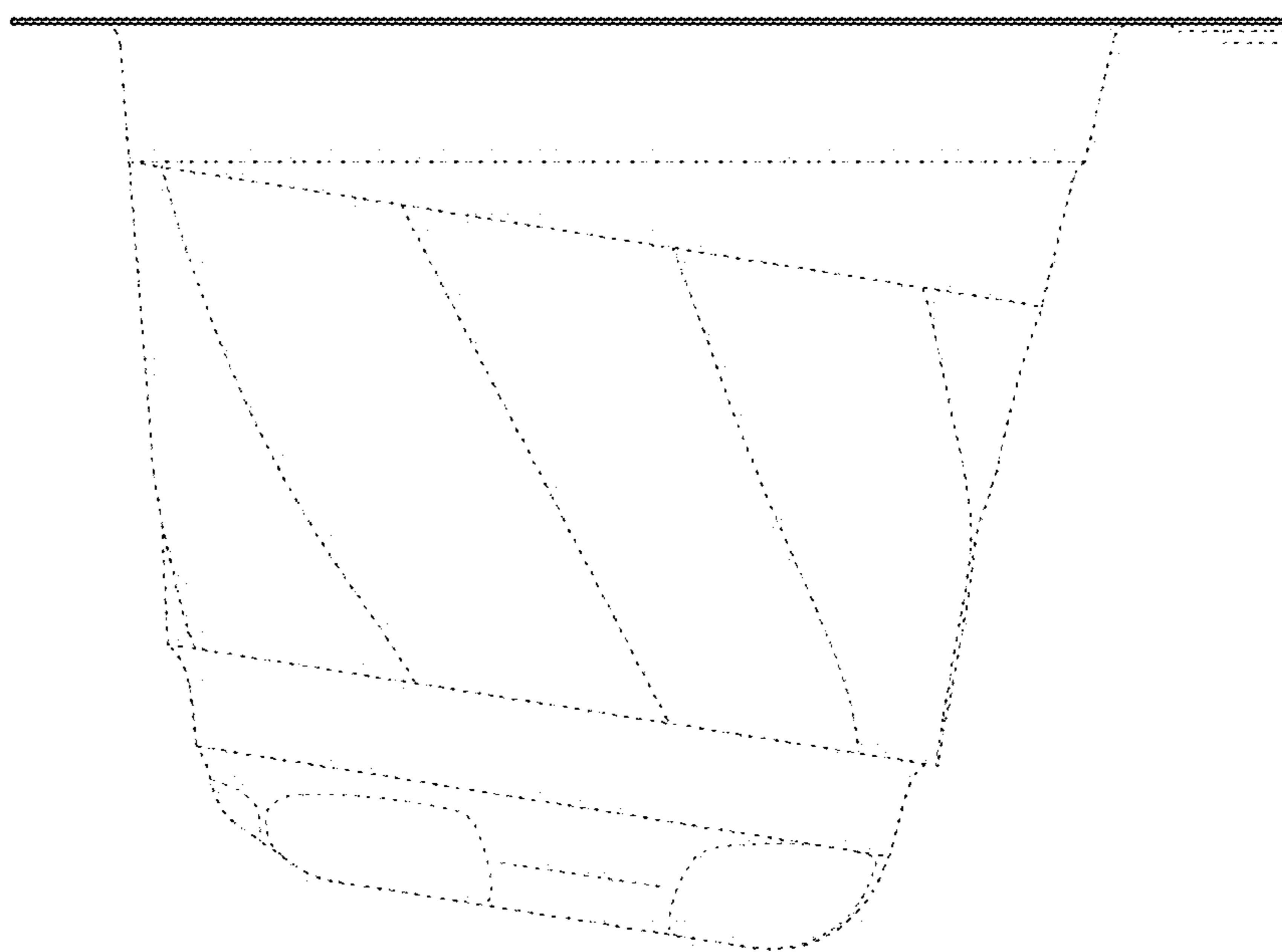


FIG. 1

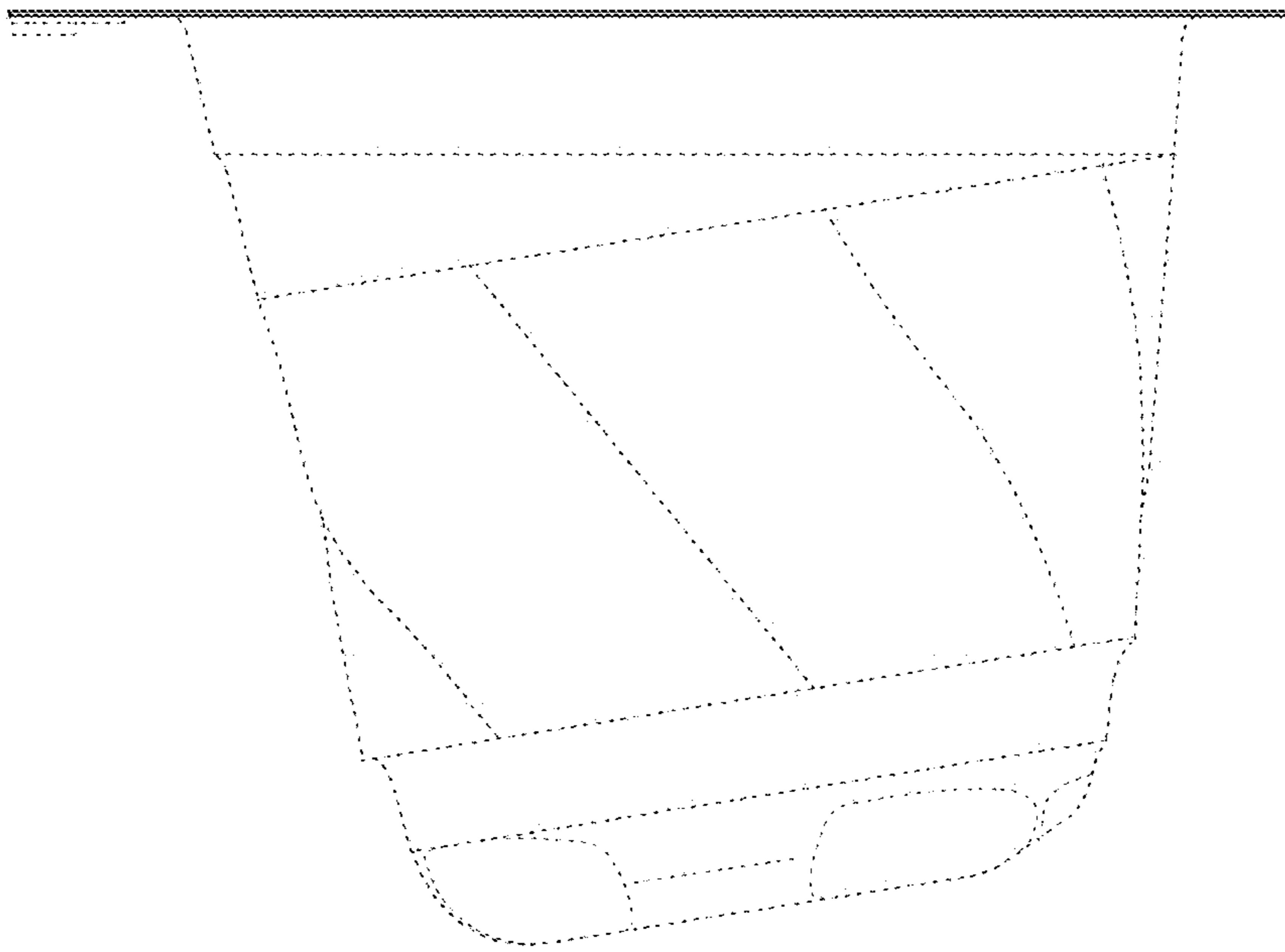


FIG. 2

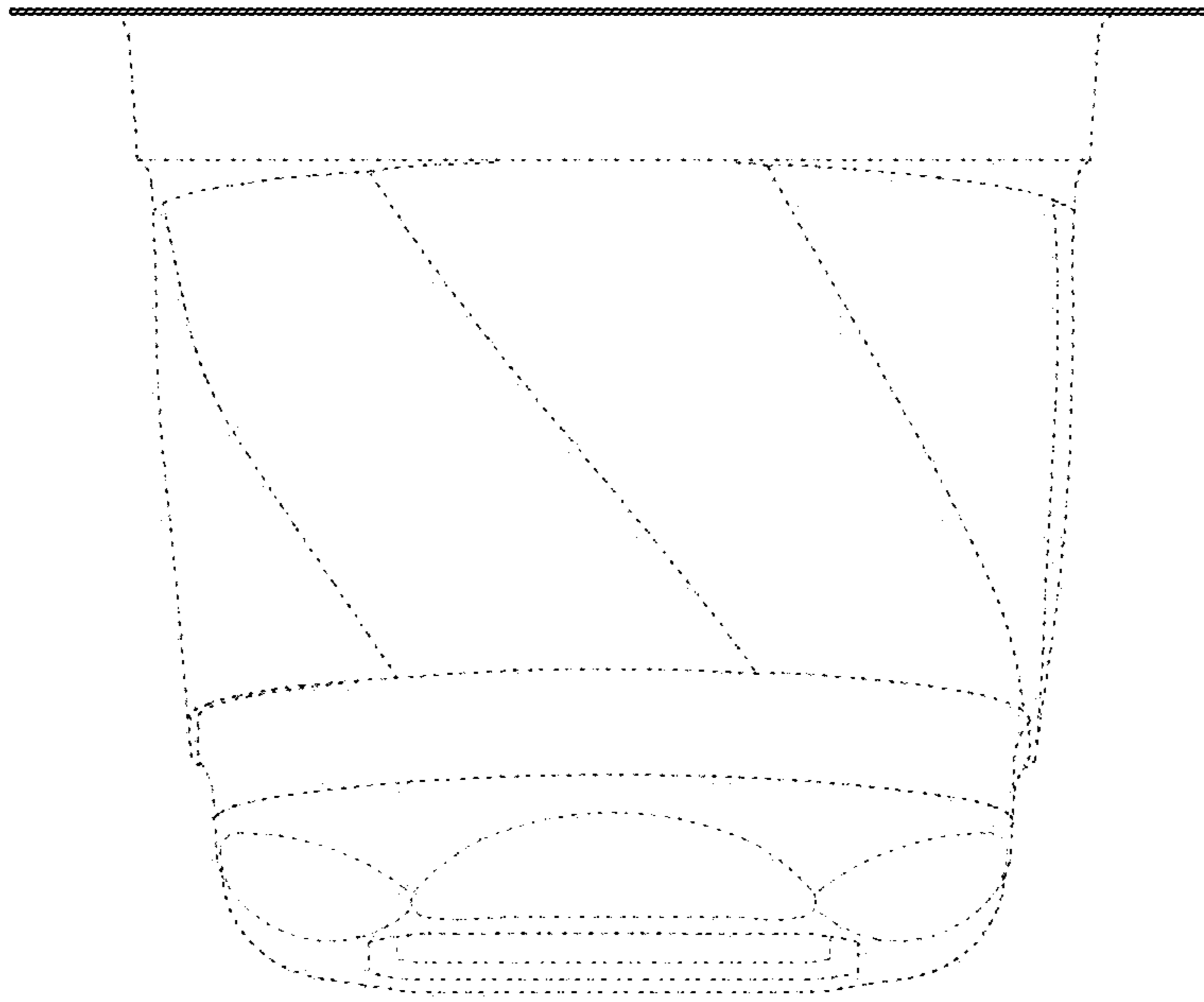


FIG. 3

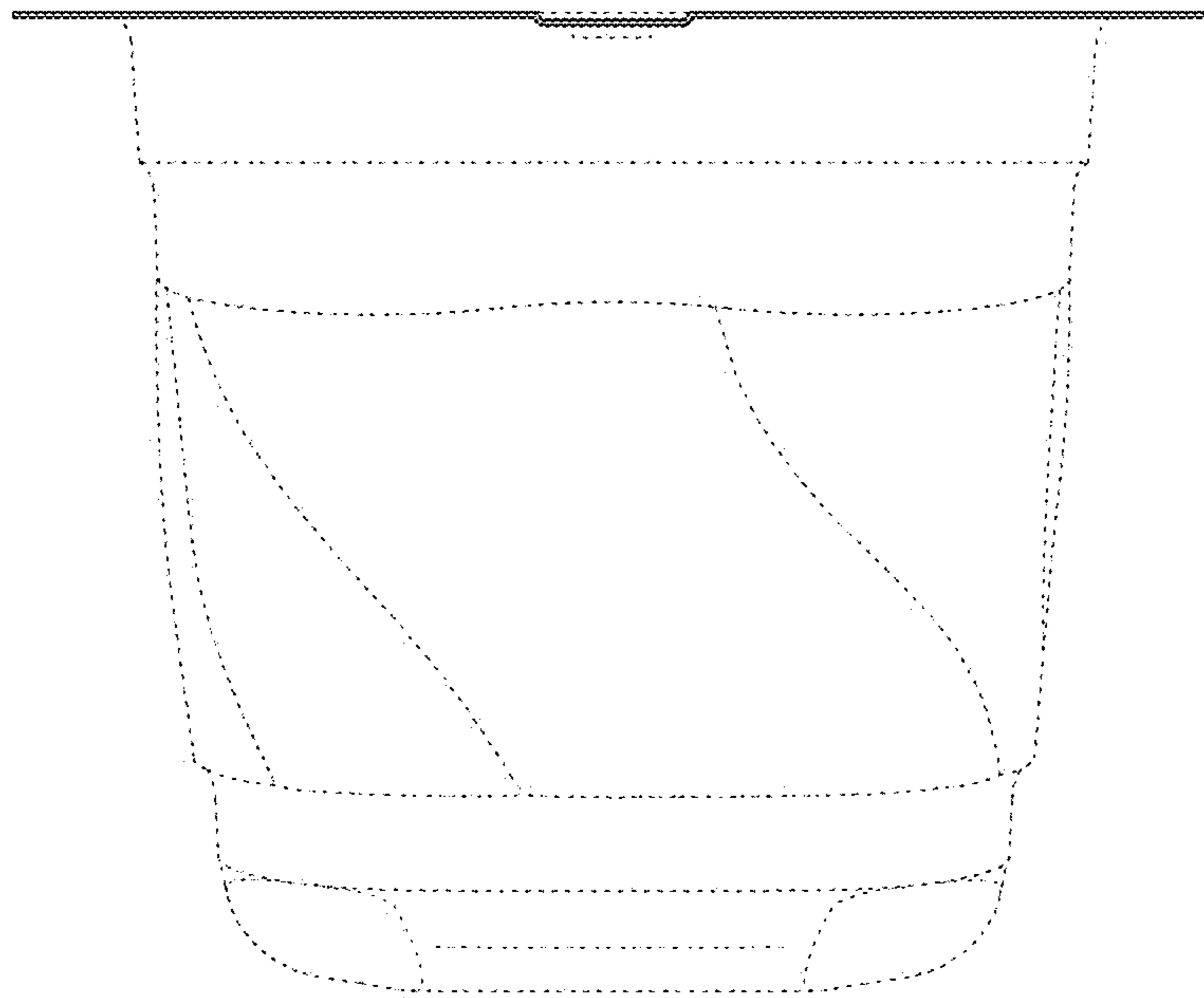


FIG. 4

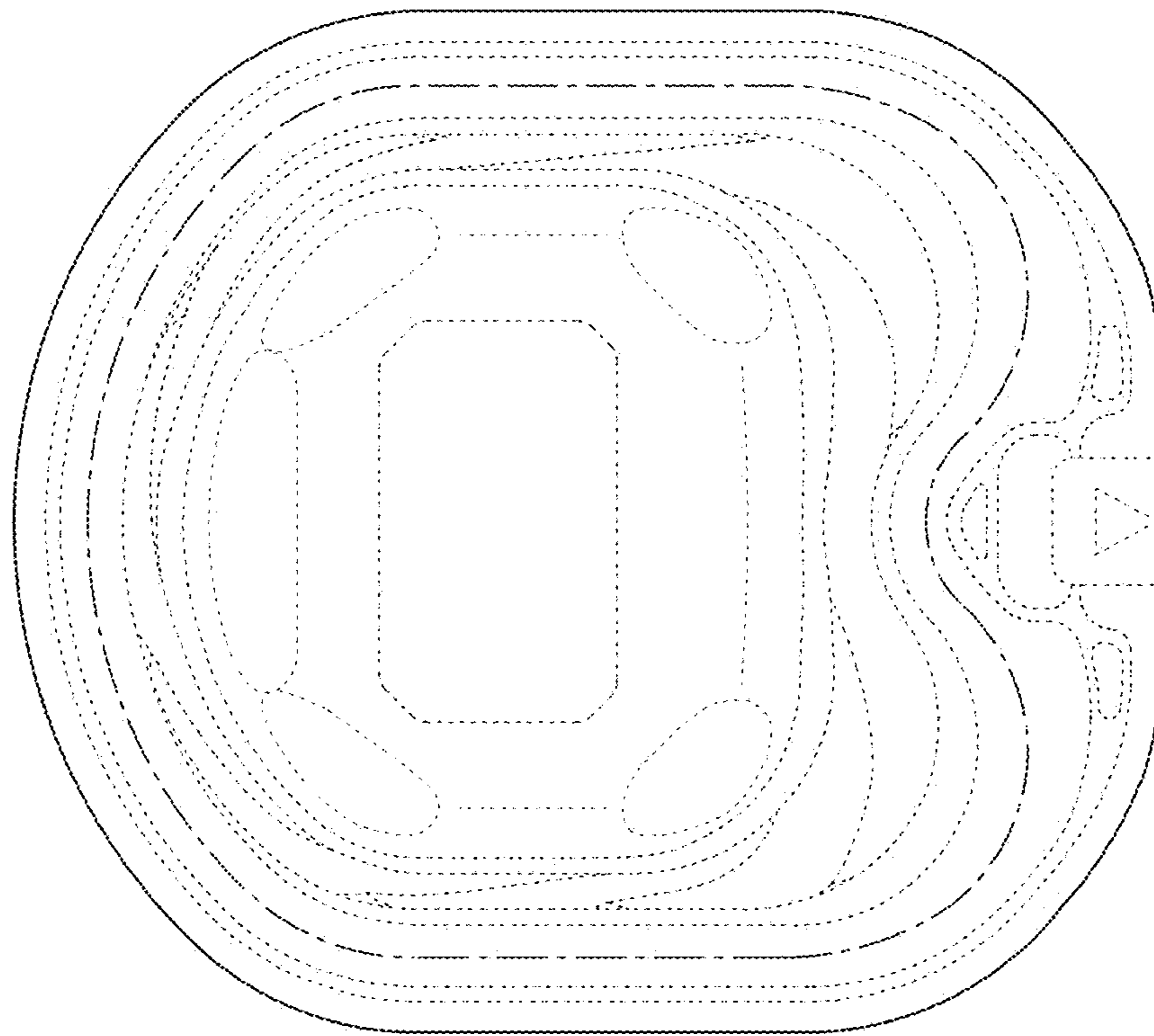


FIG. 5

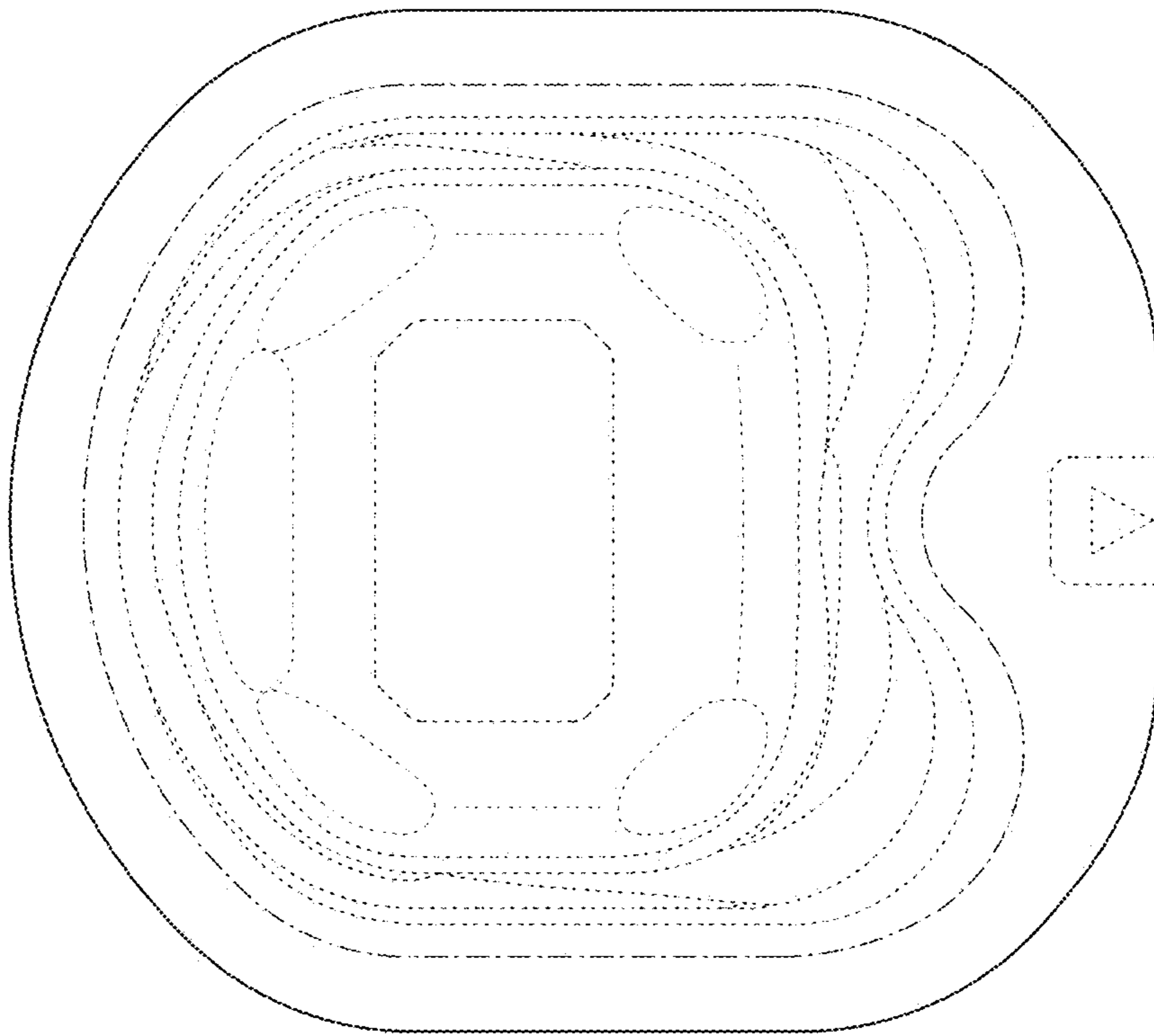


FIG. 6

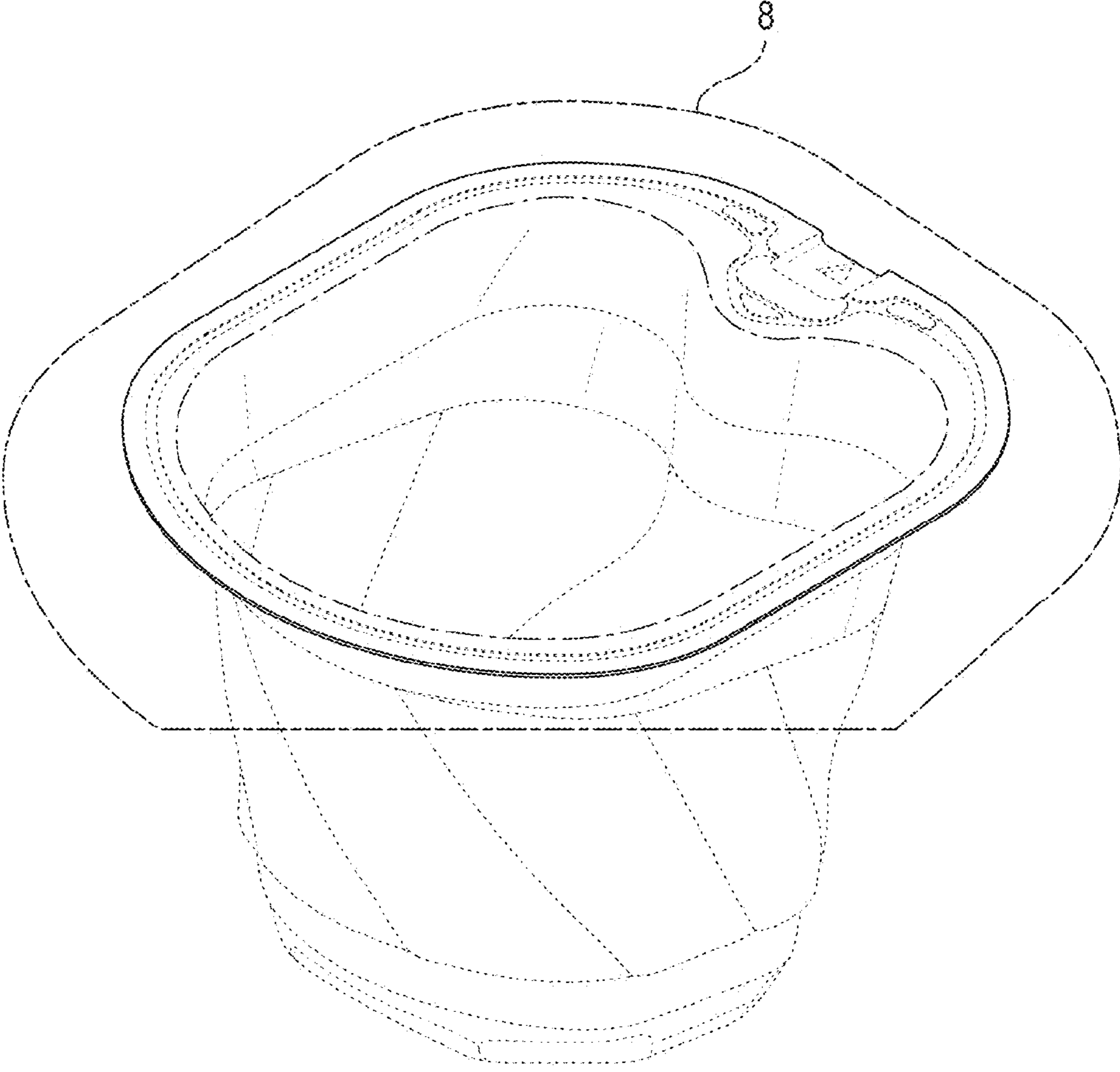


FIG. 7



FIG. 8