



US00D744825S

(12) **United States Design Patent**  
**Johansen**

(10) **Patent No.:** **US D744,825 S**  
(45) **Date of Patent:** **\*\* Dec. 8, 2015**

(54) **LUNCH BOX**

(71) Applicant: **Tablebox A/S, København (DK)**

(72) Inventor: **Lasse Johansen, København (DK)**

(73) Assignee: **Tablebox A/S, København K (DK)**

(\*\*) Term: **14 Years**

(21) Appl. No.: **29/507,582**

(22) Filed: **Oct. 29, 2014**

(30) **Foreign Application Priority Data**

May 7, 2014 (EM) ..... 002459529-0003

(51) **LOC (10) Cl.** ..... **09-03**

(52) **U.S. Cl.**  
USPC ..... **D9/418**

(58) **Field of Classification Search**  
USPC ..... D9/414-418, 704, 711, 430-43, 636,  
D9/640; 206/0.815, 777; 229/117.14,  
229/117.06, 117.08; D11/143  
CPC ..... A45C 1/12; B65D 5/4204; B65D 5/3685;  
B65D 5/3642; B65D 5/16096  
See application file for complete search history.

(56) **References Cited**

**U.S. PATENT DOCUMENTS**

720,864	A *	2/1903	Walter	.....	206/0.815
1,527,399	A *	2/1925	Davidson	.....	229/117.14
1,532,316	A *	4/1925	Kaufman	.....	229/117.06
2,638,210	A *	5/1953	Sparks	.....	206/777
D261,861	S *	11/1981	Carter	.....	D9/704
D267,475	S *	1/1983	Maroszek et al.	.....	D9/418
D271,944	S *	12/1983	Wood	.....	D9/416
D346,738	S *	5/1994	Kinigakis	.....	D9/711
D350,692	S *	9/1994	Seki	.....	D9/636
D382,510	S *	8/1997	Dallimore	.....	D11/143
D396,805	S *	8/1998	Broyles	.....	D9/432
D401,147	S *	11/1998	Miller	.....	D9/431
D418,751	S *	1/2000	Wolf	.....	D9/432

D420,582	S *	2/2000	Zellner et al.	.....	D9/418
D424,433	S *	5/2000	Perkins et al.	.....	D9/431
D424,931	S *	5/2000	Teasdale et al.	.....	D9/418
D425,413	S *	5/2000	Heeley et al.	.....	D9/415
D425,788	S *	5/2000	Teasdale et al.	.....	D9/418
D438,464	S *	3/2001	Newhouse et al.	.....	D9/417
D442,859	S *	5/2001	Hirschey	.....	D9/418
D527,998	S *	9/2006	Nixon	.....	D9/431
D548,071	S *	8/2007	Chen	.....	D9/432
7,255,261	B2 *	8/2007	Mesly	.....	229/117.08
D567,079	S *	4/2008	Fant	.....	D9/753
D578,876	S *	10/2008	Ambelang et al.	.....	D9/418
D610,904	S *	3/2010	Russell et al.	.....	D9/432
D622,139	S *	8/2010	Marcott et al.	.....	D9/418
D674,690	S *	1/2013	Sill	.....	D9/431
D680,425	S *	4/2013	Boswell	.....	D9/431
D684,464	S *	6/2013	Swart et al.	.....	D9/430
D685,633	S *	7/2013	Thomas	.....	D9/431
D688,939	S *	9/2013	Pearson et al.	.....	D9/431

(Continued)

*Primary Examiner* — Holly Baynham

*Assistant Examiner* — Rhea Shields

(74) *Attorney, Agent, or Firm* — Abelman, Frayne & Schwab

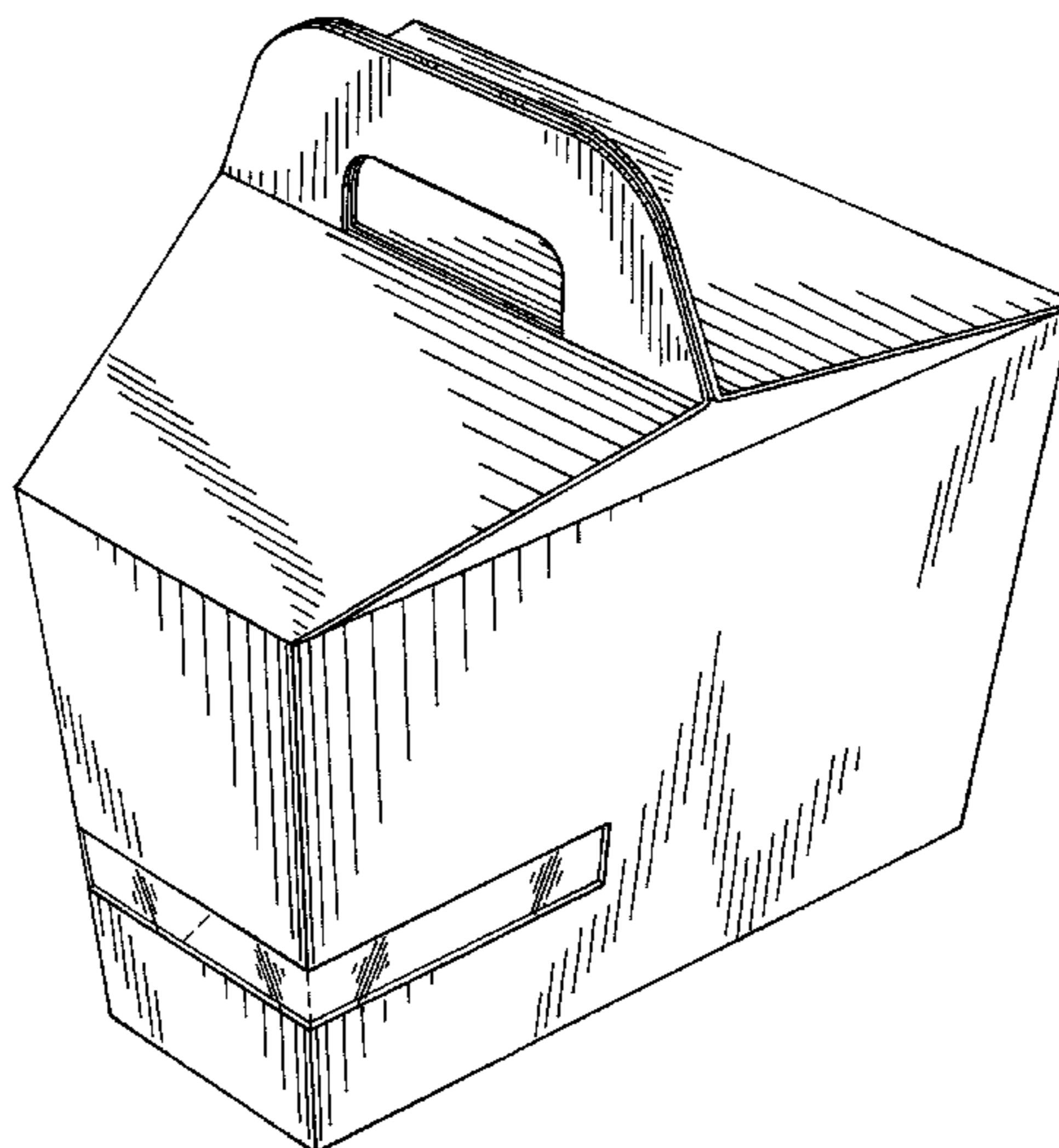
(57) **CLAIM**

The ornamental design for a lunch box, as shown and described.

**DESCRIPTION**

FIG. 1 is a top, front, and right side perspective view of a lunch box showing the new design;  
FIG. 2 is a top plan thereof;  
FIG. 3 is a front elevation view thereof;  
FIG. 4 is a right side elevation view thereof;  
FIG. 5 is a left side elevation view thereof;  
FIG. 6 is a rear elevation view thereof; and,  
FIG. 7 is a bottom plan.  
In the drawings, the broken lines are for the purpose of illustrating environment only and form no part of the claimed design.

**1 Claim, 7 Drawing Sheets**



# US D744,825 S

Page 2

---

(56)

## References Cited

U.S. PATENT DOCUMENTS

D693,677 S *	11/2013	Pearson et al. ....	D9/431
D701,455 S *	3/2014	Shepherd et al. ....	D9/418
D702,546 S *	4/2014	McAdam .....	D9/418
D690,590 S *	10/2013	Fux .....	D9/431

\* cited by examiner

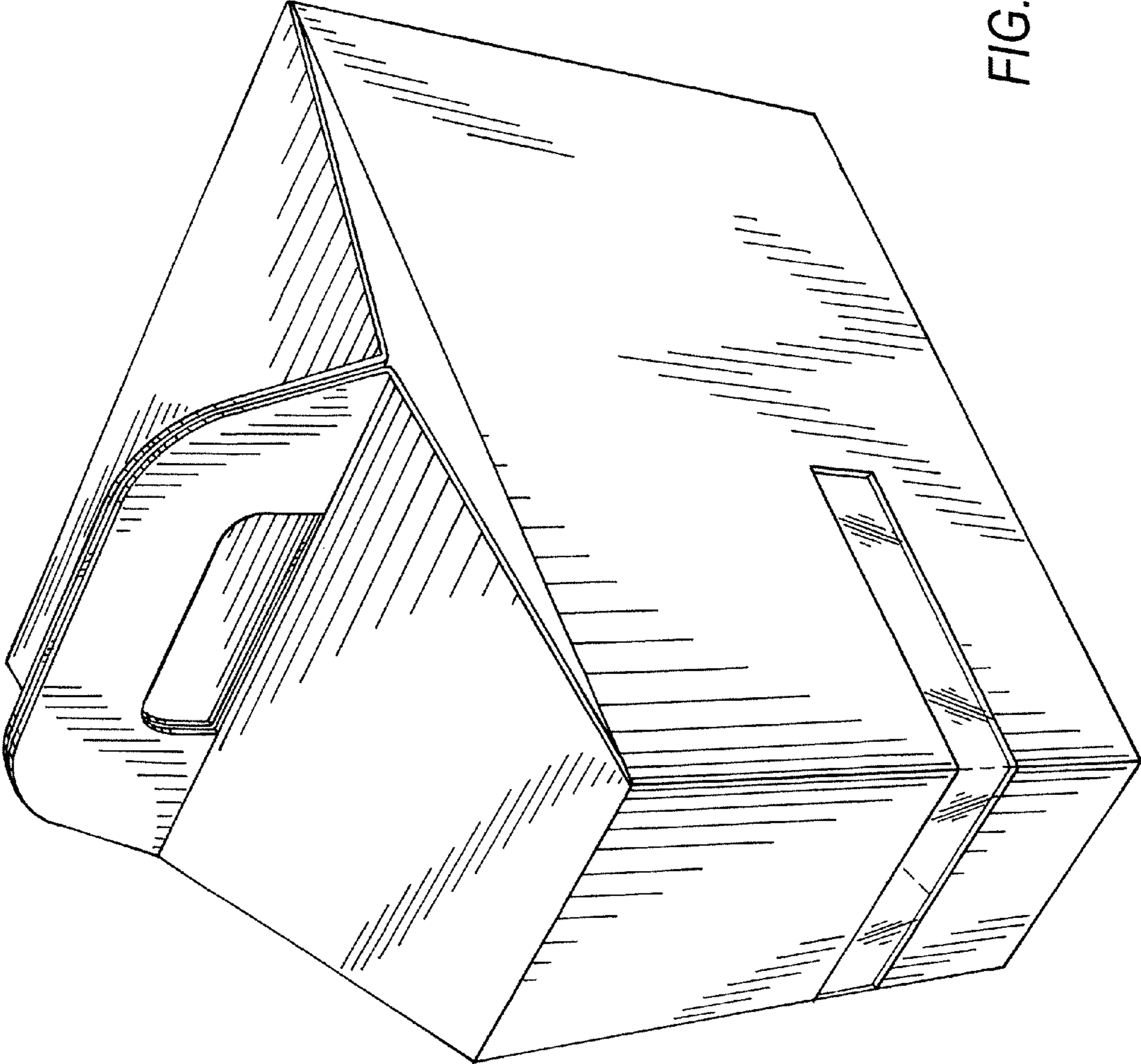


FIG. 1

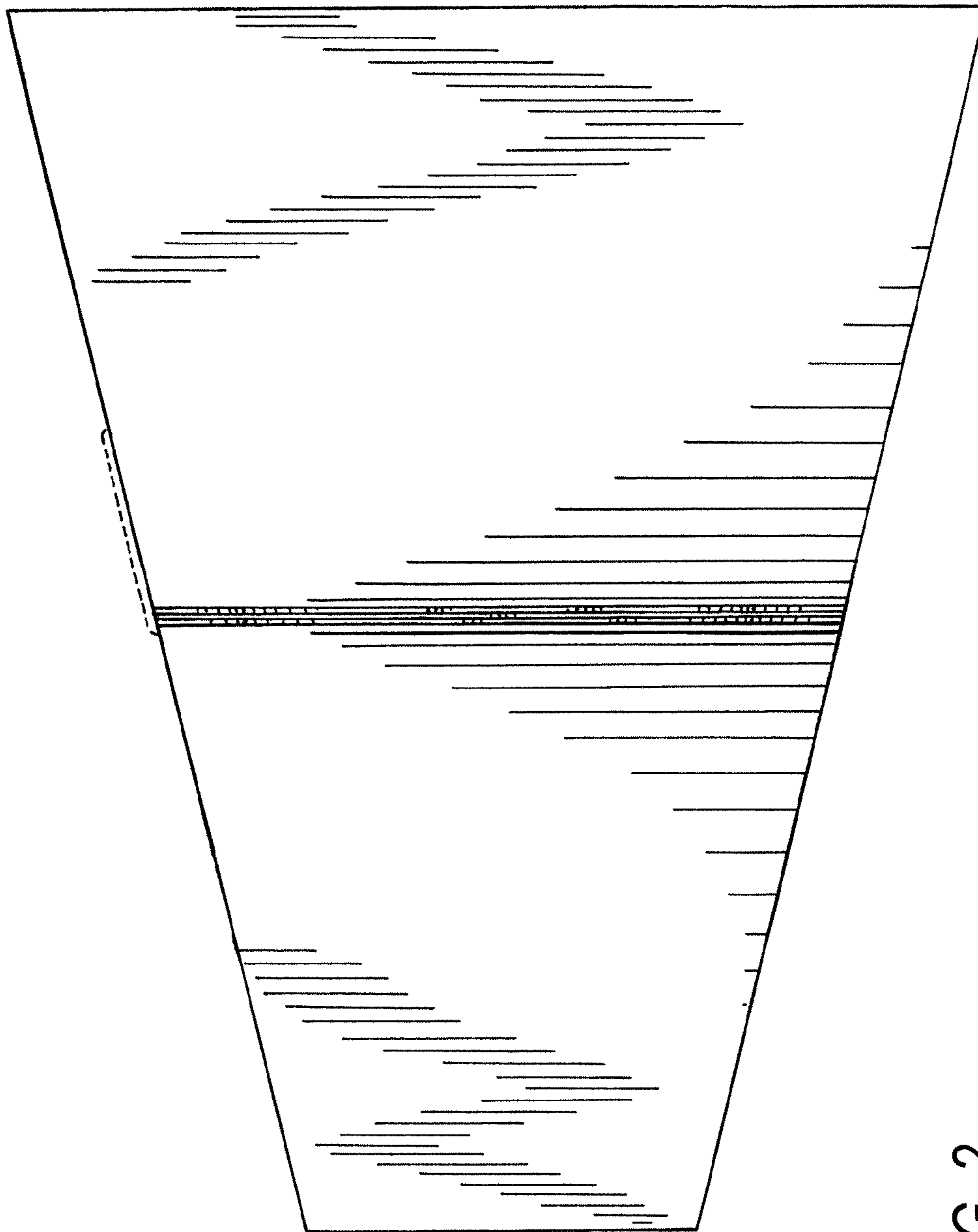


FIG. 2

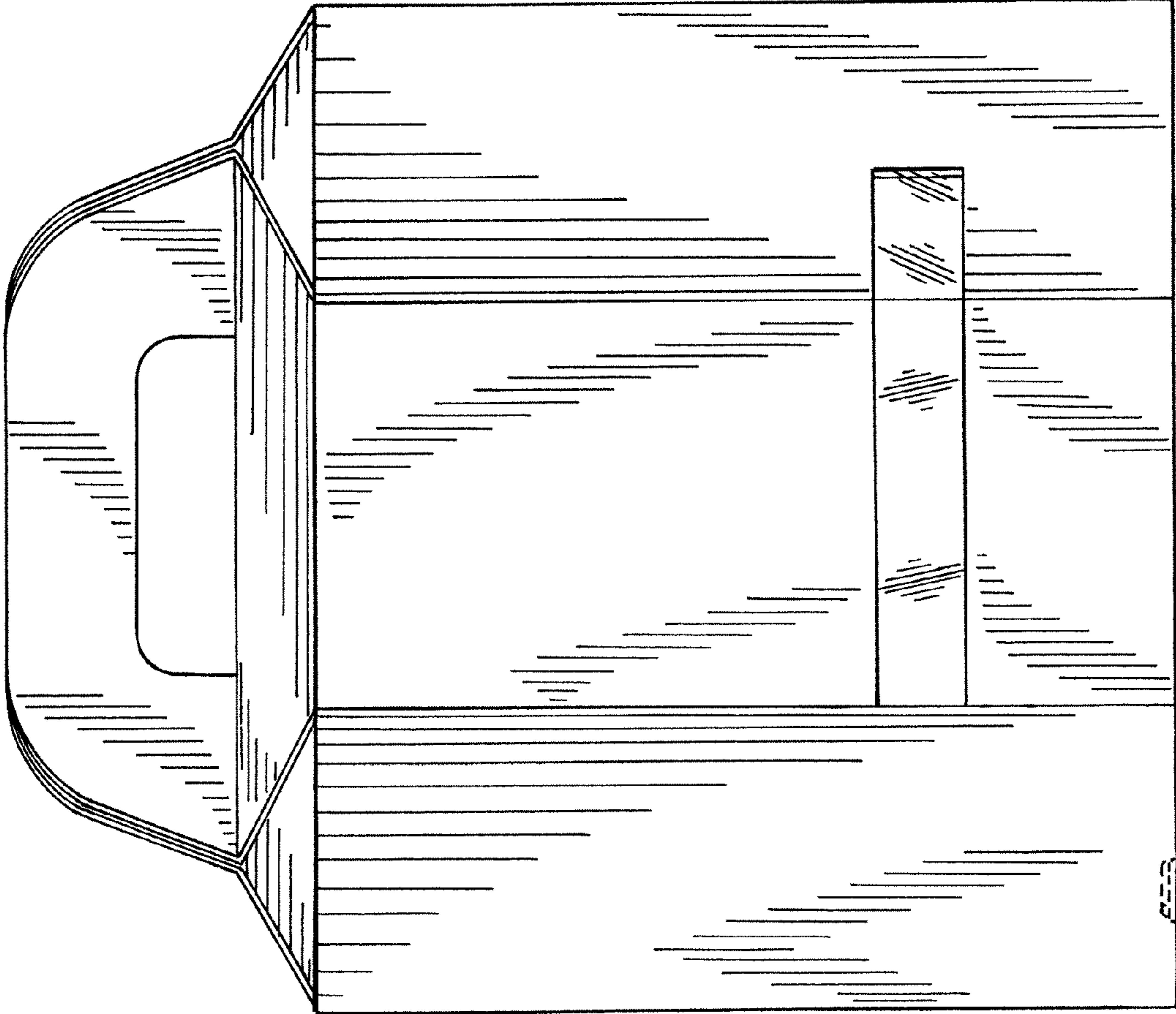
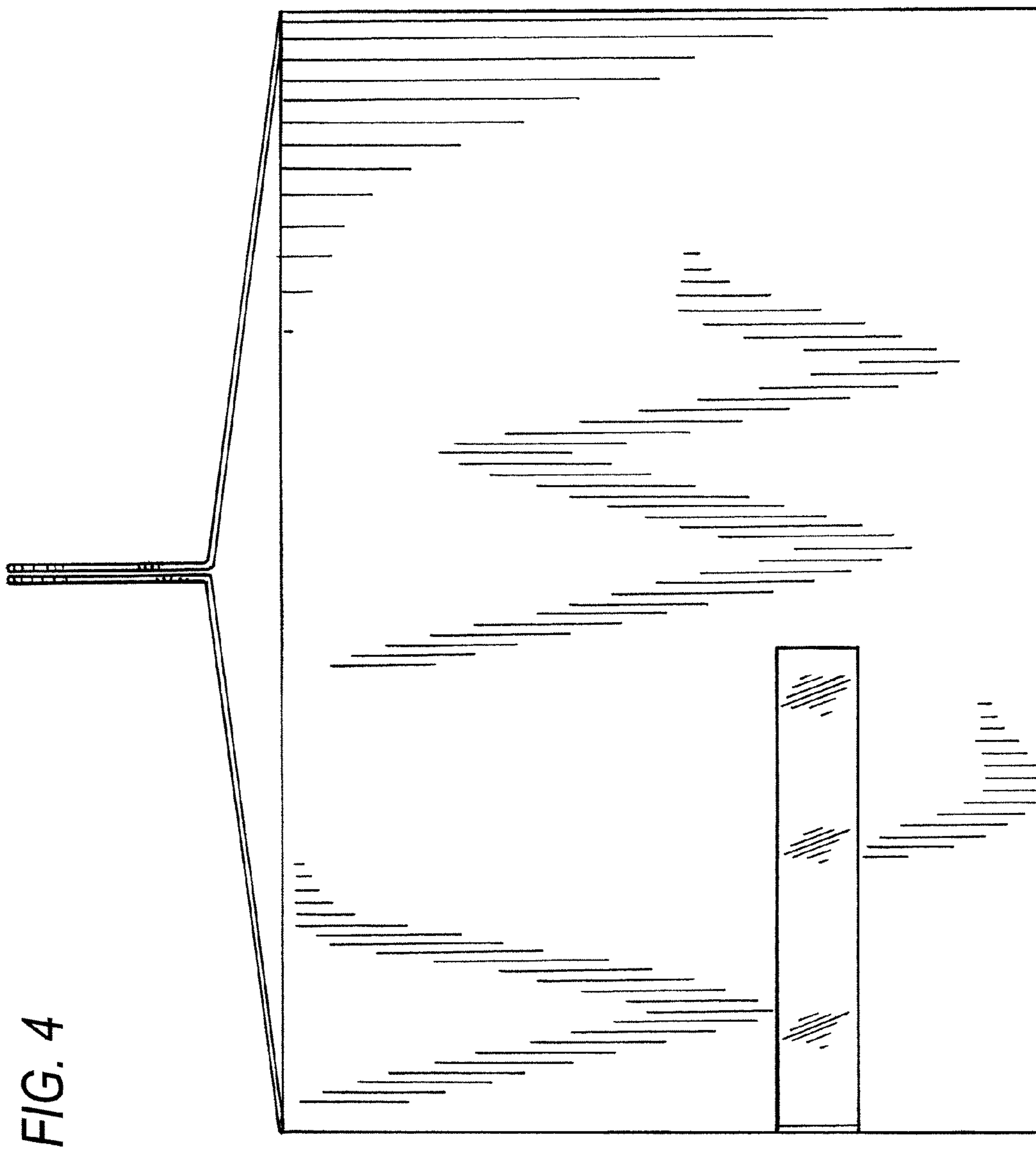


FIG. 3





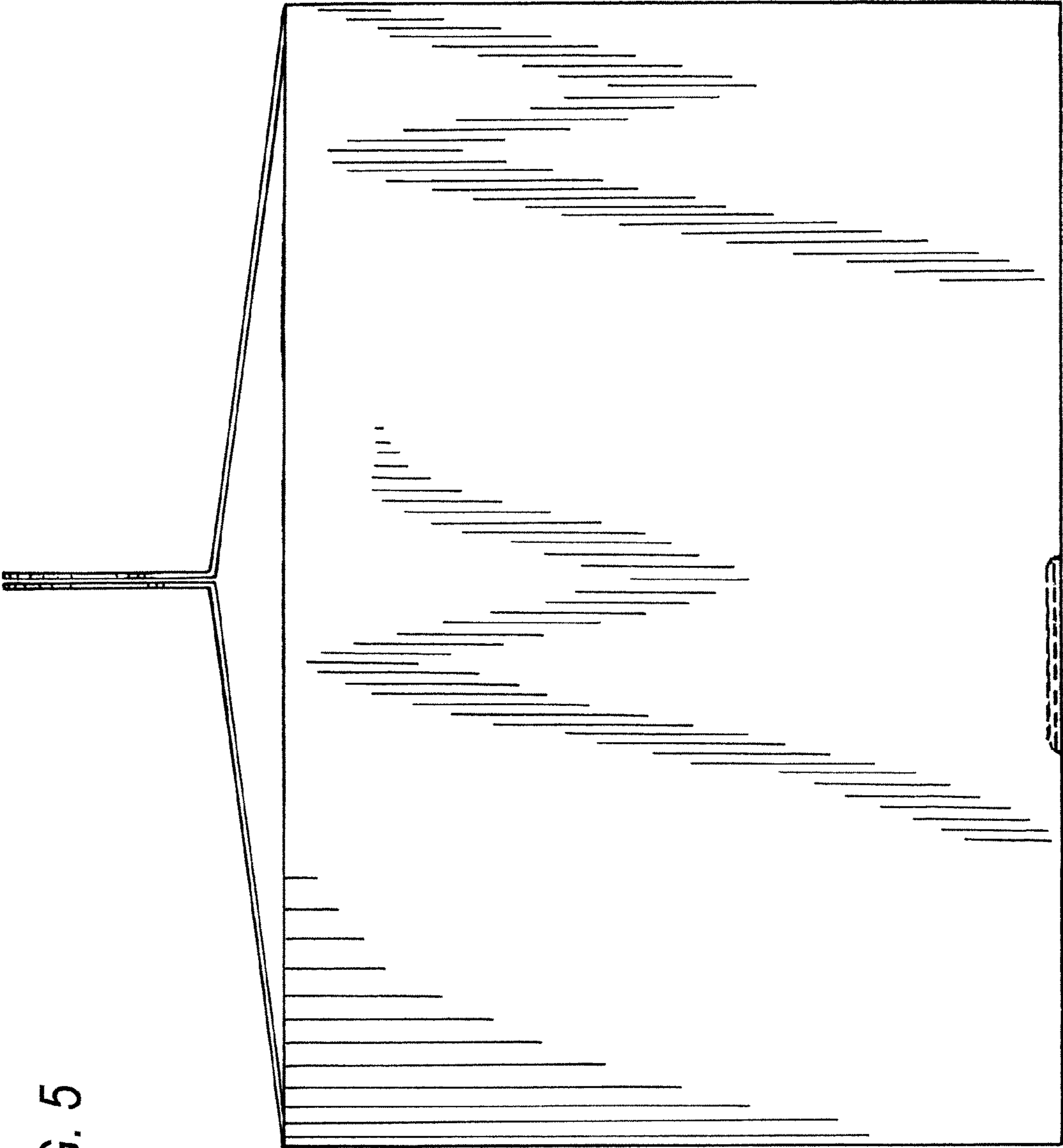


FIG. 5

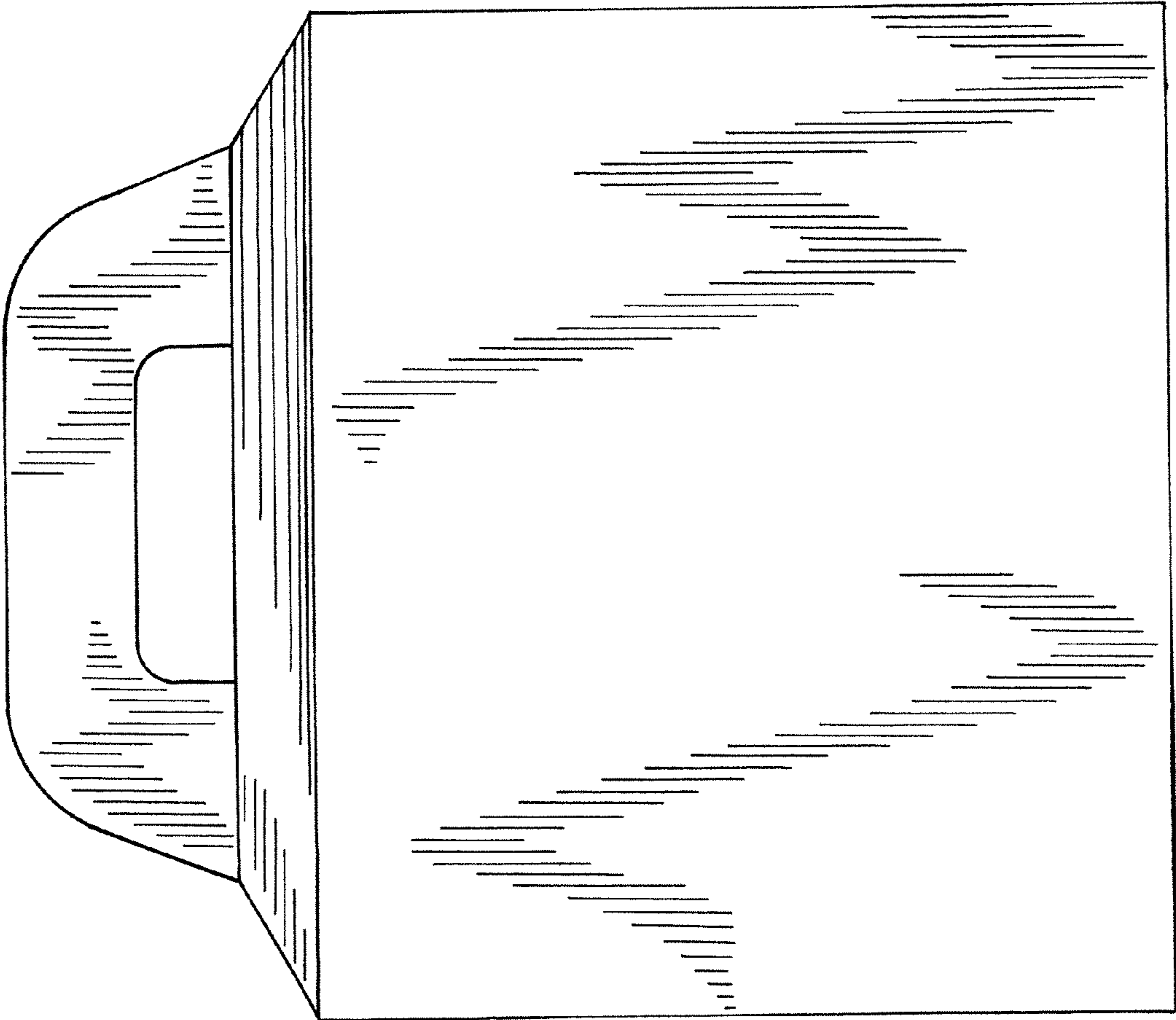


FIG. 6



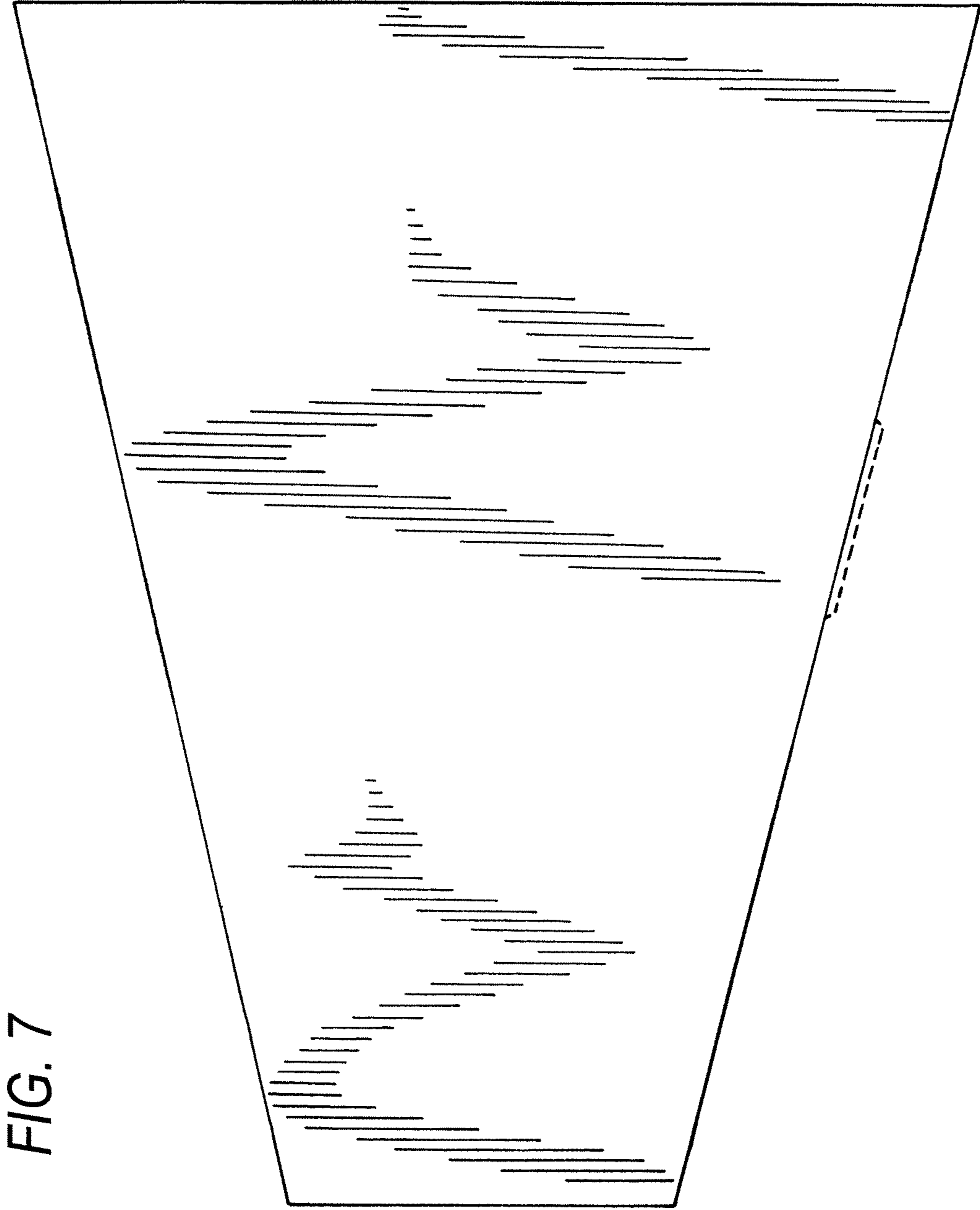


FIG. 7