



US00D744824S

(12) **United States Design Patent**  
**Holley, Jr.**

(10) **Patent No.:** **US D744,824 S**

(45) **Date of Patent:** **\*\* \*Dec. 8, 2015**

- (54) **ARTICLE DISPLAY**
- (71) Applicant: **Graphic Packaging International, Inc.**,  
Atlanta, GA (US)
- (72) Inventor: **John Murdick Holley, Jr.**,  
Lawrenceville, GA (US)
- (73) Assignee: **Graphic Packaging International, Inc.**,  
Atlanta, GA (US)
- (\*) Notice: This patent is subject to a terminal disclaimer.
- (\*\*) Term: **14 Years**
- (21) Appl. No.: **29/474,659**
- (22) Filed: **Dec. 17, 2014**
- (51) **LOC (10) Cl.** ..... **09-03**
- (52) **U.S. Cl.**  
USPC ..... **D9/415**
- (58) **Field of Classification Search**  
USPC ..... D9/415, 722, 456, 457, 749, 418, 423,  
D9/424, 428, 431, 499, 436; 211/76, 41.1;  
206/348, 49, 162, 320; D6/678.3, 683  
CPC .. A47G 23/025; H01L 21/6734; G09F 5/042;  
B65D 85/677; B65D 2571/0066; G06F 1/1628  
See application file for complete search history.

- D354,679 S 1/1995 Dunn
- D358,967 S 6/1995 Knighton
- 5,695,232 A 12/1997 Tipp
- 5,919,074 A \* 7/1999 Honda ..... 446/268
- 5,927,502 A 7/1999 Hunter
- D428,738 S \* 8/2000 Brozak, Jr. .... D6/678.3
- 6,170,674 B1 \* 1/2001 Caterinacci ..... 211/41.1
- D521,553 S 5/2006 Sterman
- 7,055,680 B2 6/2006 Liebers
- D525,866 S \* 8/2006 Oliveira ..... D9/751
- D541,150 S \* 4/2007 Holley, Jr. .... D9/434
- D560,115 S 1/2008 Peyridieu et al.
- D597,766 S \* 8/2009 Nealon et al. .... D6/683
- D599,214 S 9/2009 Born et al.
- D606,861 S 12/2009 Pavlinac
- D609,563 S 2/2010 Daum et al.
- D618,671 S 6/2010 Hou
- D620,353 S 7/2010 Block et al.
- D620,354 S 7/2010 Block

(Continued)

*Primary Examiner* — Holly Baynham

*Assistant Examiner* — Rhea Shields

(74) *Attorney, Agent, or Firm* — Womble Carlyle Sandridge & Rice, LLP

- (56) **References Cited**  
U.S. PATENT DOCUMENTS
- 42,943 A \* 5/1864 Hance ..... 211/76
- 2,322,057 A \* 6/1943 Poutinen ..... 206/348
- 2,628,054 A 2/1953 Fazakerley
- 2,839,185 A \* 6/1958 Isaacs ..... 206/49
- D303,057 S 8/1989 Smith
- D304,795 S 11/1989 Klopp
- D305,304 S 1/1990 McCaleb
- D329,763 S 9/1992 Cuminale

(57) **CLAIM**  
The ornamental design for an article display, as shown and described.

**DESCRIPTION**

FIG. 1 is a right front perspective view of article display, showing our new design.

FIG. 2 is a front elevation view of the design.

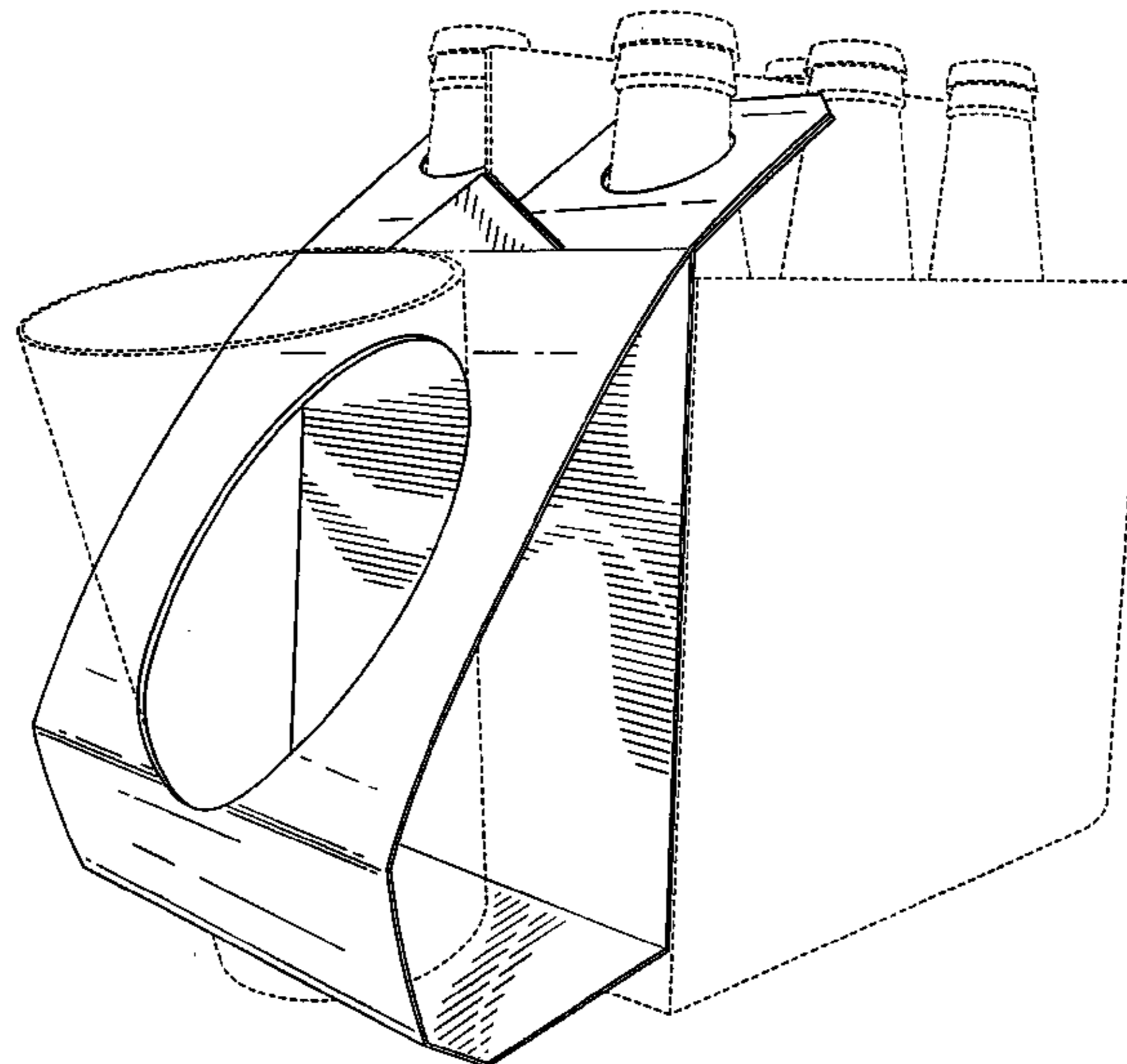
FIG. 3 is a right elevation view of the design.

FIG. 4 is a left elevation view of the design.

FIG. 5 is a top plan view shown in another environment; and, FIG. 6 is a bottom plan view of the design.

In the drawings, the broken lines are for the purpose of illustrating environment only and form no part of the claimed design.

**1 Claim, 6 Drawing Sheets**



(56)

**References Cited**

U.S. PATENT DOCUMENTS

D625,530 S \* 10/2010 Robbins, III ..... D6/683  
D642,935 S 8/2011 Bergeron et al.  
D668,545 S 10/2012 Cox  
8,522,970 B2 \* 9/2013 Hsieh ..... 206/320

D702,133 S 4/2014 Partrat  
D718,628 S 12/2014 Lee  
D729,073 S 5/2015 Wasilewski  
D730,091 S 5/2015 Chan  
D734,452 S 7/2015 Sharpe  
2002/0117407 A1 \* 8/2002 Holley, Jr. .... 206/162

\* cited by examiner

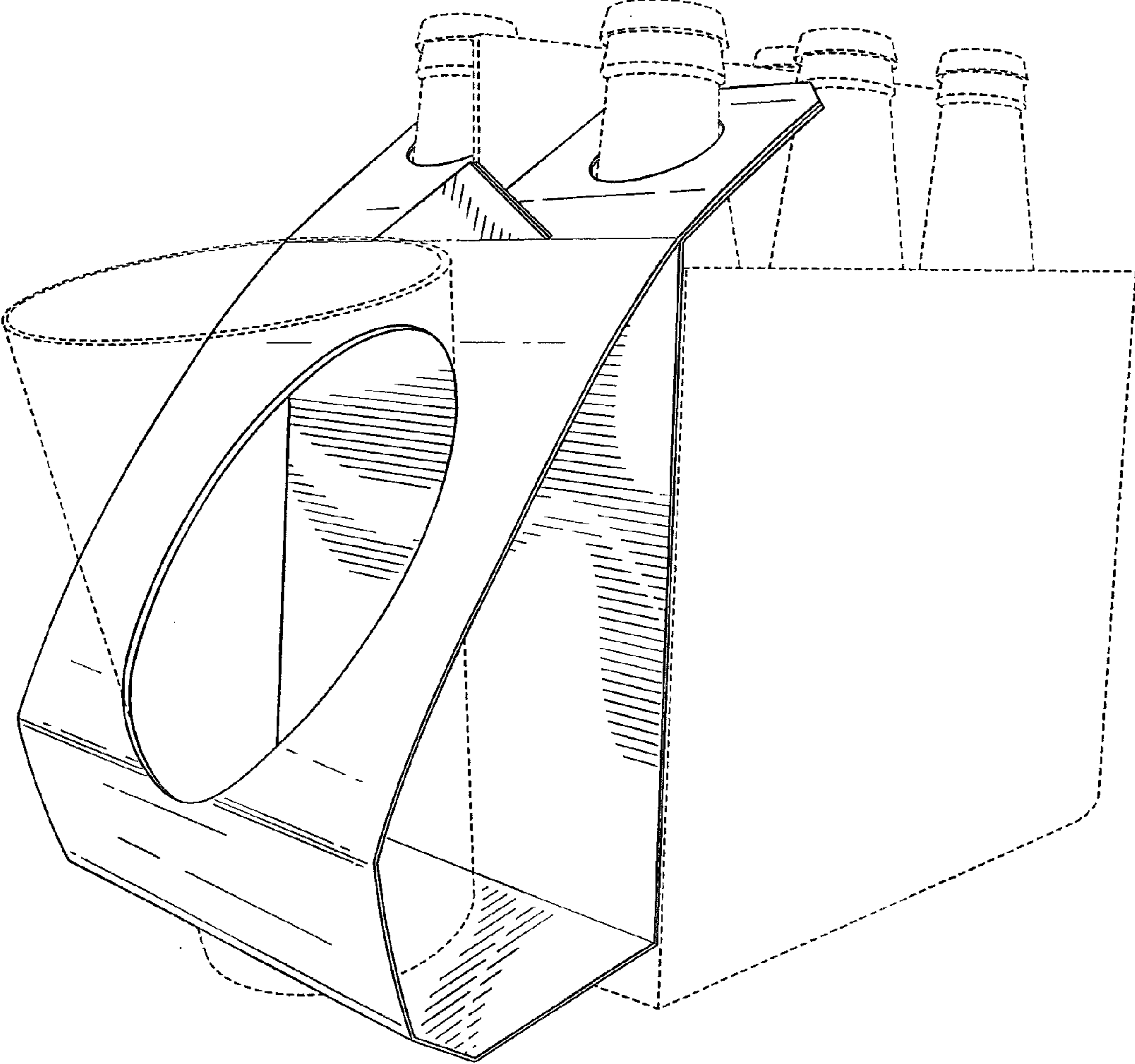


FIG. 1

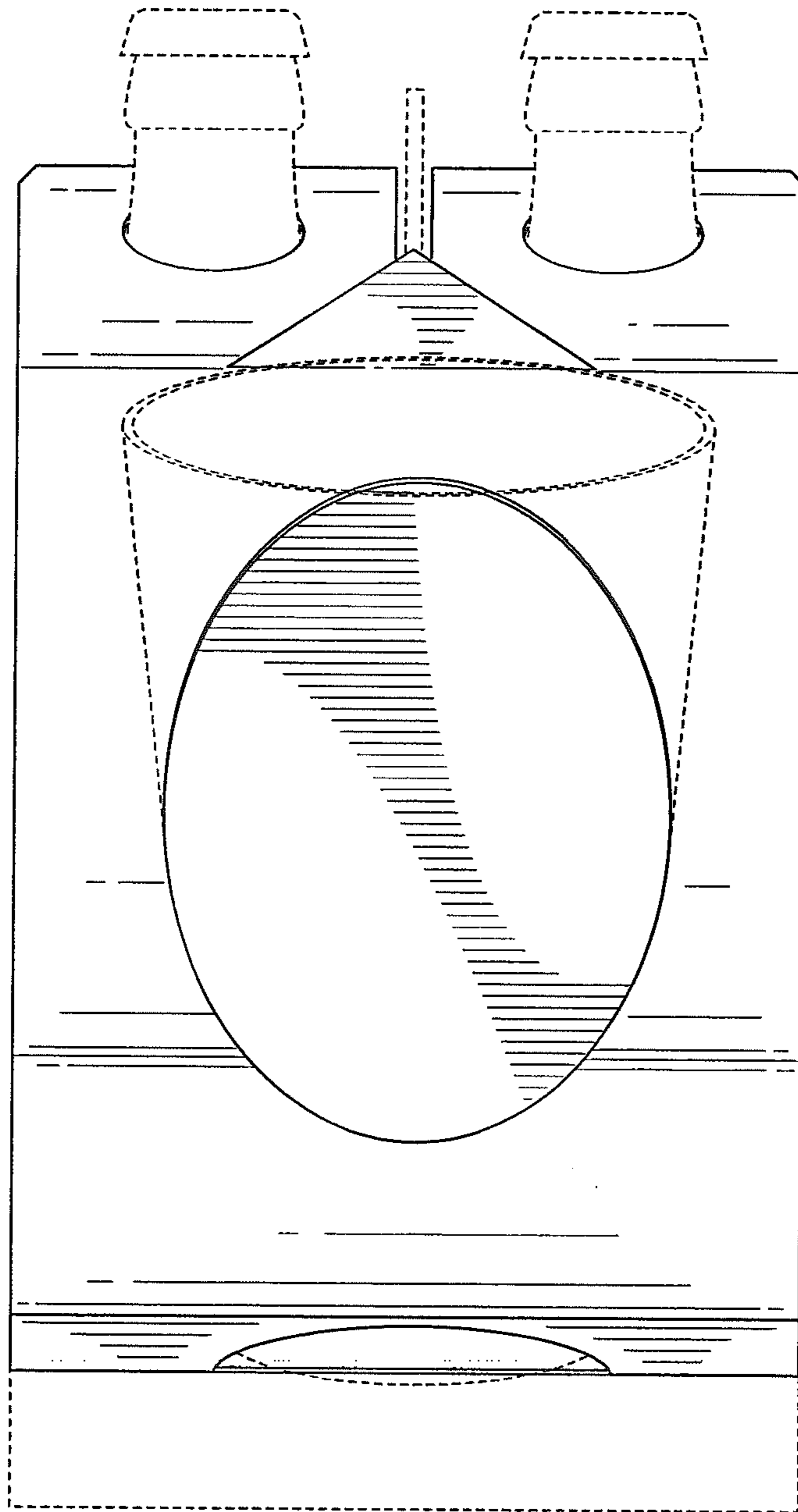


FIG. 2

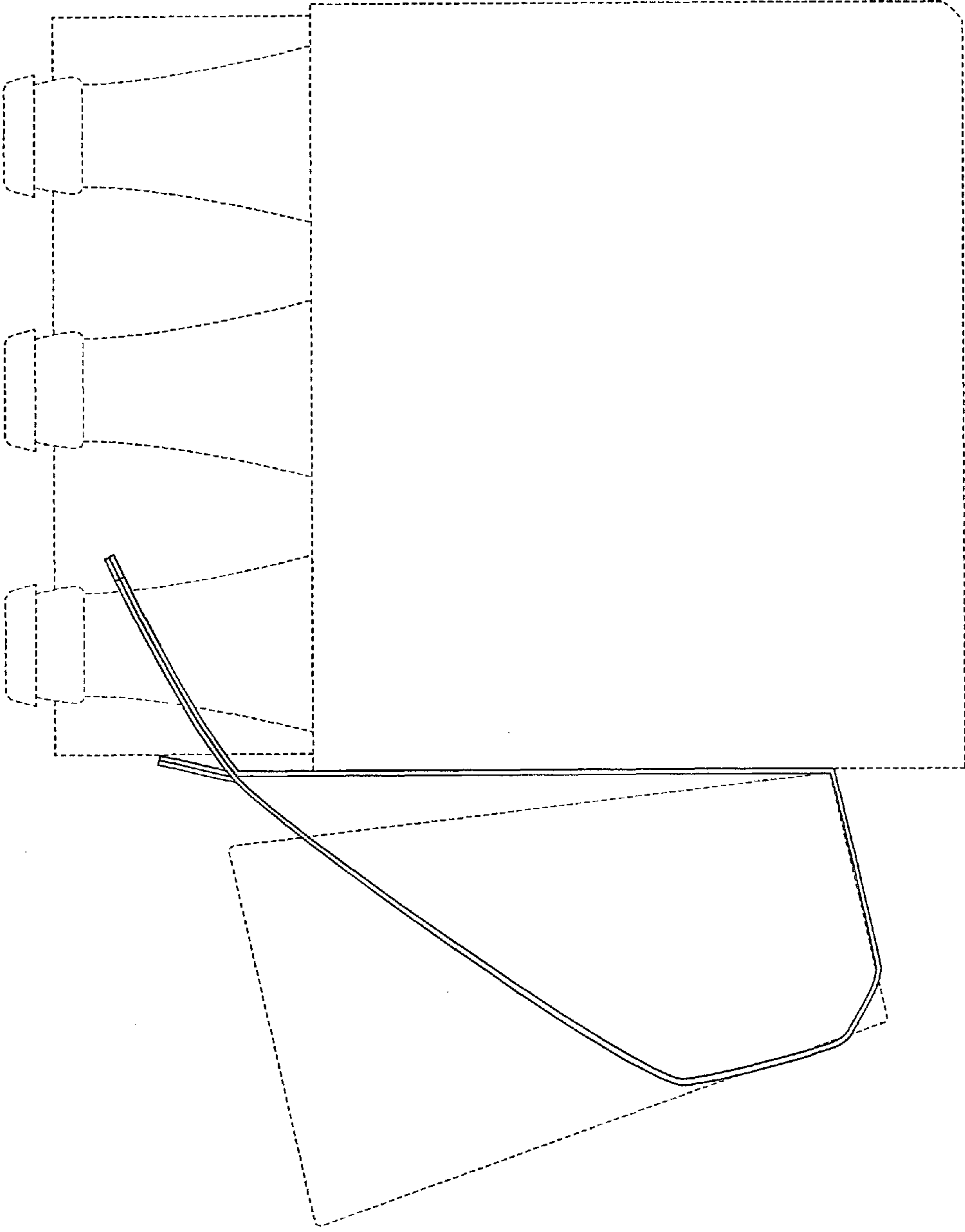


FIG. 3

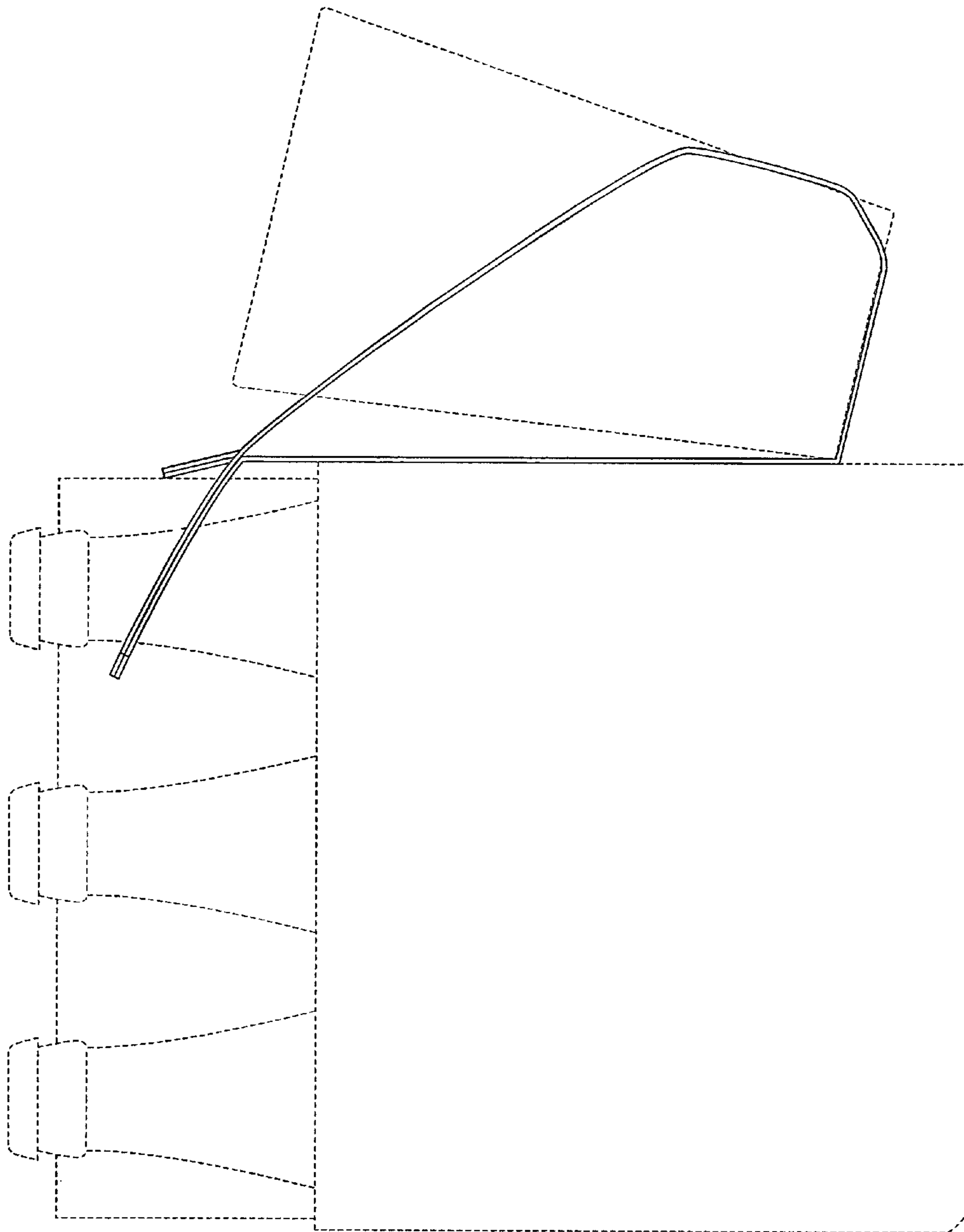


FIG. 4

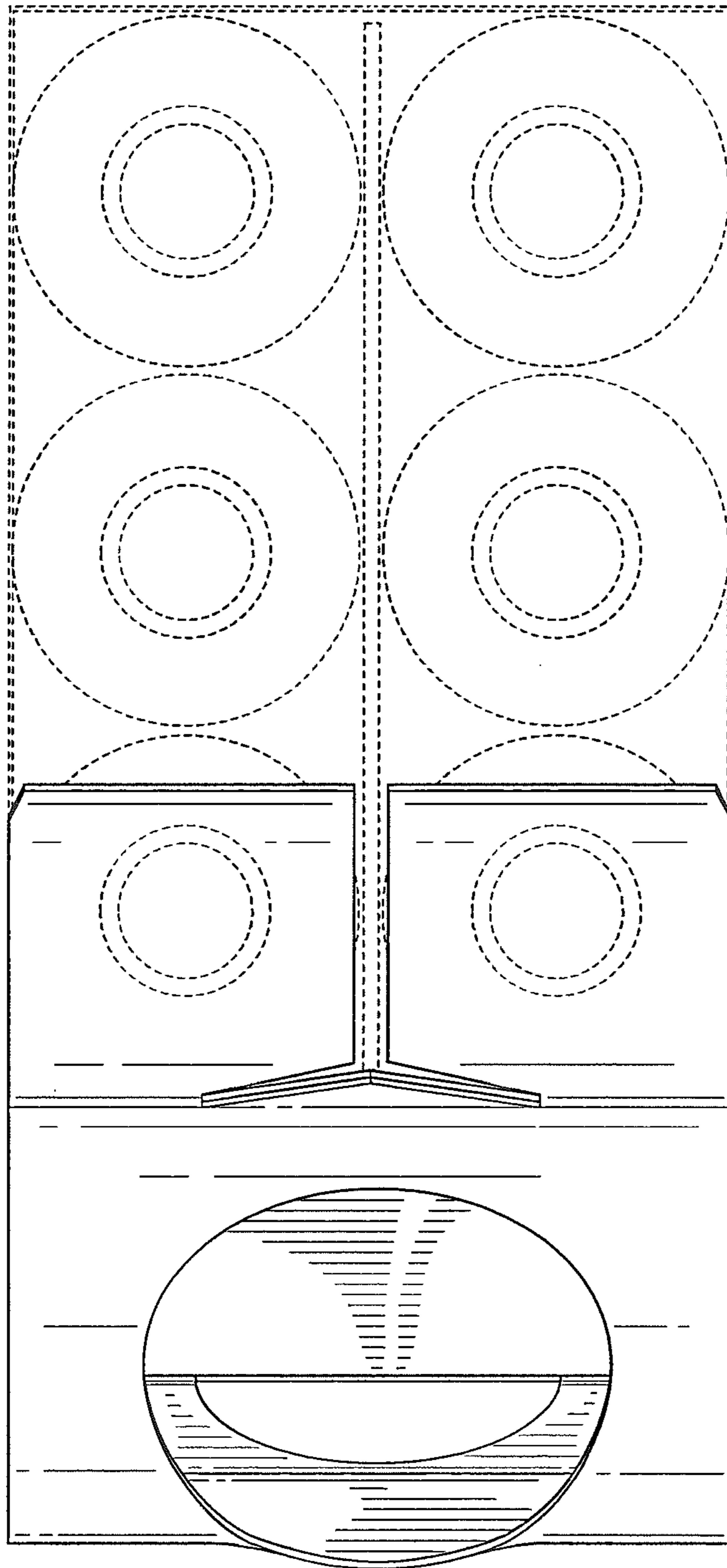


FIG. 5

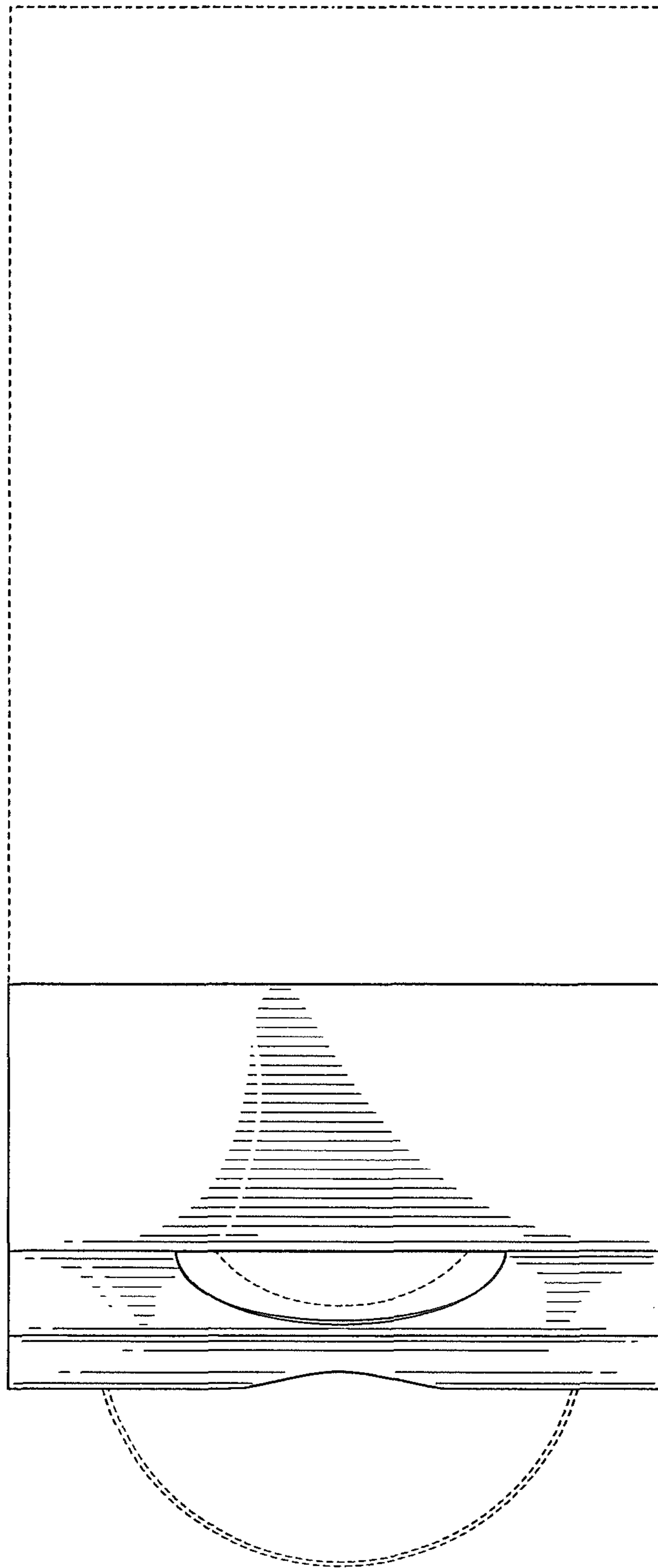


FIG. 6