



US00D744823S

(12) **United States Design Patent**
Holley, Jr.

(10) **Patent No.:** **US D744,823 S**

(45) **Date of Patent:** **** Dec. 8, 2015**

- (54) **ARTICLE DISPLAY**
- (71) Applicant: **Graphic Packaging International, Inc.**,
Atlanta, GA (US)
- (72) Inventor: **John Murdick Holley, Jr.**,
Lawrenceville, GA (US)
- (73) Assignee: **Graphic Packaging International, Inc.**,
Atlanta, GA (US)
- (**) Term: **14 Years**
- (21) Appl. No.: **29/474,658**
- (22) Filed: **Dec. 17, 2014**
- (51) **LOC (10) Cl.** **09-03**
- (52) **U.S. Cl.**
USPC **D9/415**
- (58) **Field of Classification Search**
USPC D9/415, 722, 456, 457, 749, 418, 423,
D9/424, 428, 431, 499, 753, 751, 434, 667,
D9/433, 711, 455; 211/76, 41.1; 206/348,
206/49, 162, 320, 5, 549; D6/678.3, 683,
D6/681, 634, 672; D24/128; D8/373;
D14/223; D19/2; 446/268; 294/87.2;
D7/620; 248/311.2
CPC .. A47G 23/025; H01L 21/6734; G09F 5/042;
B65D 85/677; B65D 2571/0066; G06F 1/1628
See application file for complete search history.

- D354,679 S * 1/1995 Dunn D9/415
- D358,967 S * 6/1995 Knighton D7/620
- 5,695,232 A * 12/1997 Tipp 294/87.2
- 5,919,074 A * 7/1999 Honda 446/268
- 5,927,502 A * 7/1999 Hunter 206/549
- D428,738 S * 8/2000 Brozak, Jr. D6/678.3
- 6,170,674 B1 * 1/2001 Caterinacci 211/41.1
- D521,553 S * 5/2006 Sterman D19/2
- 7,055,680 B2 * 6/2006 Liebers 206/5
- D525,866 S * 8/2006 Oliveira D9/751
- D541,150 S * 4/2007 Holley, Jr. D9/434
- D560,115 S * 1/2008 Peyridieu et al. D8/373
- D597,766 S * 8/2009 Nealon et al. D6/683
- D599,214 S * 9/2009 Born et al. D9/667
- D606,861 S * 12/2009 Pavlinac D9/434
- D609,563 S * 2/2010 Daum et al. D6/634
- D618,671 S * 6/2010 Hou D14/223
- D620,353 S * 7/2010 Block et al. D9/433
- D620,354 S * 7/2010 Block D9/433

(Continued)

Primary Examiner — Holly Baynham

Assistant Examiner — Rhea Shields

(74) *Attorney, Agent, or Firm* — Womble Carlyle Sandridge & Rice, LLP

(57) **CLAIM**

The ornamental design for an article display, as shown and described.

DESCRIPTION

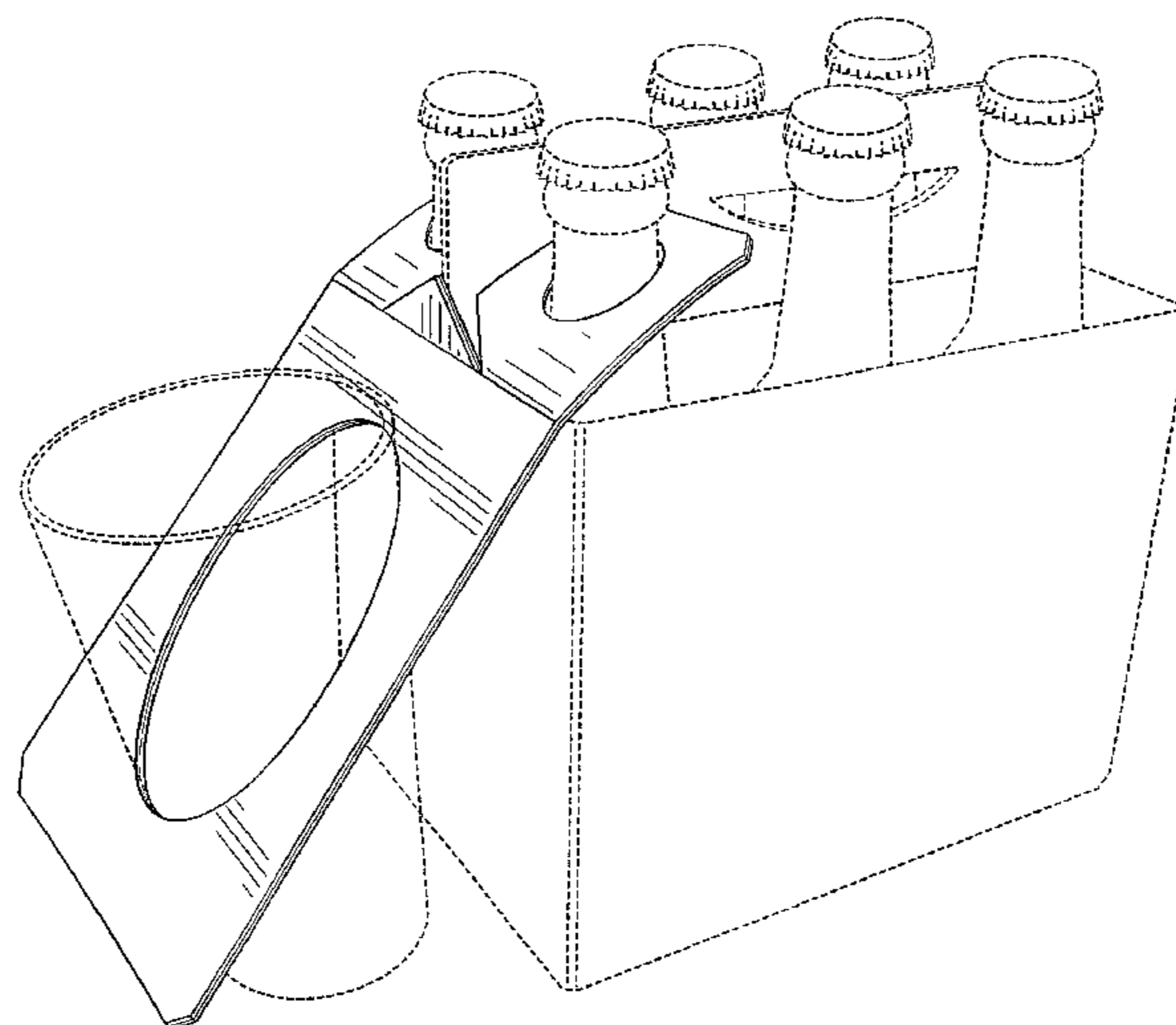
FIG. 1 is a right front perspective view of the article display, showing our new design;
 FIG. 2 is a front elevation view thereof;
 FIG. 3 is a right elevation view thereof;
 FIG. 4 is a left elevation view thereof;
 FIG. 5 is a top plan view shown in another environment; and,
 FIG. 6 is a bottom plan view.
 In the drawings, the broken lines are for the purpose of illustrating environment only and form no part of the claimed design.

1 Claim, 6 Drawing Sheets

(56) **References Cited**

U.S. PATENT DOCUMENTS

- 42,943 A * 5/1864 Hance 211/76
- 2,322,057 A * 6/1943 Poutinen 206/348
- 2,628,054 A * 2/1953 Fazakerley 248/311.2
- 2,839,185 A * 6/1958 Isaacs 206/49
- D303,057 S * 8/1989 Smith D7/620
- D304,795 S * 11/1989 Klopp D7/620
- D305,304 S * 1/1990 McCaleb D9/751
- D329,763 S * 9/1992 Cuminale D6/672



(56)

References Cited

U.S. PATENT DOCUMENTS

D625,530 S * 10/2010 Robbins, III D6/683
D642,935 S * 8/2011 Bergeron et al. D9/711
D668,545 S * 10/2012 Cox D9/455
8,522,970 B2 * 9/2013 Hsieh 206/320

D702,133 S * 4/2014 Partrat D9/722
D718,628 S * 12/2014 Lee D9/457
D729,073 S * 5/2015 Wasilewski D9/753
D730,091 S * 5/2015 Chan D6/681
D734,452 S * 7/2015 Sharpe D24/128
2002/0117407 A1 * 8/2002 Holley, Jr. 206/162

* cited by examiner

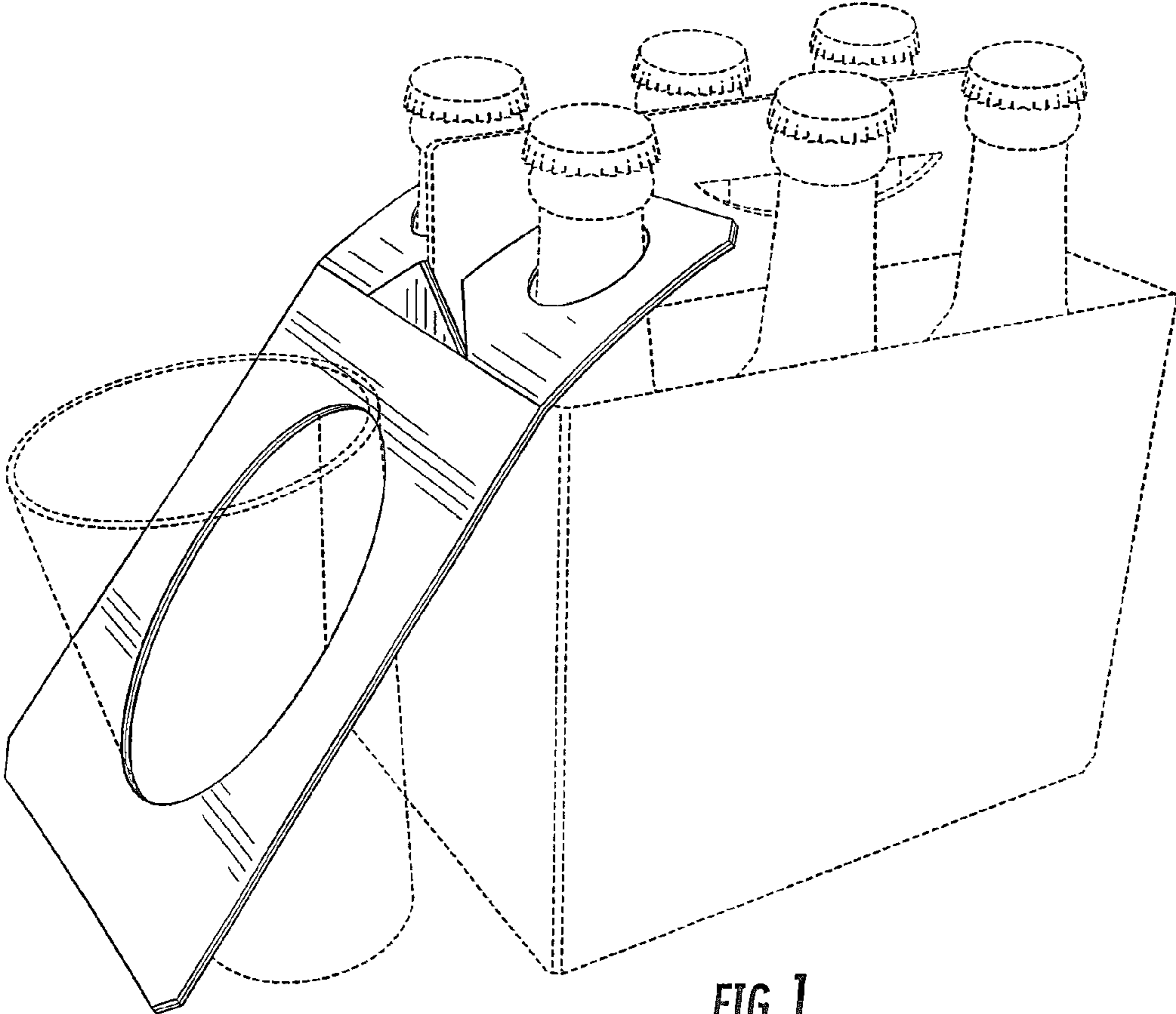


FIG. 1

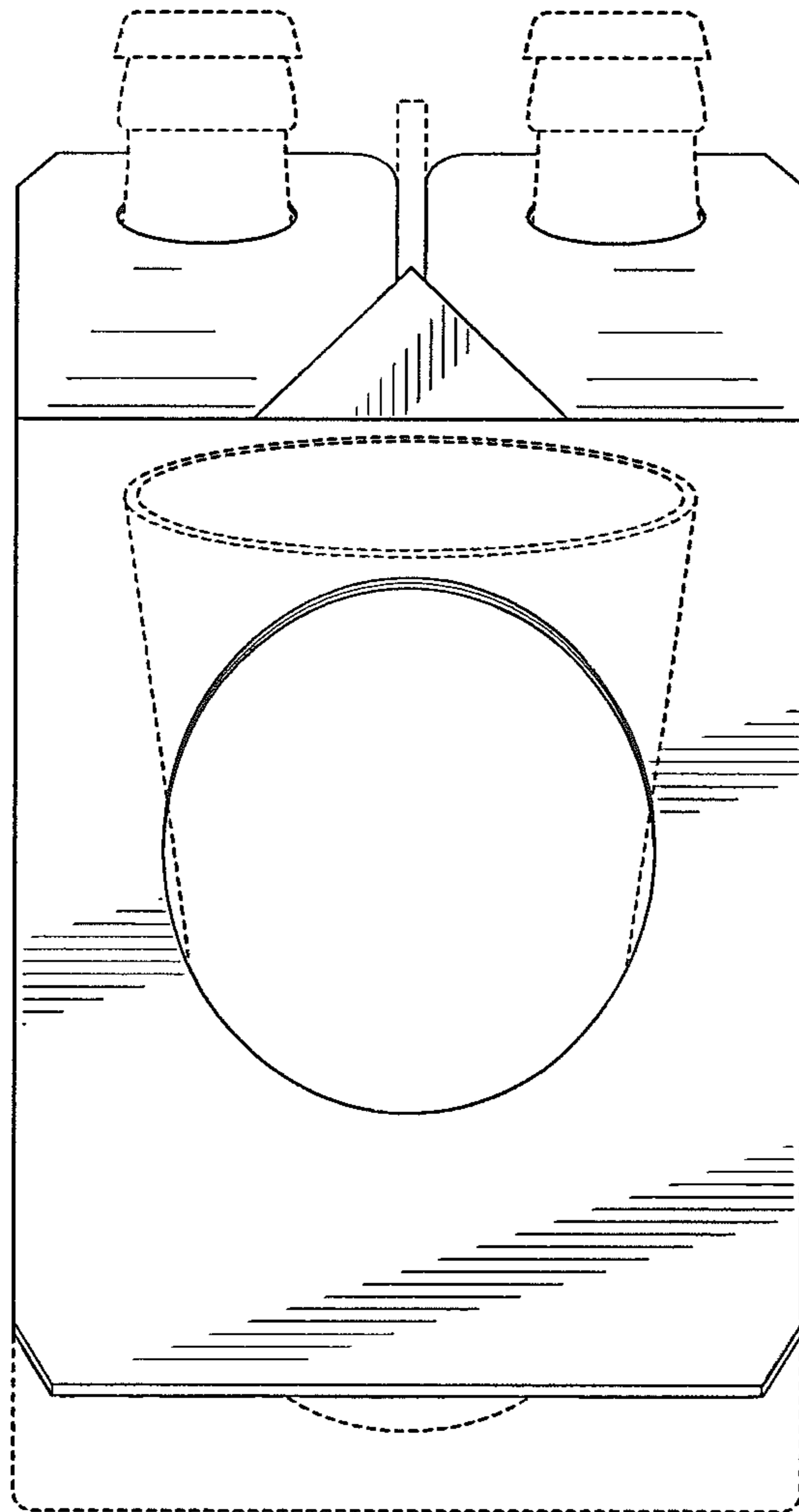


FIG. 2

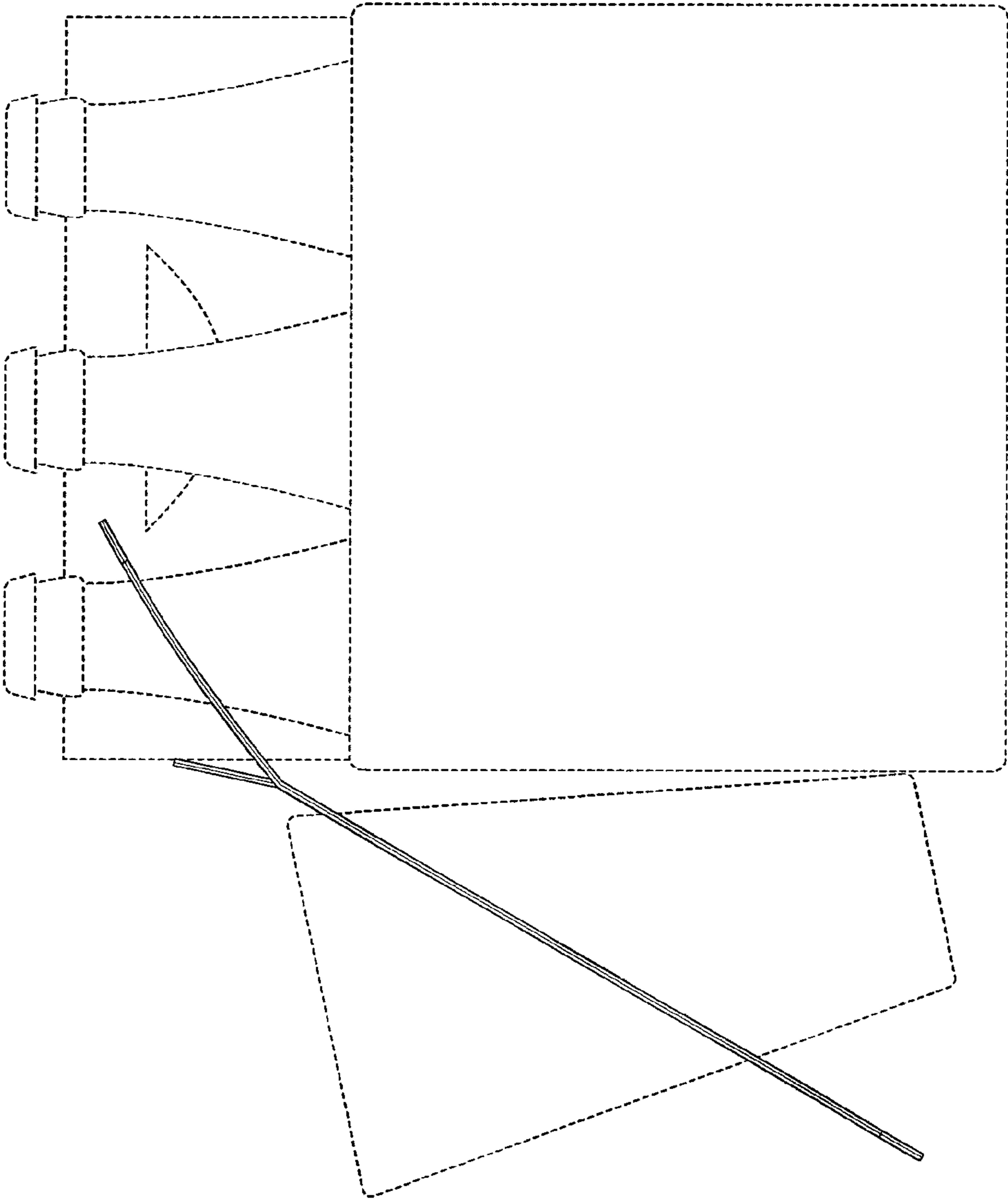


FIG. 3

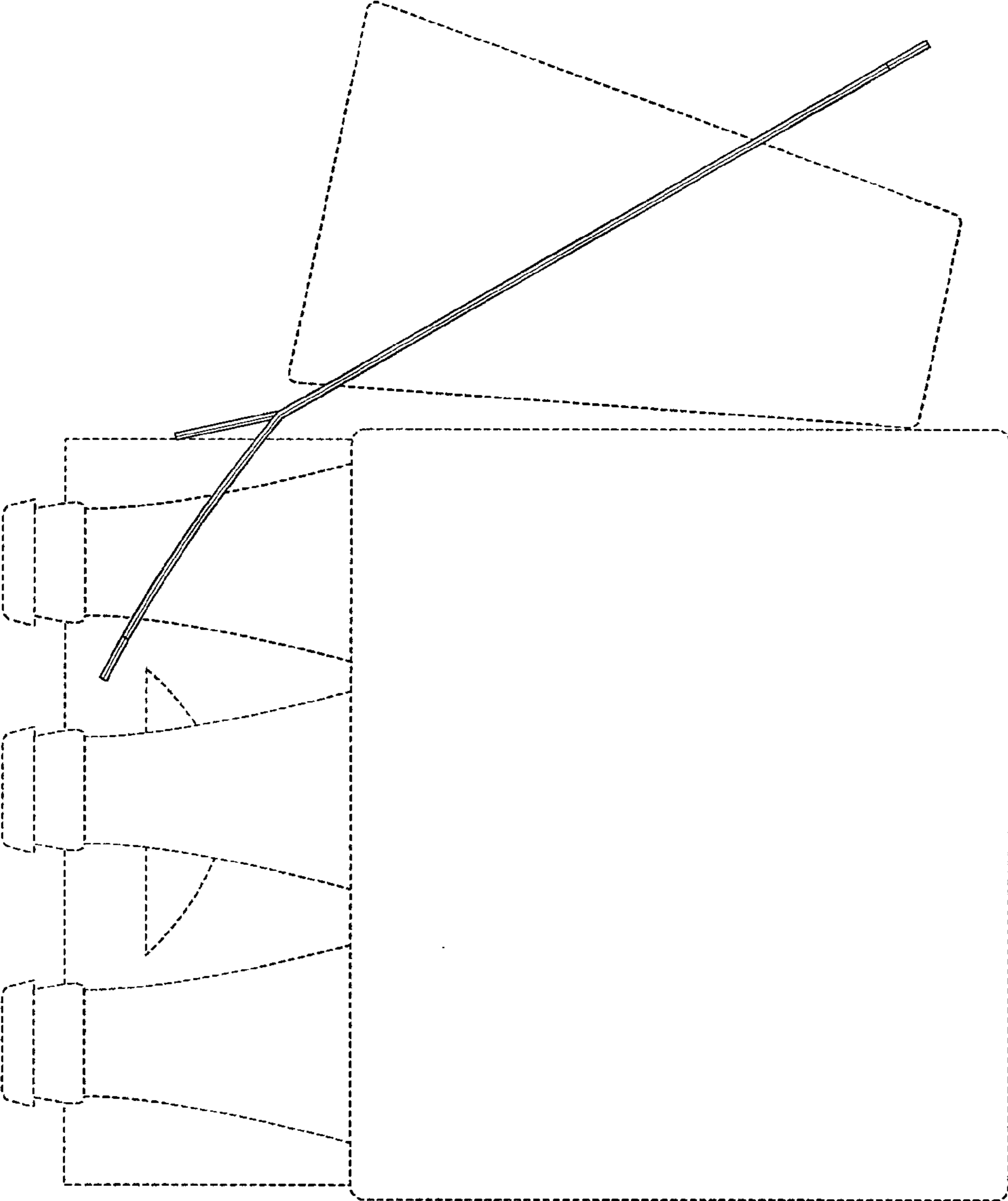


FIG. 4

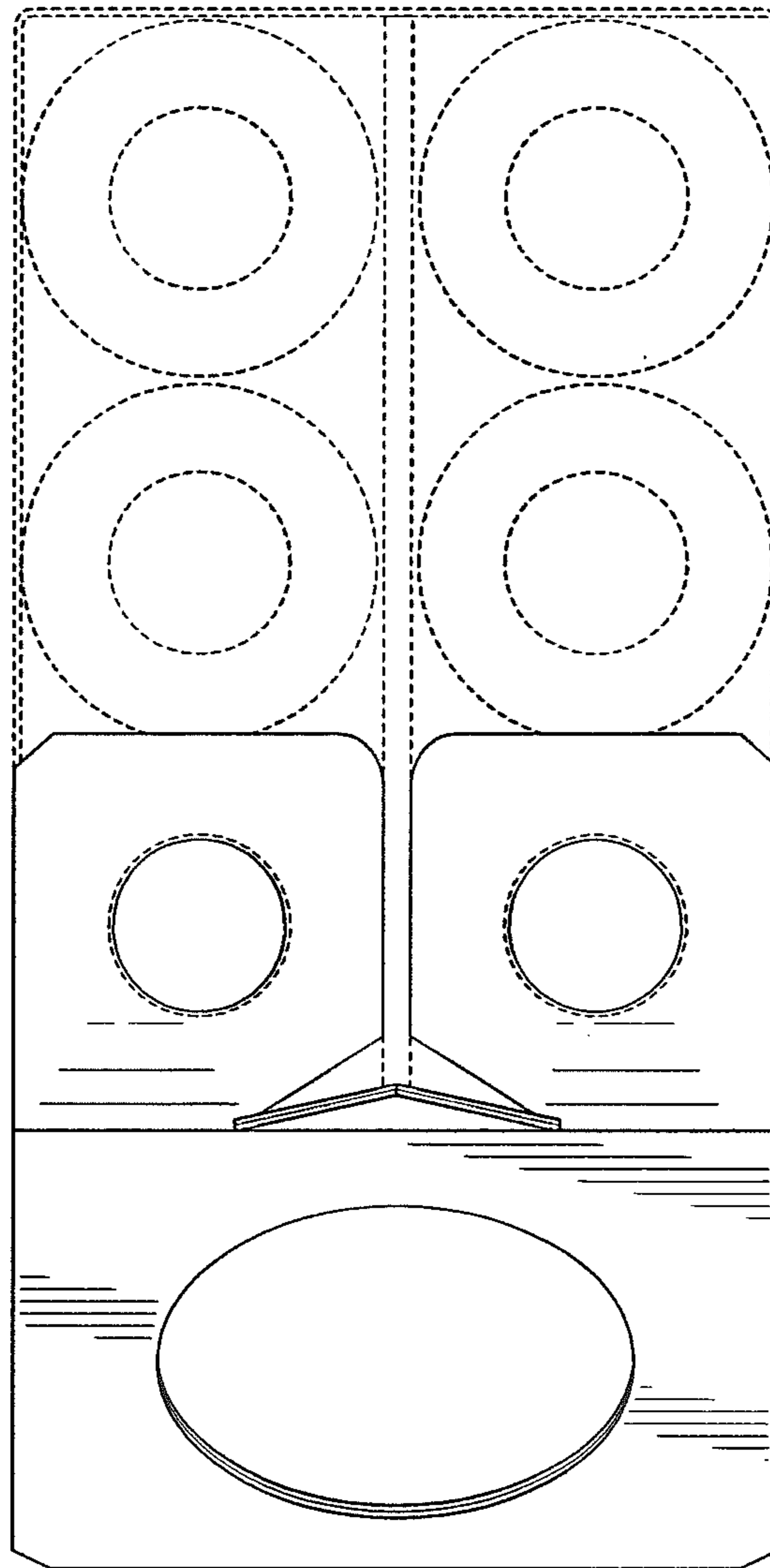


FIG. 5

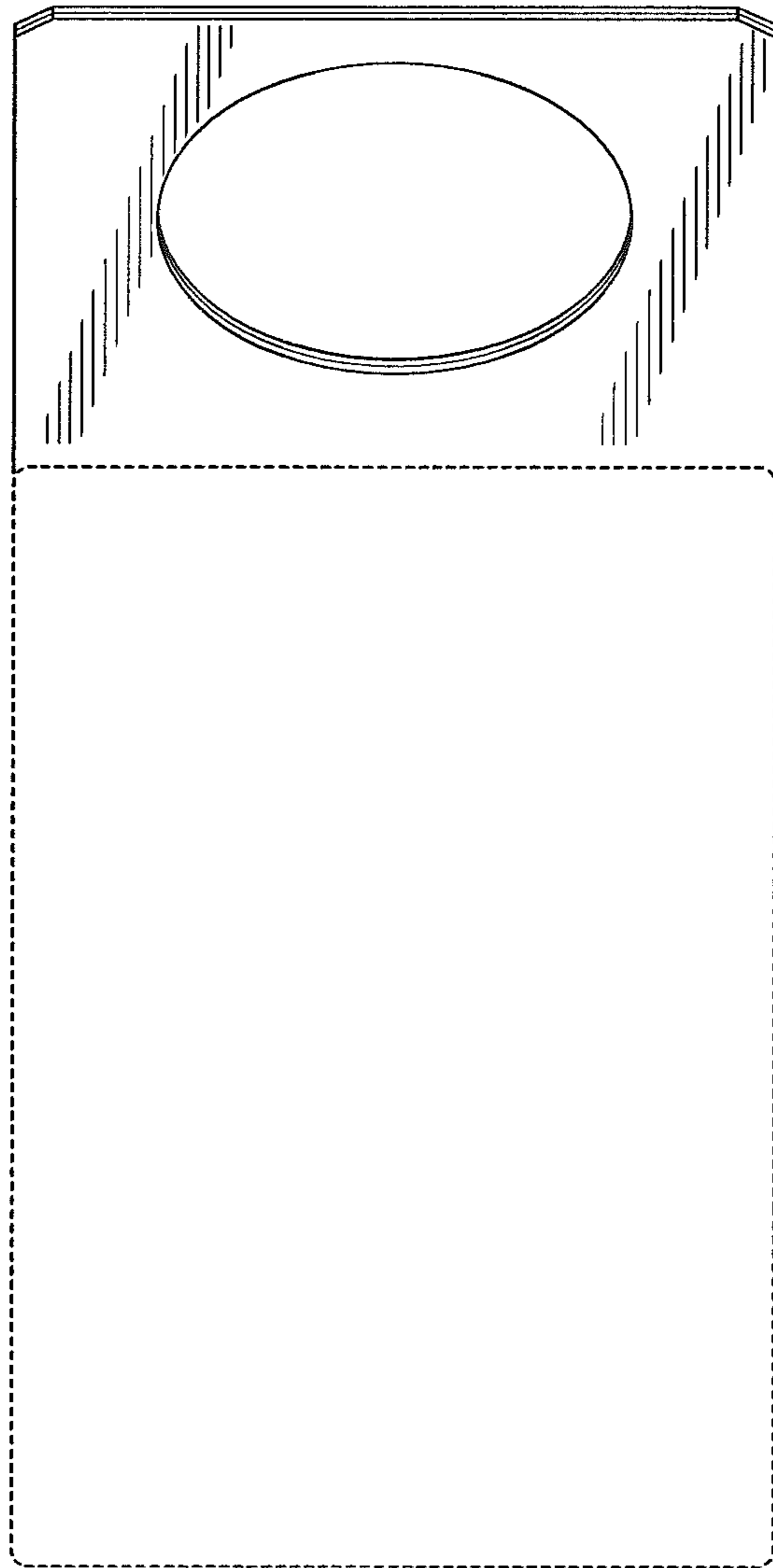


FIG. 6