



US00D744822S

(12) **United States Design Patent**
Piscopo

(10) **Patent No.:** **US D744,822 S**

(45) **Date of Patent:** **** Dec. 8, 2015**

(54) **PROTECTIVE ENCLOSURE FOR
TRANSPORTING AN AUTOMOBILE DOOR**

(71) Applicant: **Gene Piscopo**, Longwood, FL (US)

(72) Inventor: **Gene Piscopo**, Longwood, FL (US)

(73) Assignee: **Panel Armor Products, LLC**,
Longwood, FL (US)

(**) Term: **14 Years**

(21) Appl. No.: **29/504,917**

(22) Filed: **Oct. 10, 2014**

Related U.S. Application Data

(63) Continuation of application No. 14/249,010, filed on
Apr. 9, 2014.

(51) **LOC (10) Cl.** **09-03**

(52) **U.S. Cl.**
USPC **D9/414; D9/415**

(58) **Field of Classification Search**
USPC D9/414, 415, 433, 434, 457, 420, 421,
D9/631, 734, 711, 423; D19/2, 1;
D27/172; 206/822; 229/115, 117.14,
229/197; 426/130

CPC .. B65D 5/2028; B65D 5/302; B65D 5/46096;
B65D 85/76

See application file for complete search history.

(56) **References Cited**

U.S. PATENT DOCUMENTS

D394,387 S * 5/1998 Williams D9/433
D475,916 S * 6/2003 Taylor D9/431
D516,421 S * 3/2006 Girondi D9/431
D526,893 S * 8/2006 Nixon D9/431
D529,815 S * 10/2006 Frasier D9/431

D581,806 S * 12/2008 Marshall D9/631
D596,044 S * 7/2009 Goldman D9/734
D606,858 S * 12/2009 Kesselman D27/172
D618,096 S * 6/2010 Eadicicco D9/434
D623,538 S * 9/2010 Kesselman D9/711
D623,944 S * 9/2010 Levy D9/415
D630,092 S * 1/2011 Roveda D9/431
D645,735 S * 9/2011 Clark D9/423
D653,287 S * 1/2012 Taylor D19/2
D655,153 S * 3/2012 Mitten D9/420
D658,990 S * 5/2012 Specker D9/421
D699,107 S * 2/2014 Streich D9/457
D702,114 S * 4/2014 Smith D9/414
D703,739 S * 4/2014 Pacquette D19/1
D711,253 S * 8/2014 Rathbone D9/433
D715,634 S * 10/2014 Stevens D9/414

* cited by examiner

Primary Examiner — Holly Baynham

Assistant Examiner — Rhea Shields

(74) *Attorney, Agent, or Firm* — Jason T. Daniel, Esq.;
Daniel Law Offices, P.A.

(57) **CLAIM**

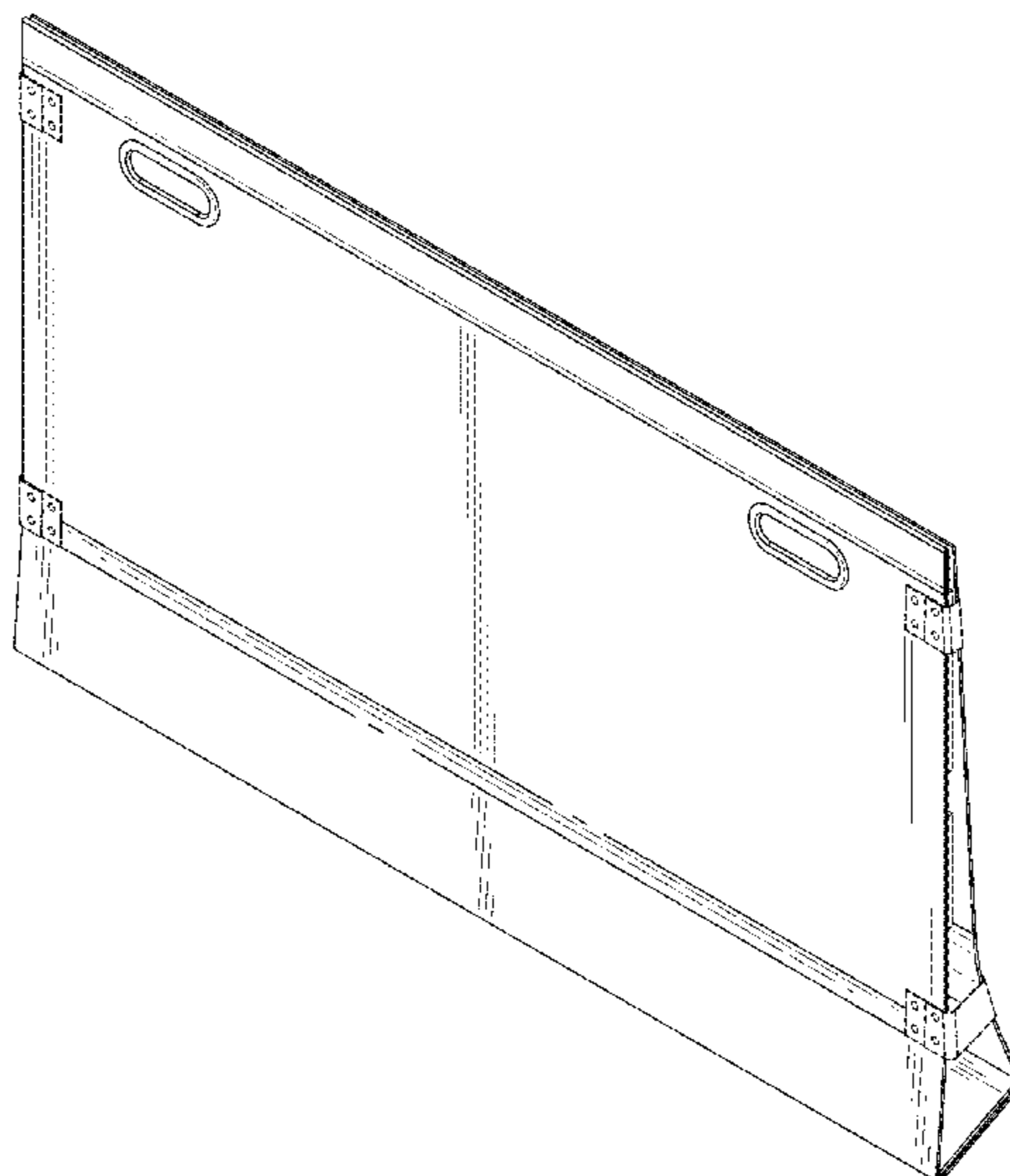
The ornamental design for a protective enclosure for trans-
porting an automobile door, as shown and described.

DESCRIPTION

FIG. 1 is a perspective view of the front side thereof,
FIG. 2 is a perspective view of the back side thereof,
FIG. 3 is a front side view thereof,
FIG. 4 is a back side view thereof,
FIG. 5 is a right side view thereof,
FIG. 6 is a top side view thereof; and,
FIG. 7 is a bottom side view thereof.

In the drawings, the broken lines are for the purpose of illus-
trating environment only and form no part of the claimed
design.

1 Claim, 5 Drawing Sheets



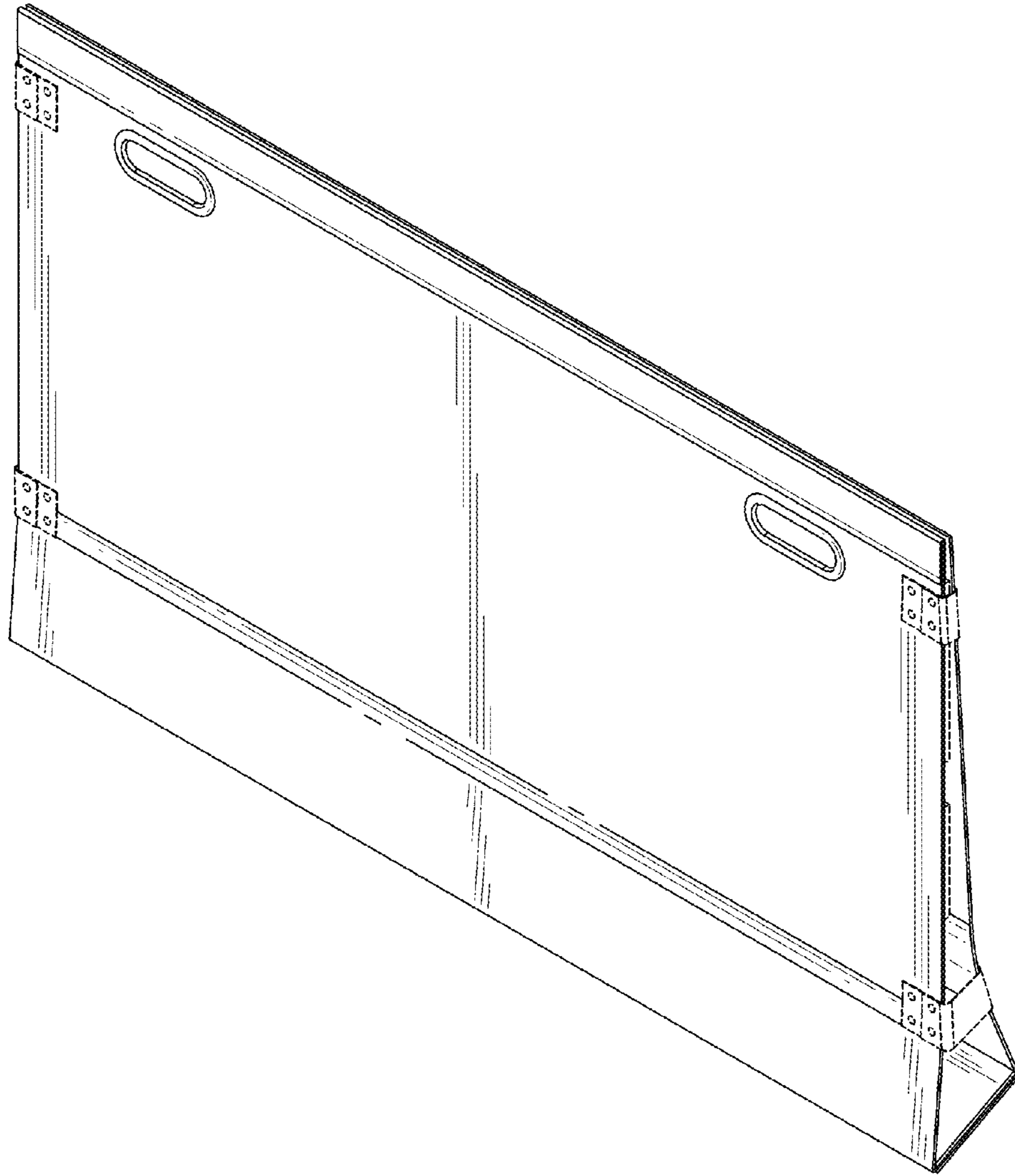


FIG. 1

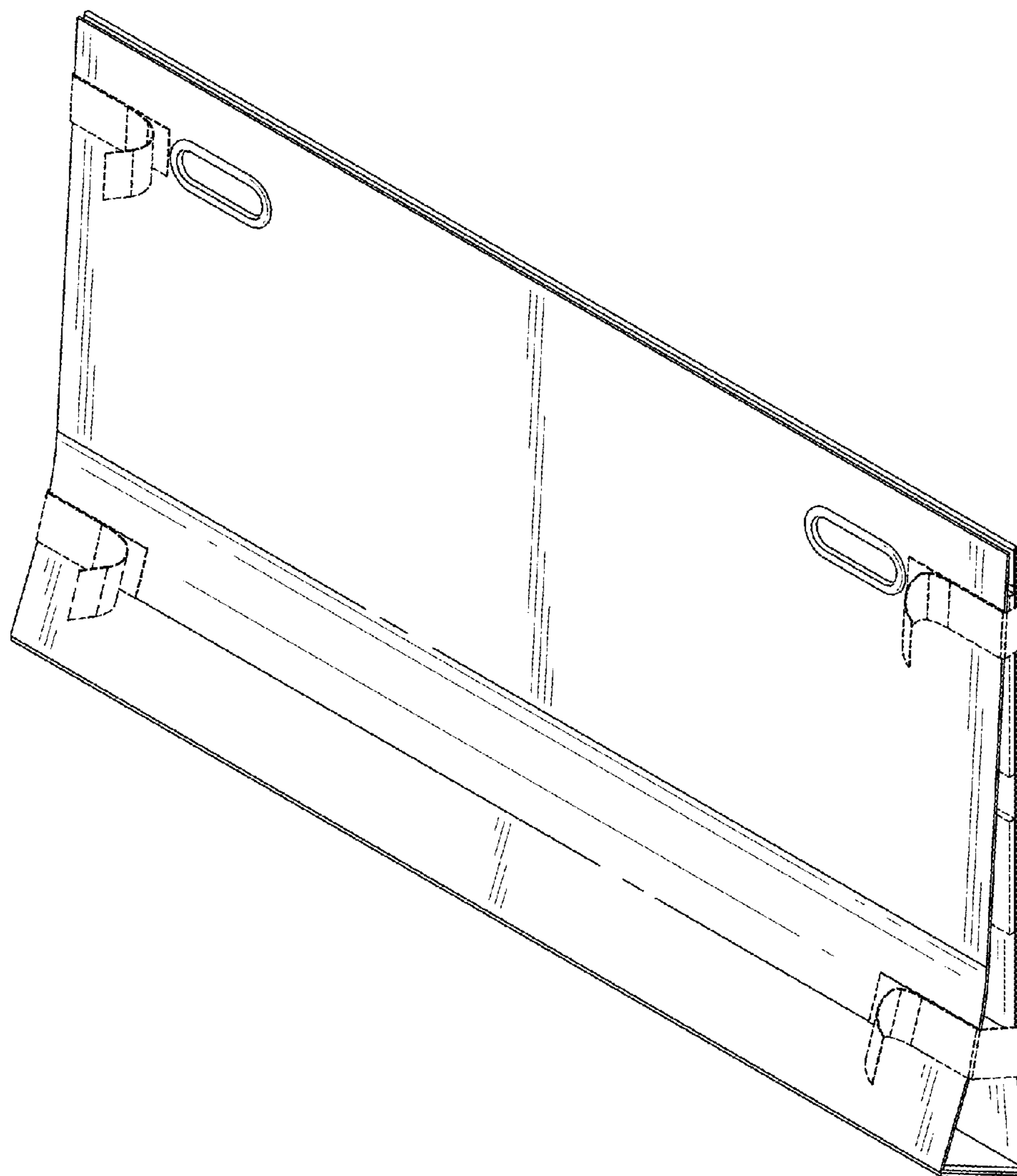


FIG. 2

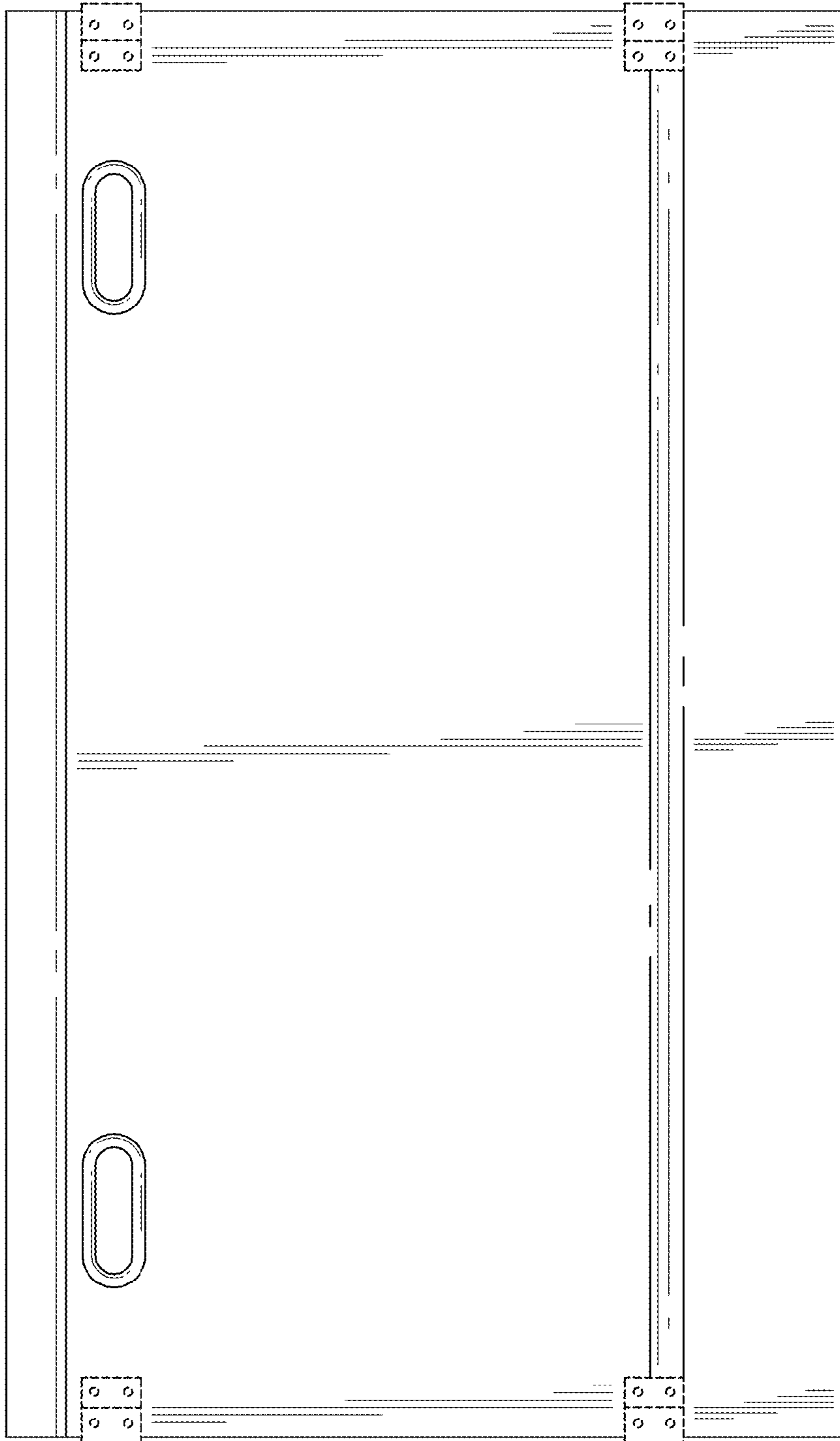


FIG. 3

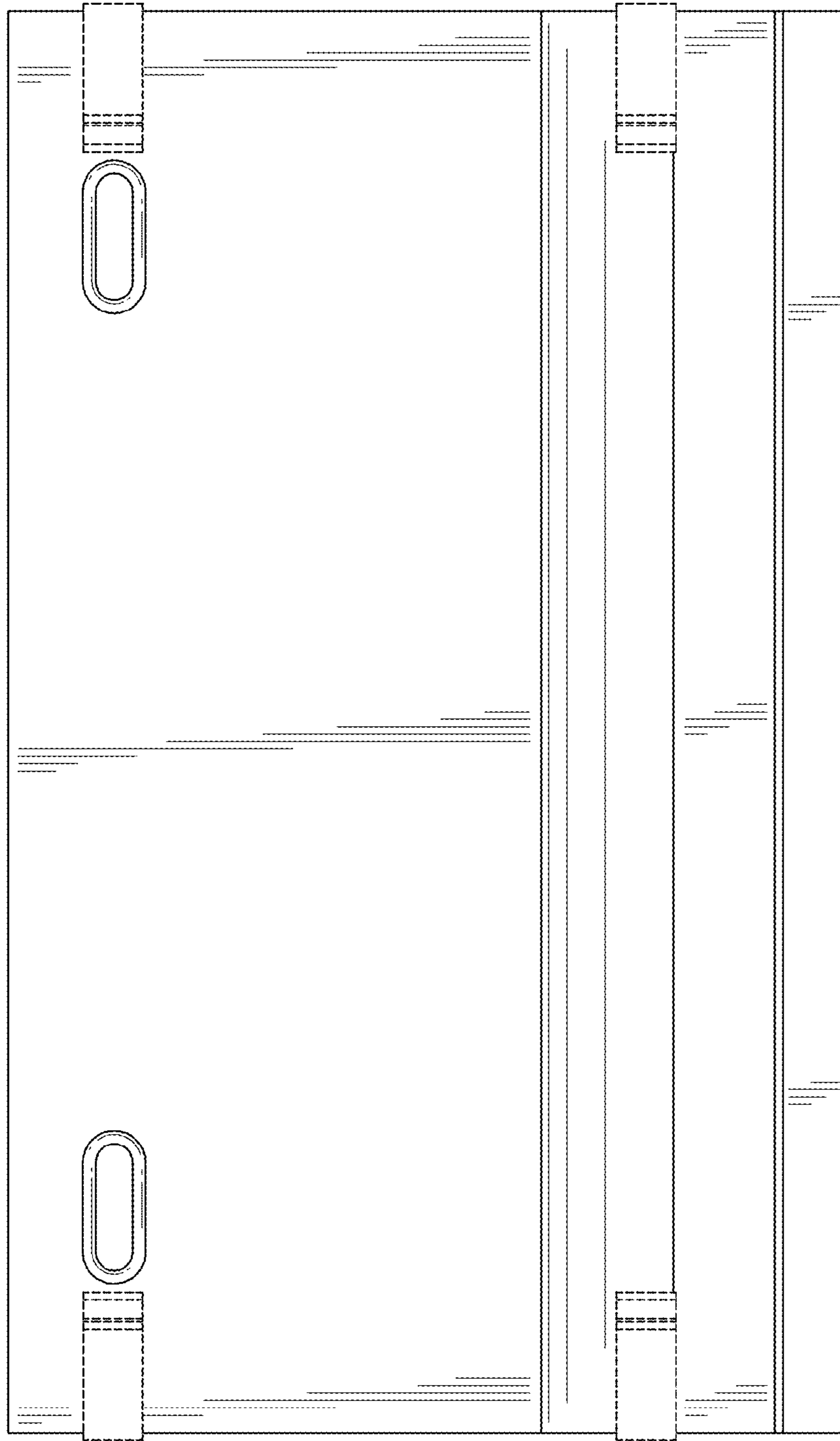


FIG. 4

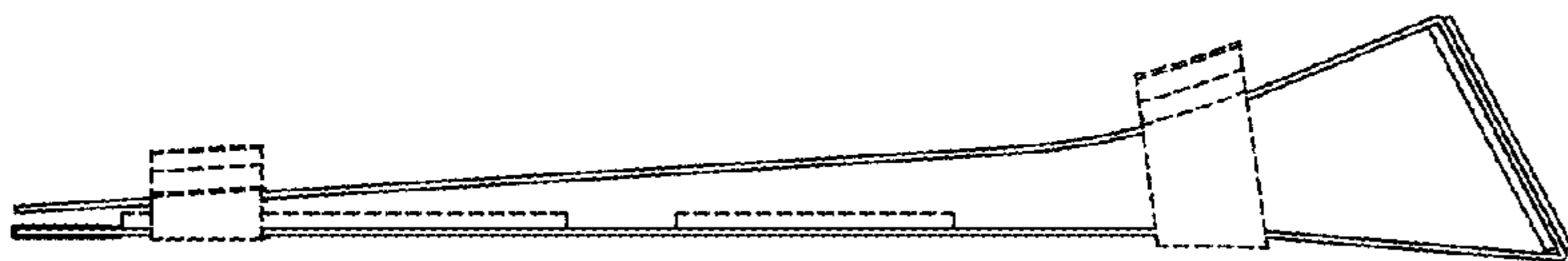


FIG. 5

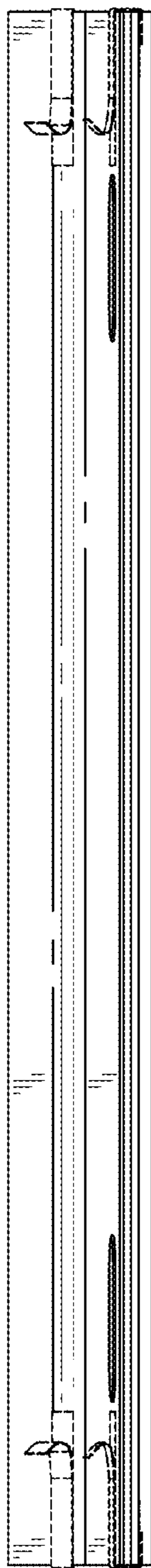


FIG. 6

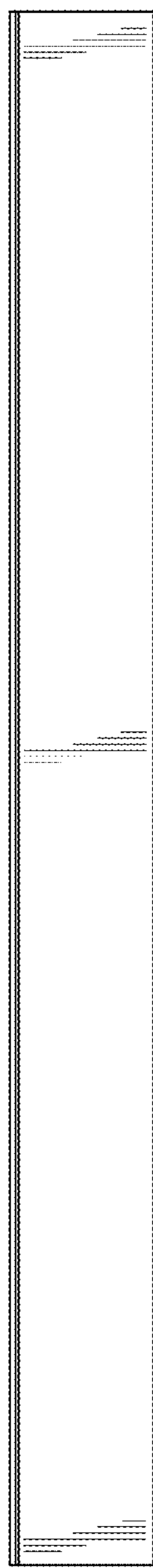


FIG. 7