



US00D744821S

(12) **United States Design Patent**  
**May et al.**

(10) **Patent No.:** **US D744,821 S**  
(45) **Date of Patent:** **\*\* Dec. 8, 2015**

- (54) **HEX LOCKNUT**
- (71) Applicant: **Security Locknut LLC**, Vernon Hills, IL (US)
- (72) Inventors: **David B. May**, Cary, IL (US); **Raymond Thomas Wiltgen**, Deerfield, IL (US)
- (73) Assignee: **Security Locknut LLC**, Vernon Hills, IL (US)
- (\*\*) Term: **14 Years**

D459,207 S *	6/2002	Miyata	.....	D8/397
D482,761 S *	11/2003	Gotoh	.....	D23/233
D487,562 S *	3/2004	Campbell	.....	D8/397
D510,259 S *	10/2005	Yoshimoto	.....	D8/397
D522,853 S *	6/2006	Shirakawa	.....	D8/397
7,240,927 B2 *	7/2007	Chang	.....	F16L 37/091 285/243
D557,132 S *	12/2007	Shinjo	.....	D8/397
D581,777 S *	12/2008	Huang	.....	D8/397
D590,243 S *	4/2009	Bush	.....	D8/397
D612,716 S *	3/2010	Lutz	.....	D8/397
D648,775 S *	11/2011	Rockett	.....	D17/22
D691,033 S *	10/2013	Allman	.....	D8/397

(Continued)

- (21) Appl. No.: **29/524,740**
- (22) Filed: **Apr. 23, 2015**
- (51) **LOC (10) Cl.** ..... **08-08**
- (52) **U.S. Cl.**  
USPC ..... **D8/397**
- (58) **Field of Classification Search**  
USPC ..... D8/397, 394, 382, 349, 312, 107, 399;  
D11/222; D2/869  
CPC ..... F16L 19/0206; B60B 3/16; B60B 29/00;  
F16B 39/26; F16B 39/24; F16B 37/02;  
F16B 31/02; H01R 9/0524  
See application file for complete search history.

*Primary Examiner* — Cynthia Underwood  
(74) *Attorney, Agent, or Firm* — Adam K. Sacharoff; Much Shelist

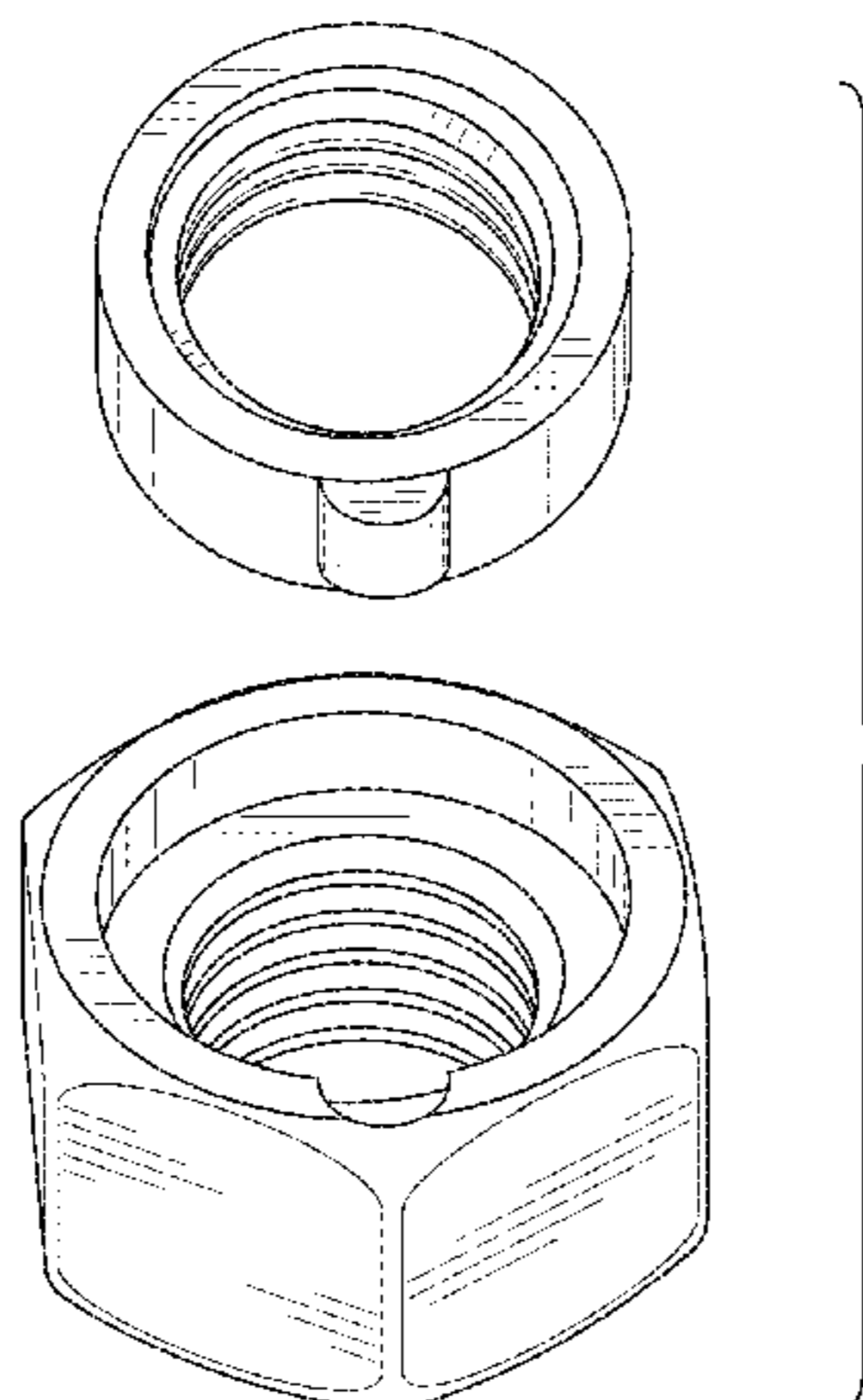
(57) **CLAIM**  
The ornamental design for a hex locknut, as shown and described.

**DESCRIPTION**

FIG. 1 is a front perspective view showing the new design in its component parts;  
FIG. 2 is a front side view of FIG. 1;  
FIG. 3 is a rear side view of FIG. 1;  
FIG. 4 is a right side view of FIG. 1;  
FIG. 5 is a left side view of FIG. 1;  
FIG. 6 is a top side view of FIG. 1;  
FIG. 7 is a bottom side view of FIG. 1;  
FIG. 8 is a underside front perspective view of FIG. 1;  
FIG. 9 is a front perspective view showing the new design illustrated in an assembled form;  
FIG. 10 is a front side view of FIG. 9;  
FIG. 11 is a rear side view of FIG. 9;  
FIG. 12 is a right side view of FIG. 9;  
FIG. 13 is a left side view of FIG. 9;  
FIG. 14 is a top side view of FIG. 9;  
FIG. 15 is a bottom side view of FIG. 9; and,  
FIG. 16 is a underside front perspective view of FIG. 9.

- (56) **References Cited**  
U.S. PATENT DOCUMENTS
- D140,317 S \* 2/1945 Allen ..... D8/397
- 3,269,250 A \* 8/1966 Curtiss ..... F16B 23/0023  
411/410
- D208,429 S \* 8/1967 Holliday ..... D8/385
- 3,501,995 A \* 3/1970 Lanius, Jr ..... F16B 37/002  
408/223
- 3,511,118 A \* 5/1970 Mitchell ..... F16B 23/00  
411/401
- 3,522,830 A \* 8/1970 Blizard ..... F16B 39/34  
411/303
- 4,322,195 A \* 3/1982 Rebish ..... F16B 37/14  
411/431
- D268,565 S \* 4/1983 Mortus ..... D8/397
- 6,071,052 A \* 6/2000 Kerr ..... F16B 39/34  
411/247

**1 Claim, 7 Drawing Sheets**



# US D744,821 S

Page 2

---

(56)

## References Cited

### U.S. PATENT DOCUMENTS

D713,705 S *	9/2014	Mina .....	D8/397
D713,714 S *	9/2014	Kishida .....	D8/397
D735,567 S *	8/2015	Kishida .....	D8/387
D706,126 S *	6/2014	Orow .....	D8/397

\* cited by examiner

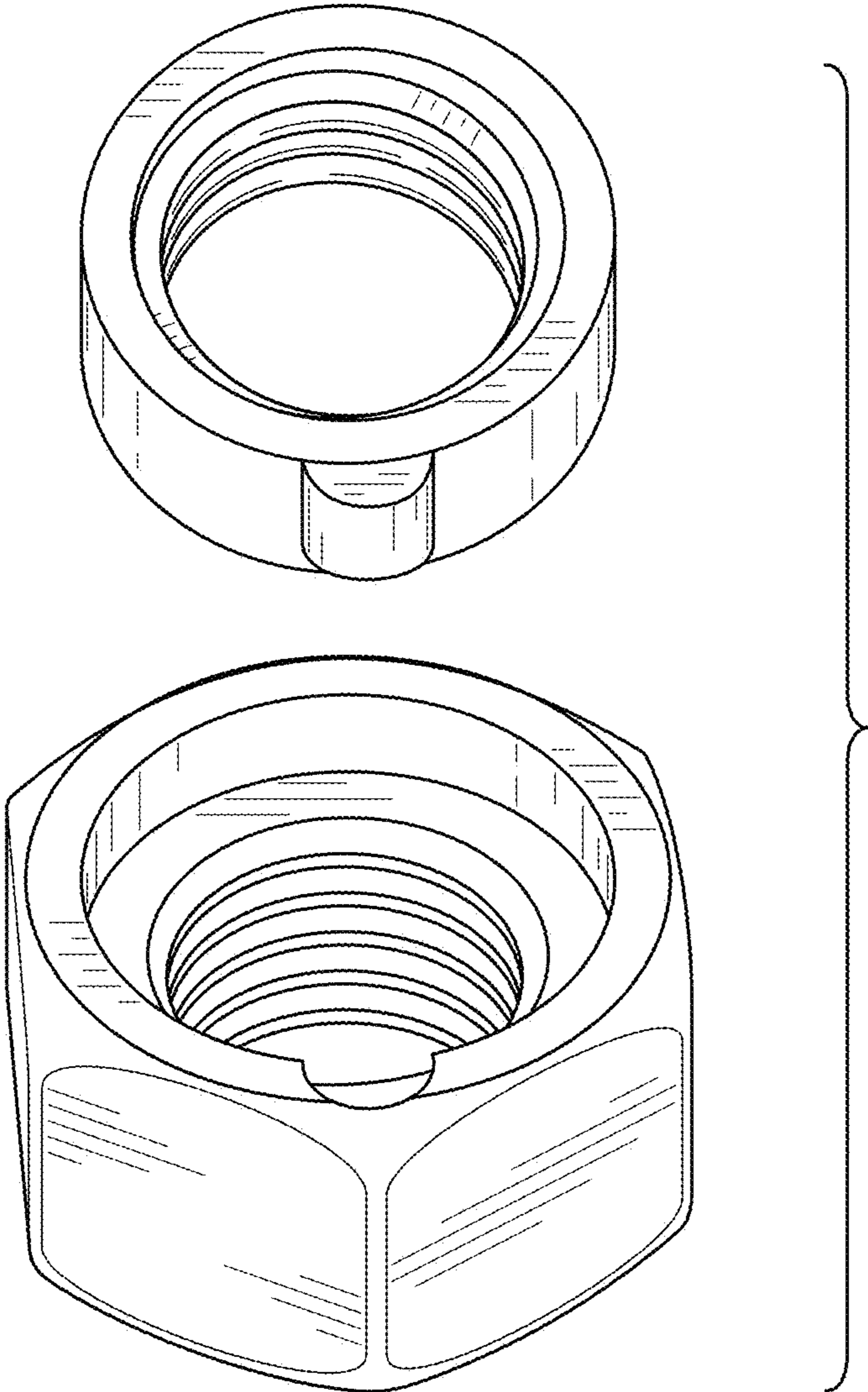


FIG. 1

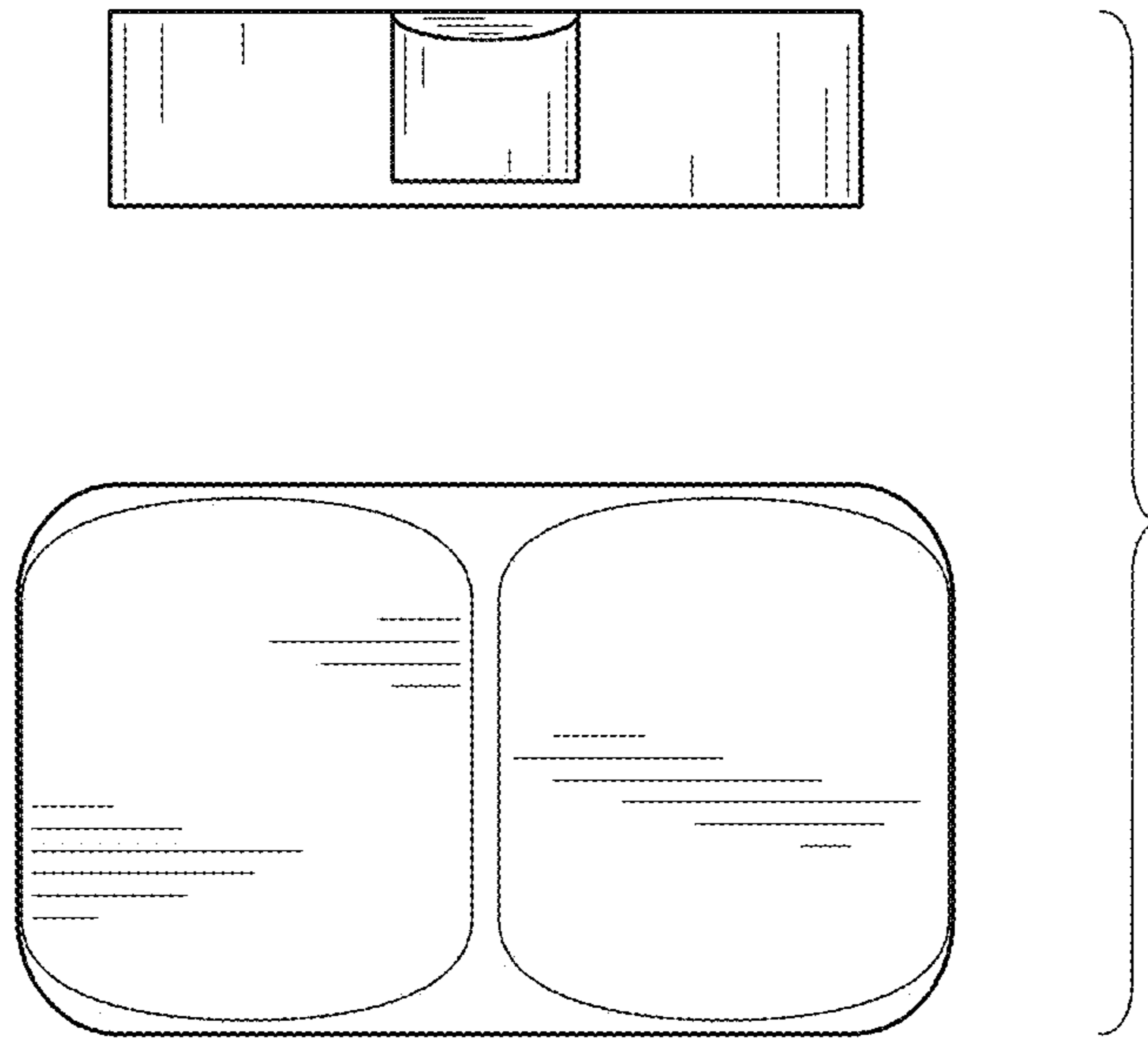


FIG. 2

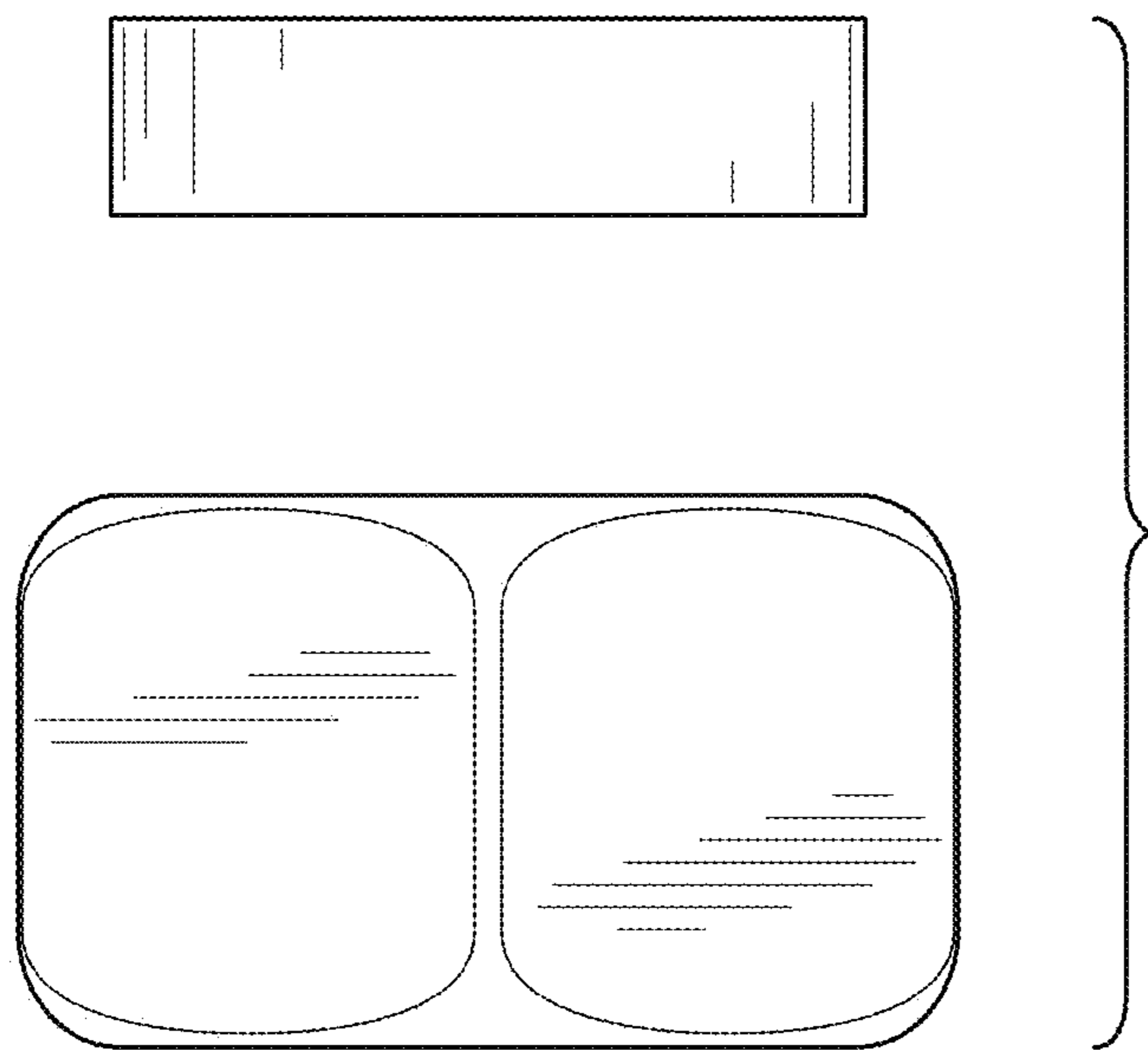


FIG. 3

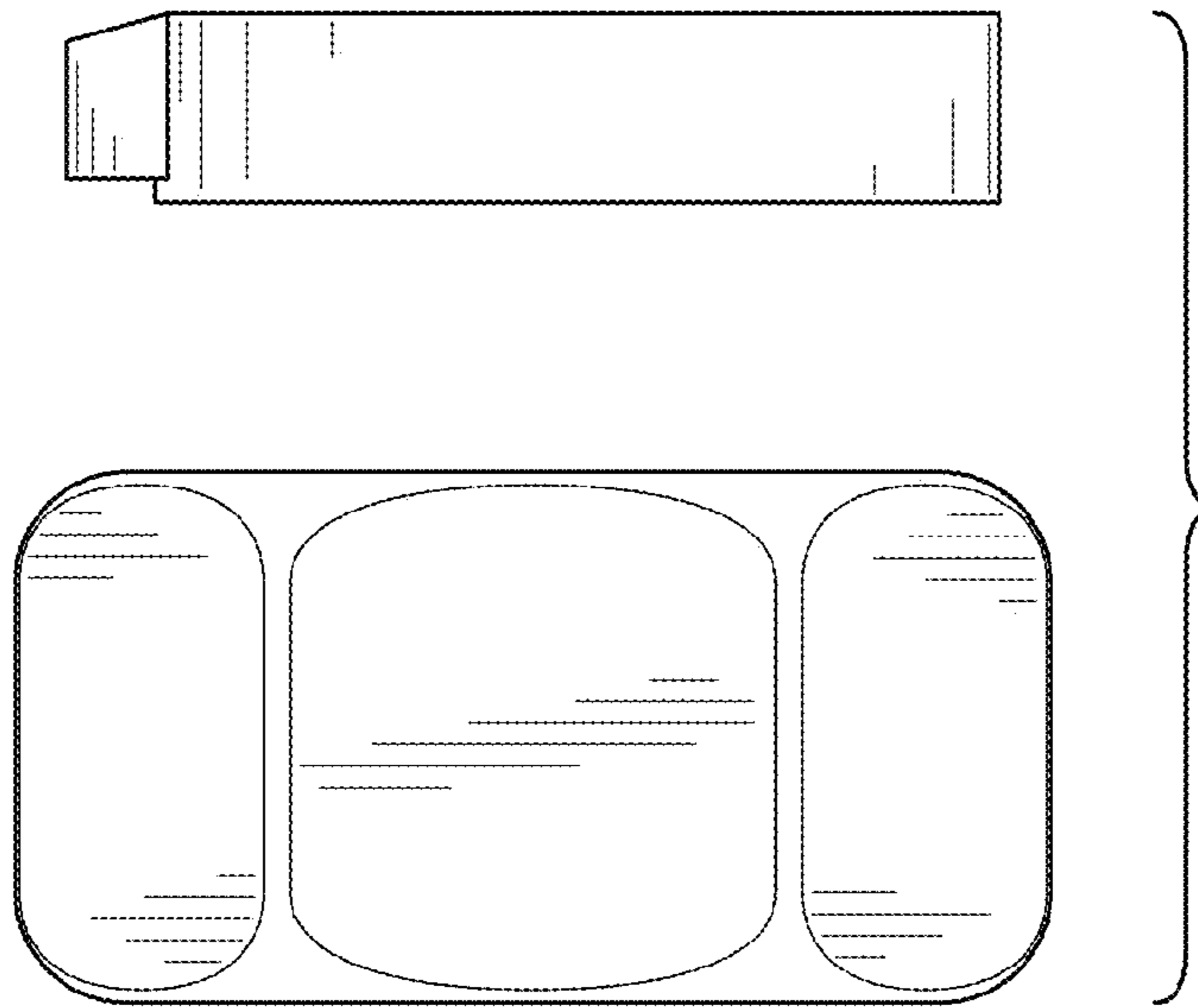


FIG. 4

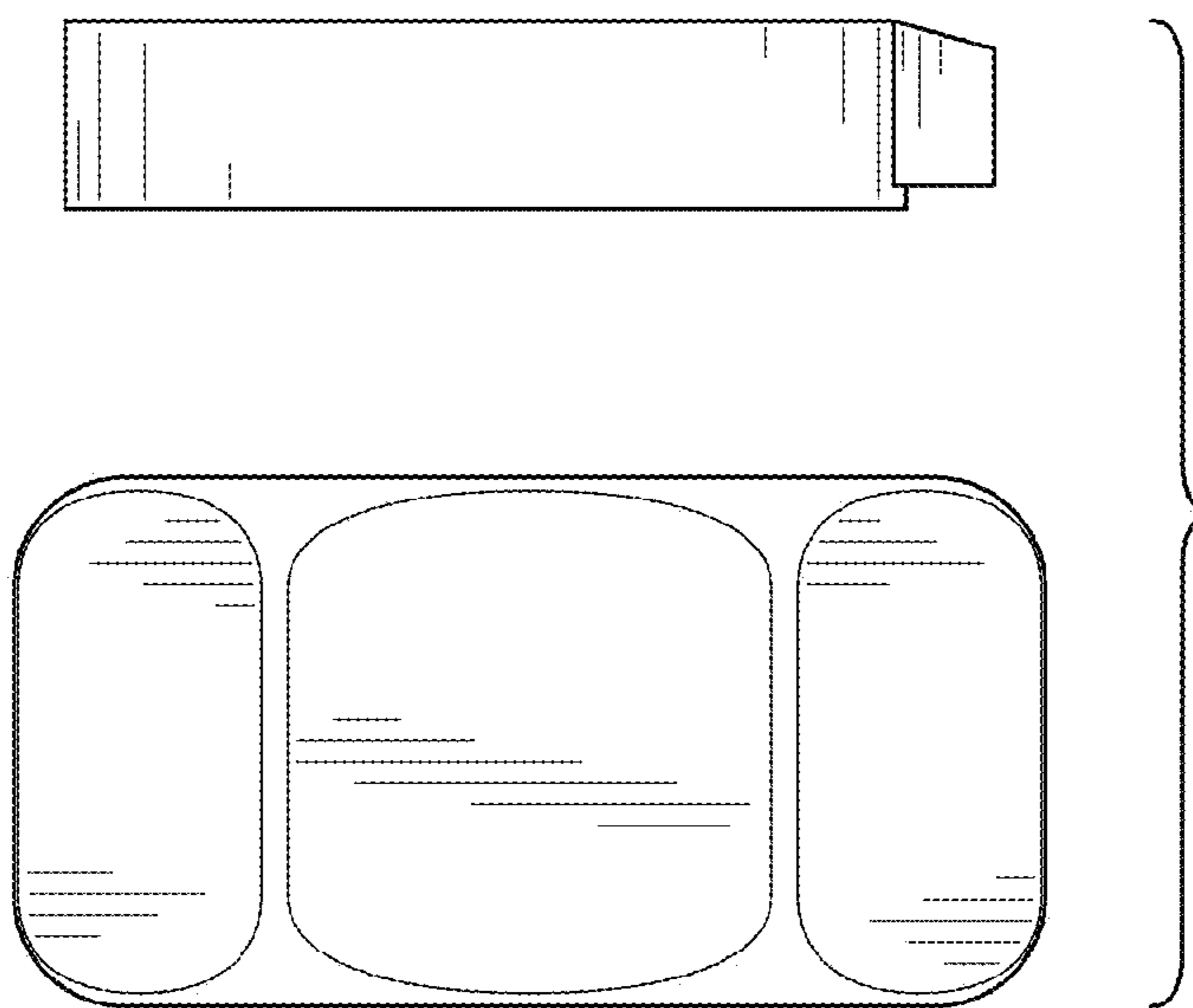


FIG. 5

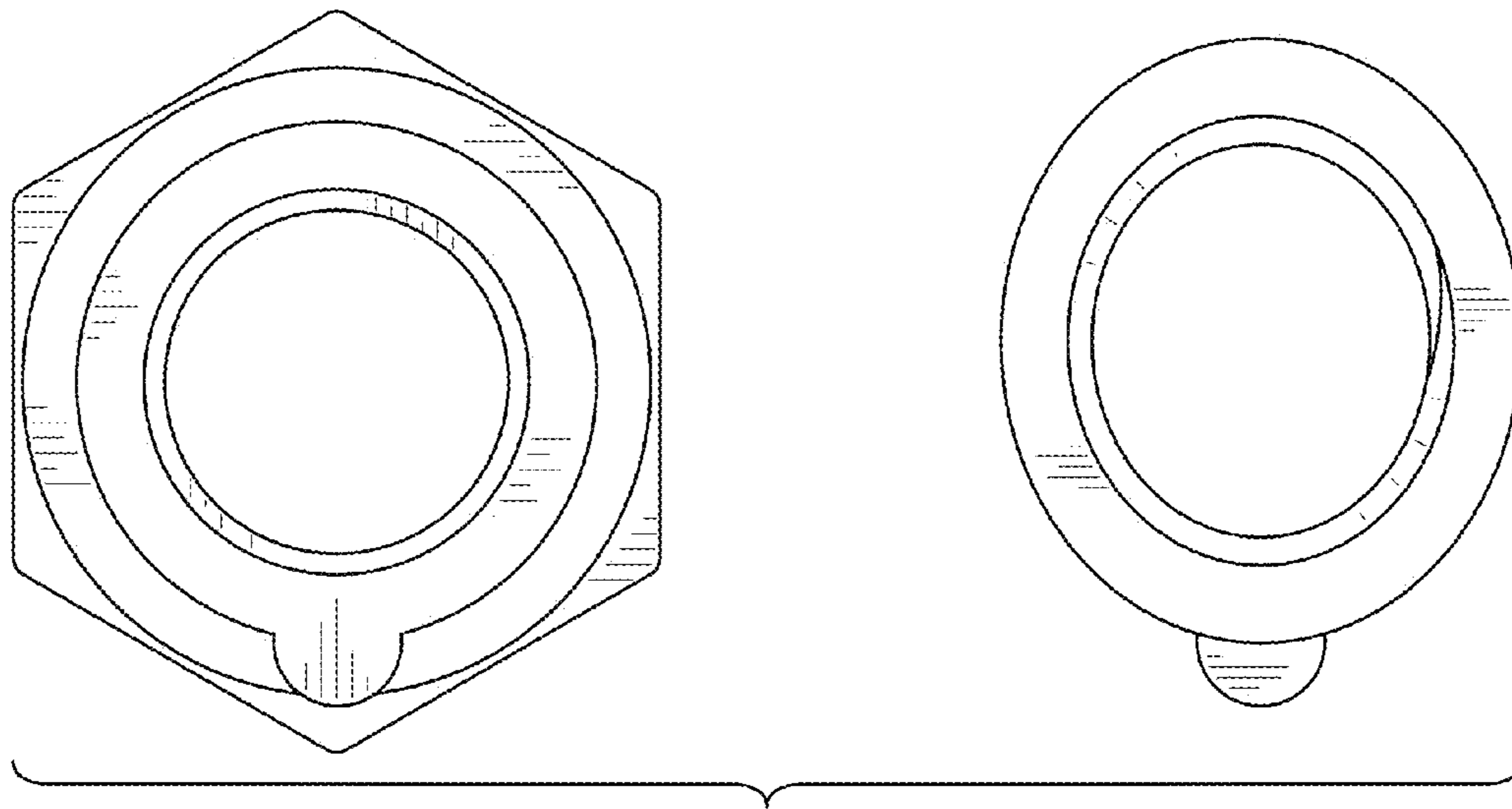


FIG. 6

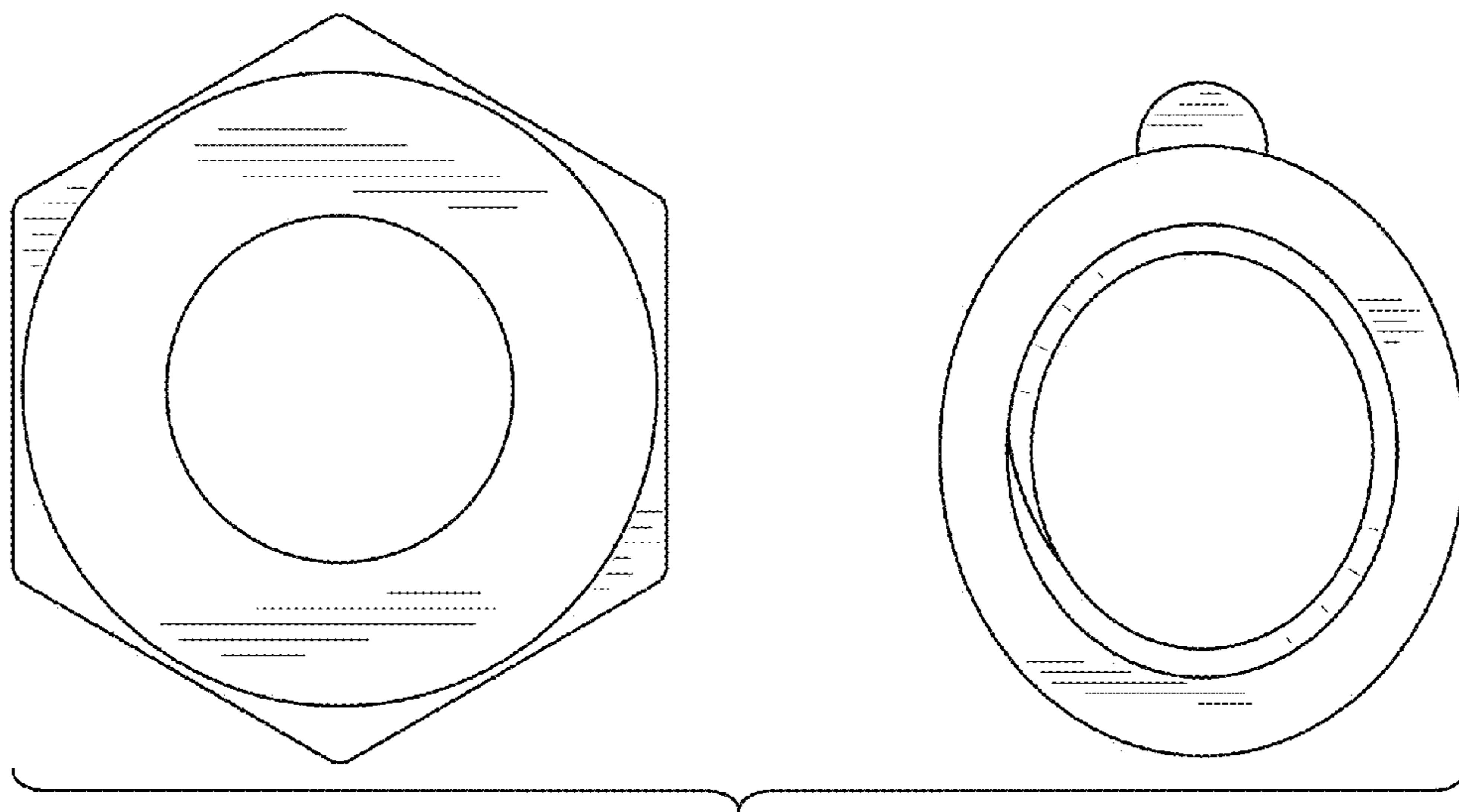


FIG. 7

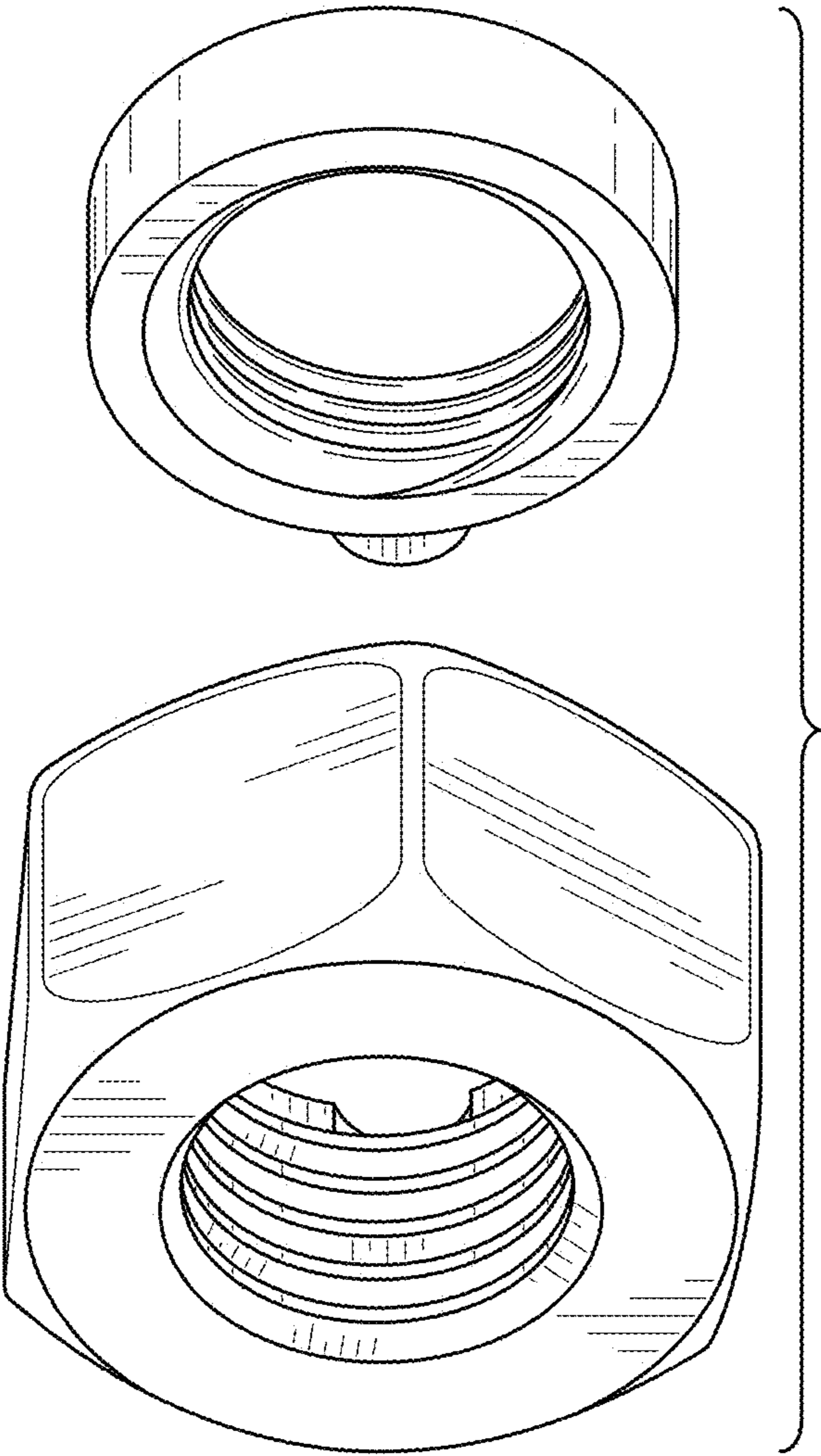


FIG. 8

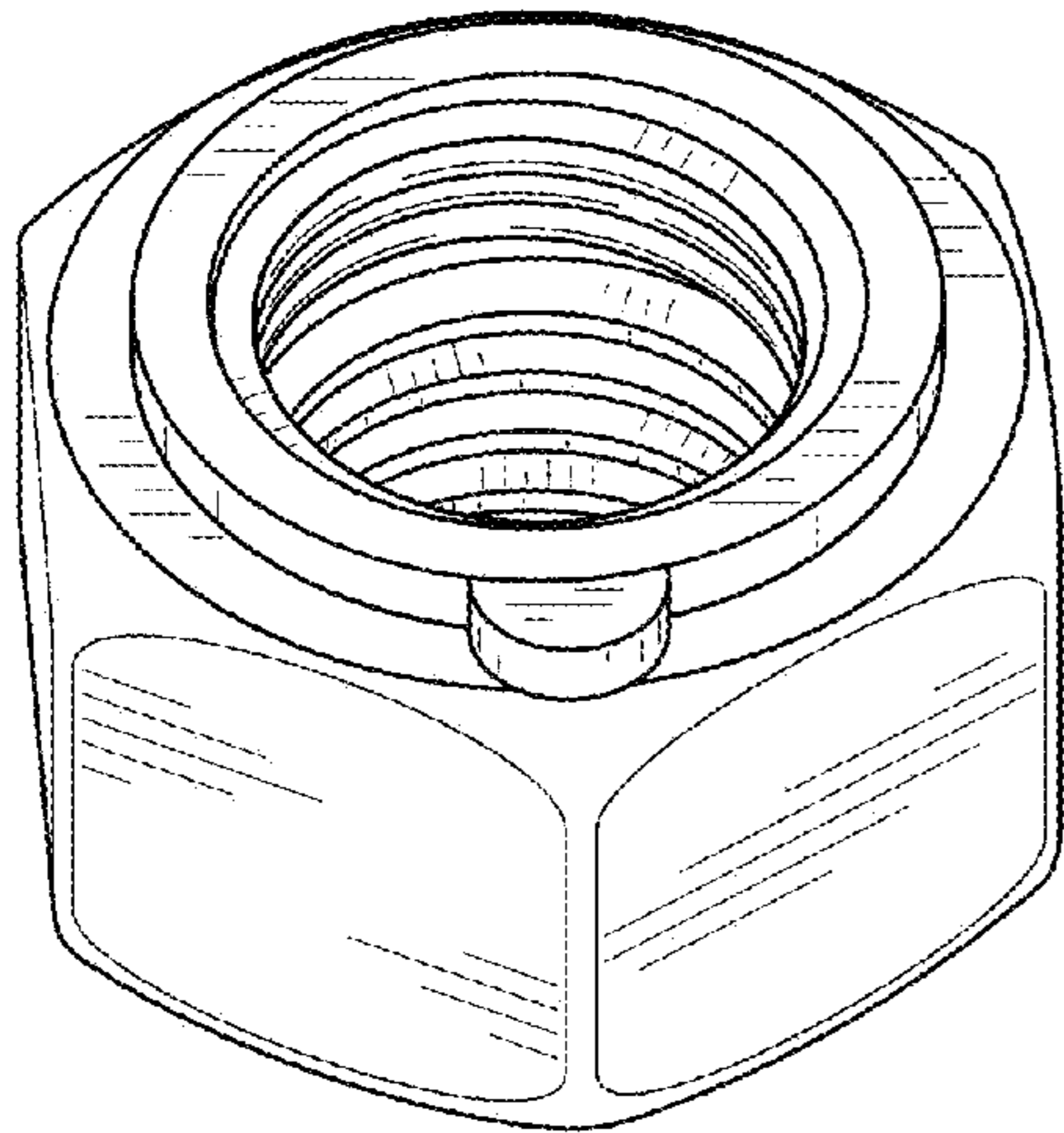


FIG. 9

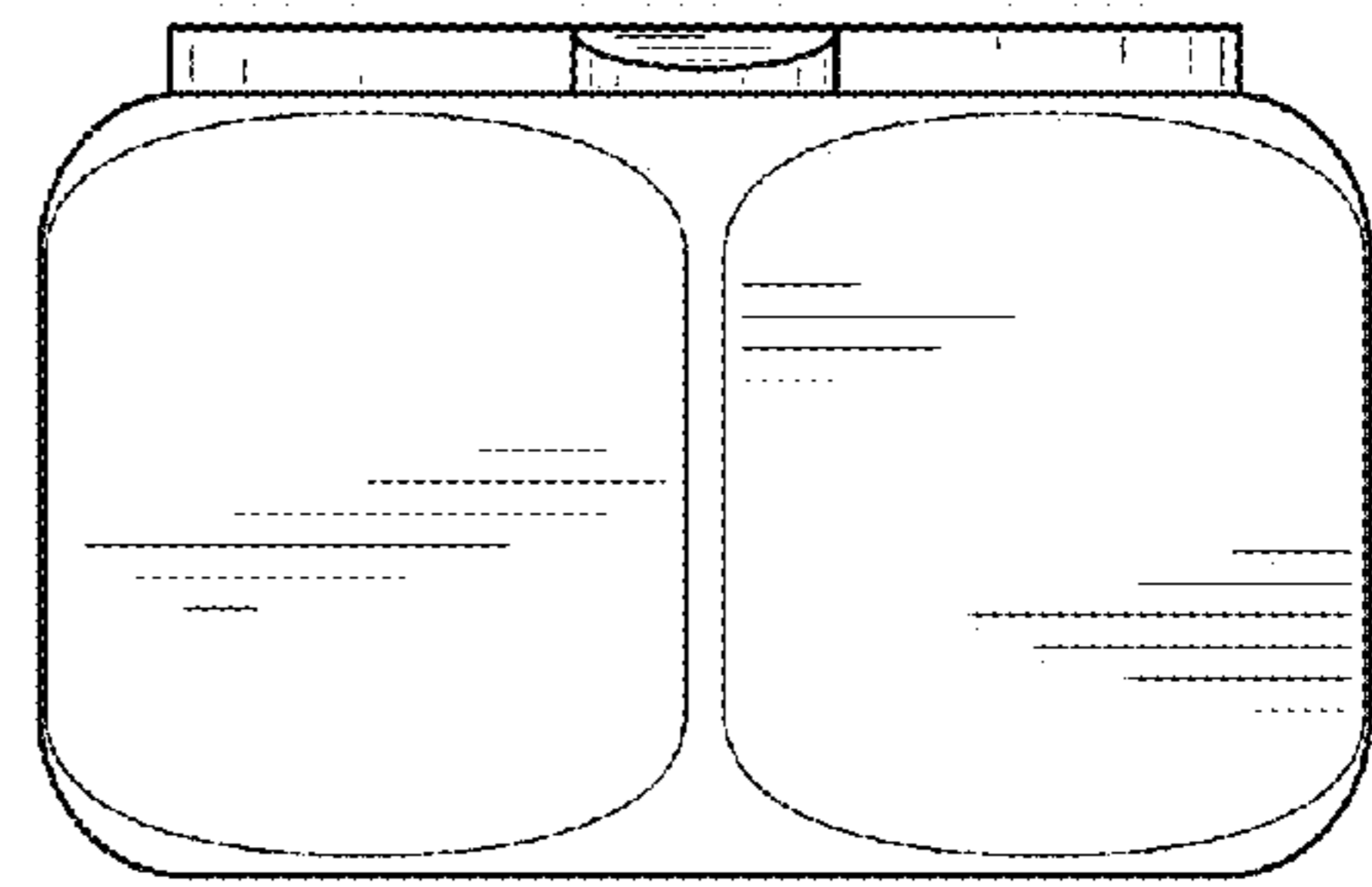


FIG. 10

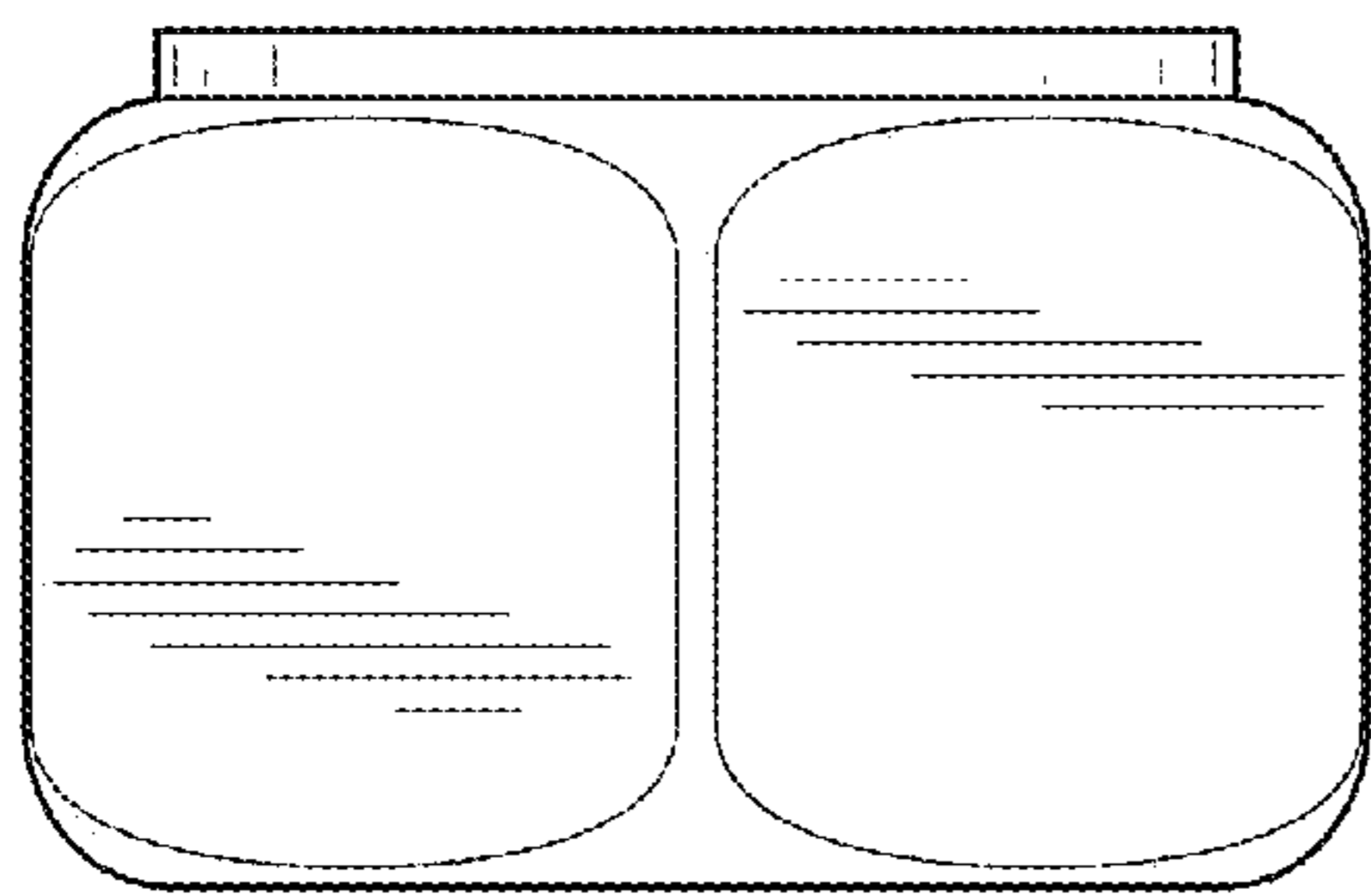


FIG. 11

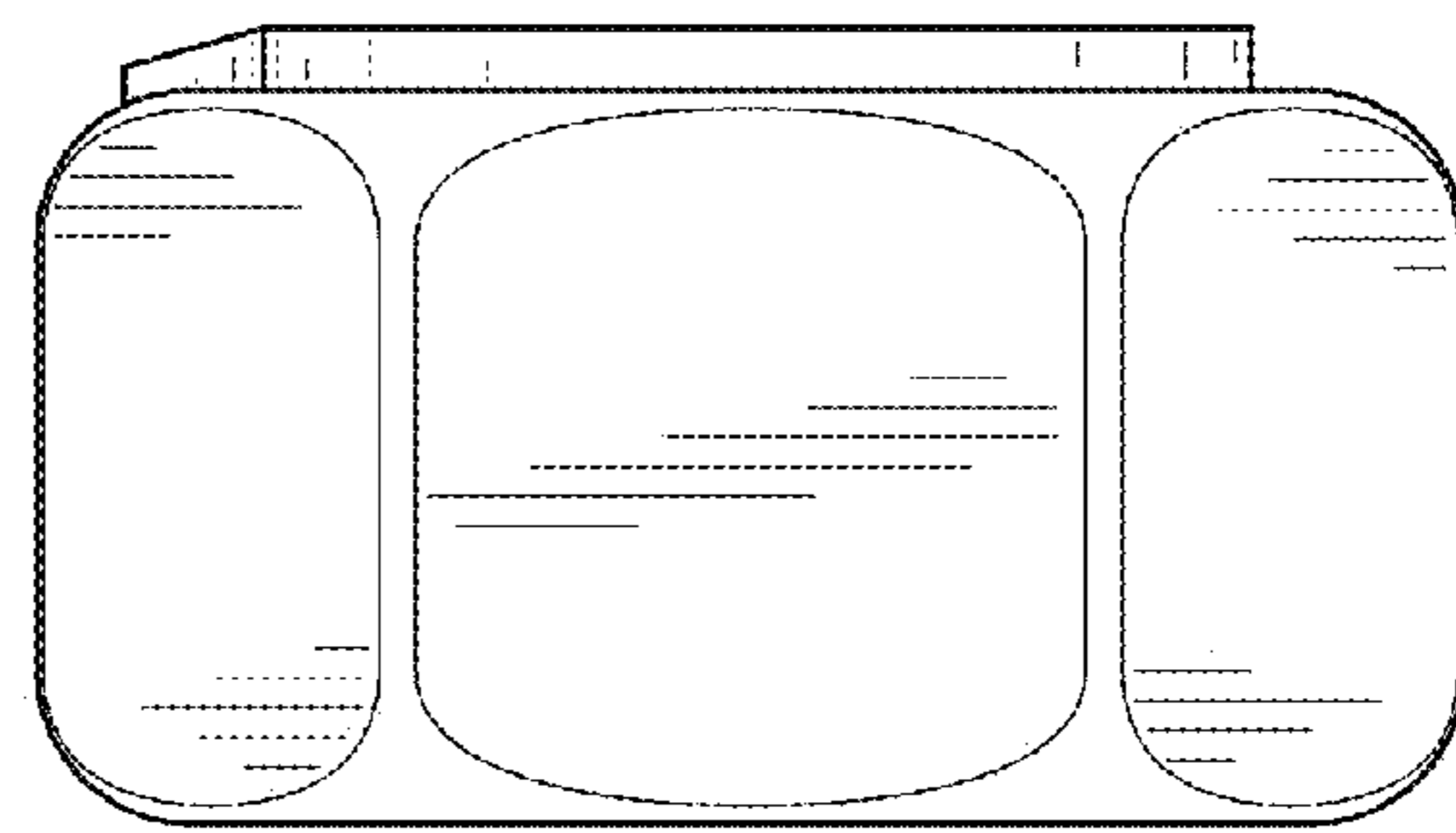


FIG. 12



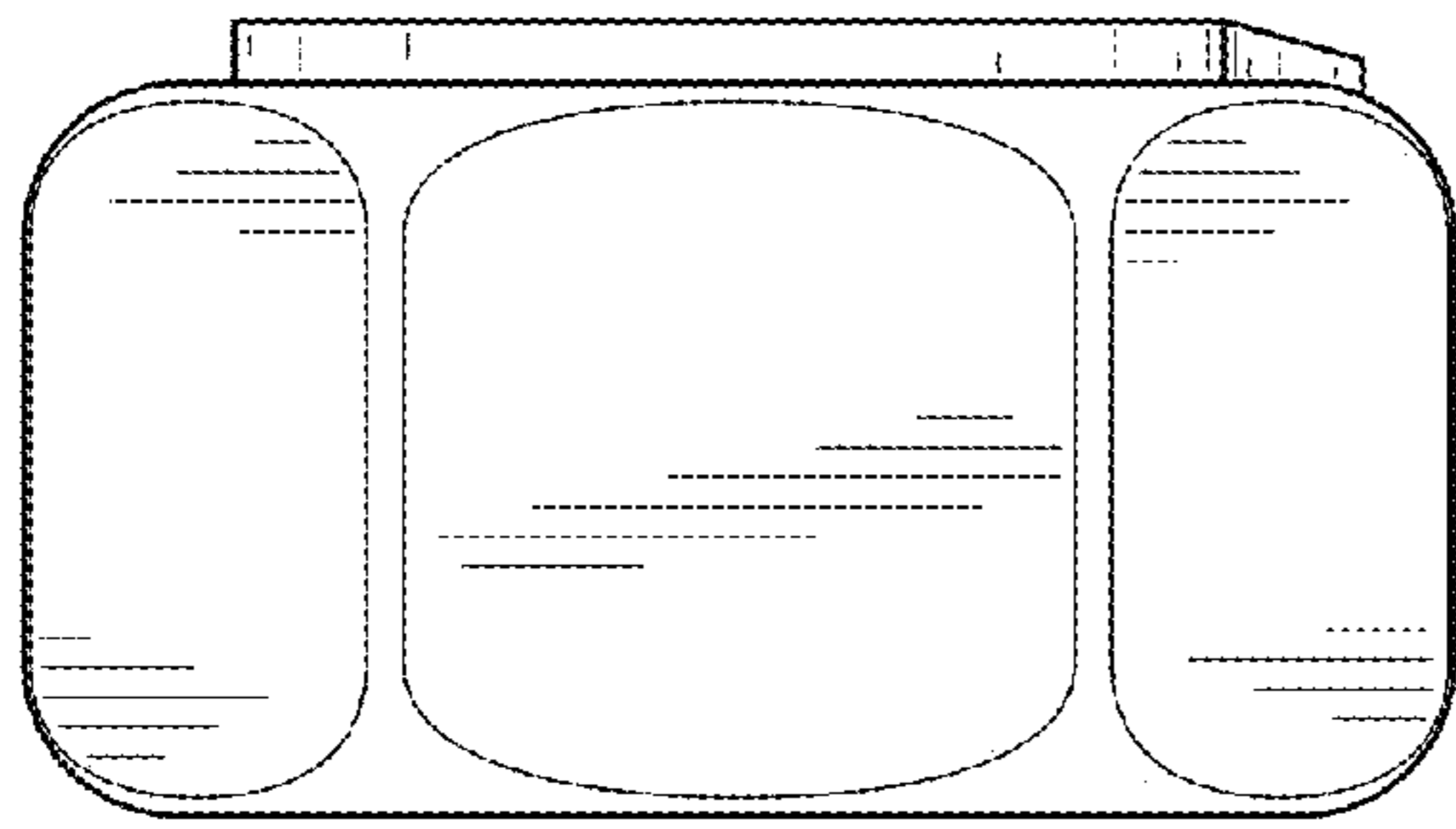


FIG. 13

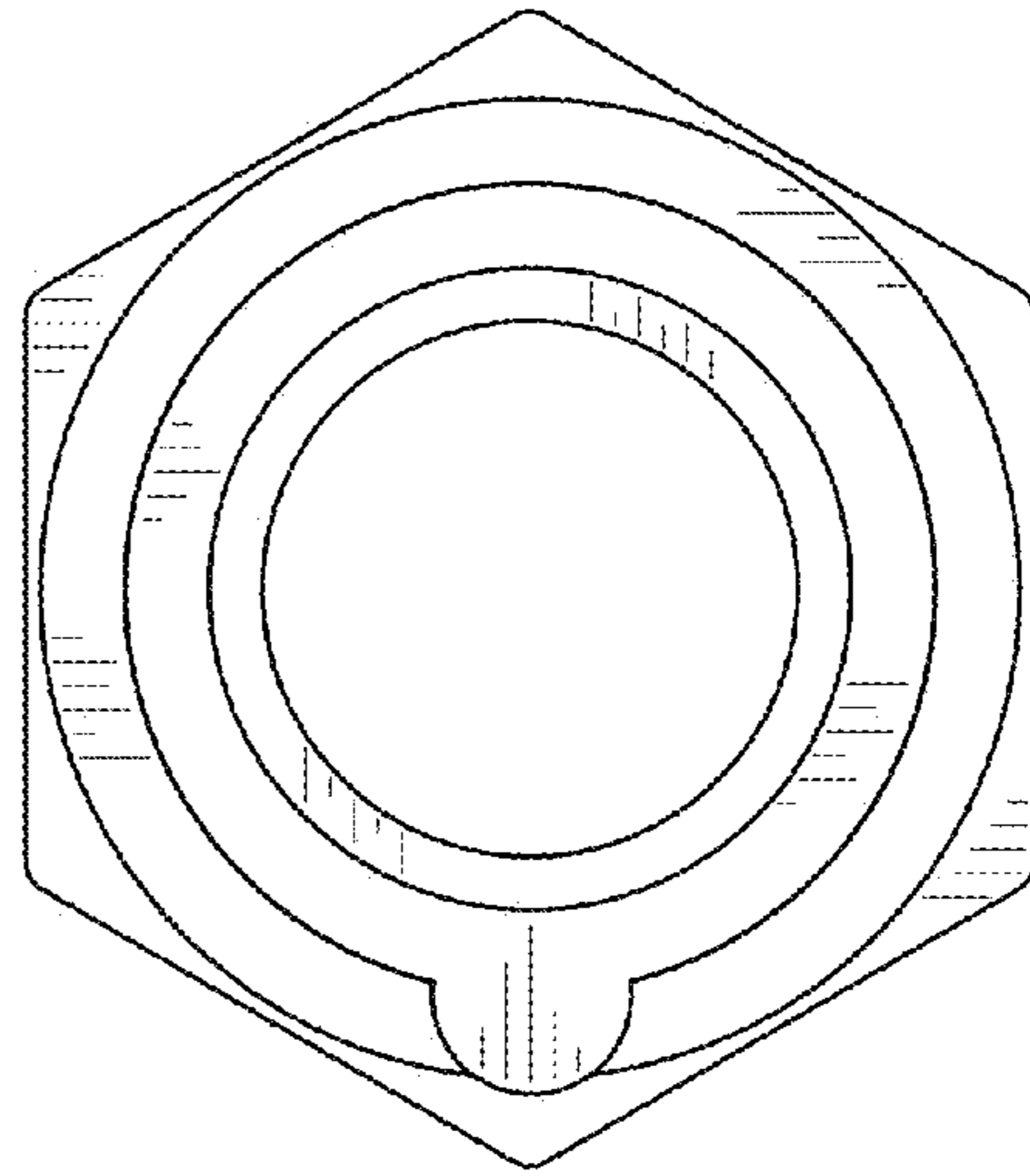


FIG. 14

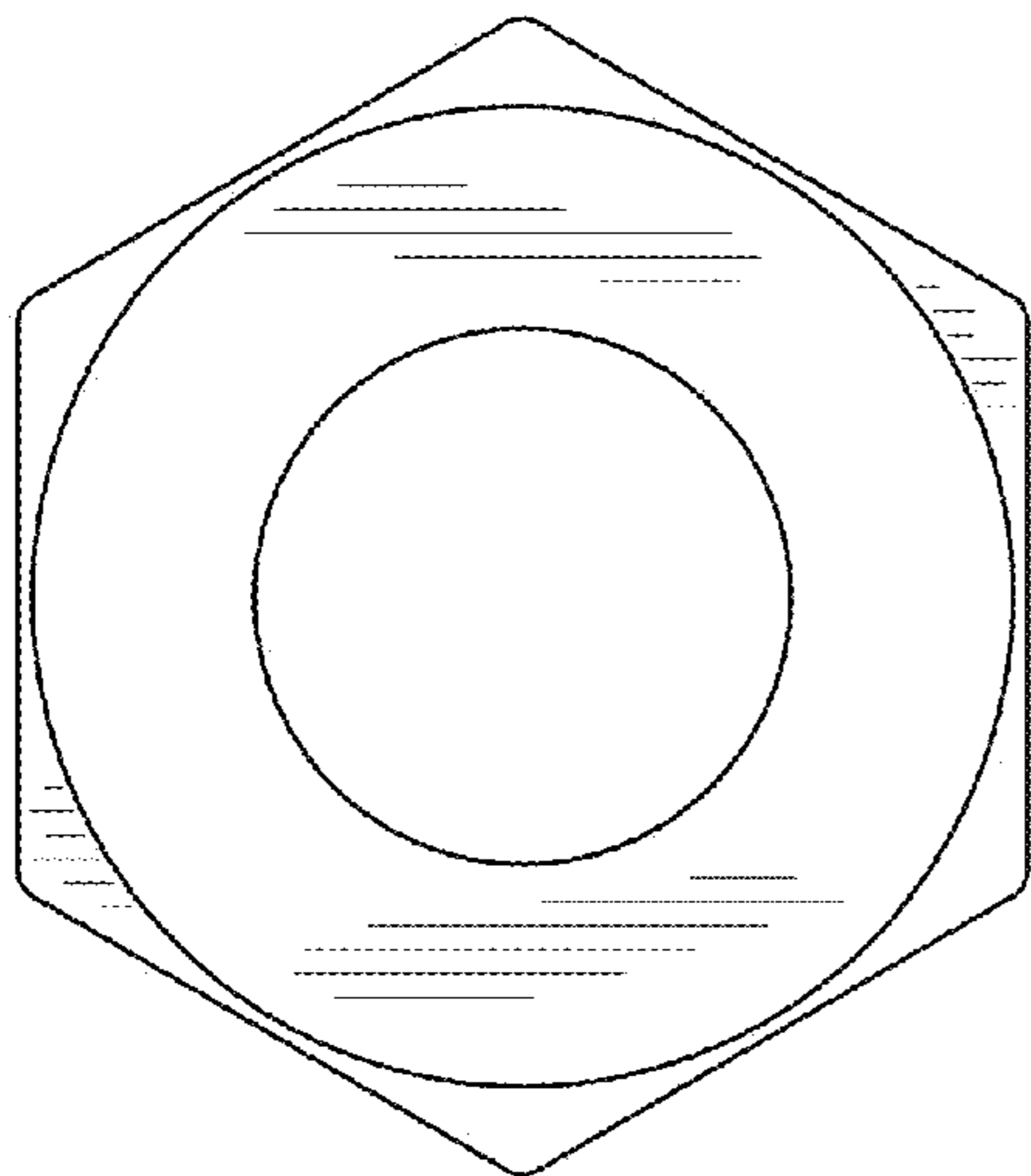


FIG. 15

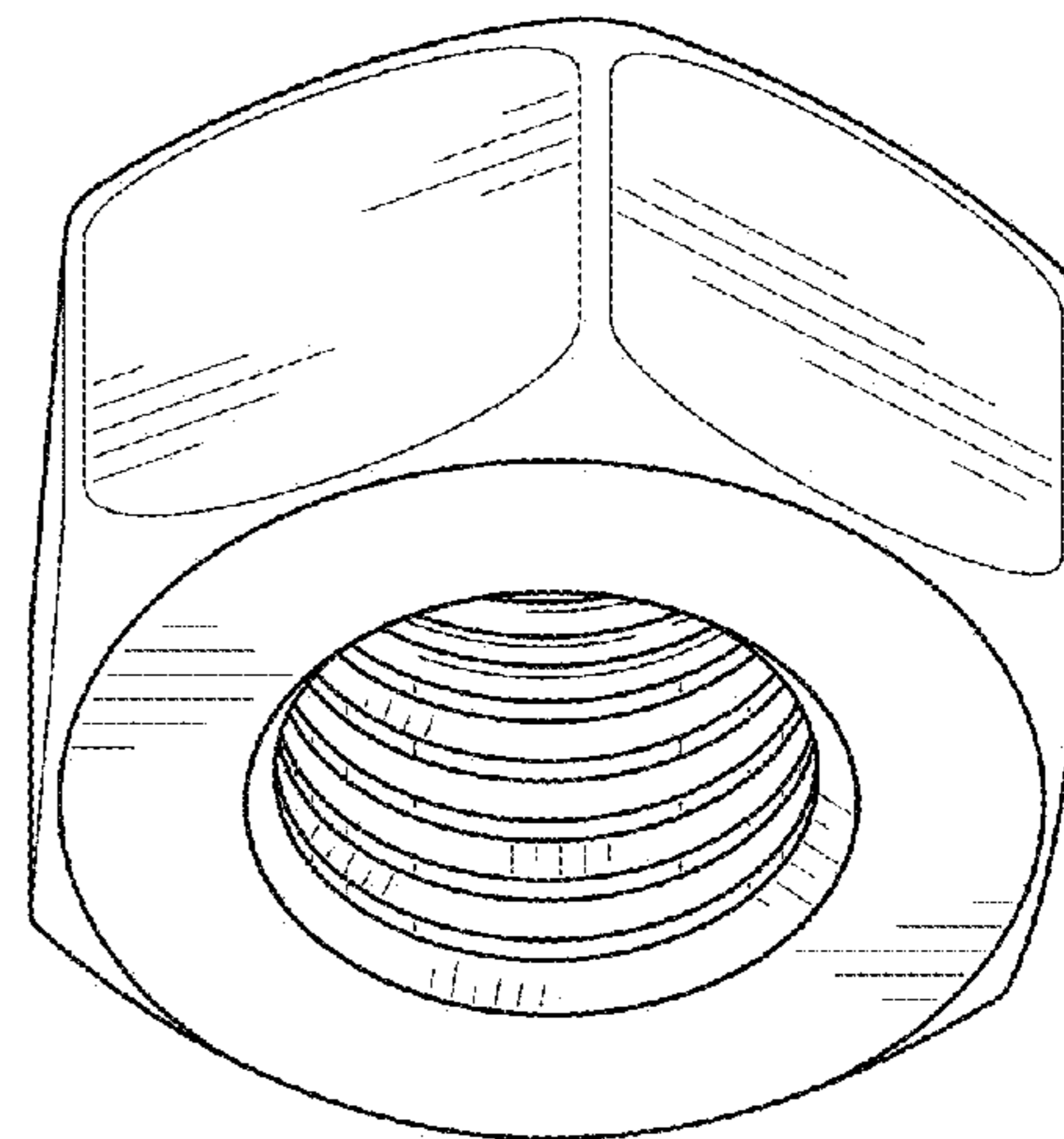


FIG. 16