



US00D744818S

(12) **United States Design Patent**
Matsuo et al.

(10) **Patent No.:** **US D744,818 S**
(45) **Date of Patent:** **** Dec. 8, 2015**

(54) **CONNECTOR FOR SPIRAL HANGER**

Primary Examiner — Eric Goodman

Assistant Examiner — Bao-Yen Nguyen

(71) Applicant: **HIEN ELECTRIC INDUSTRIES, LTD.**, Osaka-shi, Osaka (JP)

(74) *Attorney, Agent, or Firm* — Westerman, Hattori, Daniels & Adrian, LLP

(72) Inventors: **Kazuhisa Matsuo**, Osaka (JP); **Shinya Takeda**, Osaka (JP)

(73) Assignee: **HIEN ELECTRIC INDUSTRIES, LTD.**, Osaka (JP)

(57) **CLAIM**

The ornamental design for a connector for spiral hanger, as shown and described.

(**) Term: **14 Years**

DESCRIPTION

(21) Appl. No.: **29/477,555**

(22) Filed: **Dec. 23, 2013**

(51) **LOC (10) Cl.** **08-05**

(52) **U.S. Cl.**
USPC **D8/382**

(58) **Field of Classification Search**
USPC D8/349, 350, 353, 354, 355, 356, 359,
D8/366, 367, 373, 374, 381, 382, 383, 384,
D8/385, 386; D13/110, 133, 146, 147, 154
CPC . H02J 1/00; H02J 2001/006; H02J 2001/008;
H02G 1/00; H02G 1/04; H01R 9/0503;
H01R 13/6464; H01R 9/0518; H01R 25/00;
H01R 12/63; H01R 36/06

See application file for complete search history.

FIG. 1 is an upper, front and right side perspective view of a connector for a spiral hanger showing my new design;
FIG. 2 is a front elevation view thereof;
FIG. 3 is a top plan view thereof;
FIG. 4 is a bottom plain view of thereof;
FIG. 5 is a right side elevation view thereof;
FIG. 6 is a front elevation view of the connector in a position of use;
FIG. 7 is a rear elevation view of the connector in a position of use;
FIG. 8 is a right side perspective view of the connector in a position of use;
FIG. 9 is a left side perspective view of the connector in a position of use; and
FIG. 10 is a right side elevation view of the connector in a position of use;
FIG. 11 is a left side elevation view of the connector in a position of use;
FIG. 12 is an additional view of the connector in a position of use;
FIG. 13 is an additional view of the connector in a position of use;
FIG. 14 is an additional view of the connector in a position of use; and,
FIG. 15 is an additional view of the connector in a position of use.
Broken lines in the figures illustrate an environmental structure and form no part of the claimed design.

(56) **References Cited**

U.S. PATENT DOCUMENTS

D282,906 S * 3/1986 Marshall D8/382
D324,026 S * 2/1992 Ichida et al. D13/133
D325,024 S * 3/1992 Suzuki et al. D13/133
D328,589 S * 8/1992 Ohkura et al. D13/133

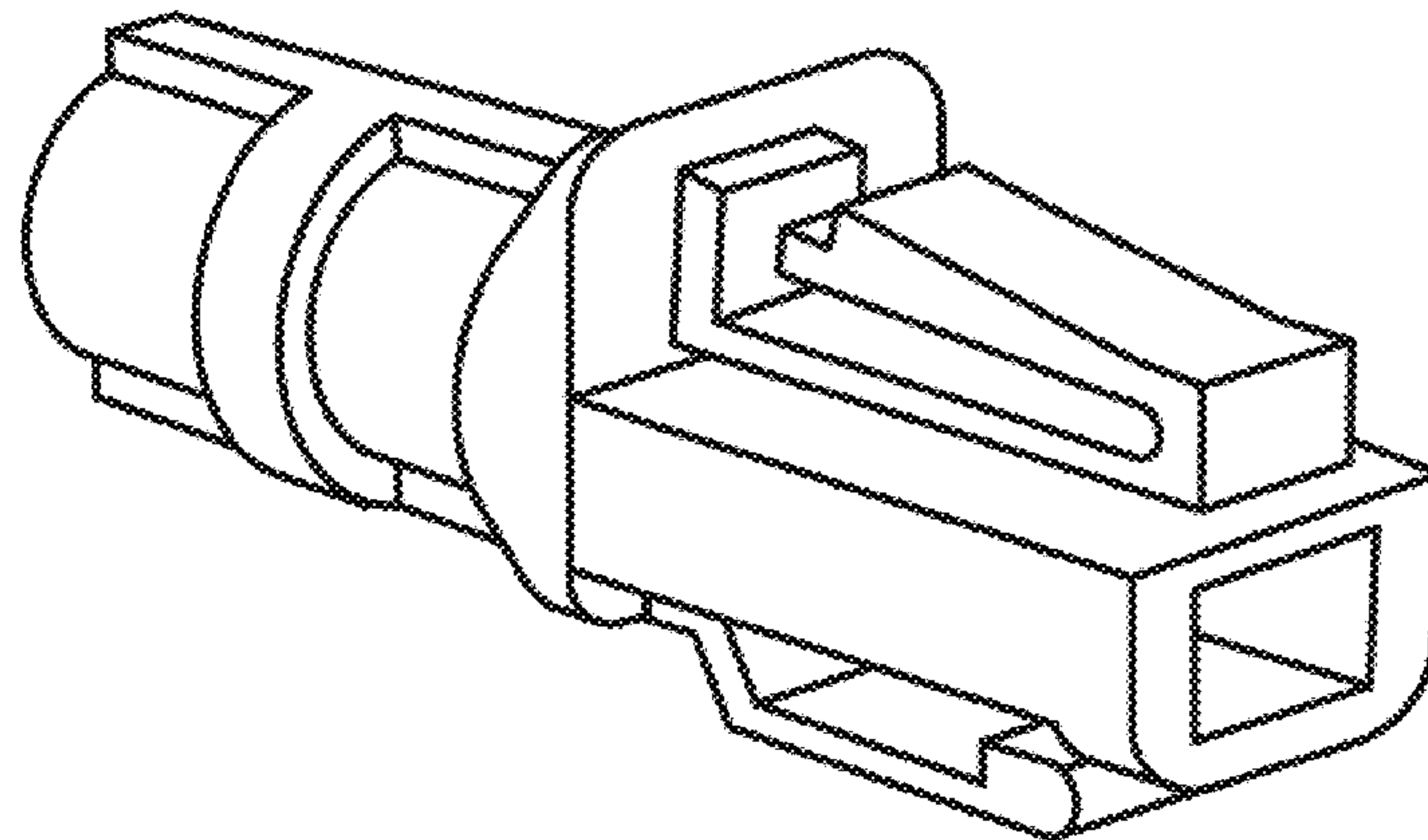
(Continued)

FOREIGN PATENT DOCUMENTS

JP D1080450 S 7/2000
JP D1094050 S 12/2000

(Continued)

1 Claim, 13 Drawing Sheets



(56)

References Cited

U.S. PATENT DOCUMENTS

5,145,409 A * 9/1992 Sato et al. 439/585
 D380,262 S * 6/1997 Van Funderburk et al. . D24/129
 D401,218 S * 11/1998 Brorsson et al. D13/133
 D522,109 S * 5/2006 White et al. D23/262
 D527,345 S * 8/2006 Zhang D13/133
 D528,505 S * 9/2006 Caveney et al. D13/133
 D535,620 S * 1/2007 Mace et al. D13/133
 D564,966 S * 3/2008 Shifris D13/147
 D584,136 S * 1/2009 Irvin D8/382
 D595,654 S * 7/2009 Andre et al. D13/133
 D600,643 S * 9/2009 Ohshima D13/146
 D610,440 S * 2/2010 Prichard et al. D8/382
 D617,272 S * 6/2010 The D13/133
 D639,740 S * 6/2011 Chi D13/133
 D643,815 S * 8/2011 Mark et al. D13/133
 D647,480 S * 10/2011 Ohmori D13/133
 D647,481 S * 10/2011 Ohmori D13/133
 D647,849 S * 11/2011 Yu D13/133
 D649,512 S * 11/2011 Shimoji et al. D13/133
 D696,574 S * 12/2013 Caterinacci D8/382

D699,680 S * 2/2014 Takamoto et al. D13/133
 D704,539 S * 5/2014 Fujiwara D8/382
 D705,168 S * 5/2014 Yamauchi et al. D13/133
 D714,723 S * 10/2014 Vogelmann D13/133
 D722,864 S * 2/2015 Greenthal D8/382
 D724,419 S * 3/2015 Ikeda D8/382

FOREIGN PATENT DOCUMENTS

JP D1266802 S 4/2006
 JP D1267874 S 4/2006
 JP D1306271 S 7/2007
 JP D1311854 S 10/2007
 JP D1319220 S 1/2008
 JP 3145969 U 10/2008
 JP D1383838 S 3/2010
 JP D1408342 S 2/2011
 JP D1461967 S 2/2013
 JP D1463988 S 3/2013
 JP D1478627 S 9/2013
 JP D1485533 S 12/2013

* cited by examiner

FIG. 1

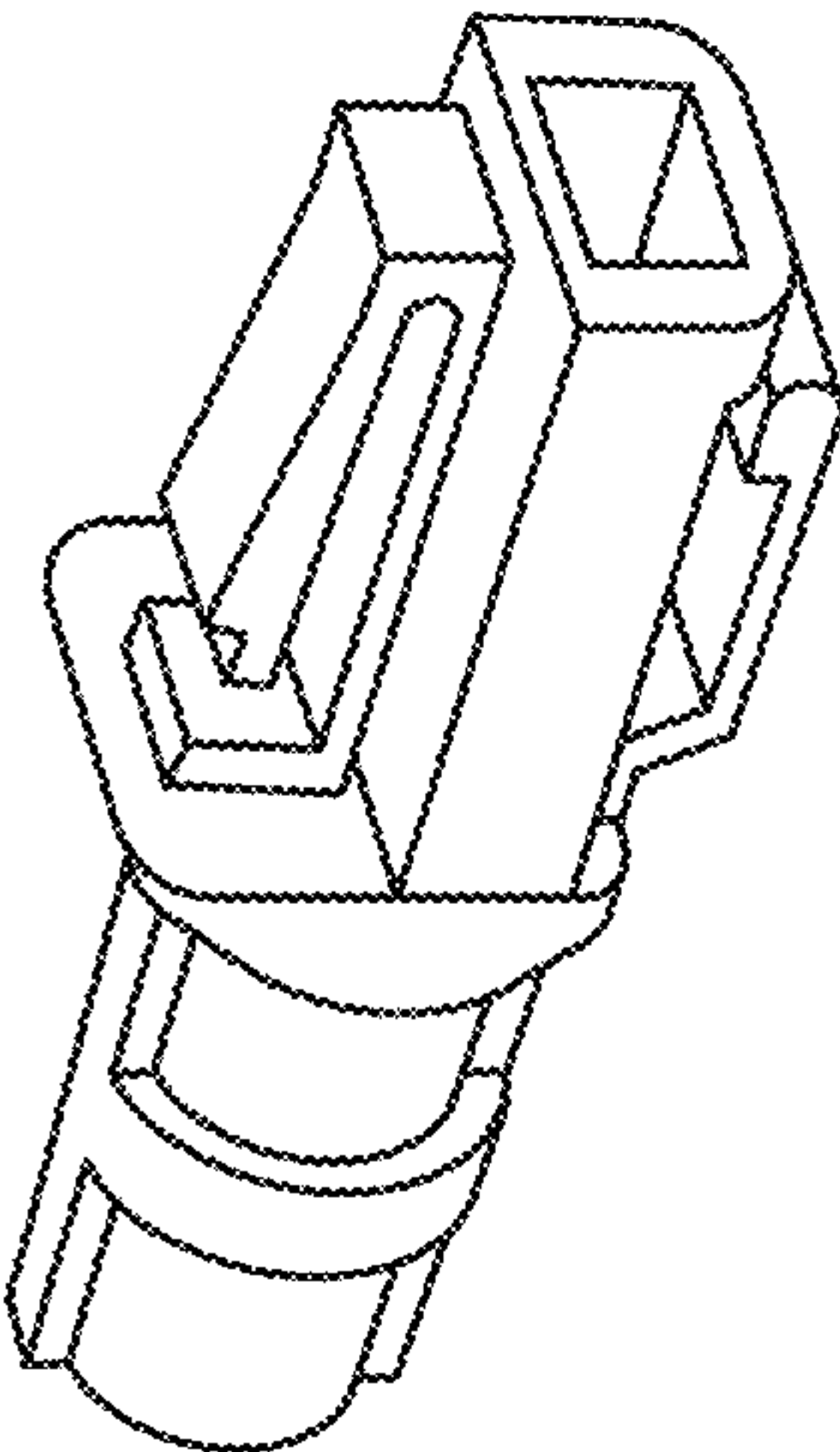


FIG. 2

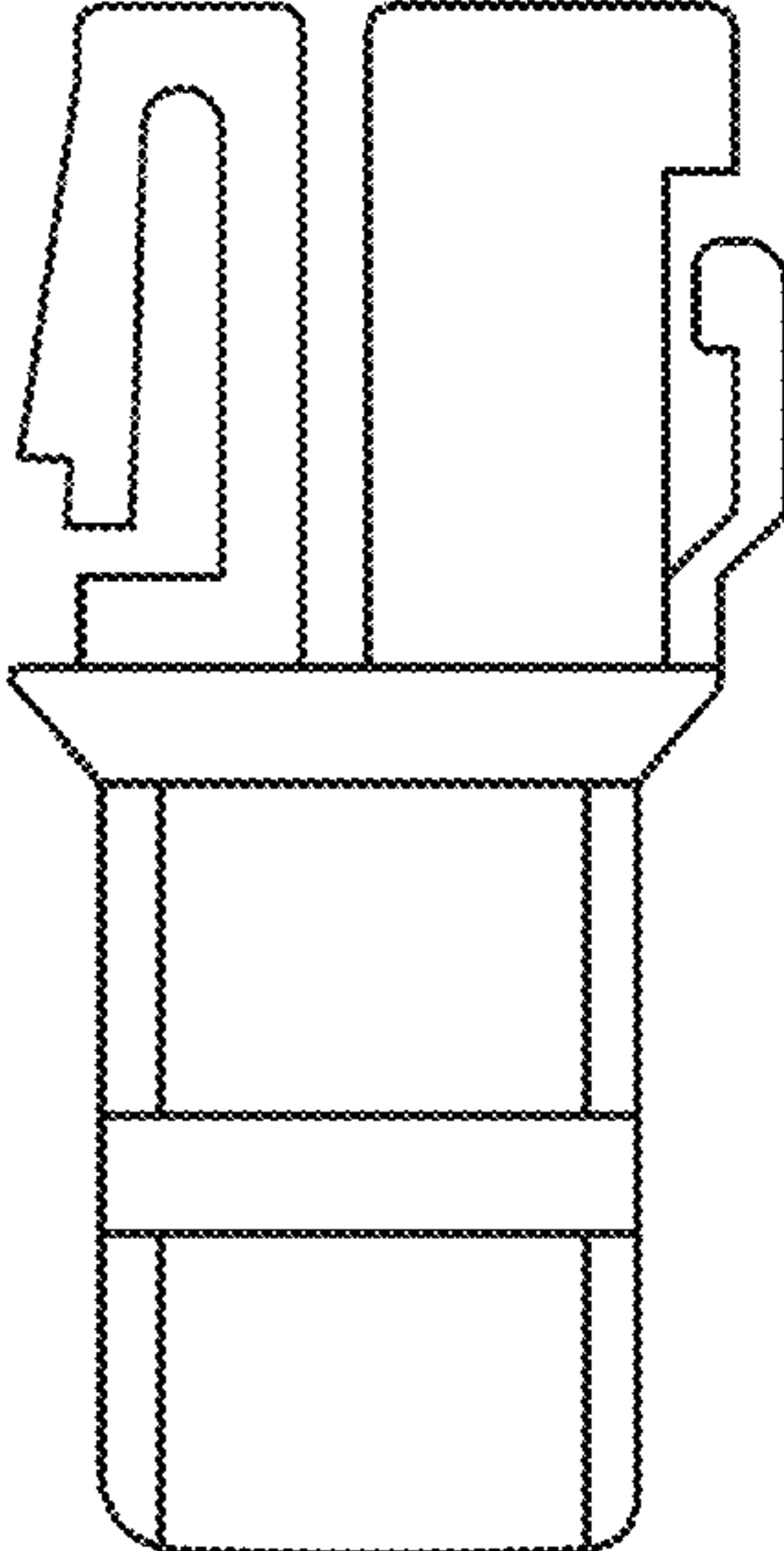


FIG. 3

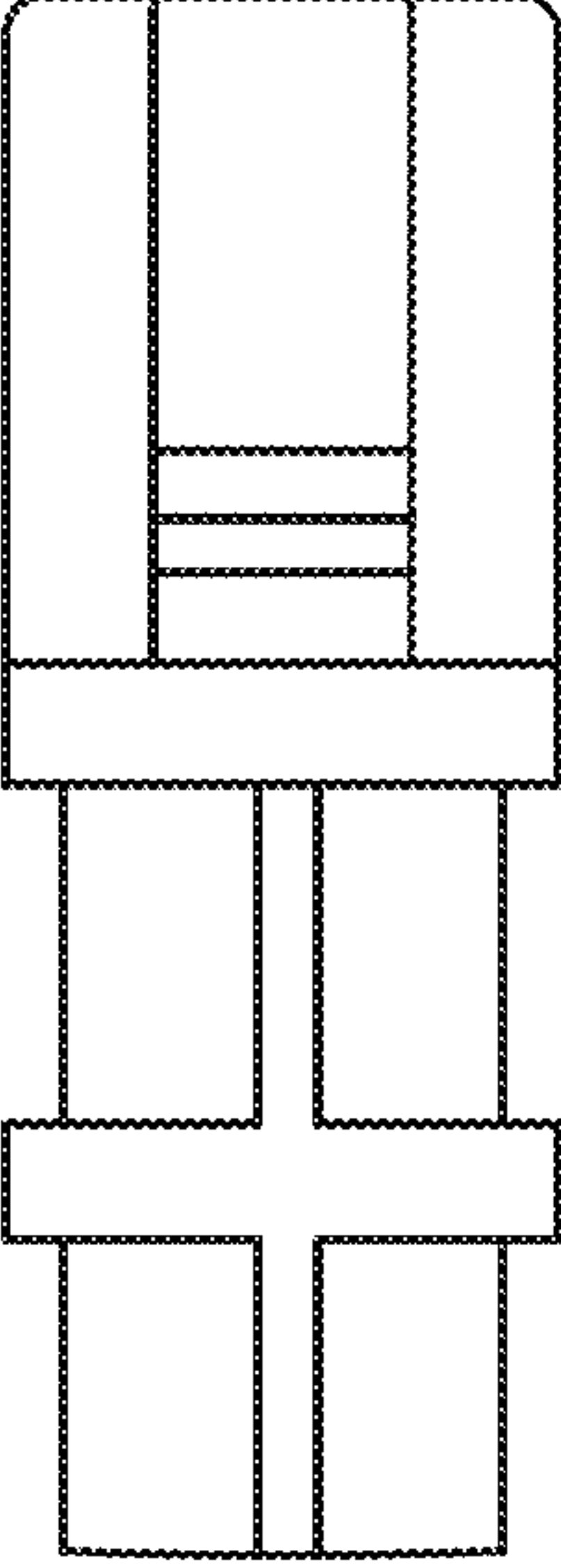


FIG. 4

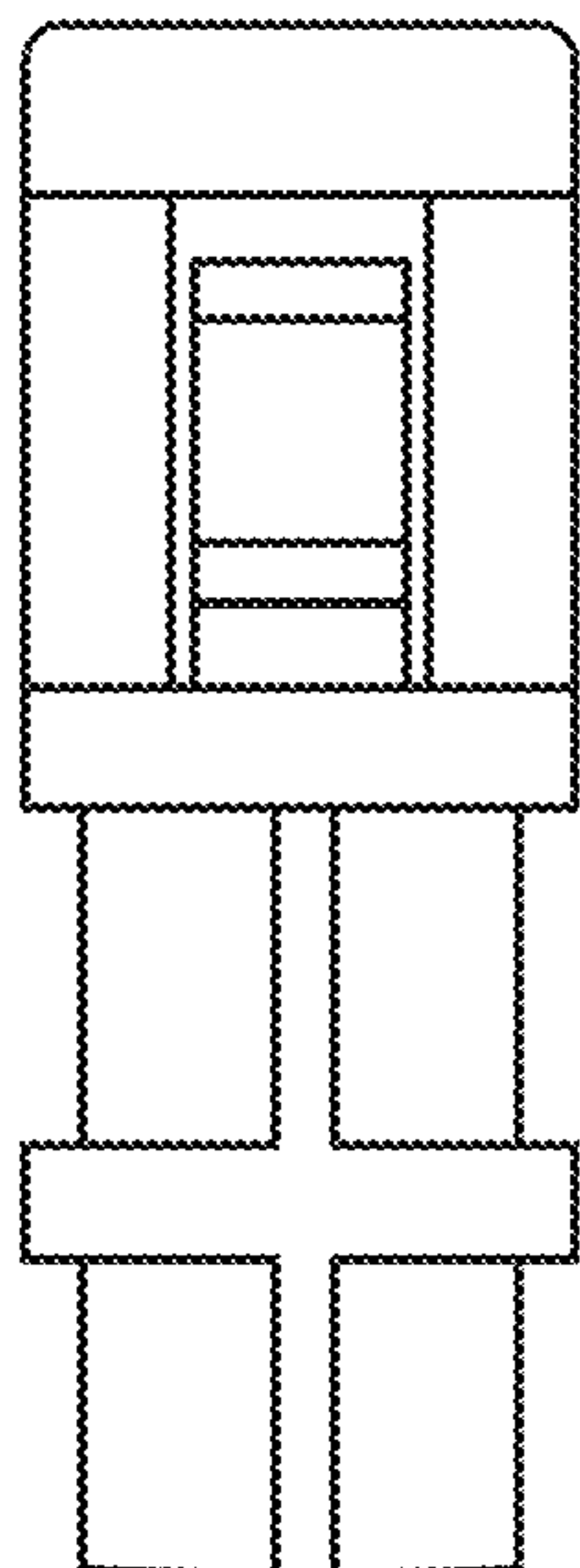


FIG. 5

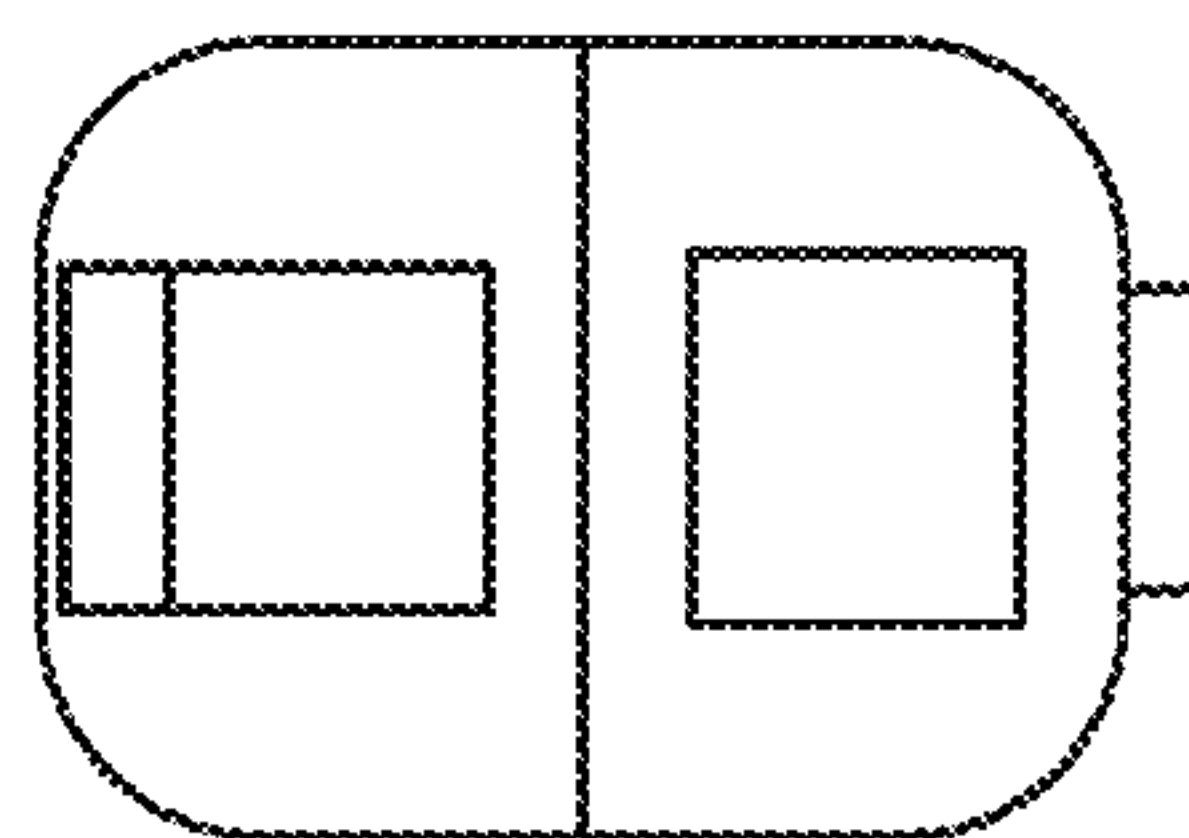


FIG. 6

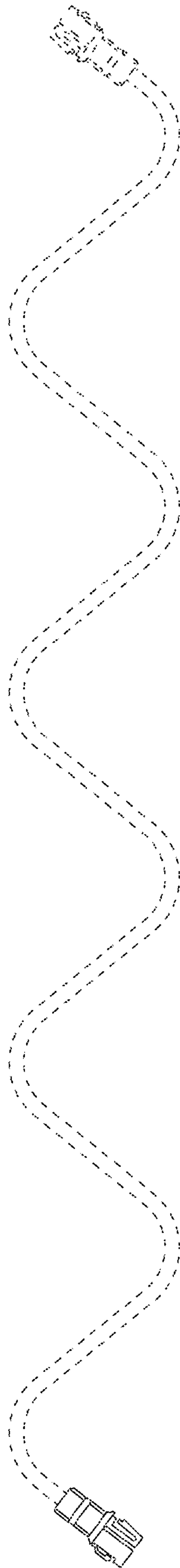


FIG. 7

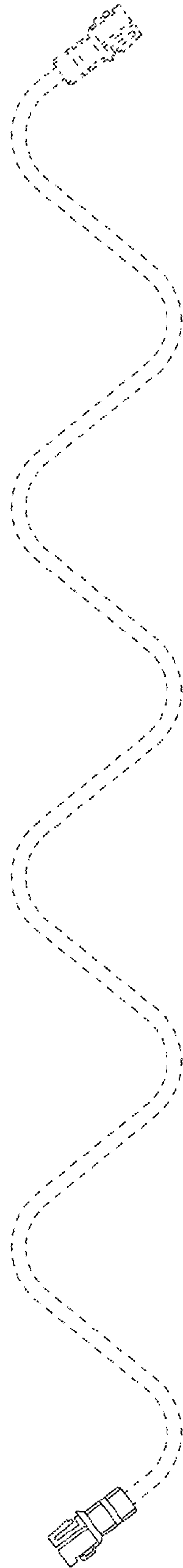


FIG. 8

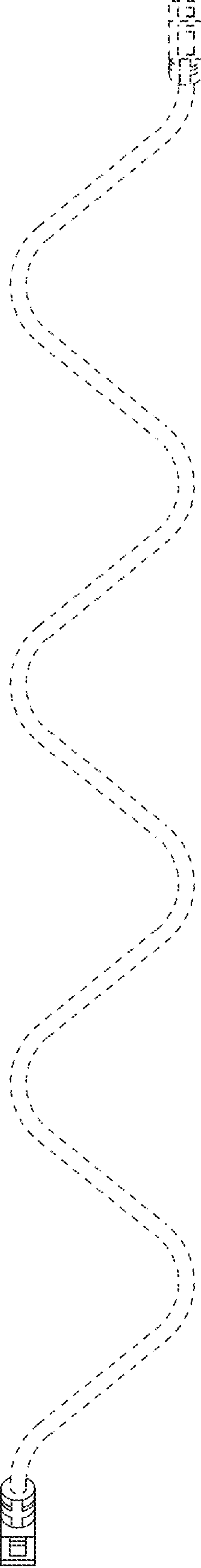


FIG. 9

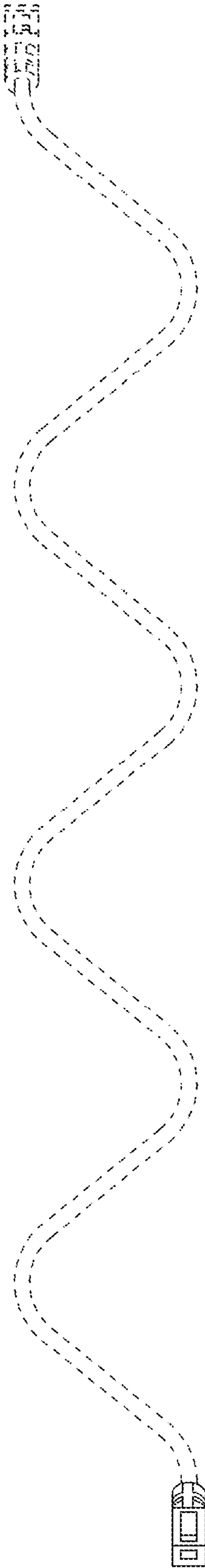


FIG. 10

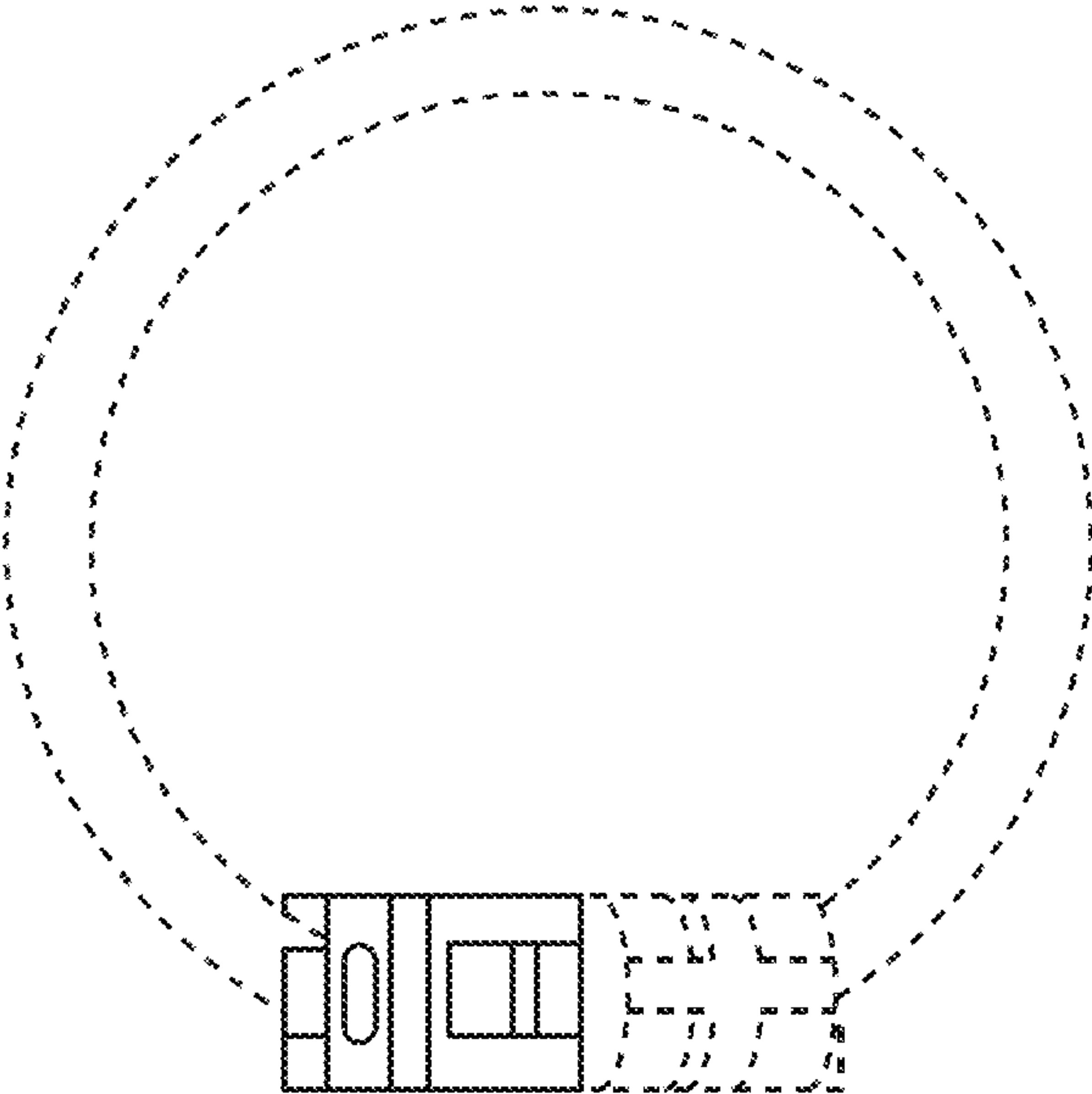


FIG. 11

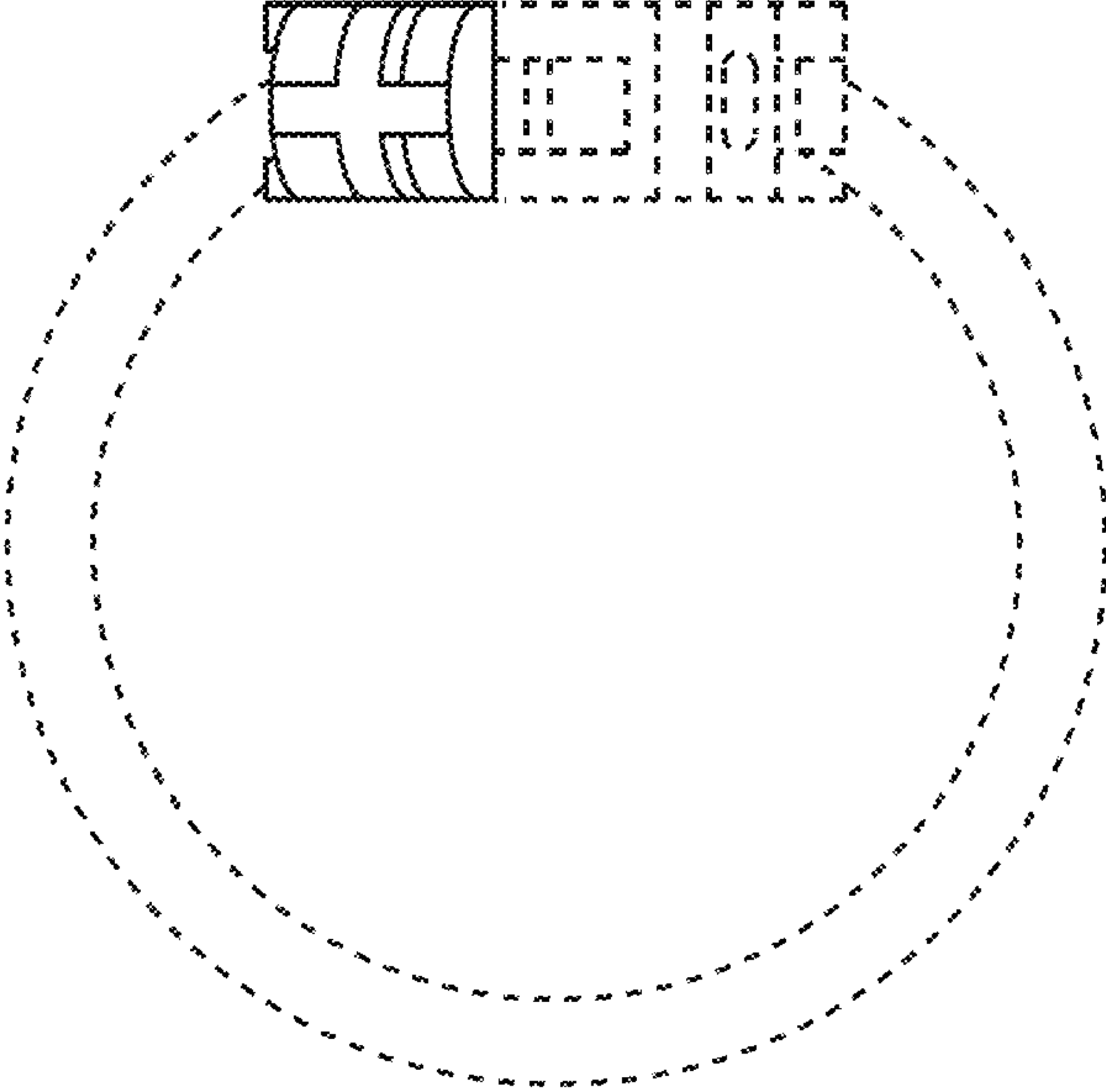


FIG. 12

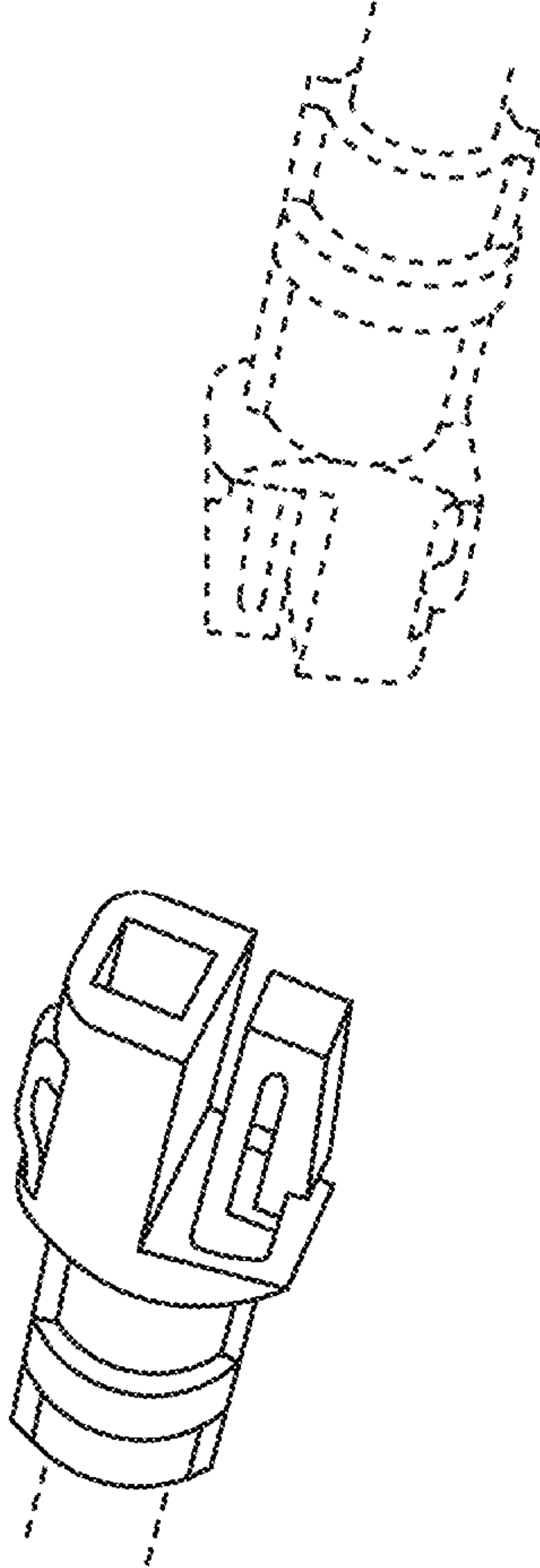


FIG. 13

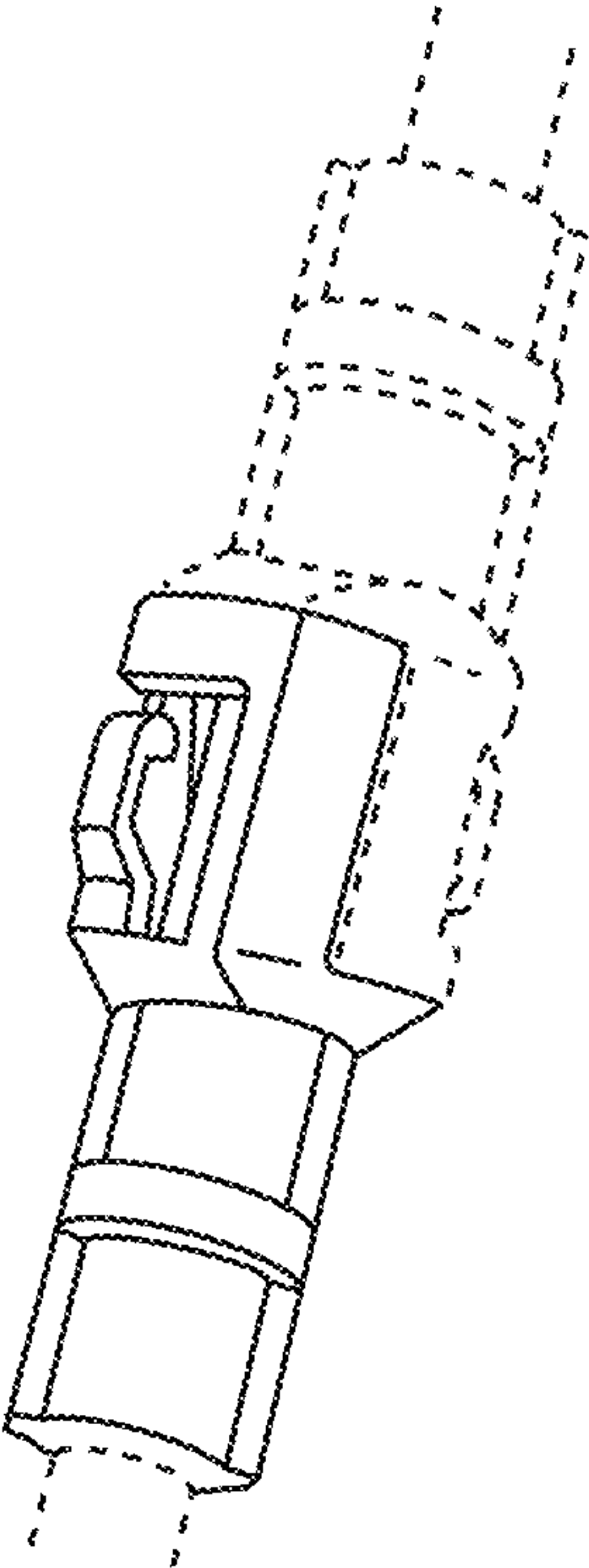


FIG. 14

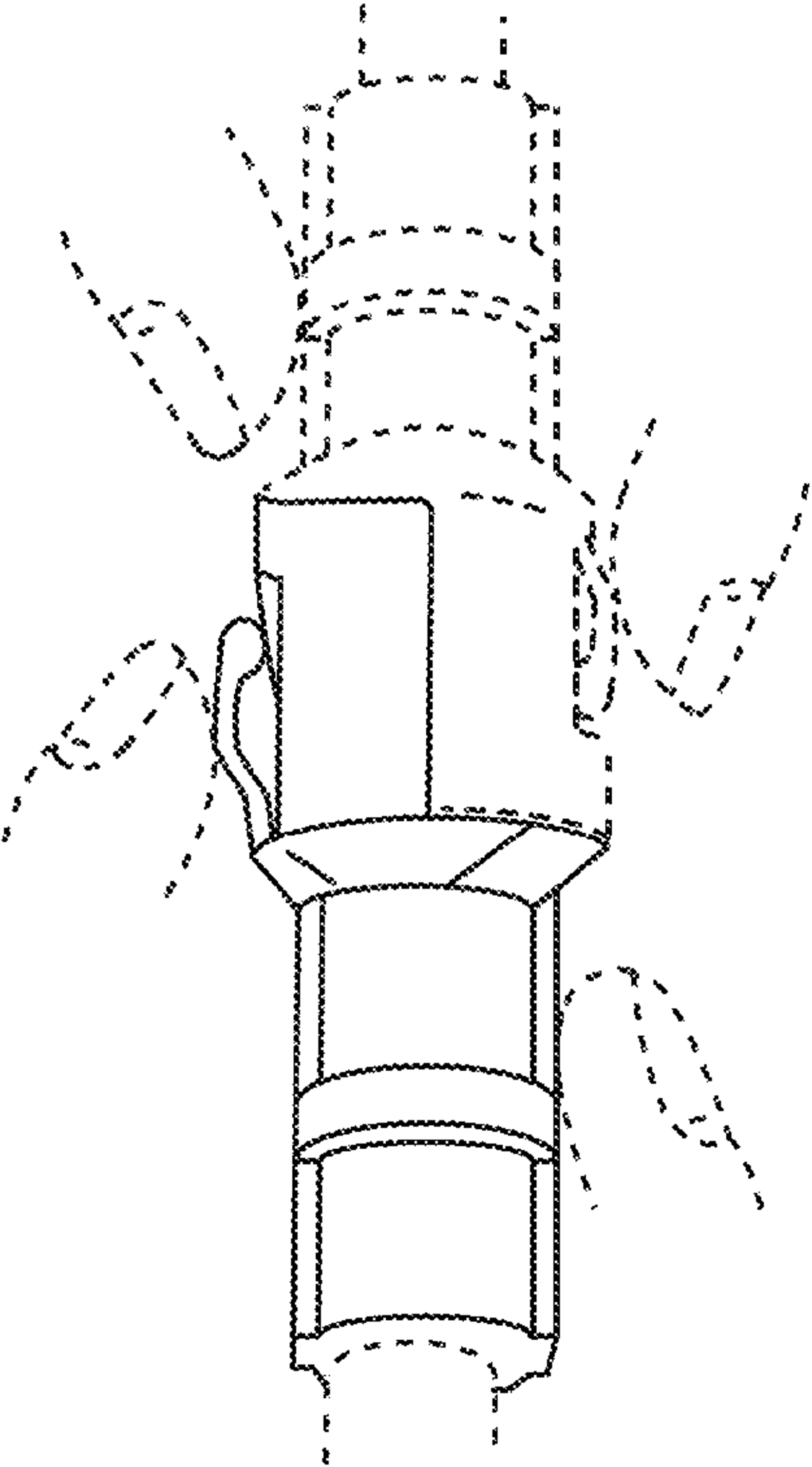


FIG. 15

