



US00D744817S

(12) **United States Design Patent**
Hyakutake et al.

(10) **Patent No.:** **US D744,817 S**
(45) **Date of Patent:** **** Dec. 8, 2015**

(54) **JOINT FOR CONNECTION**
(71) Applicant: **ADAMANT KOGYO CO., LTD.**,
Tokyo (JP)
(72) Inventors: **Yasuhiro Hyakutake**, Tokyo (JP);
Shinichi Takeda, Tokyo (JP); **Yusuke**
Akiyama, Tokyo (JP)
(73) Assignee: **ADAMANT KOGYO CO., LTD**, Tokyo
(JP)

4,044,725 A * 8/1977 Miller 119/865
4,338,755 A * 7/1982 Chichester, Jr. 411/80.2
4,403,885 A * 9/1983 Babb 403/317
D392,555 S * 3/1998 Glickman et al. D8/382
D393,417 S * 4/1998 Glickman et al. D8/382
D423,919 S * 5/2000 Galinski D8/382
7,695,170 B1 * 4/2010 Baldwin et al. 362/371
D659,523 S * 5/2012 Nielsen D8/382
D669,392 S * 10/2012 Dunn D11/184
D703,519 S * 4/2014 Senseney et al. D8/382

(Continued)

(**) Term: **14 Years**
(21) Appl. No.: **29/421,933**
(22) Filed: **Oct. 23, 2012**

FOREIGN PATENT DOCUMENTS

EP 0980984 A1 * 2/2000 F16C 11/0604
FR 2521445 A1 * 8/1983 A63H 33/101

(Continued)

(30) **Foreign Application Priority Data**
Apr. 24, 2012 (JP) 2012-009460

Primary Examiner — Sheryl Lane
Assistant Examiner — Ieisha Price
(74) *Attorney, Agent, or Firm* — Manabu Kanesaka

(51) **LOC (10) Cl.** **08-08**
(52) **U.S. Cl.**
USPC **D8/382**

(57) **CLAIM**
The ornamental design for a joint for connection, as shown
and described.

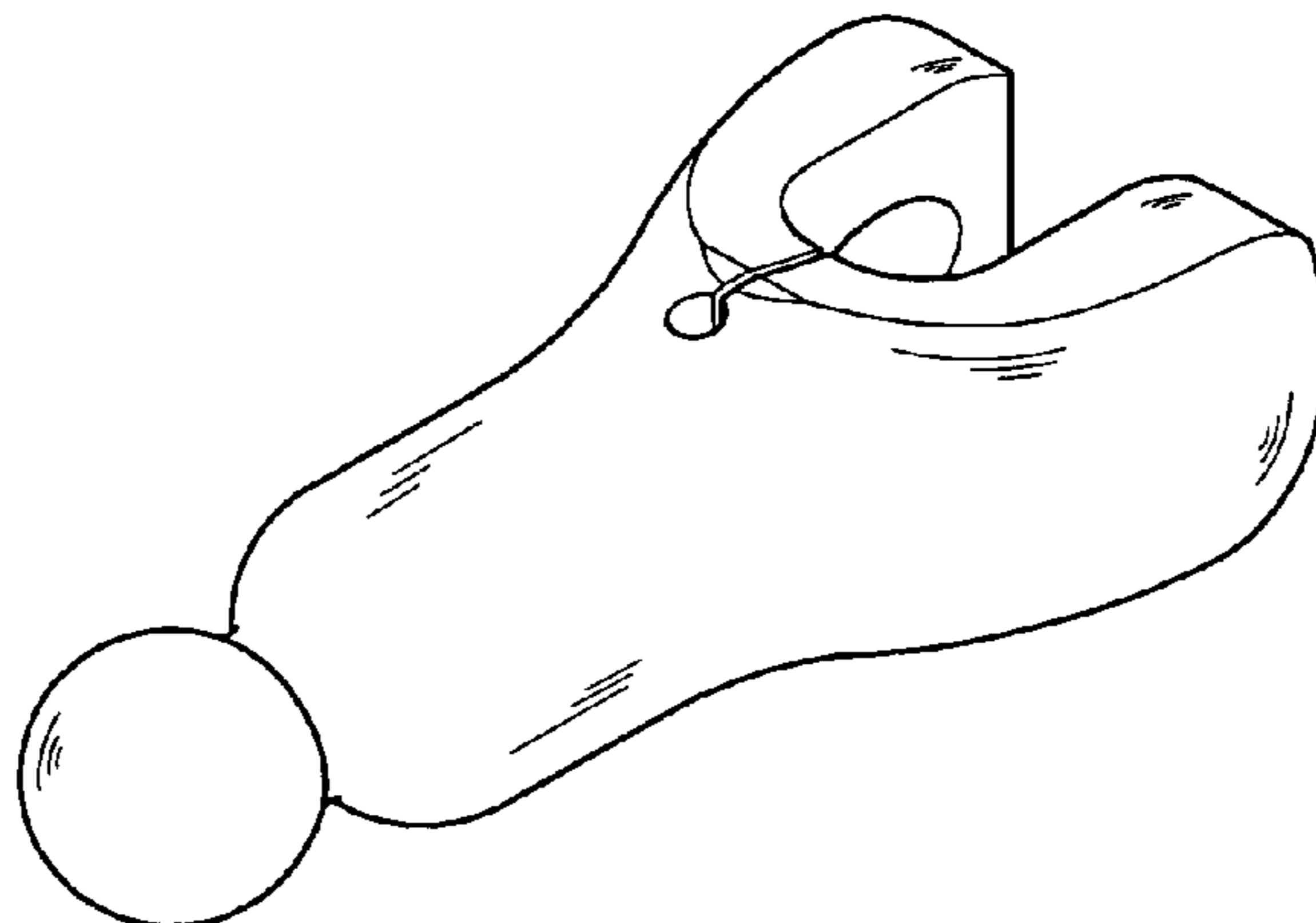
(58) **Field of Classification Search**
USPC D8/30, 382, 330, 331, 339, 341, 343,
D8/344, 499; D10/80, 103, 121; D11/206,
D11/220, 87, 86, 93, 184; D21/578, 597,
D21/584, 658
CPC .. F16C 11/06; F16C 11/0604; F16C 11/0619;
F16C 11/0623; F16B 2012/403; A63H 33/10;
A63H 33/101; Y10T 403/32631
See application file for complete search history.

DESCRIPTION

FIG. 1 is a front view of a joint for connection showing our
new design, which is identical to the rear view,
FIG. 2 is a right side view thereof;
FIG. 3 is a left side view thereof;
FIG. 4 is a top plan view thereof, which is identical to the
bottom view;
FIG. 5 is a sectional view taken along line 5-5 in FIG. 1,
FIG. 6 is a sectional view taken along line 6-6 in FIG. 4; and
FIG. 7 is a perspective view thereof; and,
FIG. 8 is another perspective view showing the joint for
connection in a state of use.
The broken lines shown in FIG. 8 represent the environment
of the claimed design and form no part thereof.

(56) **References Cited**
U.S. PATENT DOCUMENTS
D54,961 S * 4/1920 Schuler D8/382
1,746,839 A * 2/1930 Main et al. 446/100
2,531,892 A * 11/1950 Reese 403/11
D231,546 S * 4/1974 Christiansen D21/658

1 Claim, 8 Drawing Sheets



(56)

References Cited

FOREIGN PATENT DOCUMENTS

U.S. PATENT DOCUMENTS

D719,821 S * 12/2014 McGrath D8/382
D721,266 S * 1/2015 Sun D8/382
D727,138 S * 4/2015 Cross D8/382

WO WO 2007008172 A1 * 1/2007 F16C 11/06
WO WO 2007115524 A2 * 10/2007 B60T 11/18

* cited by examiner

Fig. 1

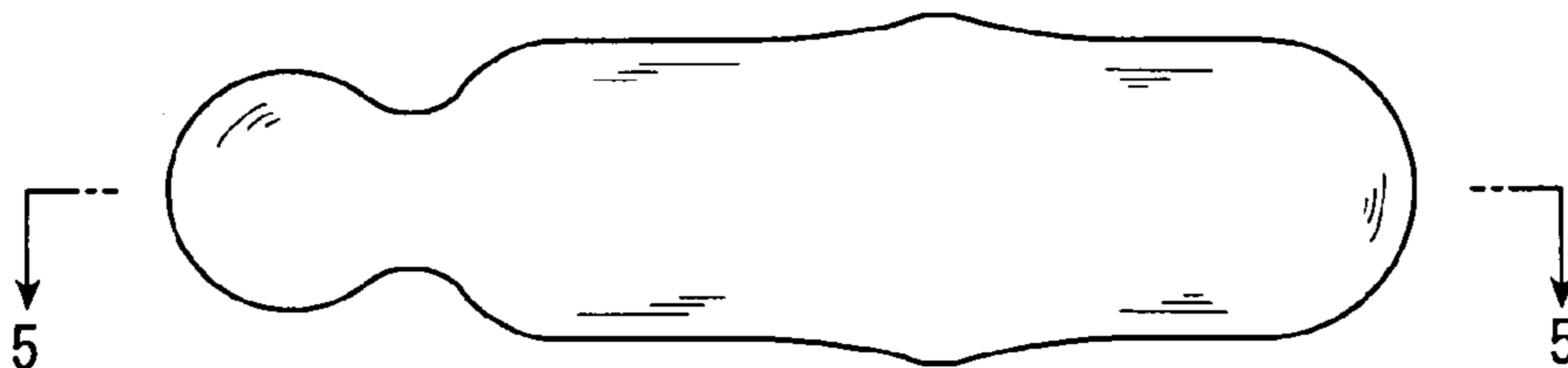


Fig. 2

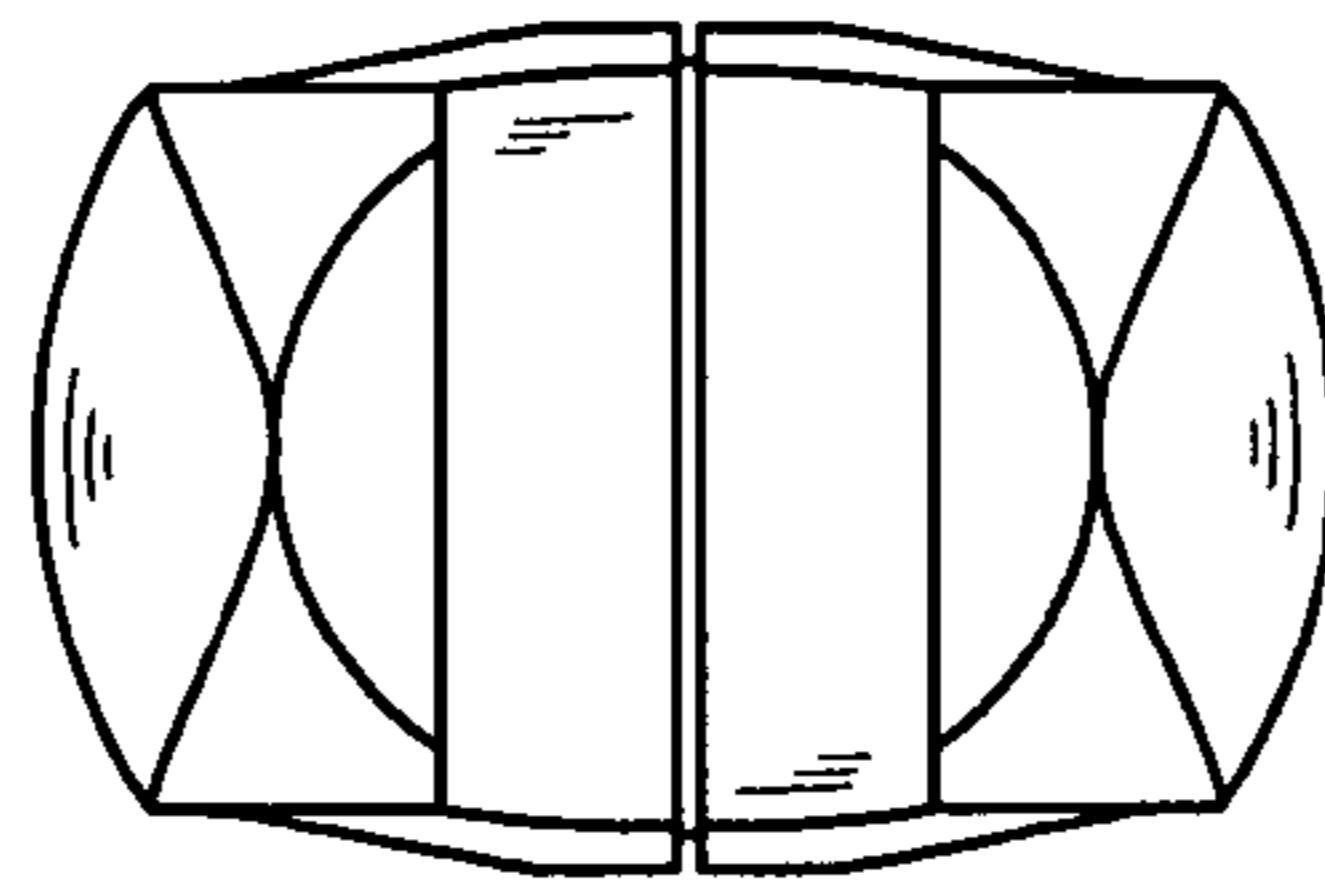


Fig. 3

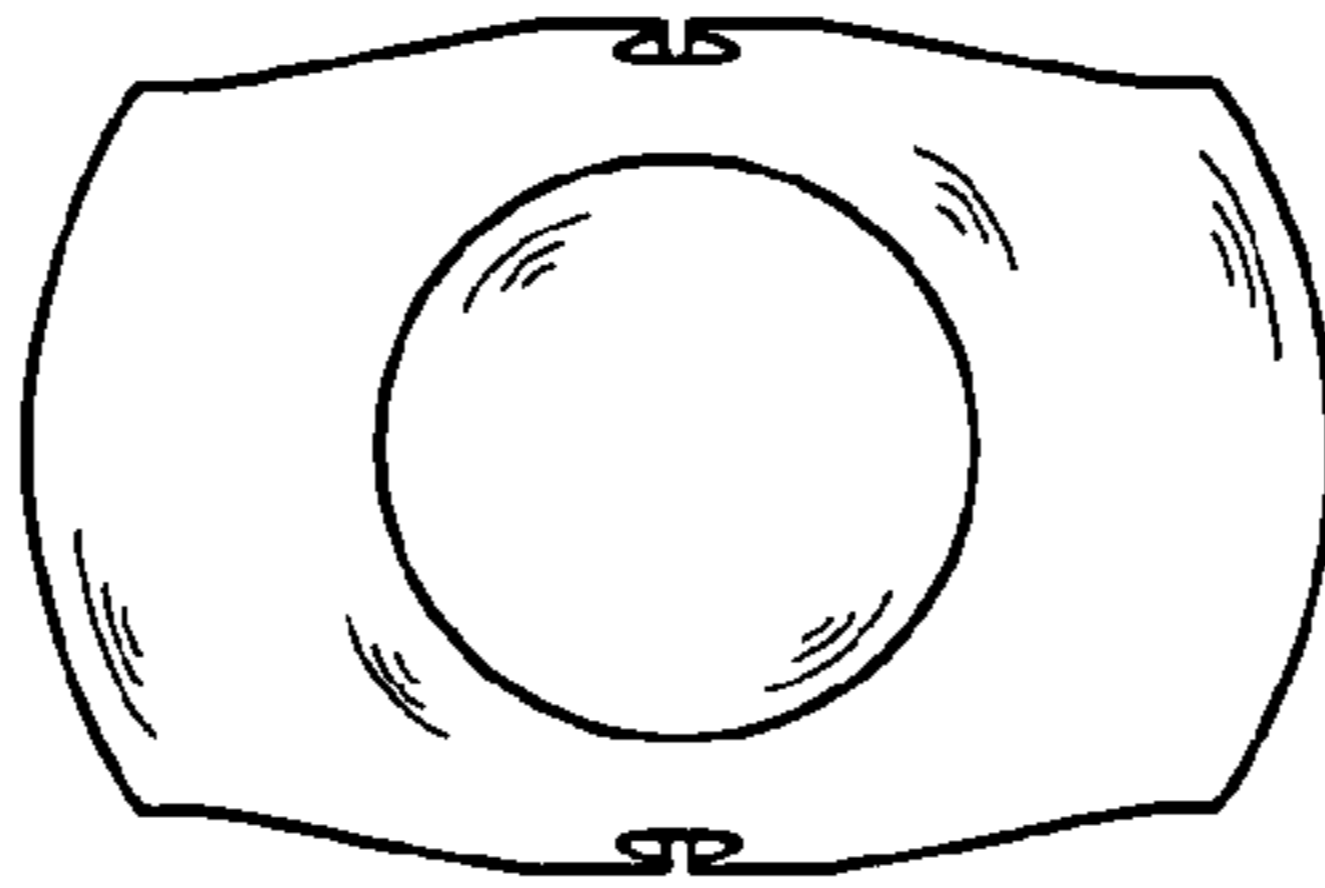


Fig. 4

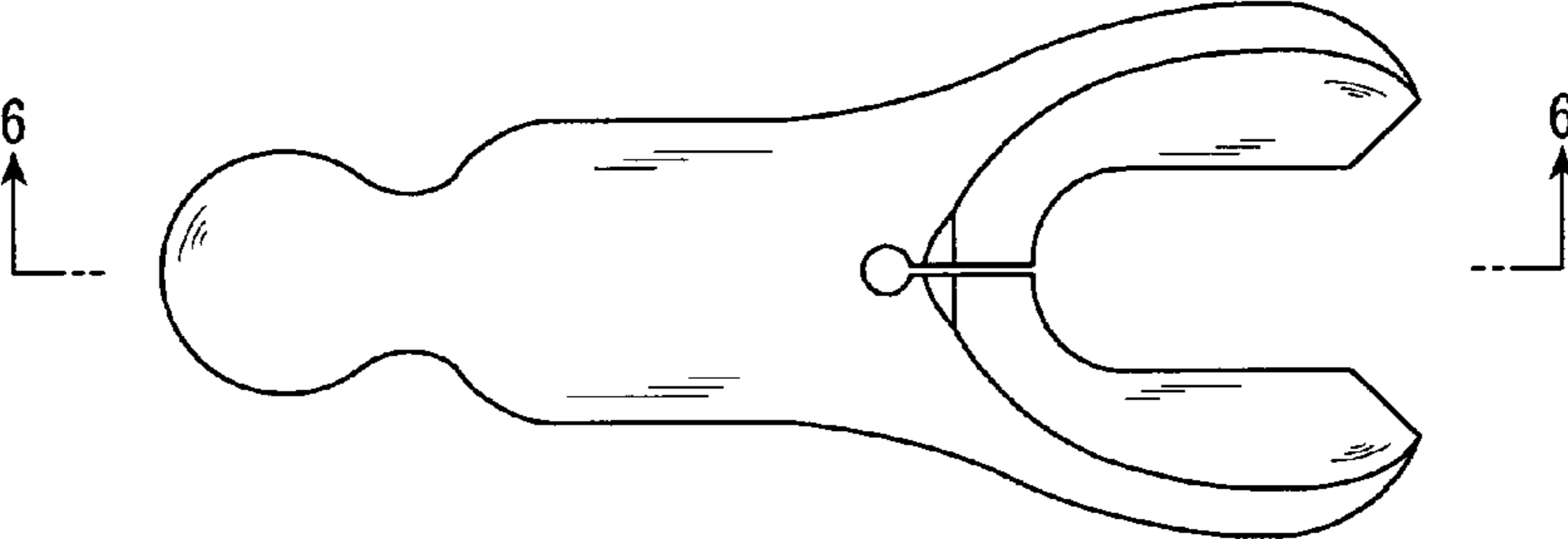


Fig. 5

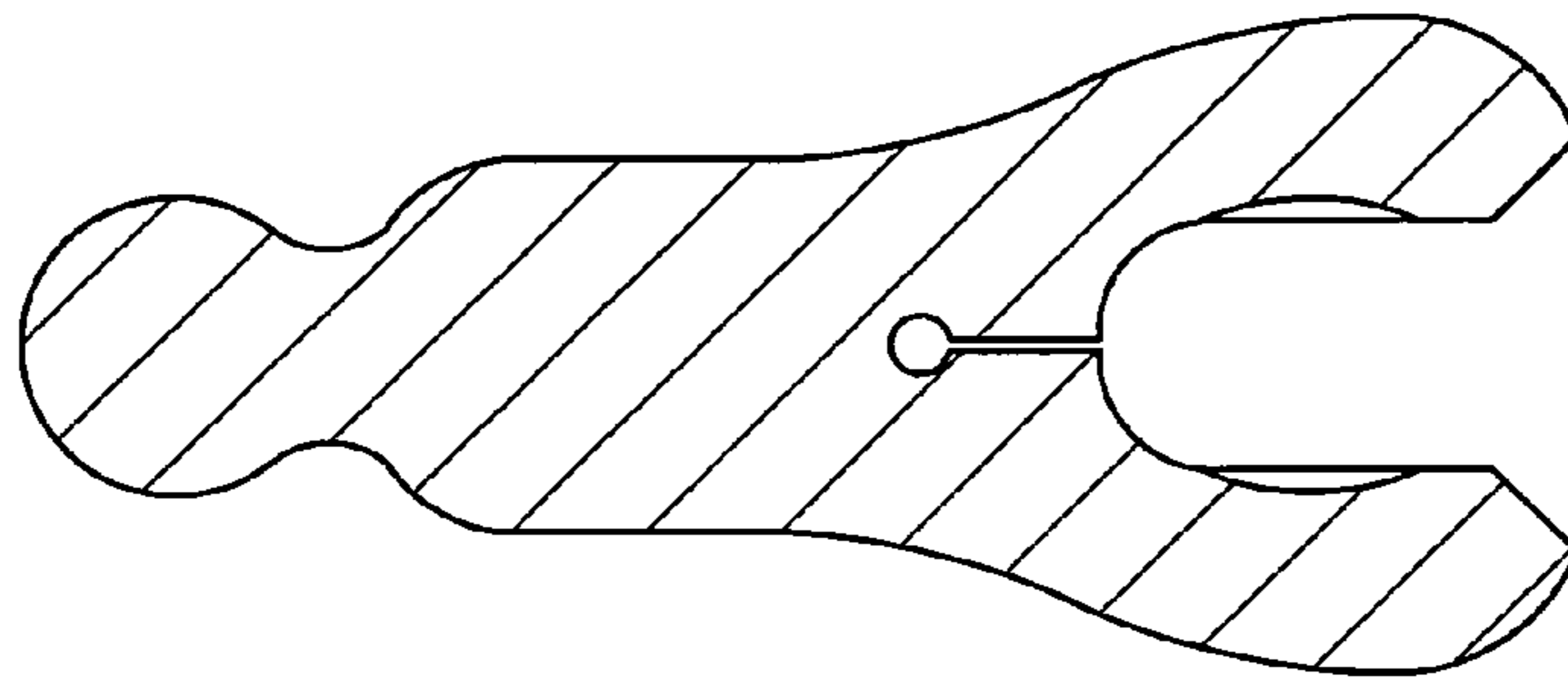


Fig. 6

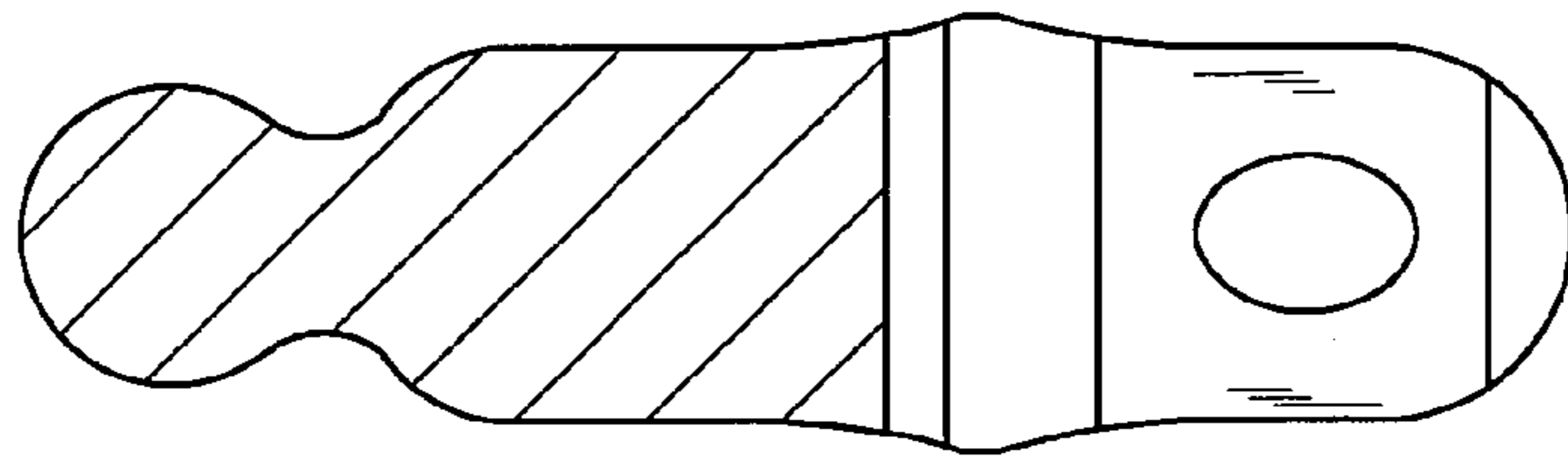


Fig. 7

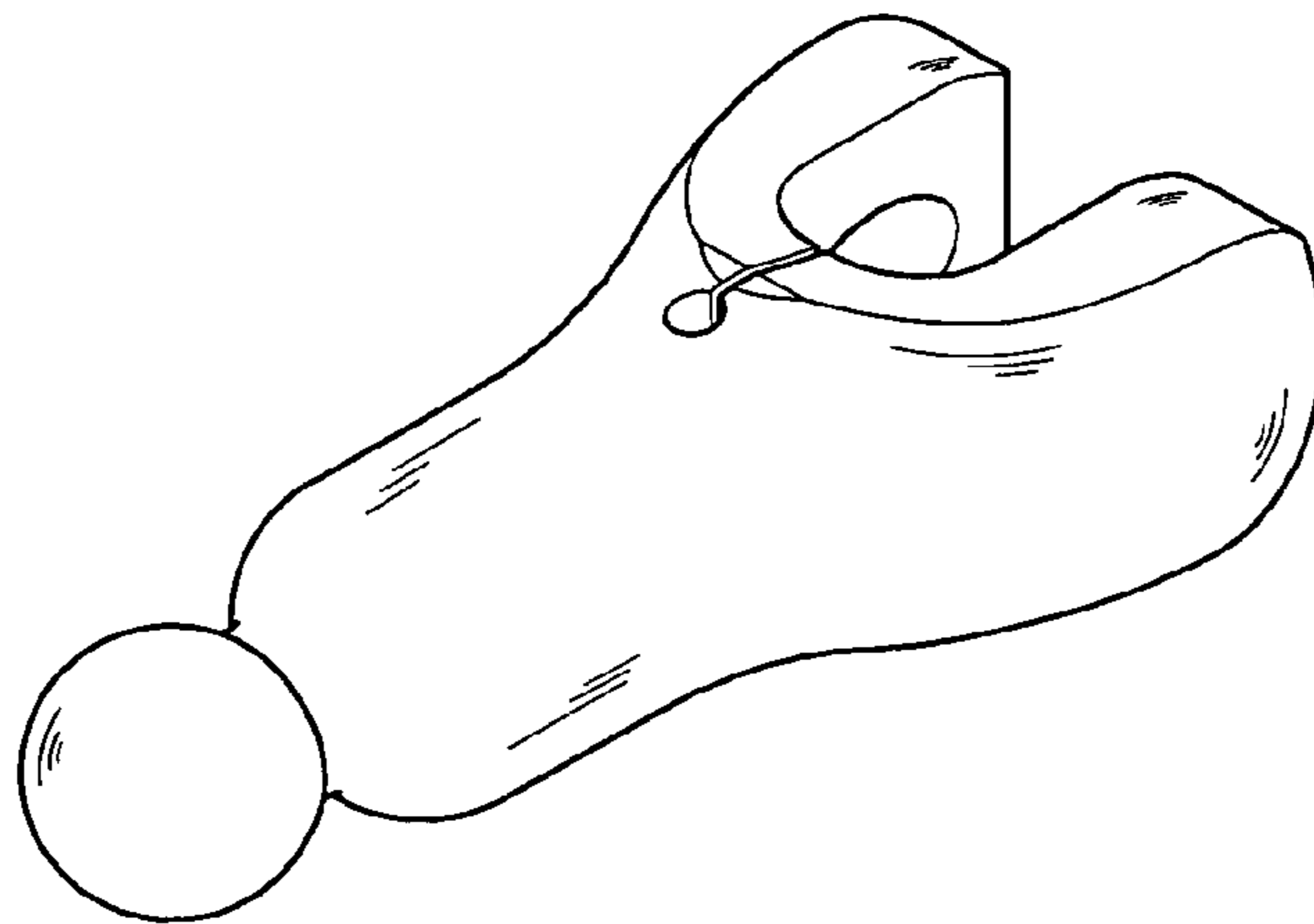


Fig. 8

