



US00D744814S

(12) **United States Design Patent**
Comerford et al.

(10) **Patent No.:** **US D744,814 S**

(45) **Date of Patent:** **** Dec. 8, 2015**

(54) **CONCRETE REINFORCING BAR COUPLER PART**

(71) Applicant: **Nexus Couplers Pty Ltd**, Glen Aplin (AU)

(72) Inventors: **Ernest Comerford**, Glen Aplin (AU);
Mark Rankin, Glen Aplin (AU)

(73) Assignee: **NEXUS COUPLERS PTY LTD.**, Glen Aplin (AU)

(**) Term: **14 Years**

(21) Appl. No.: **29/499,354**

(22) Filed: **Aug. 14, 2014**

(30) **Foreign Application Priority Data**

Feb. 18, 2014 (AU) 10756/2014

(51) **LOC (10) Cl.** **08-05**

(52) **U.S. Cl.**
USPC **D8/354**

(58) **Field of Classification Search**
USPC D8/349, 354, 380, 384; D25/199;
248/440; 52/677, 678, 679, 682, 684,
52/685, 686, 687, 745.21, 688, 689, 585.1,
52/848, 849; 404/134, 135, 136; 403/327,
403/306, 292, 378, 379.5, 11, 12, 27,
403/109.1-109.3, 109.8
CPC E04C 5/16; E04C 5/20; E04C 5/201;
E04C 5/168; E04C 5/165; E04C 5/18; F16B
21/12; Y10T 403/5741
See application file for complete search history.

(56) **References Cited**

U.S. PATENT DOCUMENTS

2,696,090 A * 12/1954 Harrington 464/162
3,449,003 A * 6/1969 Hunt 403/324

4,042,305 A * 8/1977 Vincent 403/14
4,127,354 A * 11/1978 Mixon, Jr. 403/279
4,508,468 A * 4/1985 Irwin 403/328
5,083,883 A * 1/1992 Ueda et al. 403/328
5,255,993 A * 10/1993 Kovacs 403/328
5,664,902 A * 9/1997 Holdsworth 403/362
5,974,761 A * 11/1999 Mochizuki et al. 403/267
6,202,282 B1 * 3/2001 Holdsworth 29/456
6,321,501 B1 * 11/2001 Ignash 52/645
6,565,280 B1 * 5/2003 Post 403/325
6,679,024 B2 * 1/2004 Dahl 403/265
6,688,800 B2 * 2/2004 Kresge 403/322.1
6,854,916 B2 * 2/2005 Hsieh 403/109.3
7,975,444 B2 * 7/2011 Holdsworth et al. 52/223.7
2003/0159395 A1 * 8/2003 Dahl 52/726.1
2006/0053735 A1 * 3/2006 Kim 52/726.1
2006/0228170 A1 * 10/2006 Joo 403/286
2007/0248405 A1 * 10/2007 Al-Tuhami 403/306
2009/0139177 A1 * 6/2009 Holdsworth et al. 52/713
2009/0301025 A1 * 12/2009 Kodi 52/678
2010/0104357 A1 * 4/2010 Al-Tuhami et al. 403/312
2012/0201597 A1 8/2012 Comerford et al.
2013/0230350 A1 * 9/2013 Kim et al. 403/327

* cited by examiner

Primary Examiner — Mark Goodwin

(74) *Attorney, Agent, or Firm* — Katten Muchin Rosenman LLP

(57) **CLAIM**

The ornamental design for a concrete reinforcing bar coupler part, as shown and described.

DESCRIPTION

FIG. 1 is a front perspective view of a concrete reinforcing bar coupler part showing our new design.

FIG. 2 is a rear perspective view thereof.

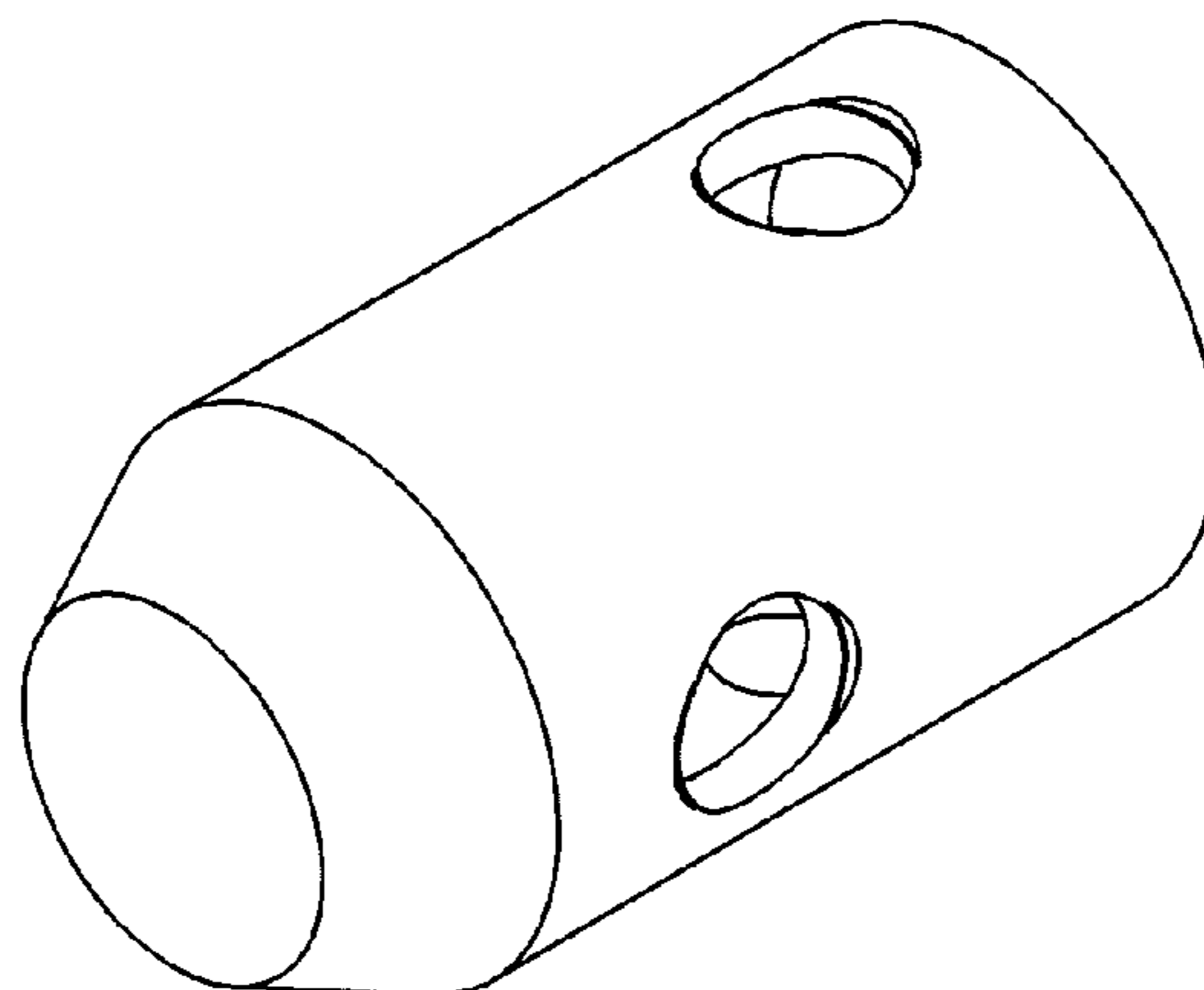
FIG. 3 is a side view from one side.

FIG. 4 is a side view from the opposite side.

FIG. 5 is a rear view; and,

FIG. 6 is a front view.

1 Claim, 6 Drawing Sheets



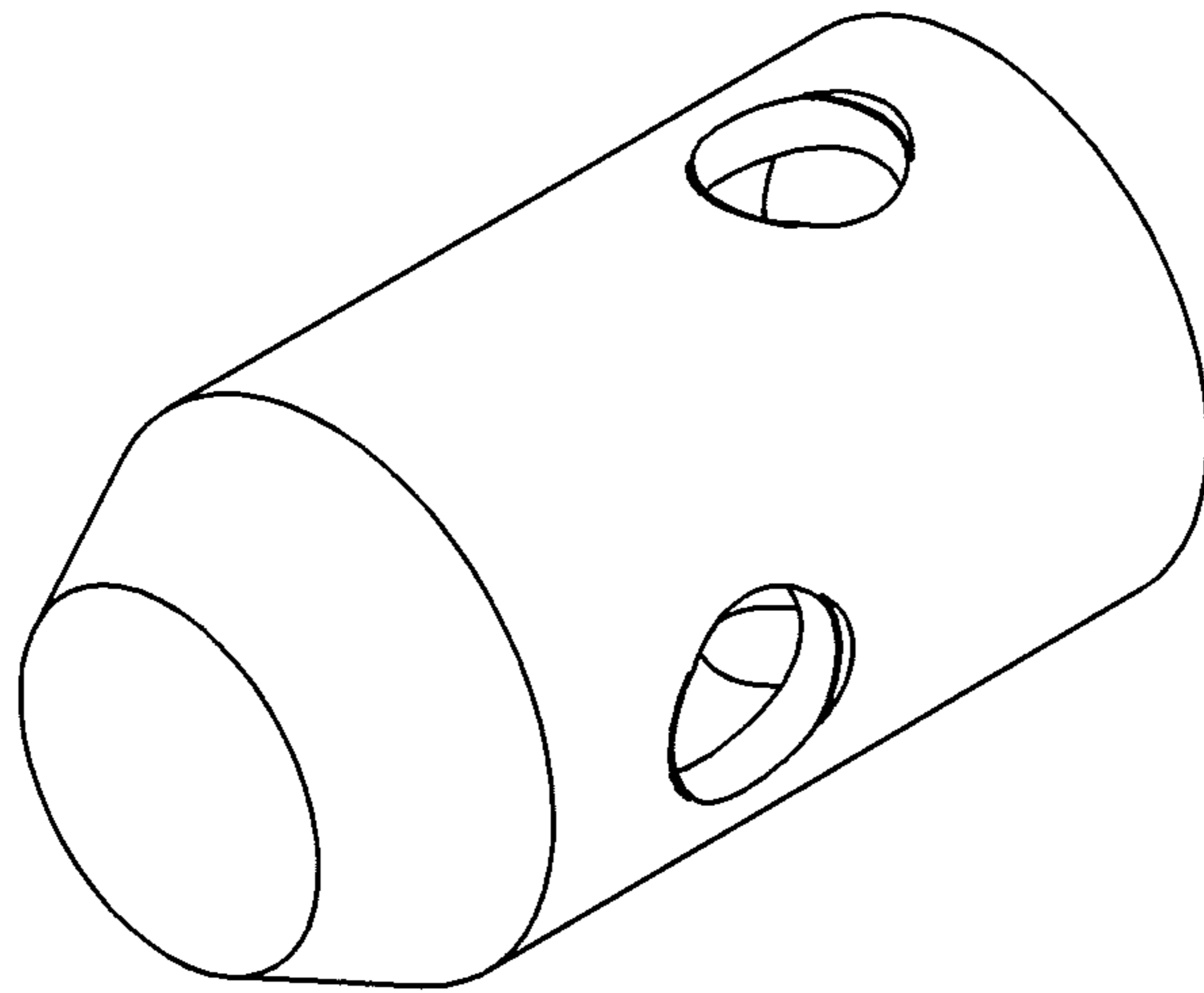


Fig. 1

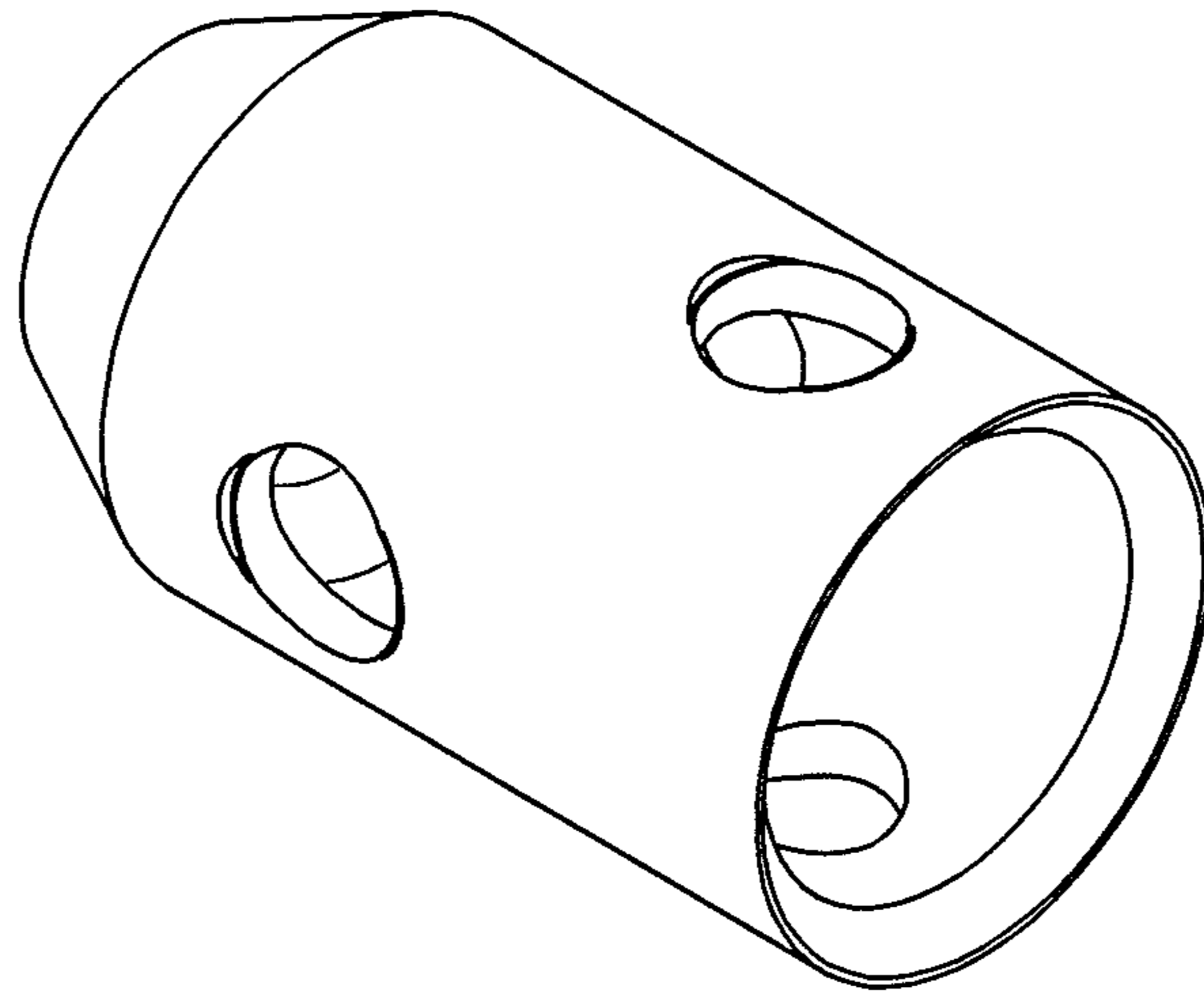


Fig. 2

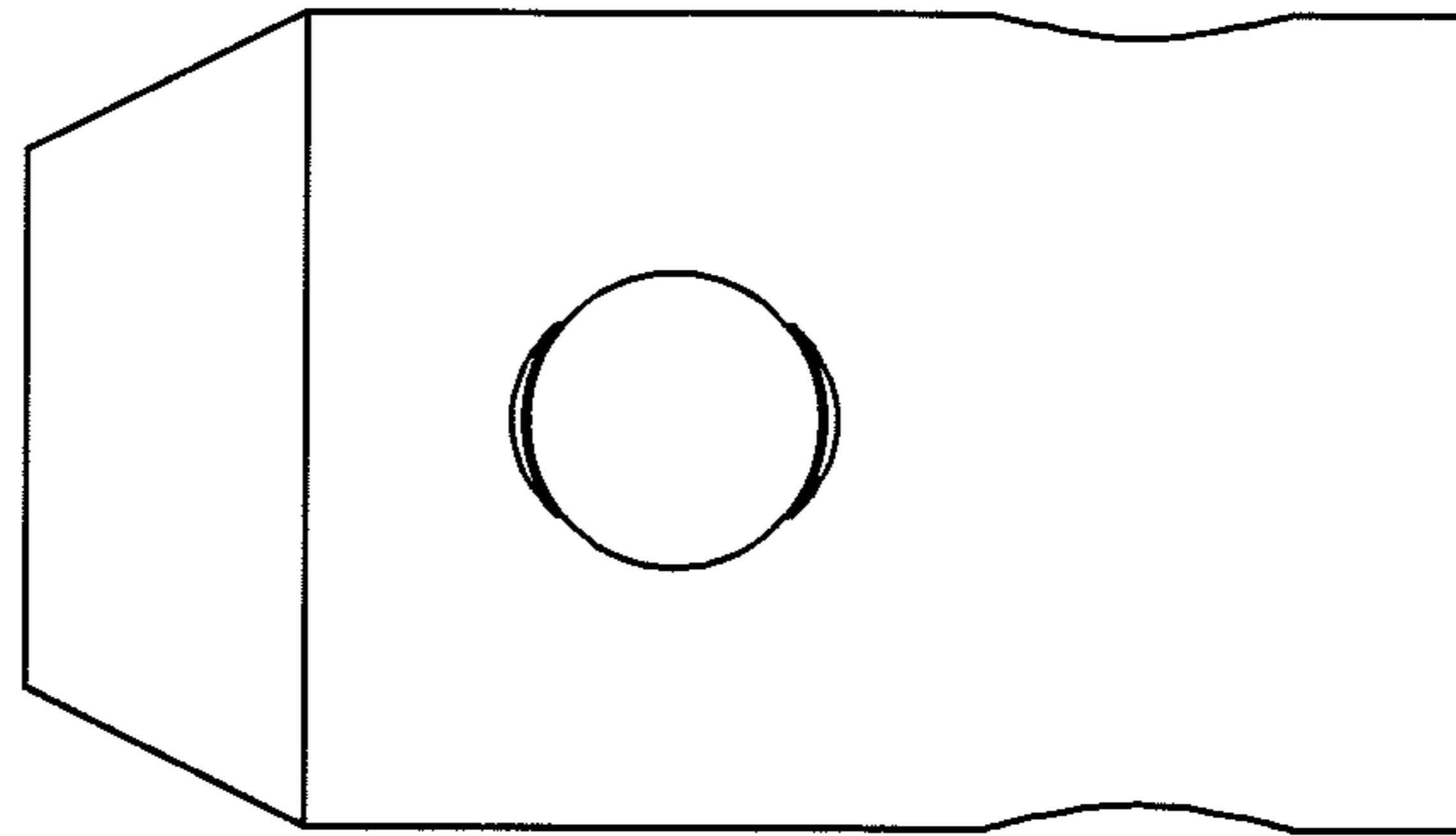


Fig. 3

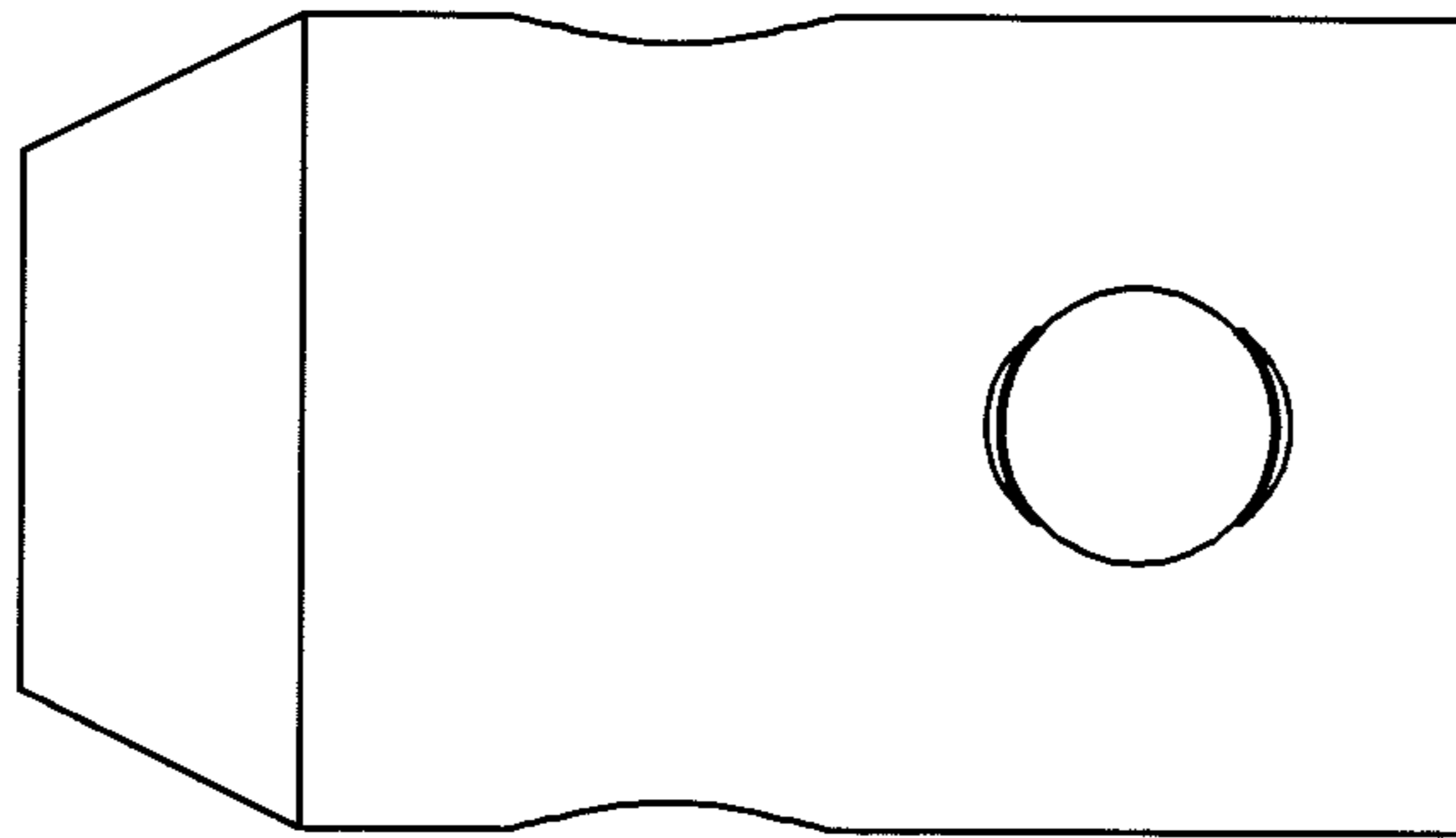


Fig. 4

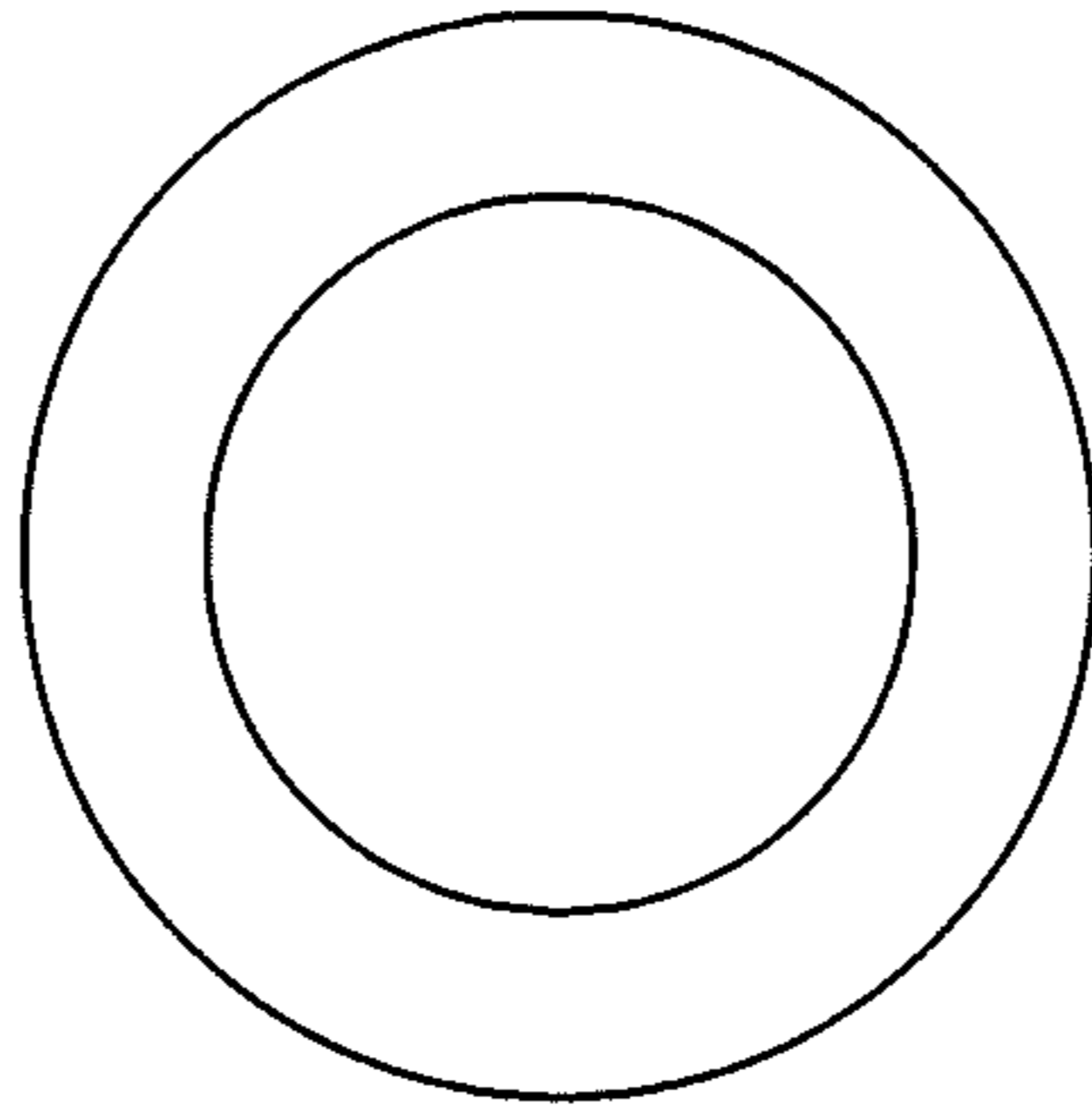


Fig. 5

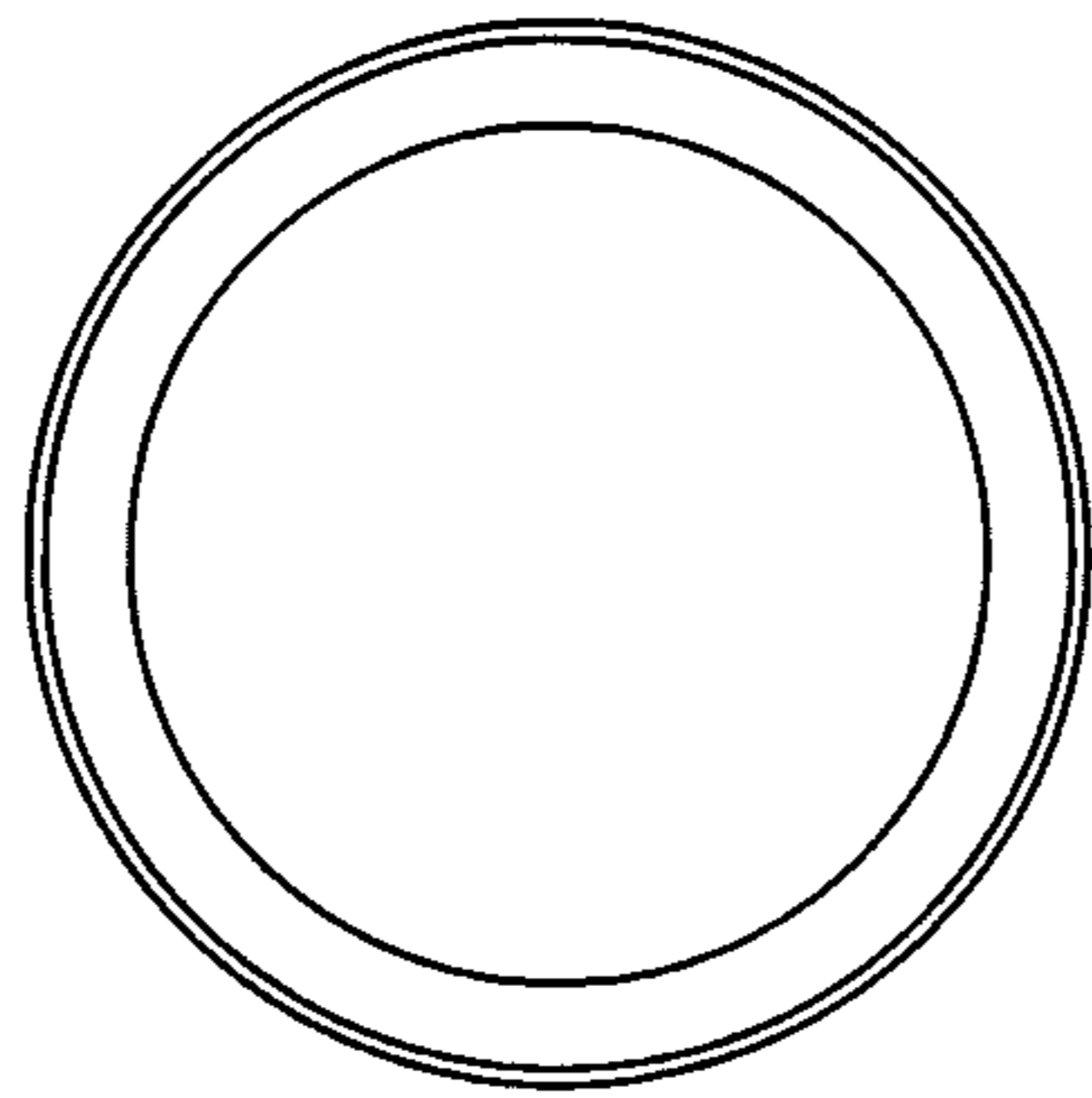


Fig. 6