



US00D744813S

(12) **United States Design Patent**  
**Filo**

(10) **Patent No.:** **US D744,813 S**

(45) **Date of Patent:** **\*\* Dec. 8, 2015**

(54) **3D PRINTER ALIGNMENT INDICATOR**

(71) Applicant: **Andrew Simon Filo**, Cupertino, CA  
(US)

(72) Inventor: **Andrew Simon Filo**, Cupertino, CA  
(US)

(\*\*) Term: **14 Years**

(21) Appl. No.: **29/472,339**

(22) Filed: **Nov. 11, 2013**

(51) **LOC (10) Cl.** ..... **08-05**

(52) **U.S. Cl.**  
USPC ..... **D8/354**

(58) **Field of Classification Search**  
USPC ..... D8/349, 354–356, 363–367, 370–373,  
D8/380, 382, 384, 381; D25/199; 248/215,  
248/465.1, 112, 153, 175, 218.1, 218.2,  
248/302, 303, 121; 33/526, 645  
CPC ..... B23Q 17/2233; F16M 2200/08; F16M  
2200/00  
See application file for complete search history.

(56) **References Cited**

**U.S. PATENT DOCUMENTS**

604,215 A \* 5/1898 Quarry ..... 160/351  
1,403,865 A \* 1/1922 Pritchett et al. .... 74/105  
2,890,801 A \* 6/1959 Ladd et al. .... 211/59.1  
2,930,135 A \* 3/1960 Rodtz, Sr. .... 33/518

3,513,986 A \* 5/1970 Schi et al. .... 211/1  
3,637,179 A \* 1/1972 Marschak ..... 248/188.7  
3,863,876 A \* 2/1975 Finkelstein et al. .... 248/188.7  
3,897,724 A \* 8/1975 McDonald ..... 100/34  
4,159,096 A \* 6/1979 Chase ..... 248/523  
4,763,866 A \* 8/1988 Sinchok ..... 248/188.7  
4,846,353 A \* 7/1989 Knight et al. .... 211/22  
4,919,368 A \* 4/1990 Garrett ..... 248/121  
5,031,683 A \* 7/1991 Marvy et al. .... 160/351  
5,201,130 A \* 4/1993 Krchnak ..... 33/526  
D361,444 S \* 8/1995 Egan ..... D6/415  
5,527,010 A \* 6/1996 Kao ..... 248/519  
6,386,491 B1 \* 5/2002 Bissett ..... 248/121  
8,336,279 B2 \* 12/2012 Kufner et al. .... 52/749.11

\* cited by examiner

*Primary Examiner* — Elizabeth Albert

(74) *Attorney, Agent, or Firm* — Haverstock & Owens LLP

(57) **CLAIM**

The ornamental design for a 3D printer alignment indicator, as shown and described.

**DESCRIPTION**

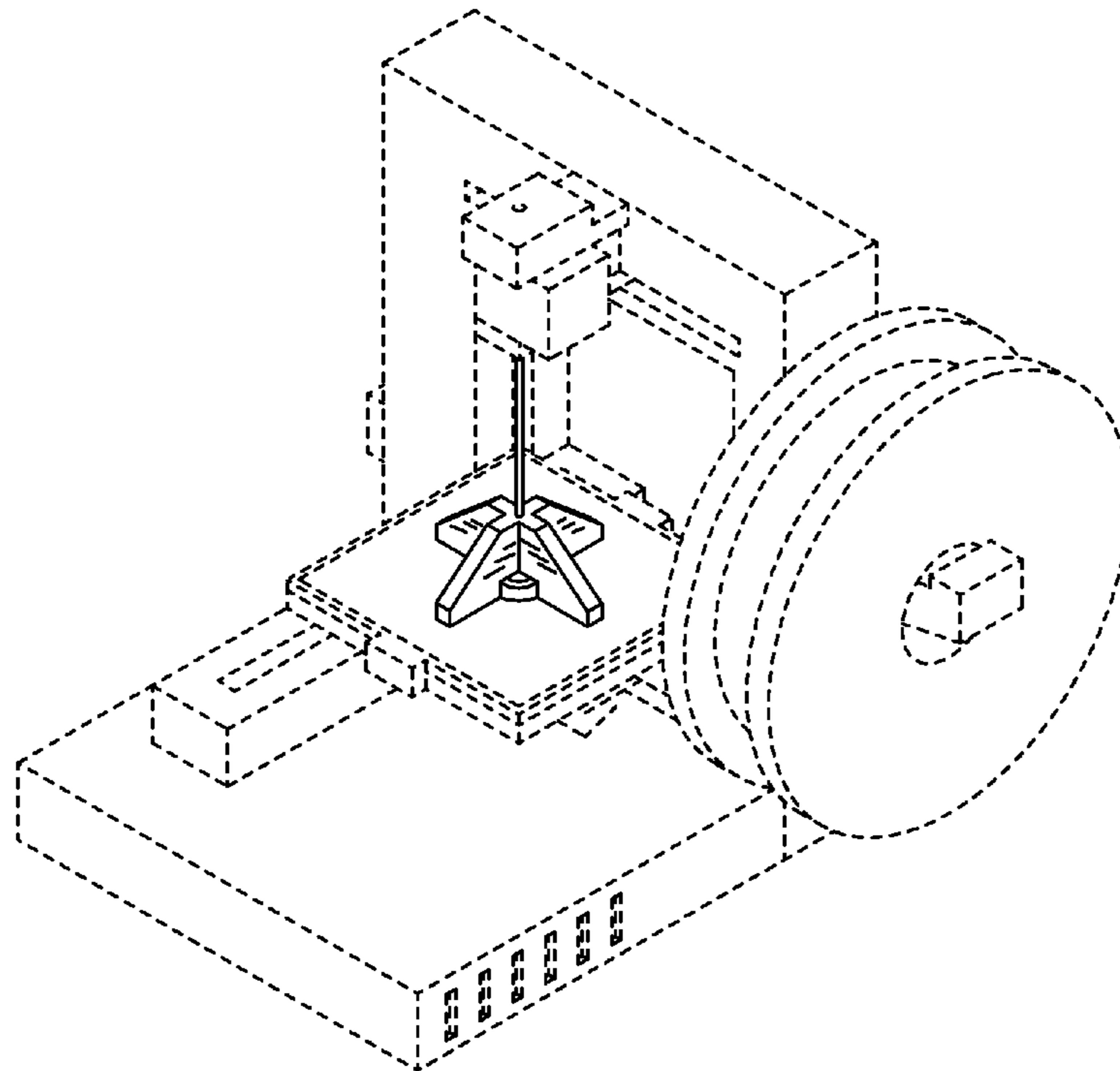
FIG. 1 is a perspective view of the 3D printer alignment indicator in use;

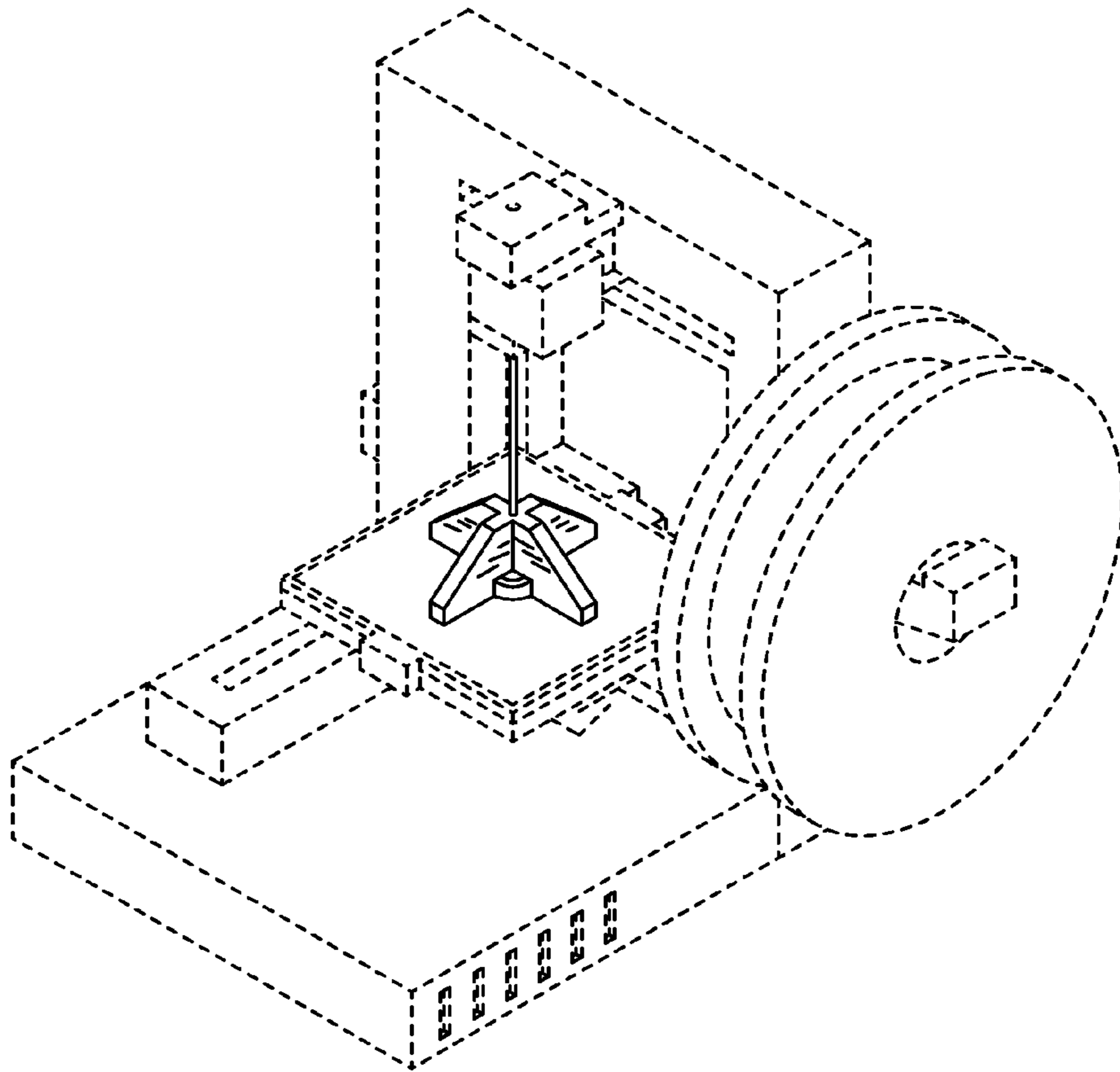
FIG. 2 is an elevation view of the 3D printer alignment indicator; and,

FIG. 3 is a top view of the 3D printer alignment indicator.

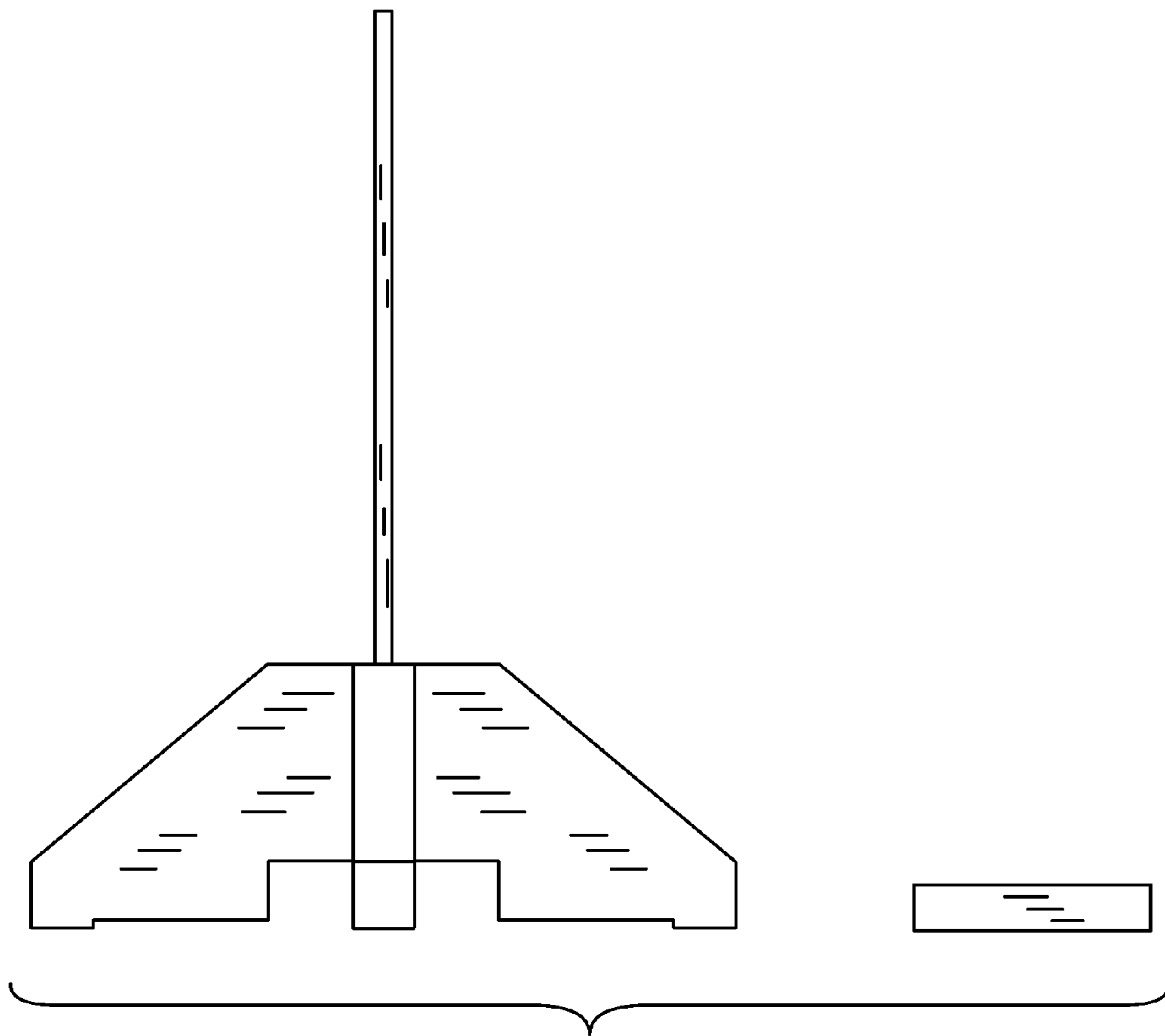
The broken lines in the drawings are included for the purpose of showing environmental matter that forms no part of the claimed design.

**1 Claim, 3 Drawing Sheets**

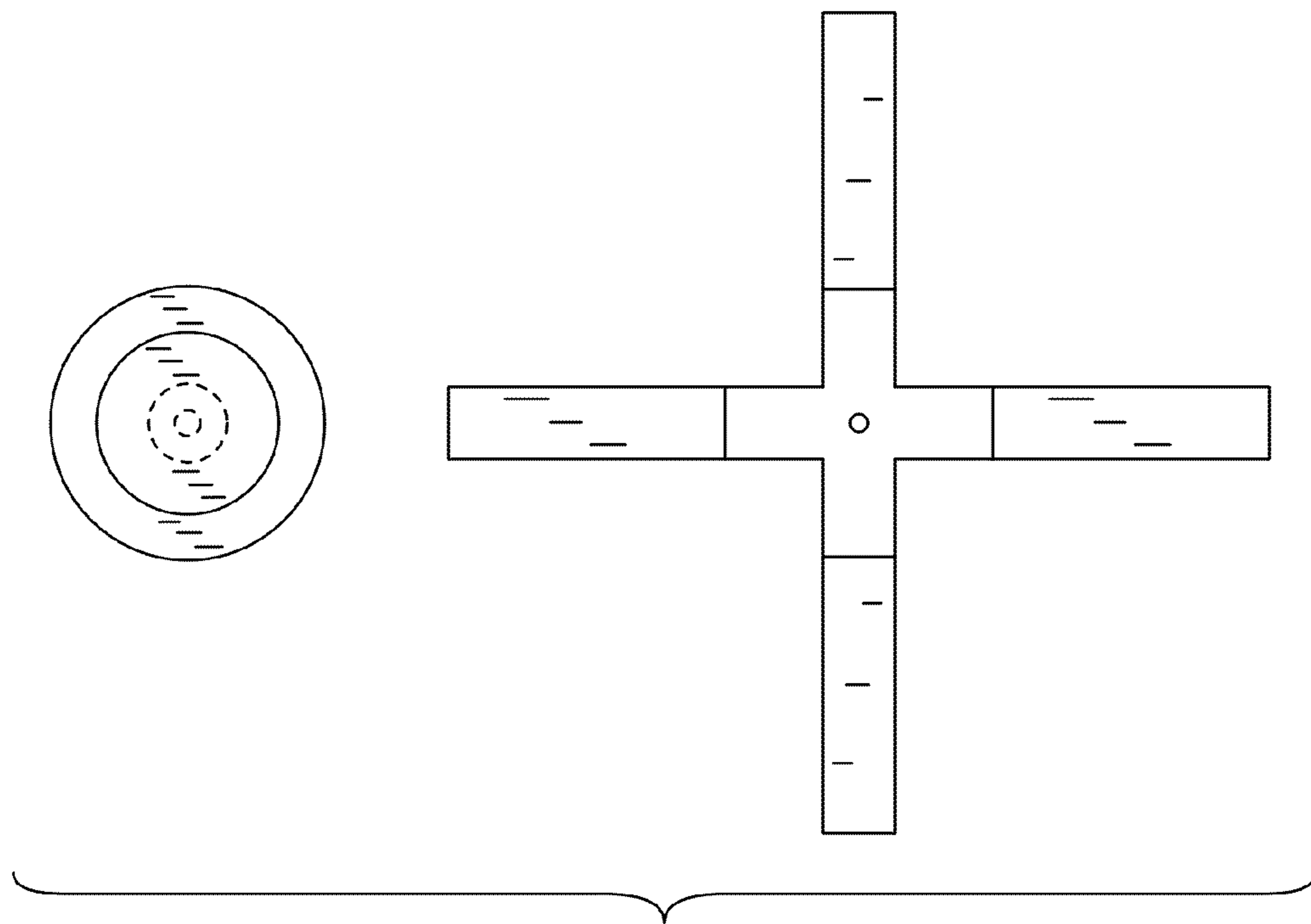




**FIGURE 1**



**FIGURE 2**



**FIGURE 3**