



US00D744812S

(12) **United States Design Patent**
Wilson

(10) **Patent No.:** **US D744,812 S**
(45) **Date of Patent:** **** Dec. 8, 2015**

(54) **COMPONENT STAND KIT**

(71) Applicant: **Robert H. Wilson**, Austin, TX (US)

(72) Inventor: **Robert H. Wilson**, Austin, TX (US)

(**) Term: **14 Years**

(21) Appl. No.: **29/455,057**

(22) Filed: **May 16, 2013**

(51) **LOC (10) Cl.** **08-08**

(52) **U.S. Cl.**
USPC **D8/349**

(58) **Field of Classification Search**
USPC D6/708, 708.16; D14/209.1, 217, 229;
D23/259, 262, 263; D16/242, 244,
D16/245; D8/330, 349, 354, 373, 382, 499
CPC A47B 2220/11; F16L 21/00; F16L 41/03;
F16M 11/02; F16M 11/04; F16M 11/041;
F16M 11/16; F16M 11/26; F16M 11/38;
G03B 17/56; G03B 17/561; E04B 1/19;
E04B 1/321; E04B 15/18
See application file for complete search history.

(56) **References Cited**

U.S. PATENT DOCUMENTS

D135,634	S	5/1943	Stark et al.	
D170,240	S *	8/1953	Raylor	D8/396
D211,905	S *	8/1968	Goodridge	D8/396
4,365,910	A	12/1982	Ford	
4,509,879	A	4/1985	Pearce	
4,692,054	A	9/1987	Kirby	
4,822,199	A	4/1989	Nehls	
D331,798	S	12/1992	Klingbyle	
D354,801	S	1/1995	Grant et al.	
5,568,993	A	10/1996	Potzick	
D414,962	S *	10/1999	Welsh	D6/682
6,127,612	A *	10/2000	Yu	84/327
D435,365	S *	12/2000	Eason et al.	D6/681
6,324,800	B1	12/2001	Valentz et al.	
D462,751	S *	9/2002	Streetman	D23/262
6,688,068	B2	2/2004	Osterberg	

6,725,971	B1	4/2004	Bair	
6,810,820	B1	11/2004	Okerlund et al.	
D570,618	S *	6/2008	Tai	D14/229
D584,904	S *	1/2009	Zarelius	D6/708.16
7,661,240	B2	2/2010	Sargent	
7,780,371	B2	8/2010	Daubner	
D627,150	S *	11/2010	Chao	D3/17
D650,888	S	12/2011	Moretto	
2008/0168883	A1 *	7/2008	Chen	84/327
2008/0277540	A1	11/2008	Heibel	
2009/0113816	A1	5/2009	Kling	
2009/0236848	A1	9/2009	Foreman et al.	
2010/0208477	A1	8/2010	Chambers	
2010/0282926	A1 *	11/2010	Shen	248/179.1
2012/0298162	A1	11/2012	Zeigler	
2014/0167404	A1 *	6/2014	Wilson	285/61
2015/0076296	A1 *	3/2015	Yang	248/163.2

* cited by examiner

Primary Examiner — Thomas Johannes
Assistant Examiner — Shawn T Gingrich
(74) *Attorney, Agent, or Firm* — Kammer Browning PLLC

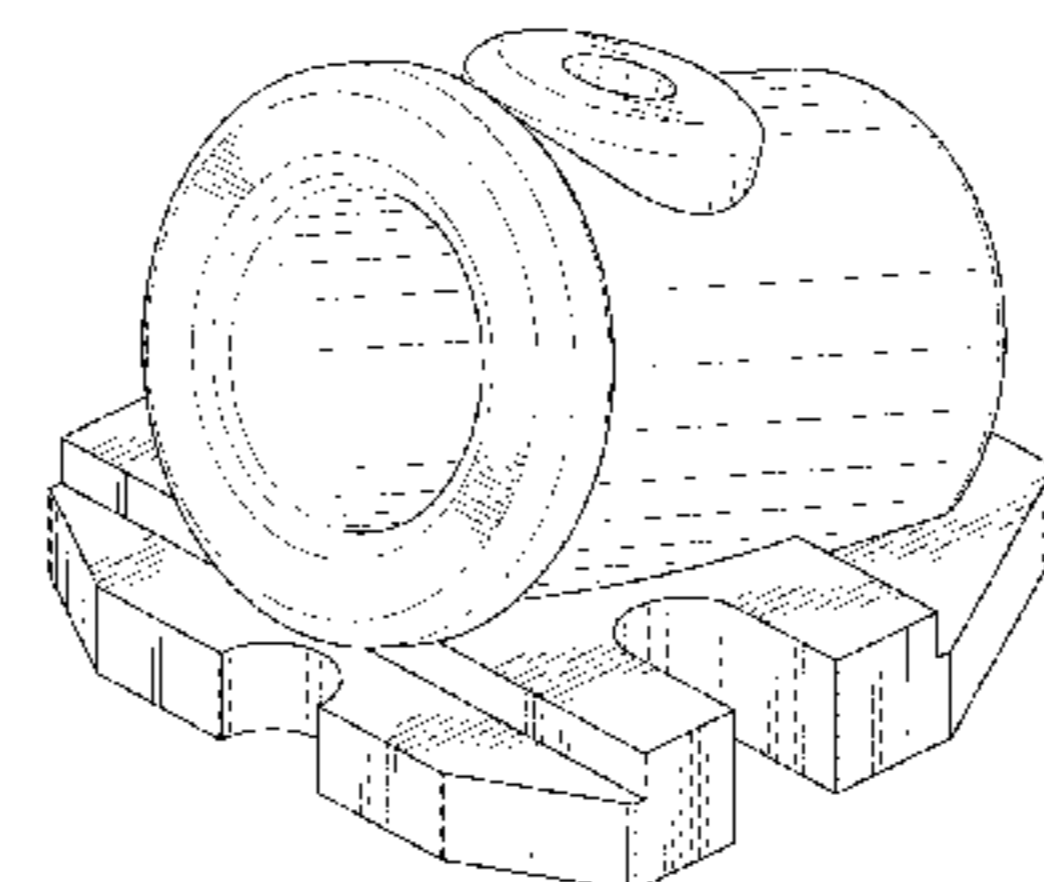
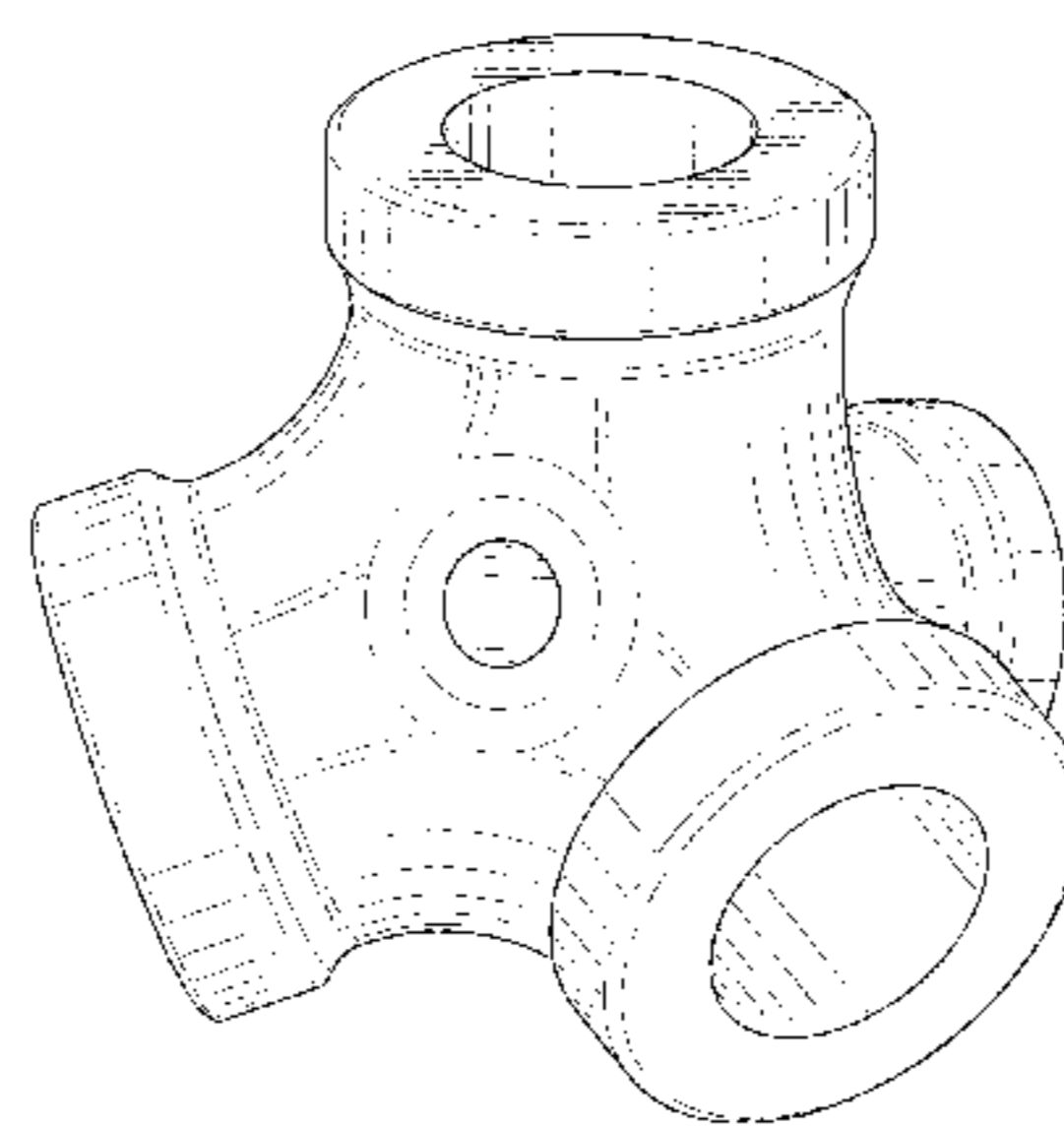
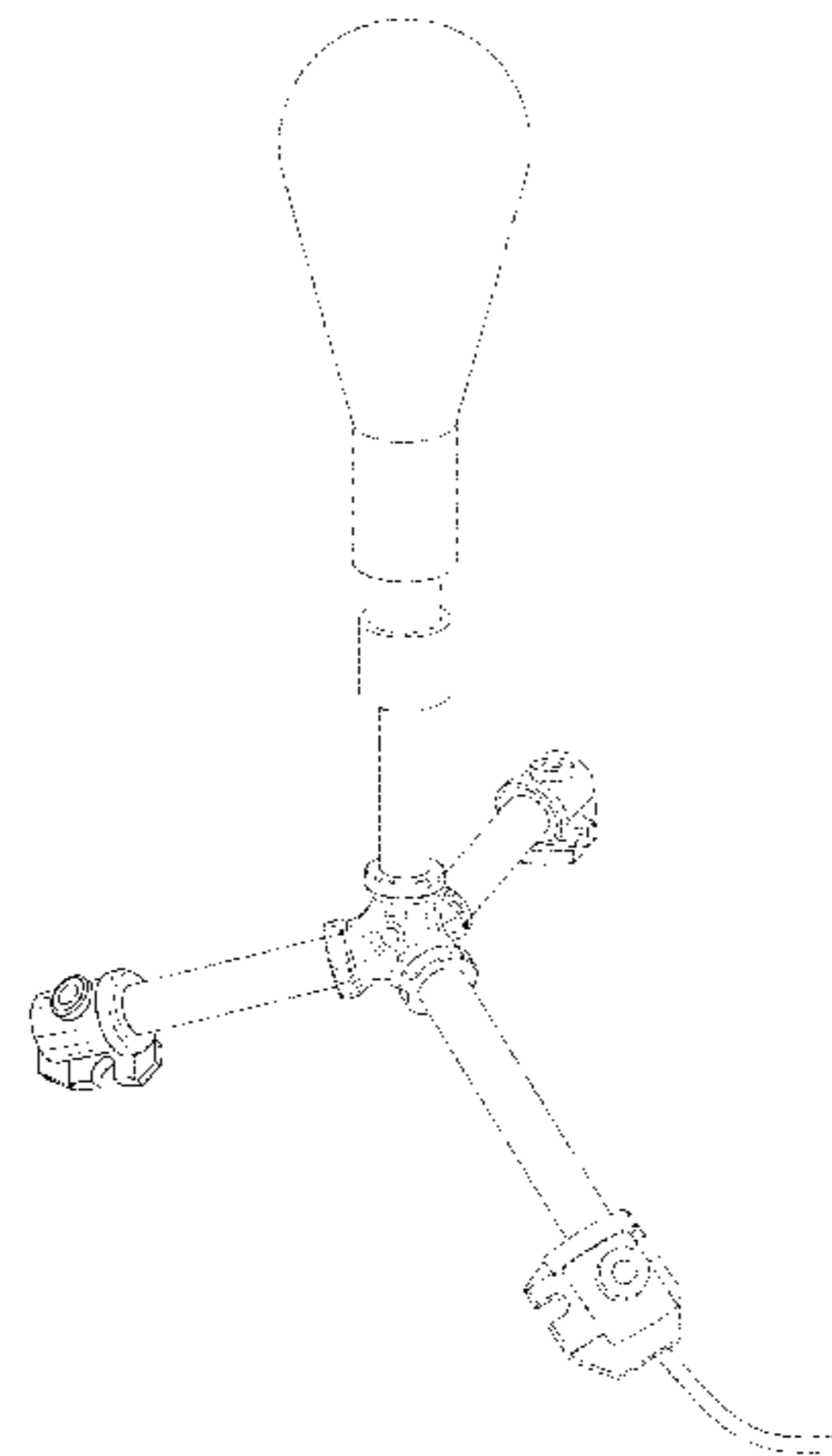
(57) **CLAIM**

The ornamental design for a component stand kit, as shown and described.

DESCRIPTION

FIG. 1 is a perspective view of a component stand kit showing my new design, in an environment of use;
FIG. 2 is a perspective view of the core component and the peripheral component of the component stand kit shown in FIG. 1;
FIG. 3 is a front elevational view thereof;
FIG. 4 is a rear elevational view thereof;
FIG. 5 is a first side elevational view thereof;
FIG. 6 is a second side elevational view thereof;
FIG. 7 is a top plan view thereof; and,
FIG. 8 is a bottom plan view.
The broken line portion of the figure drawings is included to show unclaimed subject matter only and forms no part of the claimed design.

1 Claim, 8 Drawing Sheets



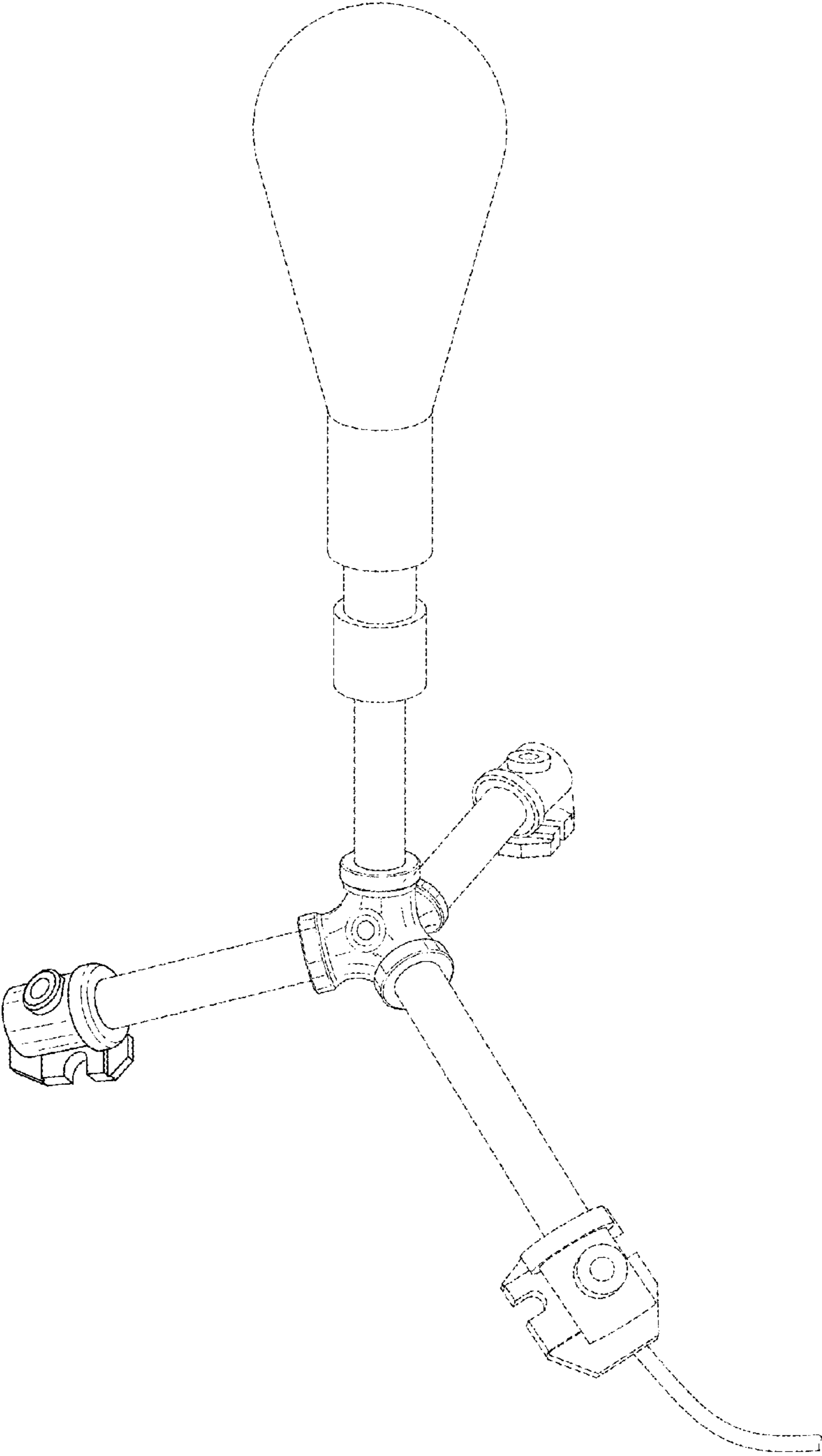


FIG. 1

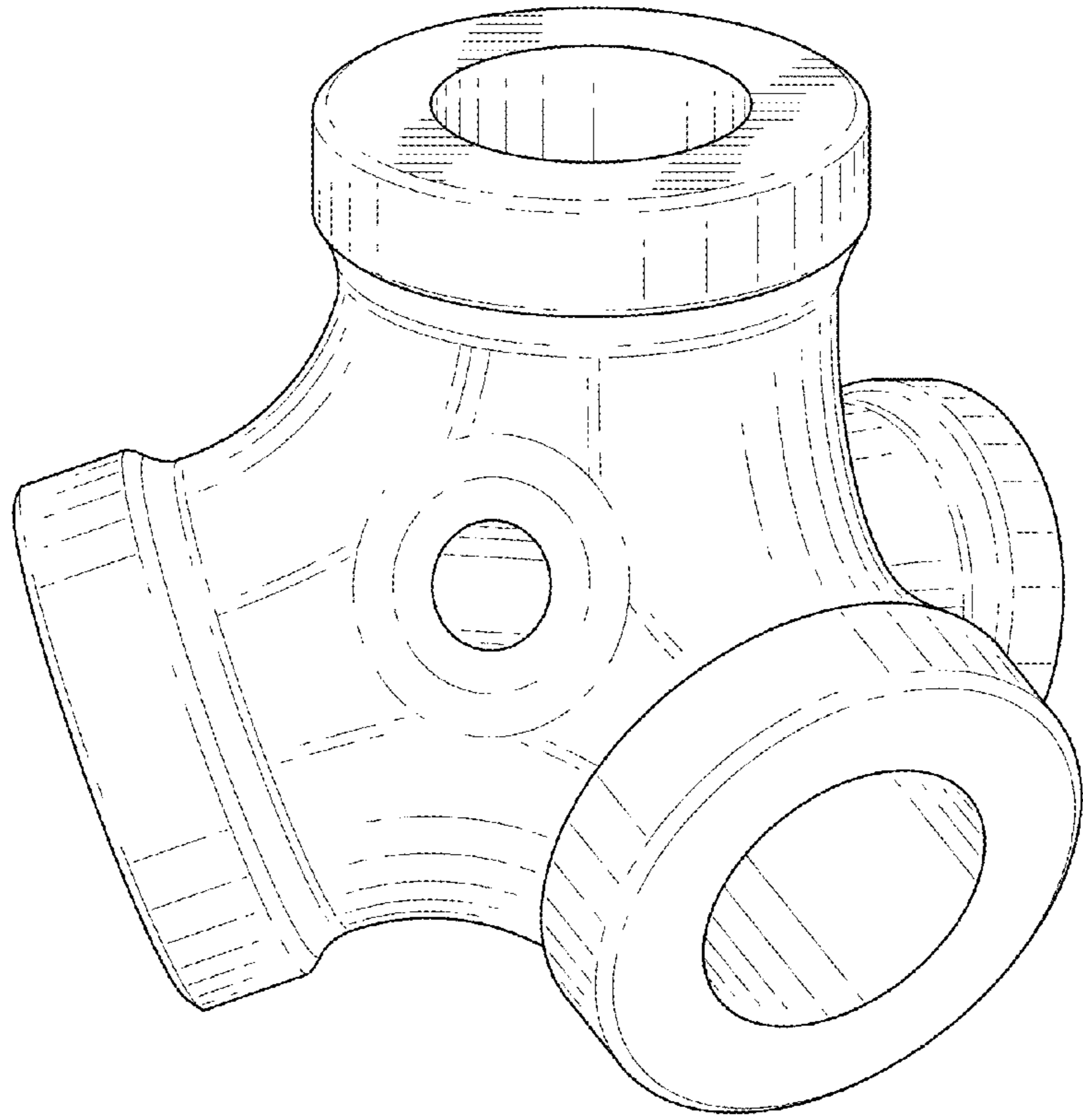
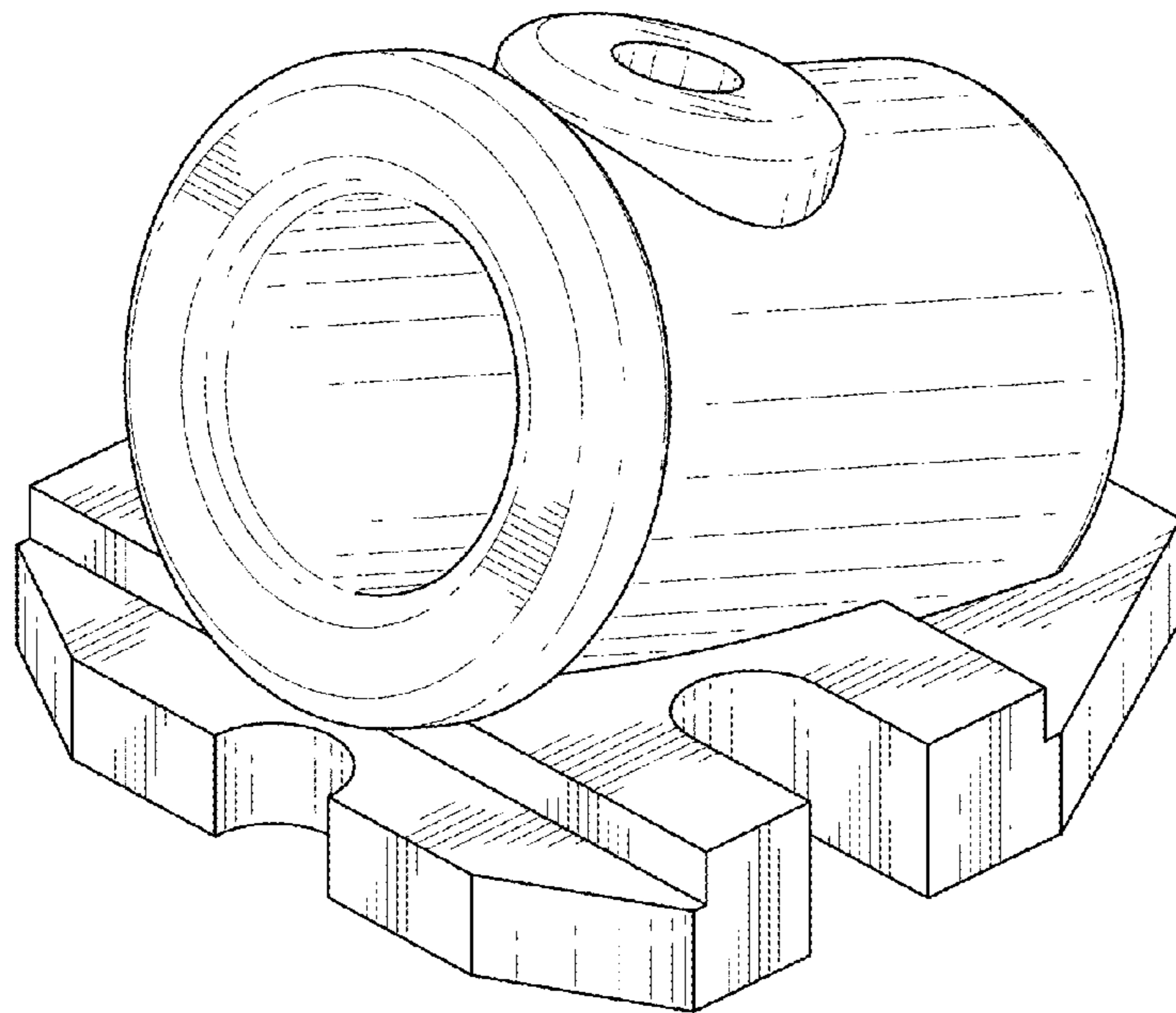


FIG. 2



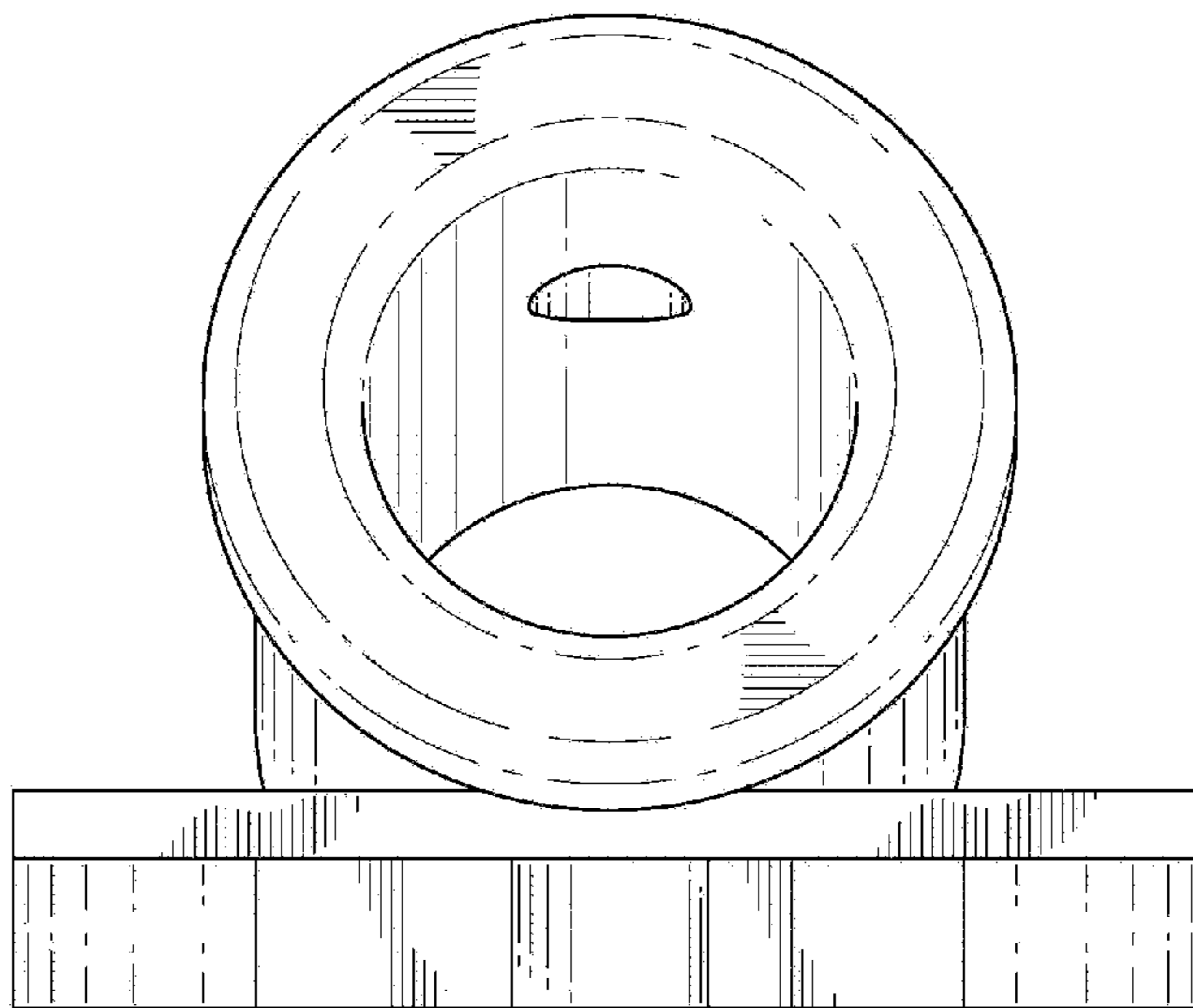
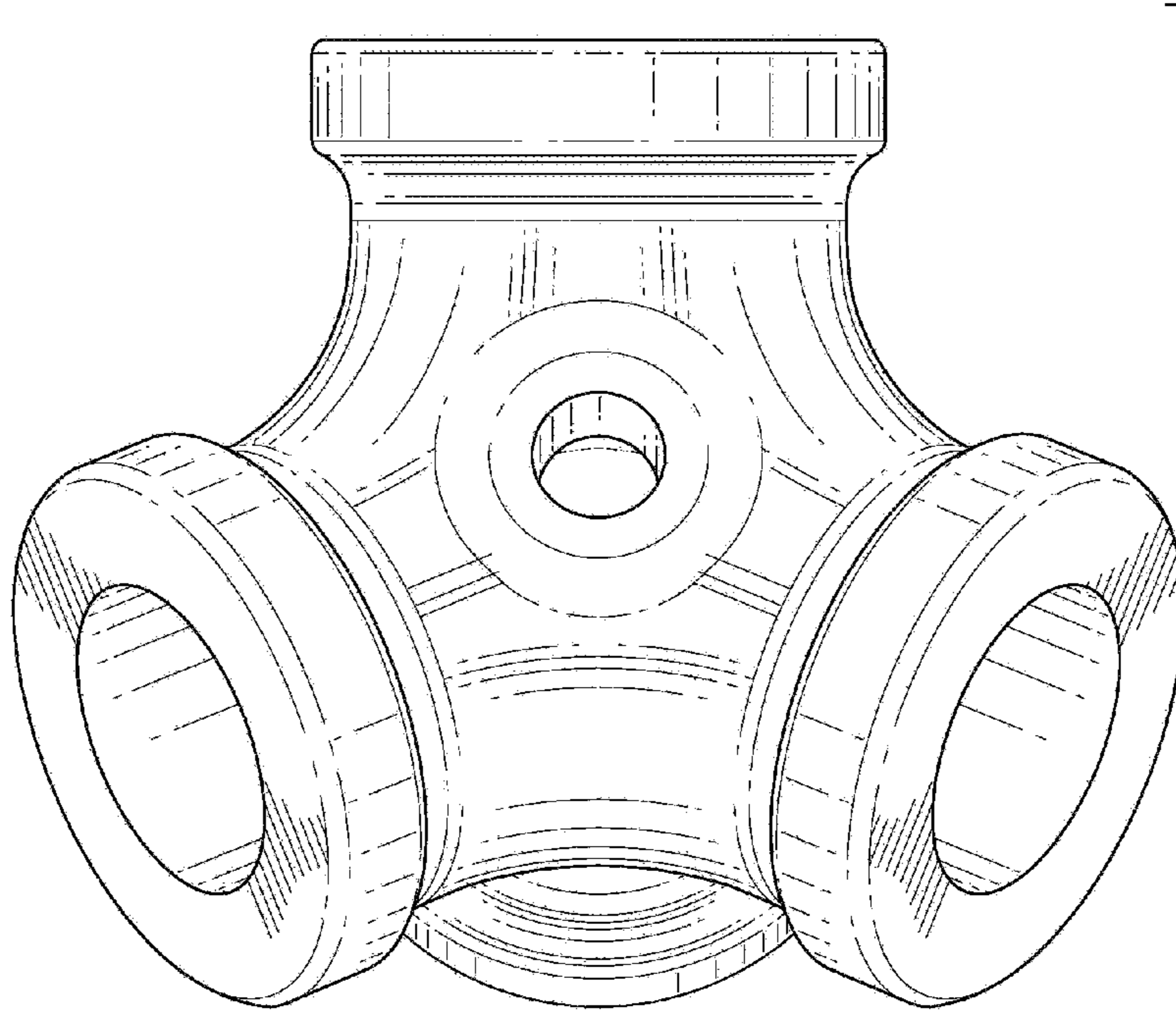


FIG.3

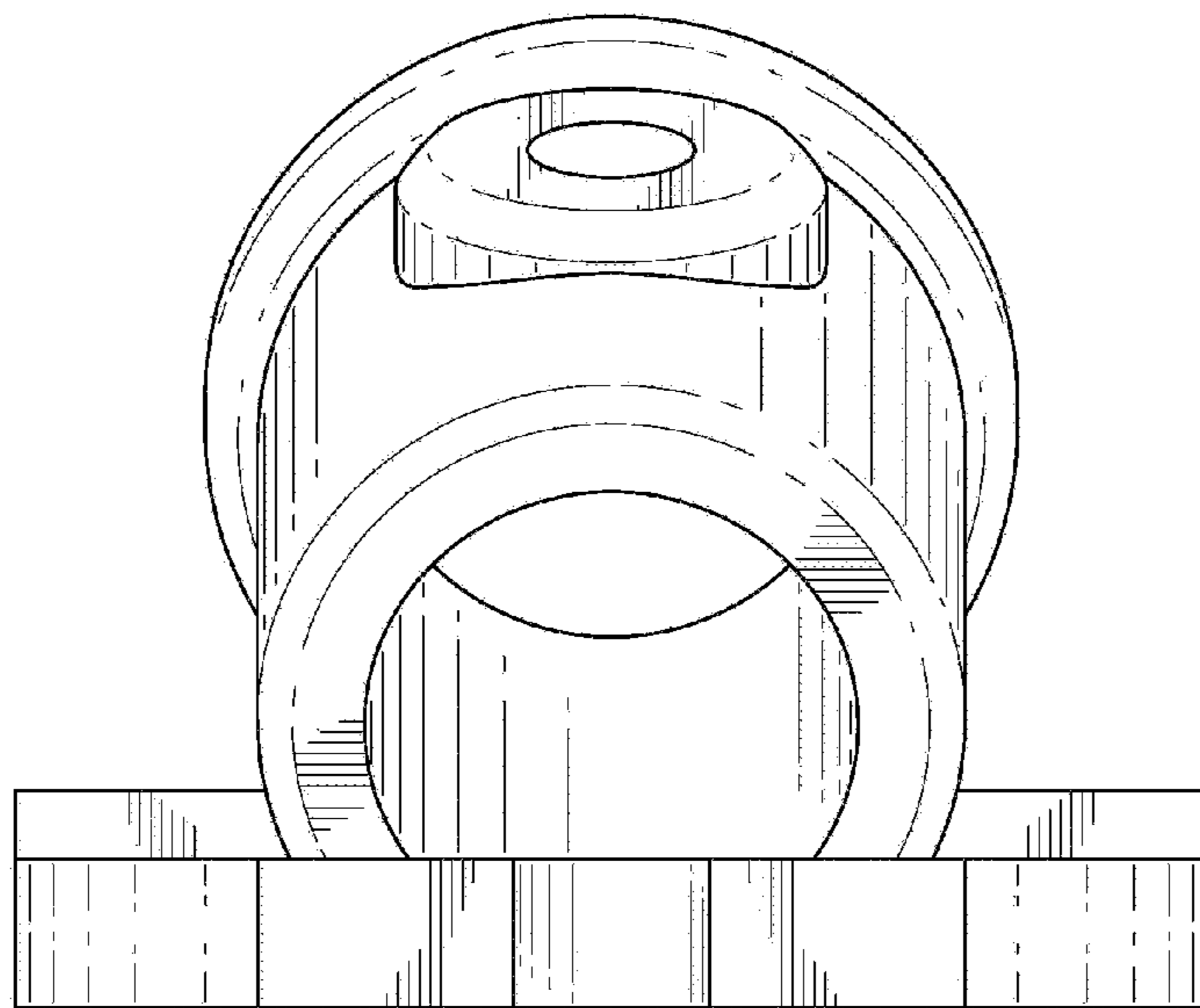
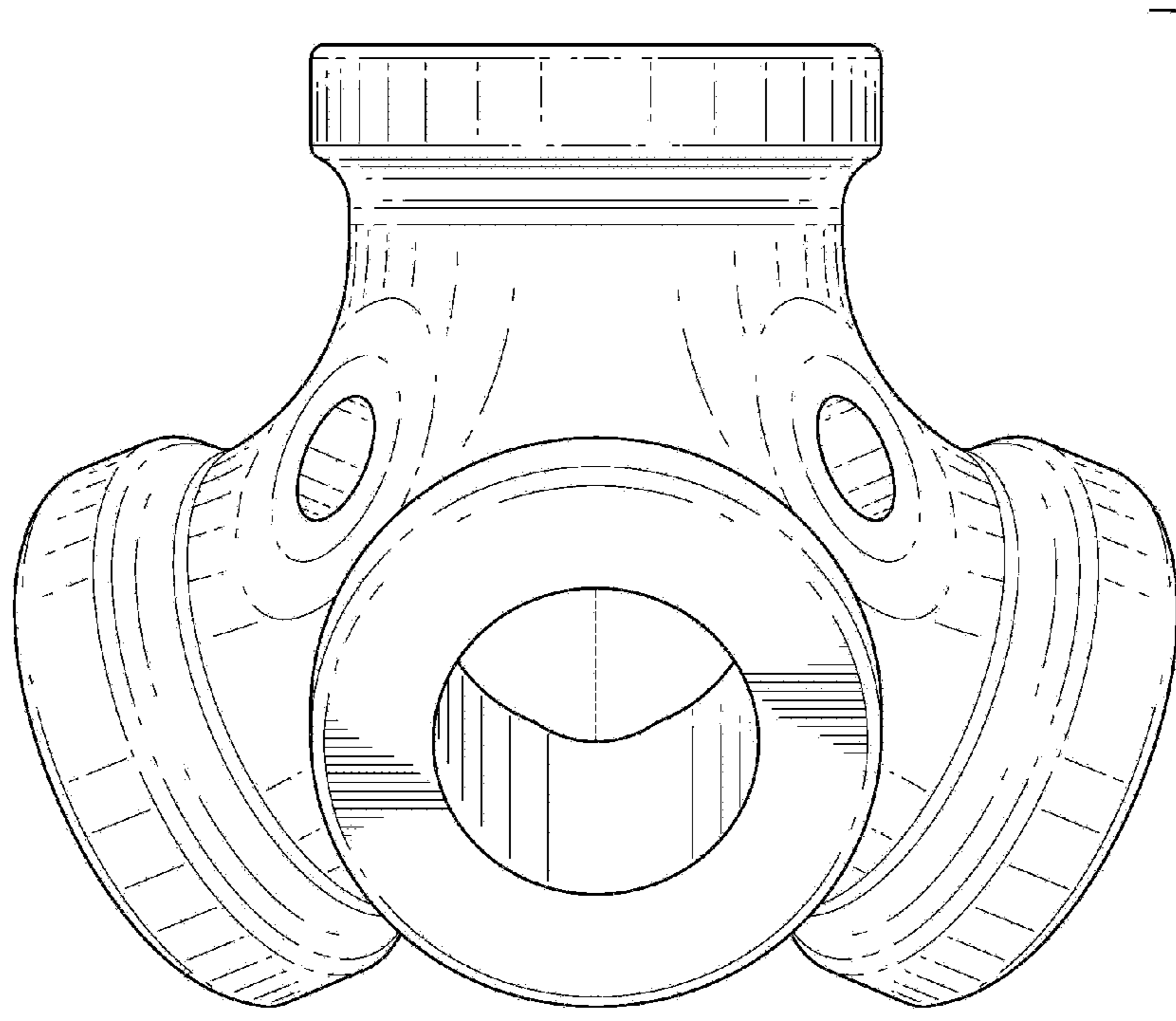


FIG.4

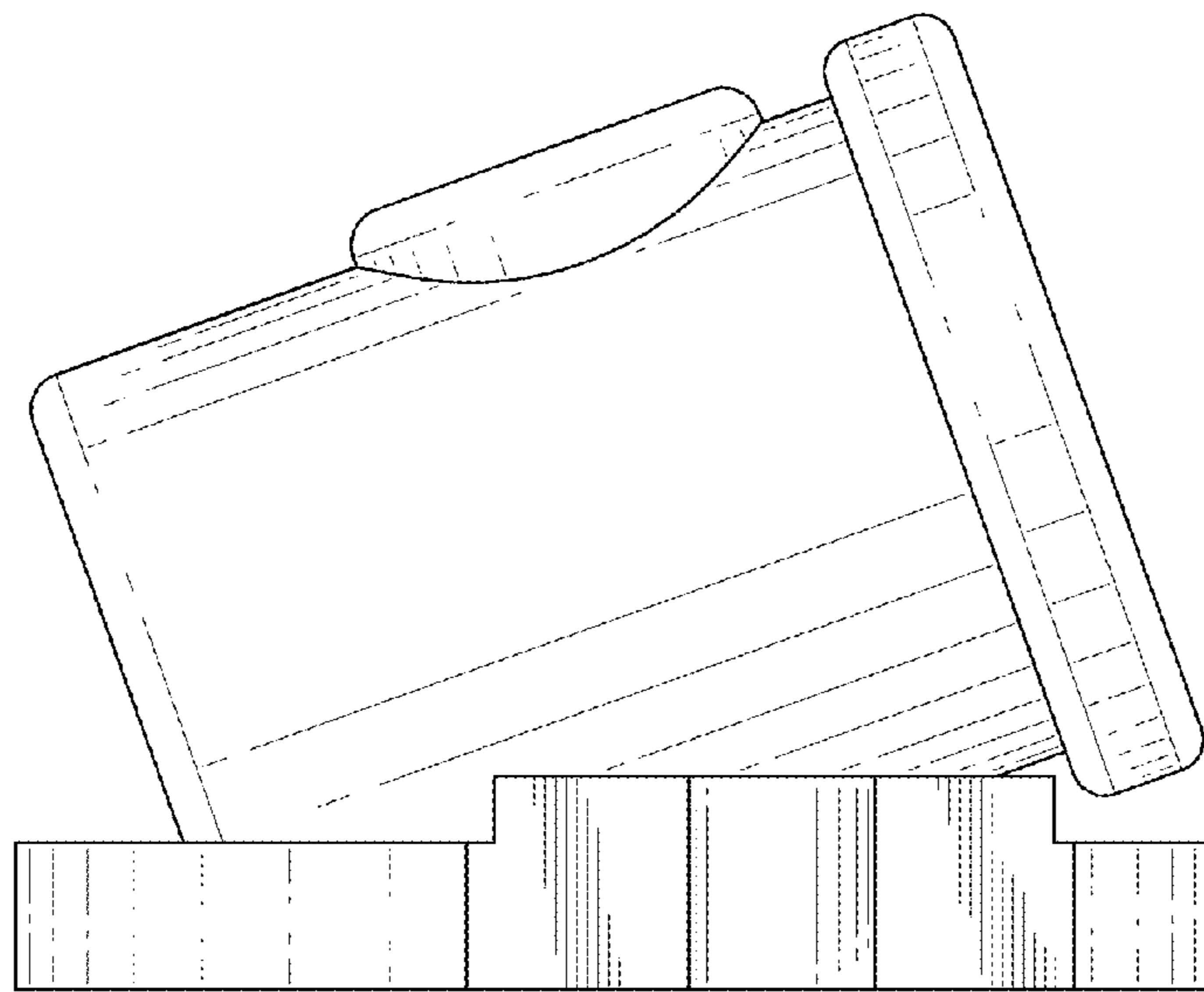
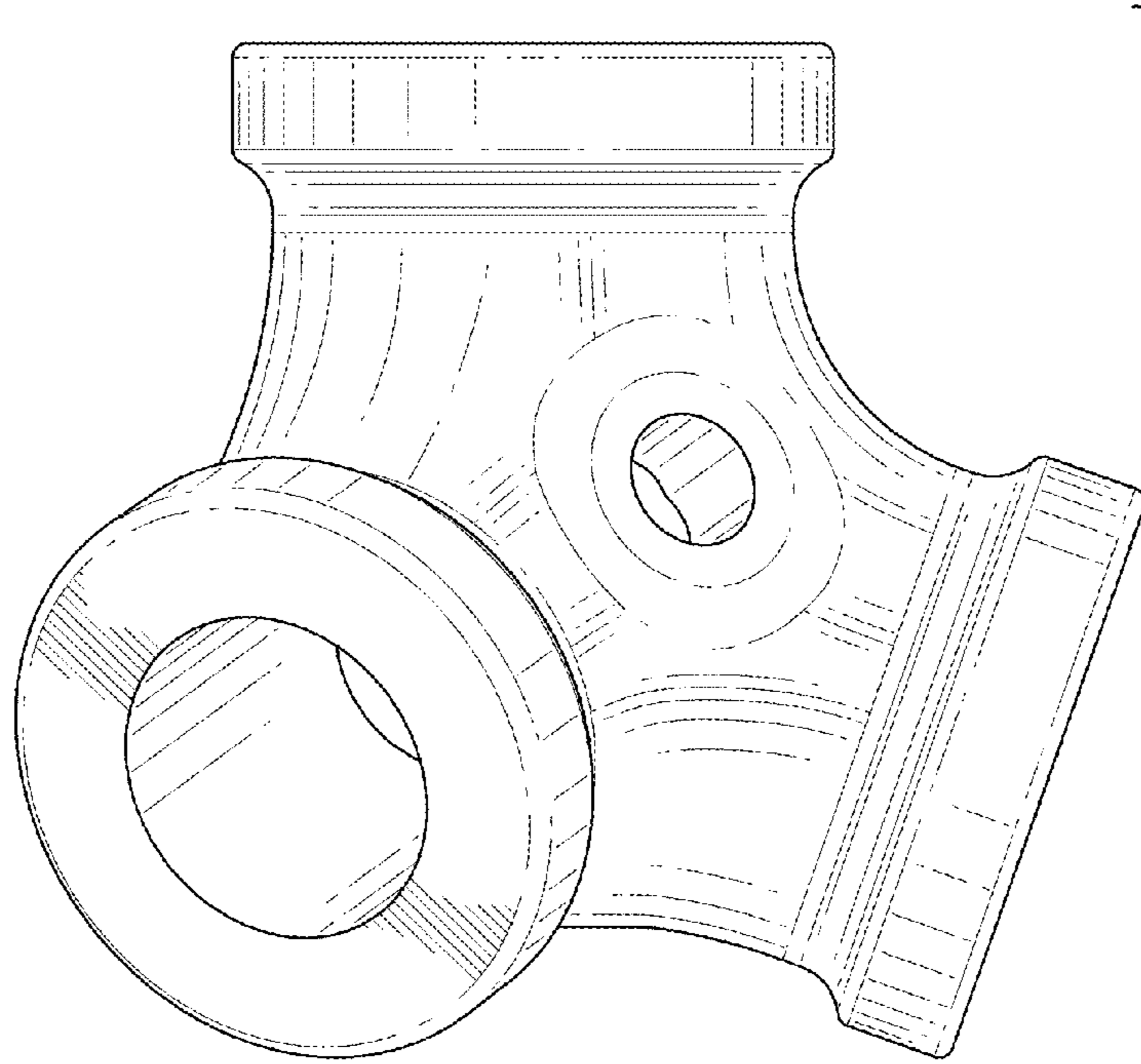


FIG. 5

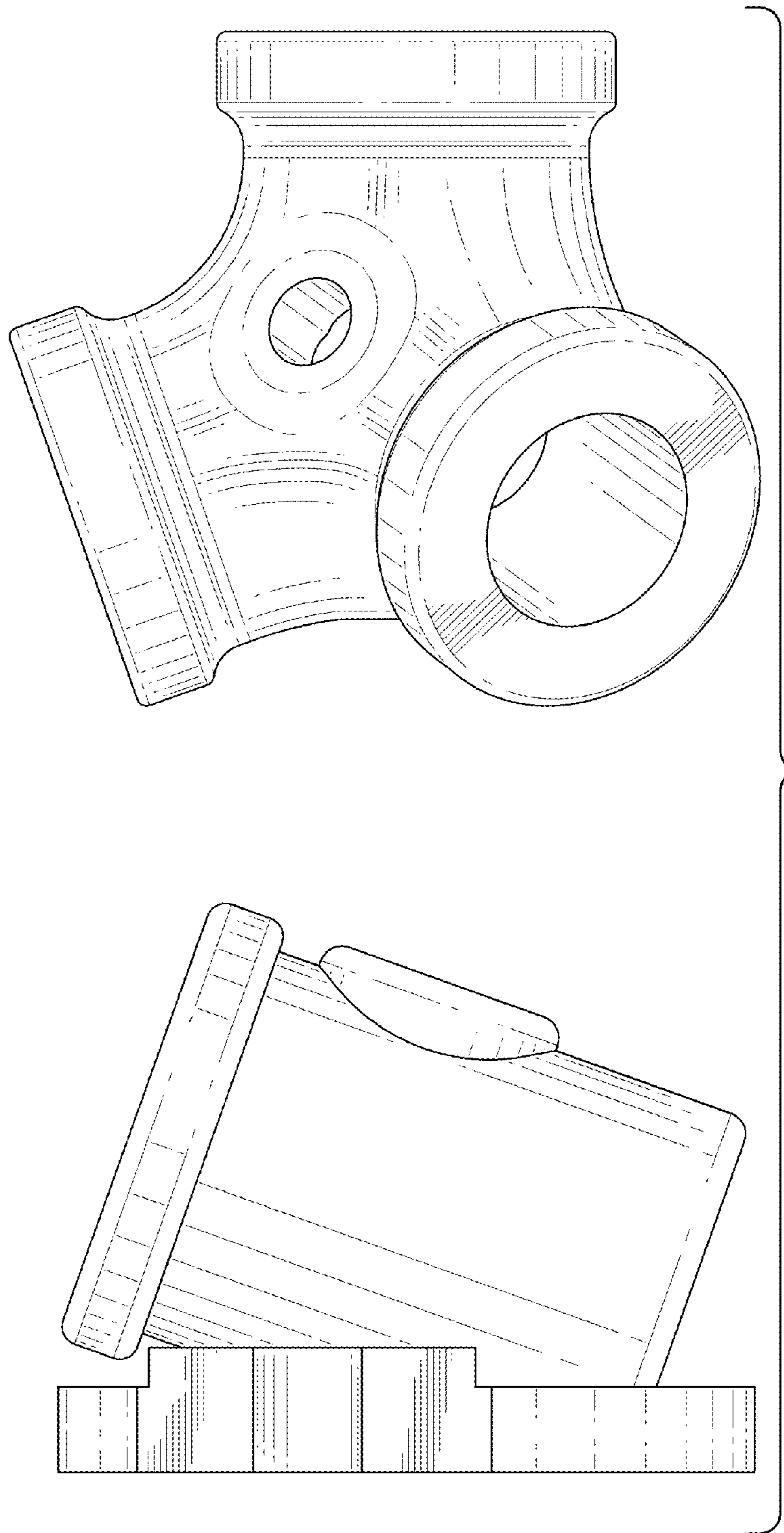


FIG.6

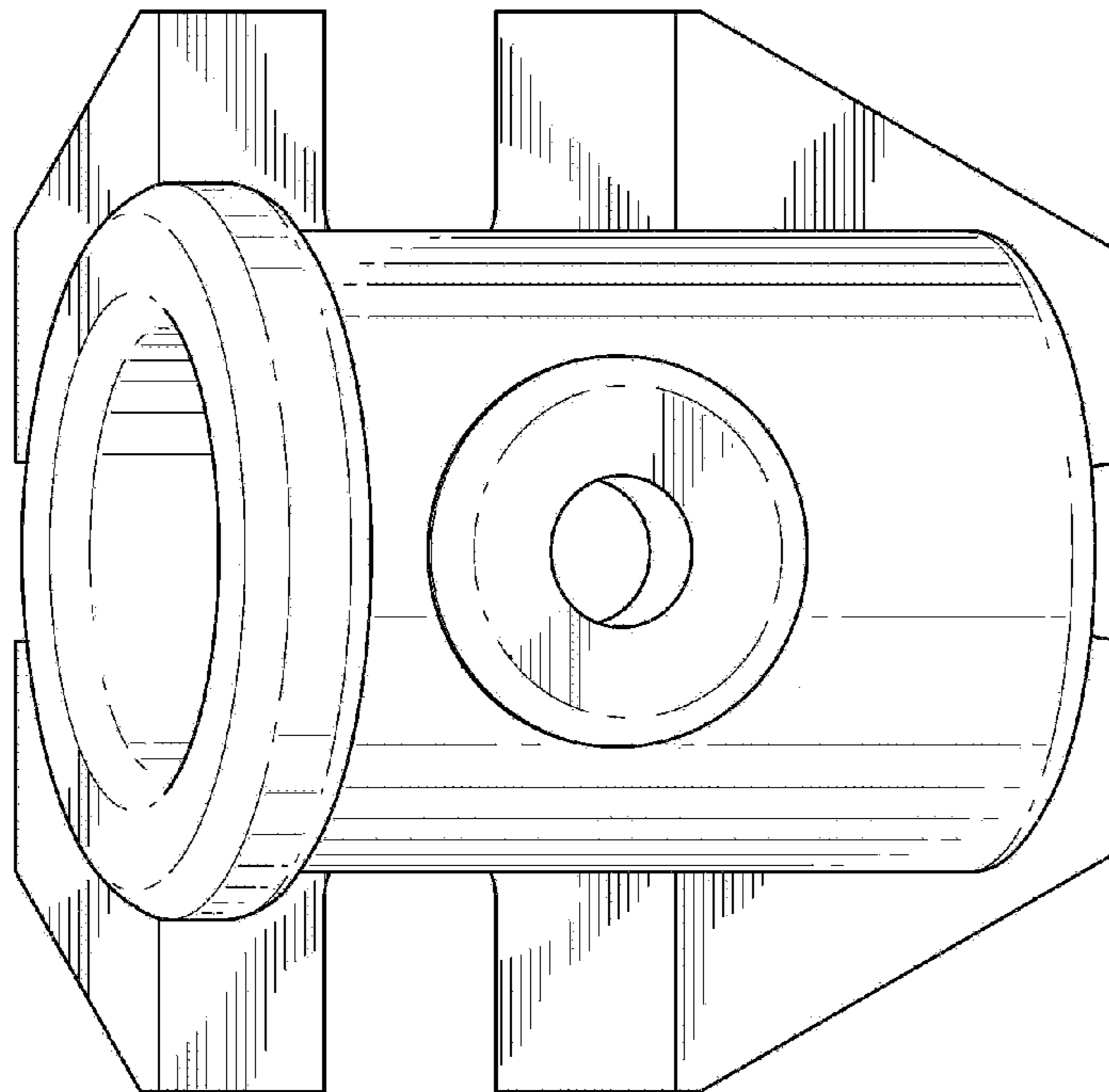
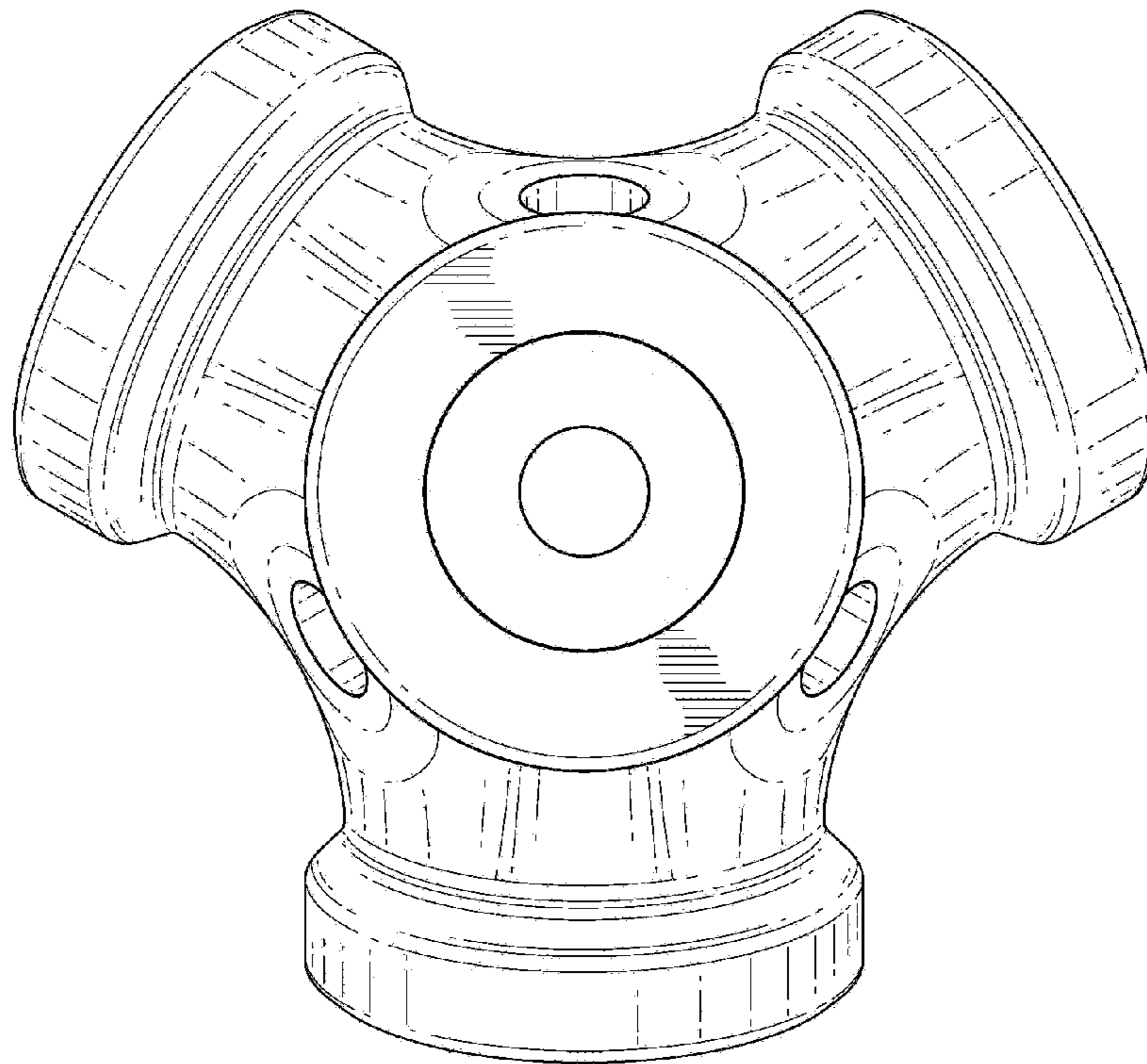


FIG. 7

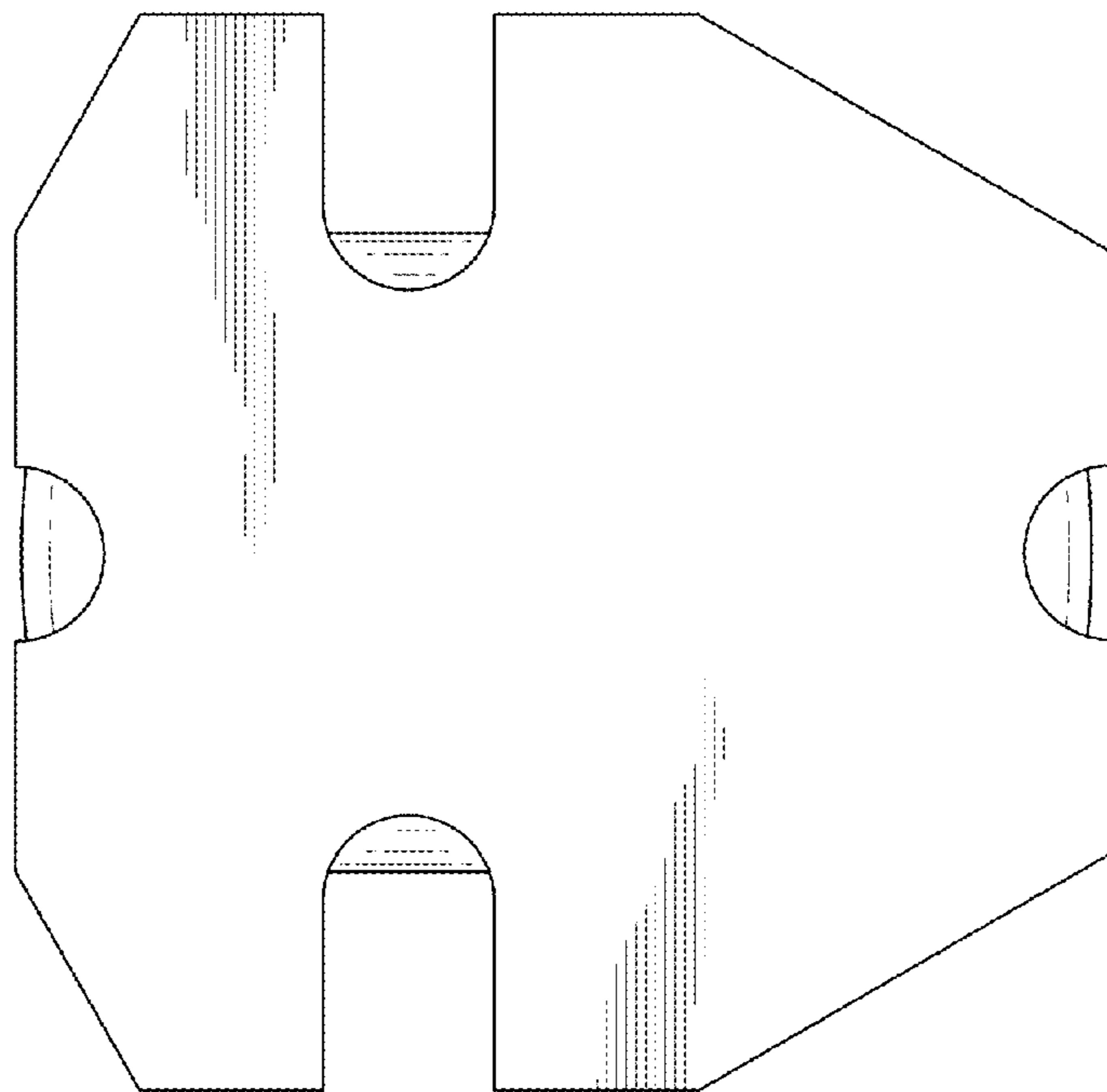
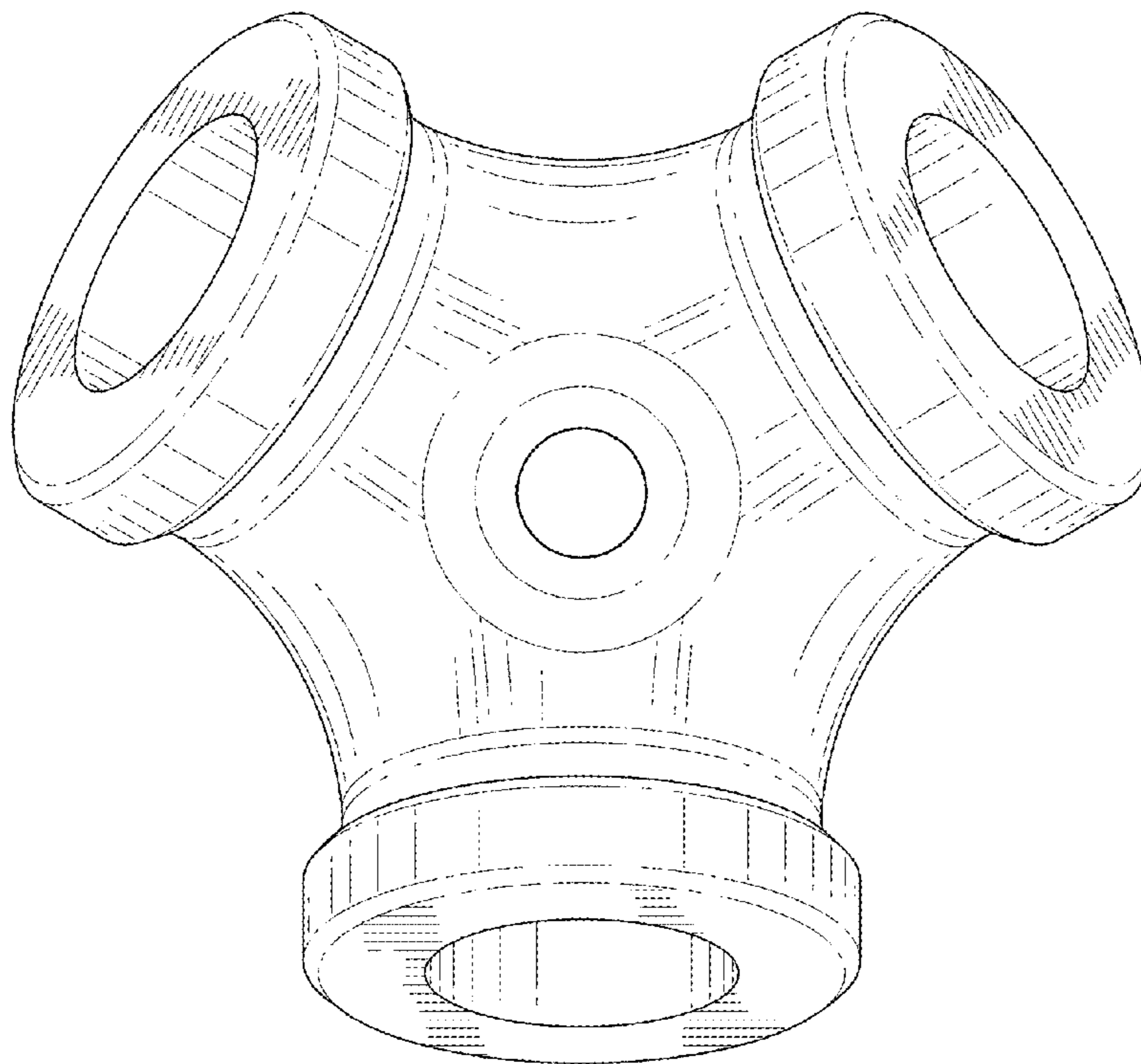


FIG. 8