



US00D744810S

(12) **United States Design Patent**
Pittman

(10) **Patent No.:** **US D744,810 S**
(45) **Date of Patent:** **** Dec. 8, 2015**

- (54) **SLING LATCH**
- (71) Applicant: **Impact Weapons Components, LLC**,
Timnath, CO (US)
- (72) Inventor: **Earl L. Pittman**, Fort Collins, CO (US)
- (73) Assignee: **Impact Weapons Components, LLC**,
Timnath, CO (US)
- (**) Term: **14 Years**
- (21) Appl. No.: **29/496,680**
- (22) Filed: **Jul. 16, 2014**

6,089,634	A *	7/2000	Verhey	294/82.35
6,102,242	A	8/2000	Jansen		
6,279,972	B1	8/2001	Brill et al.		
6,601,883	B1	8/2003	Kalsi		
6,641,184	B2 *	11/2003	Erices et al.	292/201
D494,840	S *	8/2004	Senn	D8/344
6,848,727	B1 *	2/2005	Cetnar et al.	292/201
D562,670	S	2/2008	Rogers et al.		
7,380,844	B2	6/2008	Berghahn et al.		
7,506,907	B1	3/2009	Marler		
D615,844	S	5/2010	Wiora		
D665,244	S	8/2012	Weinerman et al.		

OTHER PUBLICATIONS

Requirement for Restriction/Election for Design U.S. Appl. No. 29/443,143 mailed Jan. 27, 2014.

* cited by examiner

Primary Examiner — Prabhakar Deshmukh
(74) *Attorney, Agent, or Firm* — Cooley LLP

Related U.S. Application Data

- (62) Division of application No. 29/443,143, filed on Jan. 14, 2013, now Pat. No. Des. 712,233.
- (51) **LOC (10) Cl.** **08-07**
- (52) **U.S. Cl.**
USPC **D8/331; D8/330**
- (58) **Field of Classification Search**
USPC D8/330, 331, 333, 336, 343, 346, 349, D8/302; 70/14, 20, 2, 51–56, 57, 57.1, 70/141, 142, 224, 237, 266, 431, DIG. 9, 70/DIG. 4, DIG. 26, DIG. 80, 159, 162, 70/116, 208, 209, 221; 292/2, 32, 281, 292/288, 289, 358, 359, DIG. 5, 48, 198, 292/240, 217, 210, 216, DIG. 22, DIG. 37, 292/DIG. 43, 61
CPC B65D 1/20; B66C 1/34; E05C 3/06
See application file for complete search history.

(57) **CLAIM**

The ornamental design for a sling latch, as shown and described.

DESCRIPTION

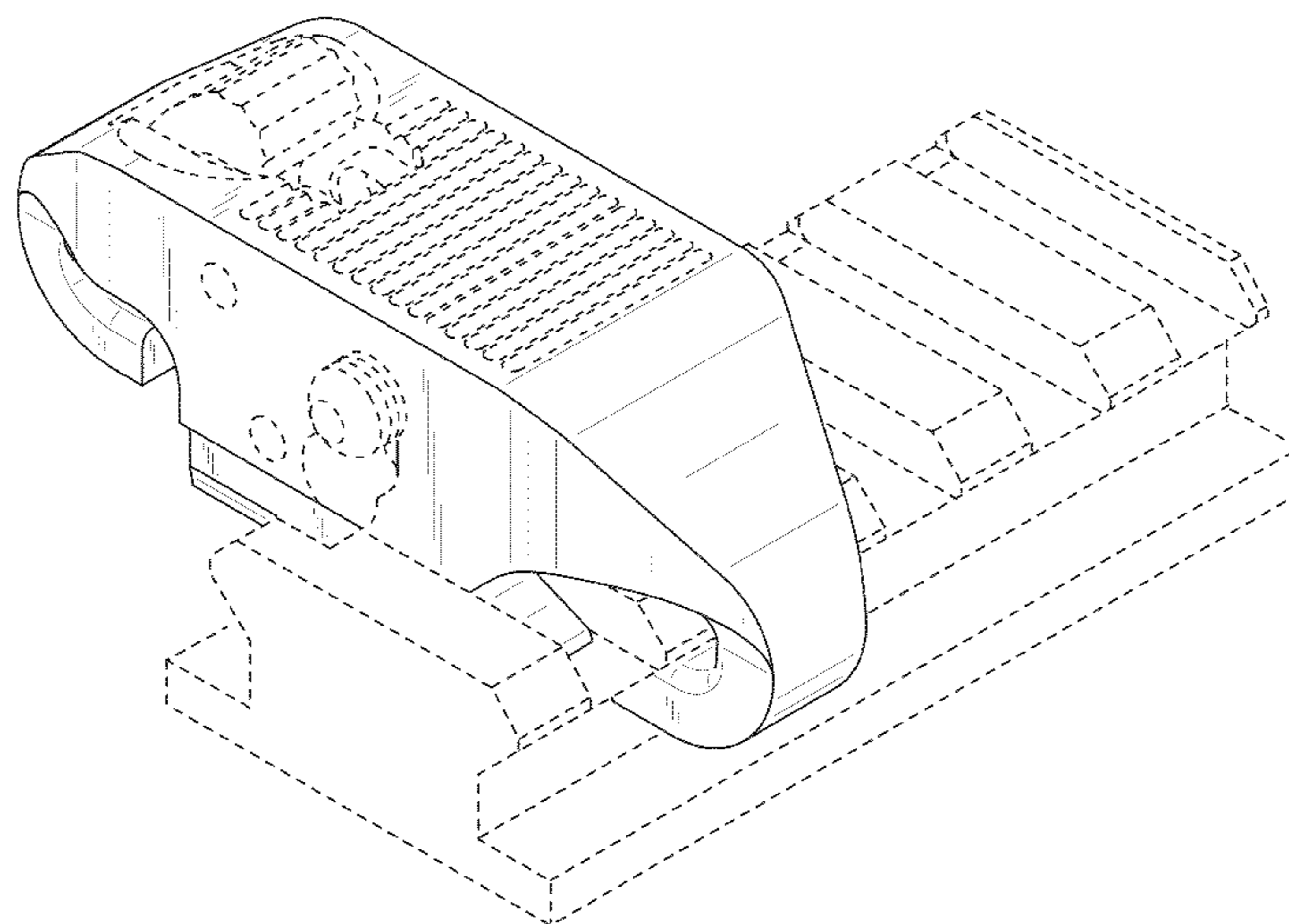
FIG. 1 is a perspective view of an embodiment of the sling latch;
FIG. 2 is a top view thereof;
FIG. 3 is a bottom view thereof;
FIG. 4 is a front view thereof;
FIG. 5 is a back view thereof;
FIG. 6 is a left side view thereof; and,
FIG. 7 is a right side view thereof.
The broken lines immediately adjacent the shaded areas represent the bounds of the claimed design while all other broken lines are directed to environment and are for illustrative purposes only; the broken lines form no part of the claimed design.

(56) **References Cited**

U.S. PATENT DOCUMENTS

5,433,496	A *	7/1995	Zimmermann	292/201
5,613,716	A *	3/1997	Cafferty	292/216
5,722,697	A *	3/1998	Chen	285/91
5,901,991	A *	5/1999	Hugel et al.	292/216

1 Claim, 7 Drawing Sheets



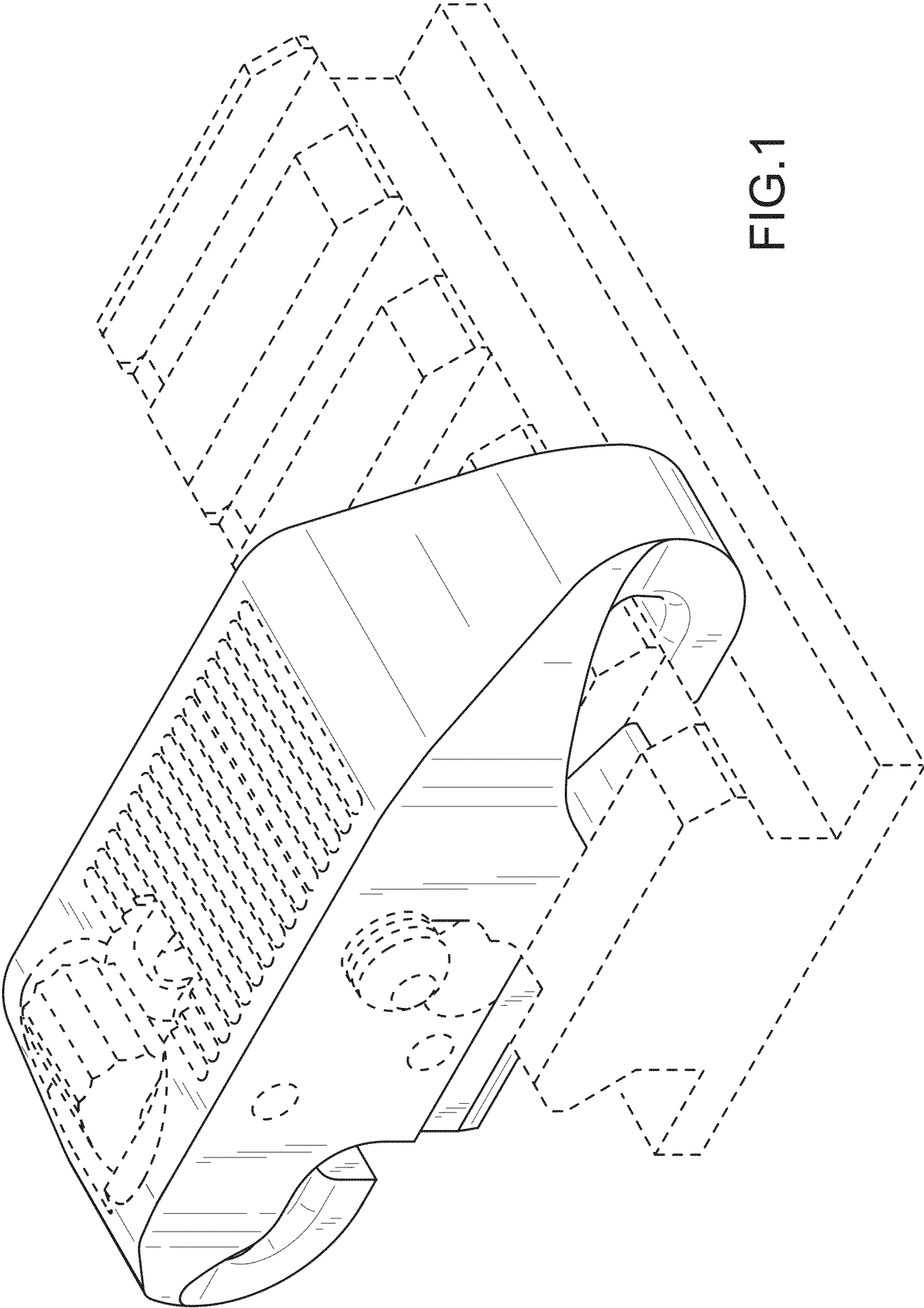


FIG.1

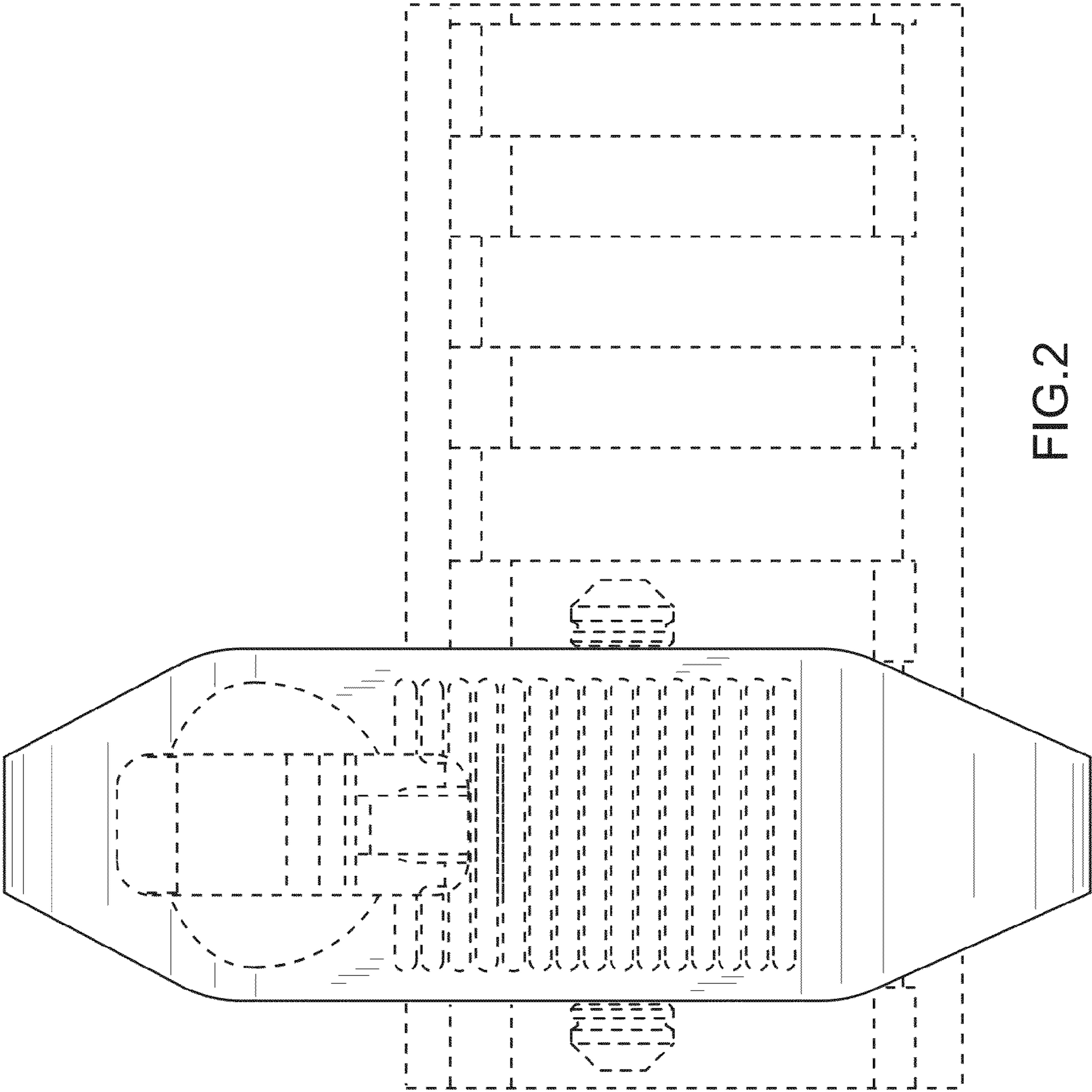


FIG.2

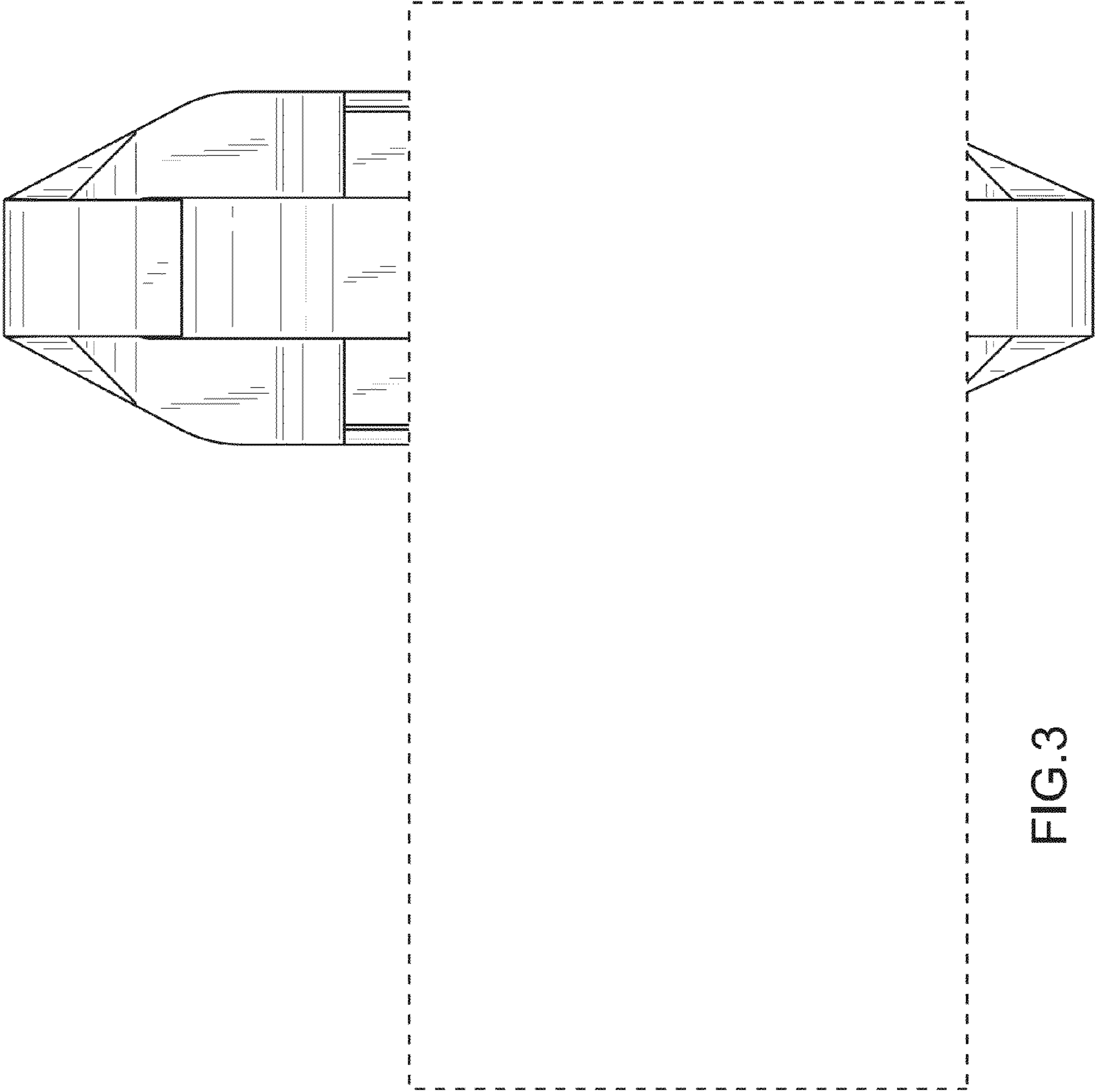


FIG.3

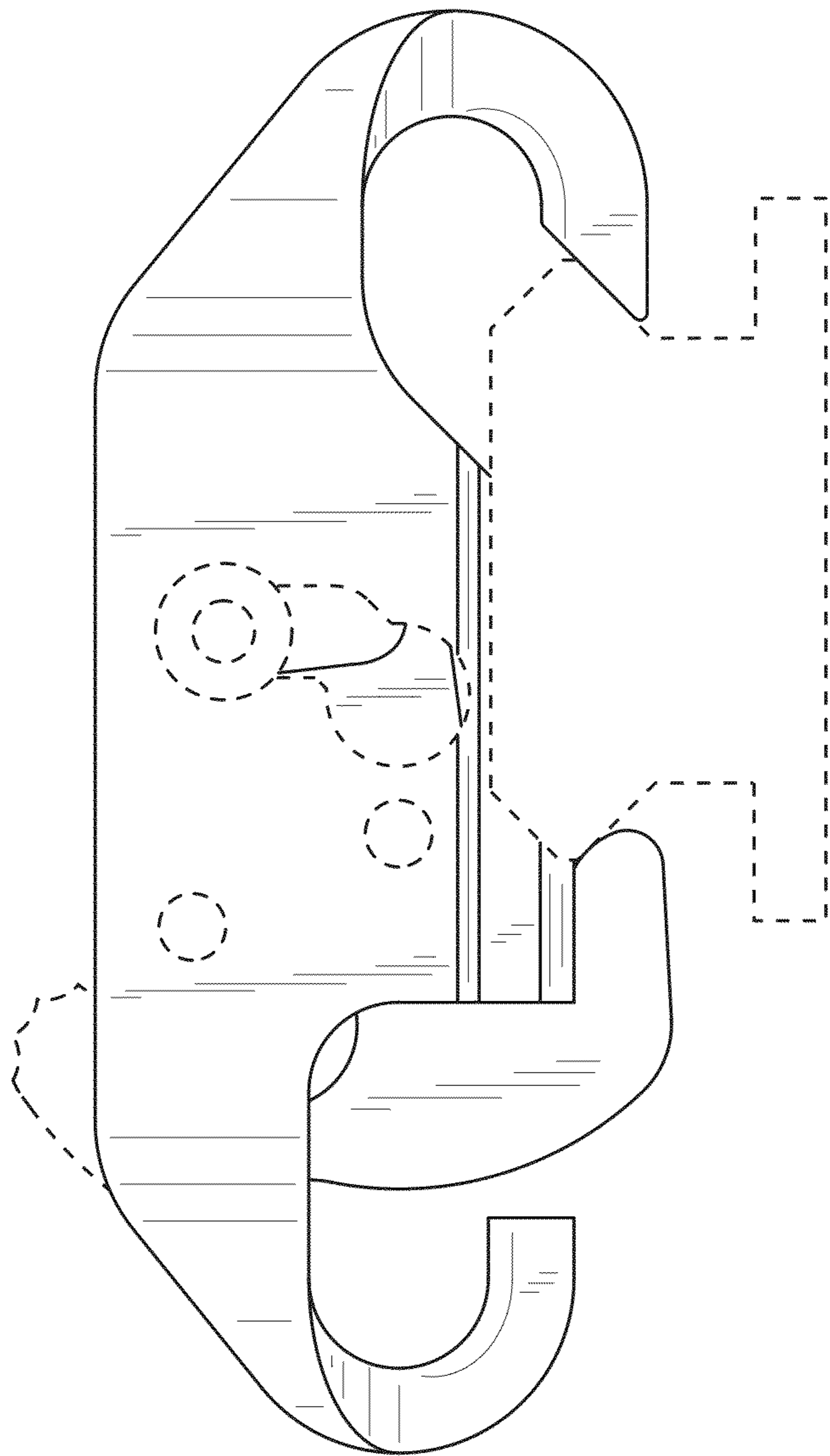


FIG.4

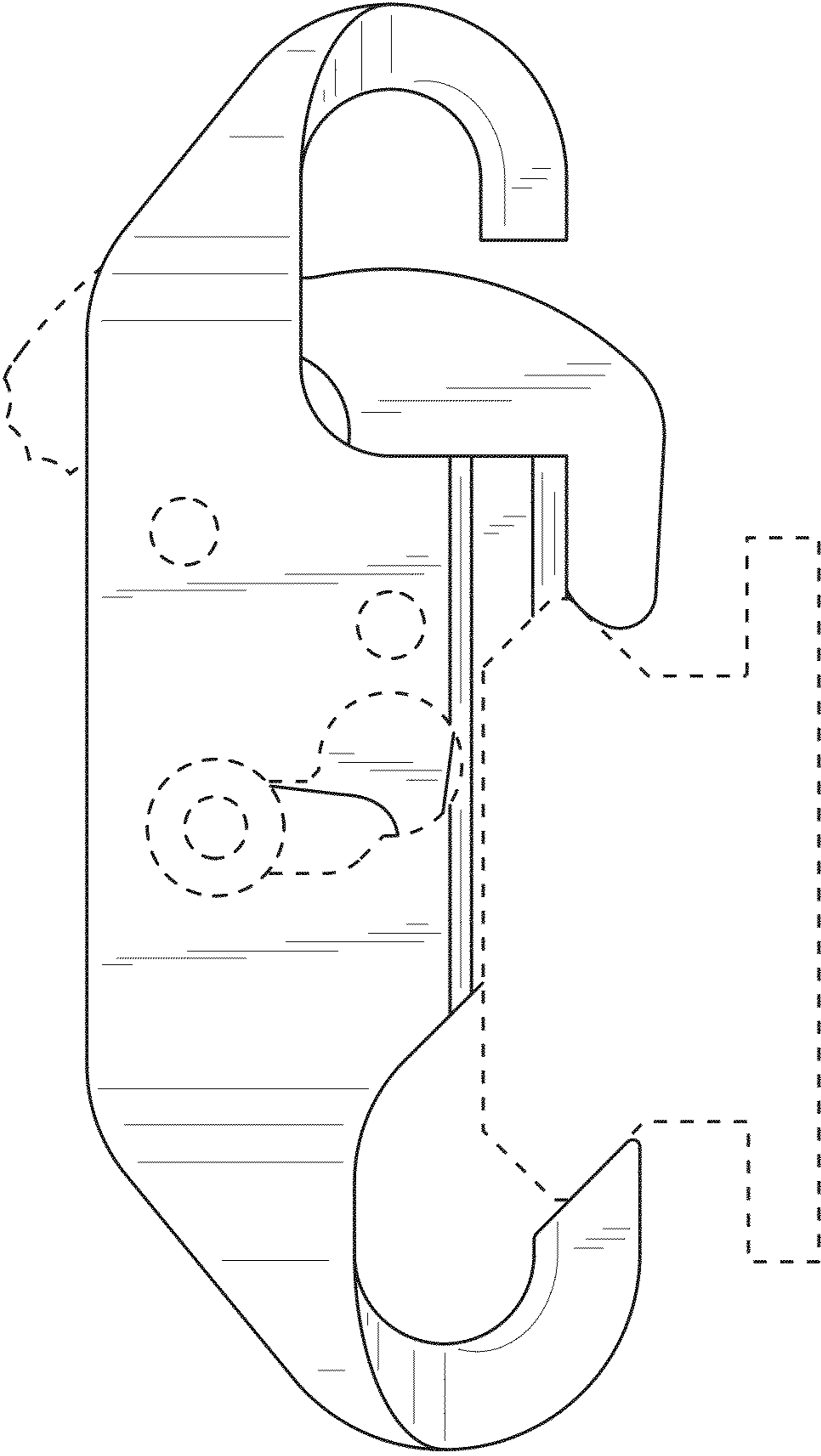


FIG.5

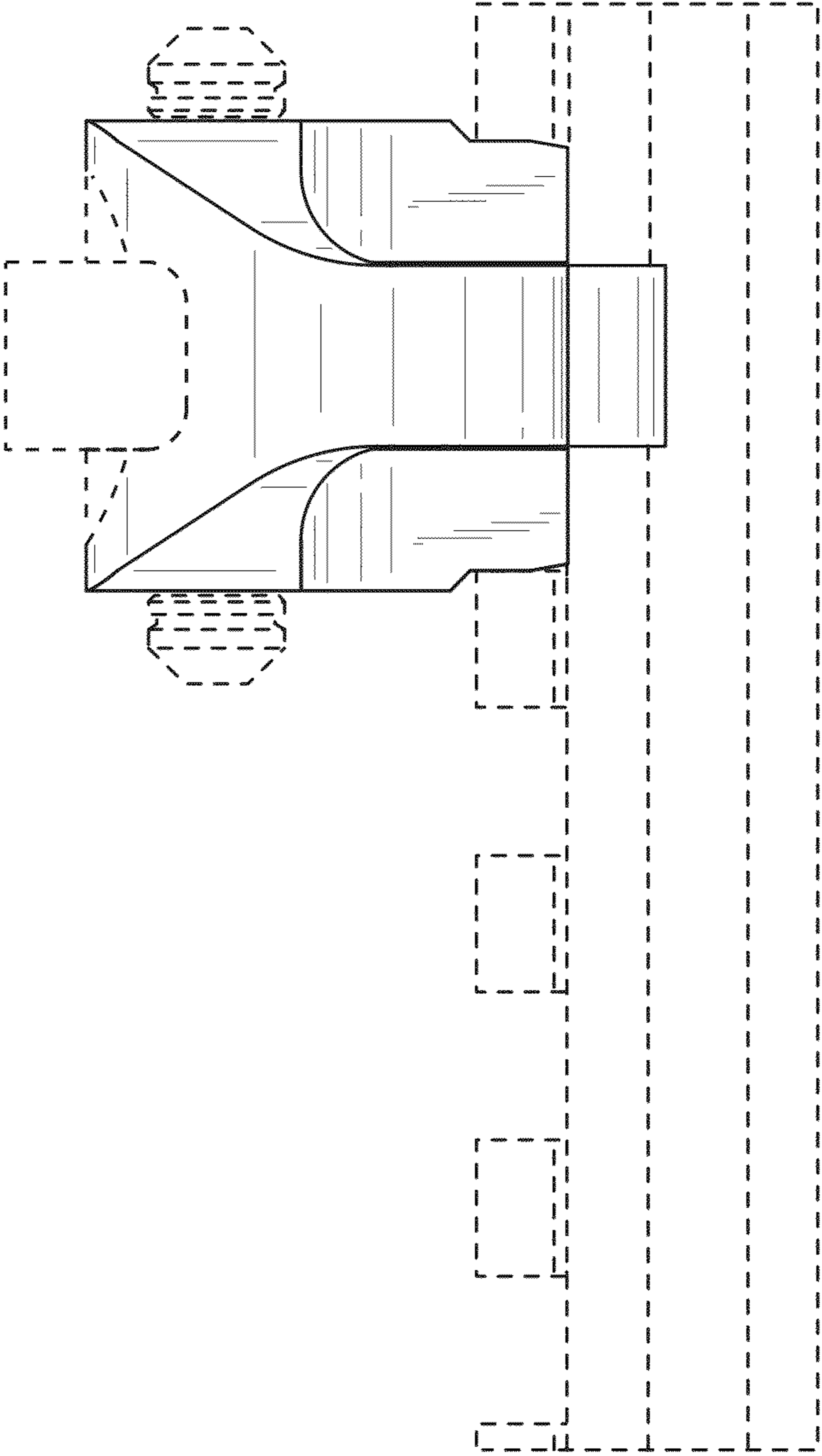


FIG.6

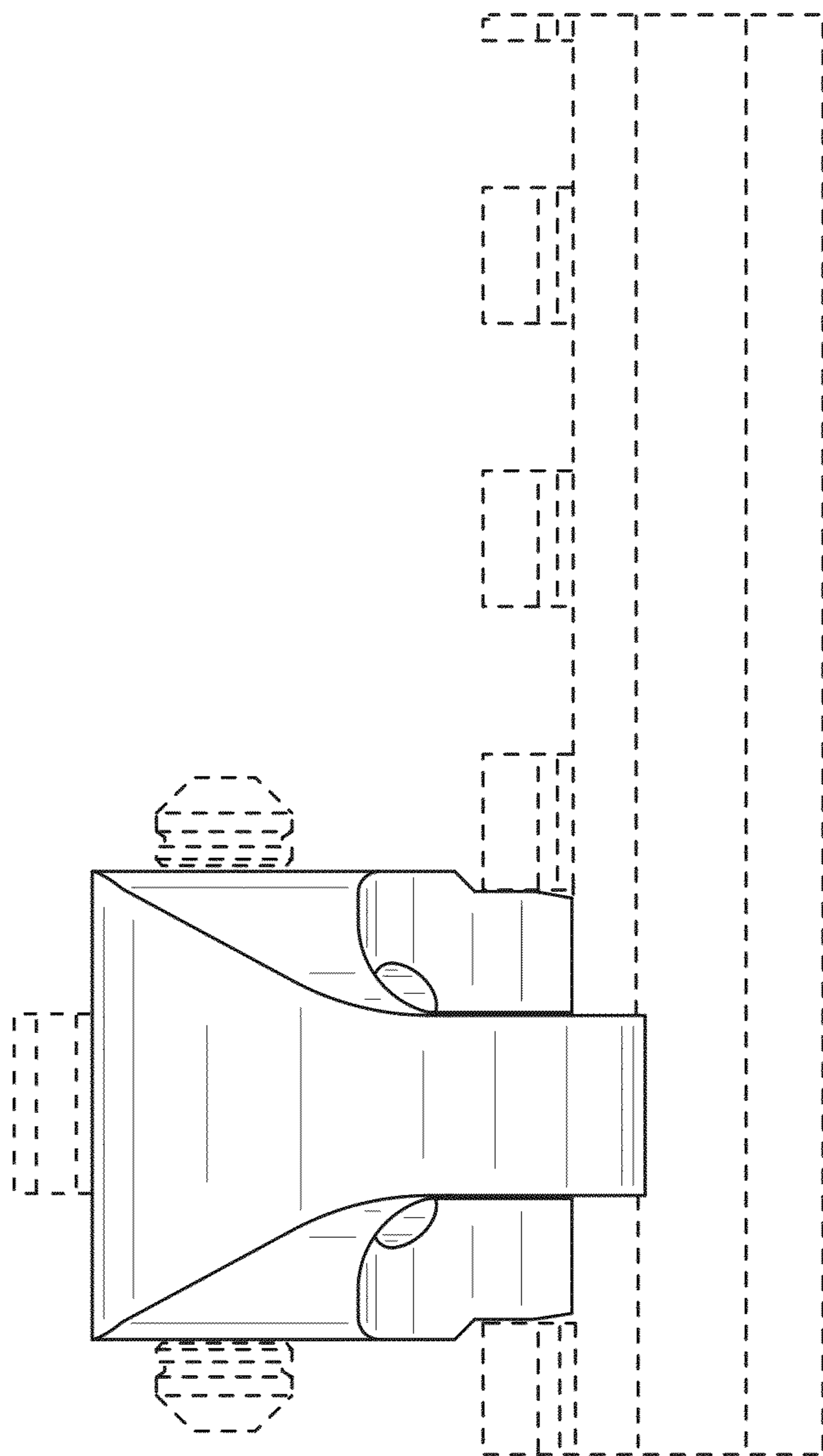


FIG.7