



US00D744809S

(12) **United States Design Patent**  
**Lu**

(10) **Patent No.:** **US D744,809 S**  
(45) **Date of Patent:** **\*\* Dec. 8, 2015**

(54) **HINGE**

(56) **References Cited**

(71) Applicant: **Dongguan Weihong Hardware and Plastic Products Co., Ltd.**, Dongguan (CN)

(72) Inventor: **Wei Lu**, Dongguan (CN)

(73) Assignee: **DONGGUAN WEIHONG HARDWARE AND PLASTIC PRODUCTS CO., LTD.**, Dongguan, Guangdong Province (CN)

(\*\*) Term: **14 Years**

(21) Appl. No.: **29/507,203**

(22) Filed: **Oct. 24, 2014**

U.S. PATENT DOCUMENTS

D140,298	S	*	2/1945	Wilson	.....	D8/323
3,278,981	A	*	10/1966	Glenn et al.	.....	16/275
3,349,427	A	*	10/1967	Cairns et al.	.....	16/273
D222,234	S	*	10/1971	Imber et al.	.....	D8/355
D297,912	S	*	10/1988	Richards	.....	D8/323
D335,622	S	*	5/1993	Millsap	.....	D8/323
D392,175	S	*	3/1998	Beck	.....	D8/323
D407,624	S	*	4/1999	Ehrig	.....	D8/323
6,134,751	A	*	10/2000	Carrier et al.	.....	16/242
D433,918	S	*	11/2000	Bradley et al.	.....	D8/323
6,269,520	B1	*	8/2001	Kovalchek	.....	16/221
D458,626	S	*	6/2002	Desbiez-Piat	.....	D16/334
D500,660	S	*	1/2005	Larner et al.	.....	D8/323
7,100,245	B2	*	9/2006	Wohlfarth	.....	16/367
7,240,400	B2	*	7/2007	Bonham	.....	16/238
D611,801	S	*	3/2010	Chustak	.....	D8/355
D633,773	S	*	3/2011	Yamanaka	.....	D8/323
8,225,460	B2	*	7/2012	Hooton et al.	.....	16/367
D683,609	S	*	6/2013	Frank et al.	.....	D8/323

\* cited by examiner

*Primary Examiner* — Cynthia Underwood

(74) *Attorney, Agent, or Firm* — Shimokaji IP

(57) **CLAIM**

The ornamental design for a hinge, as shown and described.

**DESCRIPTION**

FIG. 1 is a front elevational view of a hinge showing my new design;  
FIG. 2 is a rear elevational view of FIG. 1;  
FIG. 3 is a left side elevational view of FIG. 1;  
FIG. 4 is a right side elevational view of FIG. 1;  
FIG. 5 is a top plan view of FIG. 1;  
FIG. 6 is a bottom plan view of FIG. 1;  
FIG. 7 is a perspective view of FIG. 1; and,  
FIG. 8 is a perspective view of FIG. 7 shown in a folded configuration.

**1 Claim, 7 Drawing Sheets**

**Related U.S. Application Data**

(62) Division of application No. 29/485,169, filed on Mar. 17, 2014, now Pat. No. Des. 719,434.

(30) **Foreign Application Priority Data**

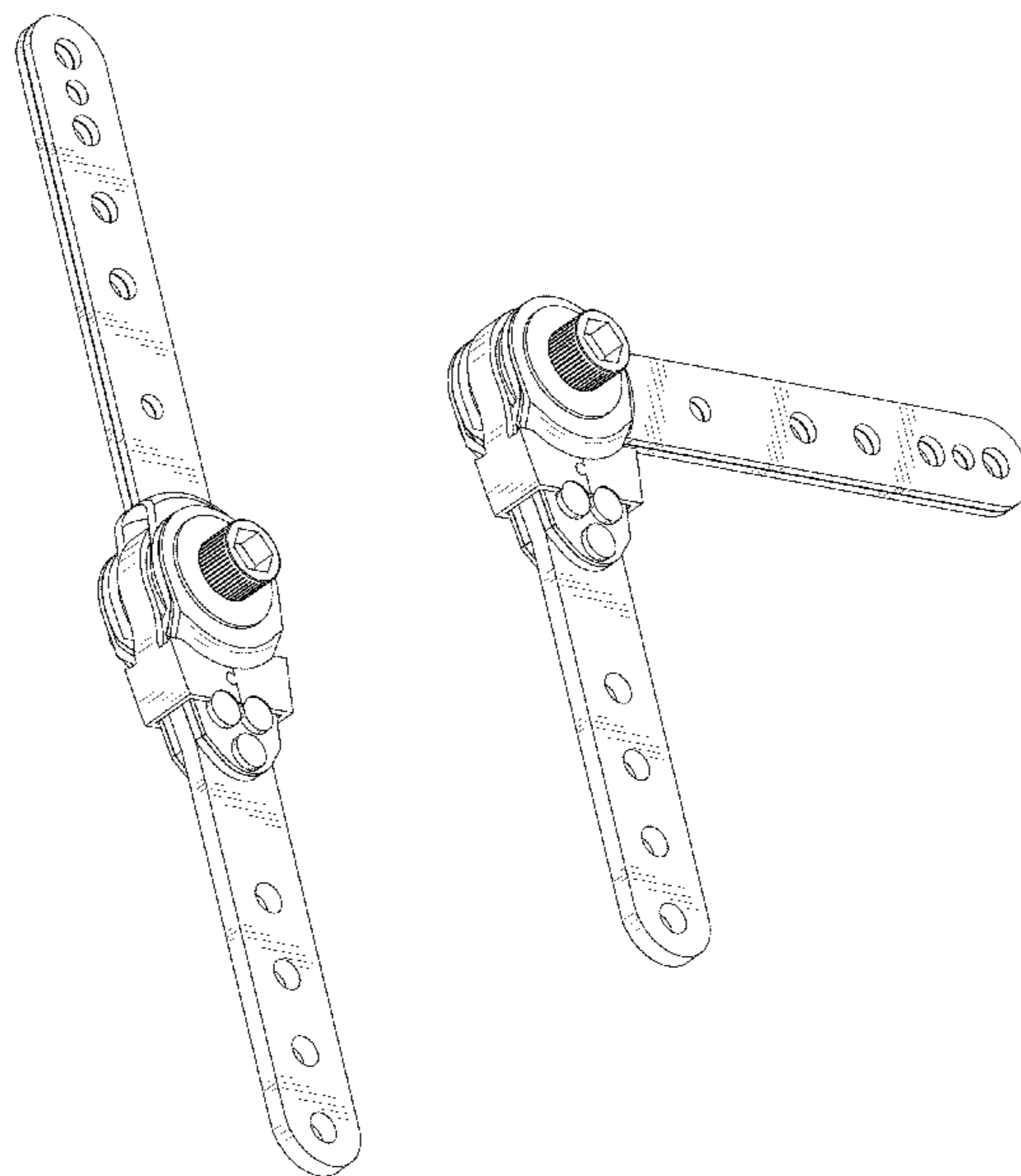
Dec. 31, 2013 (CN) ..... 2013 3 0656967

(51) **LOC (10) Cl.** ..... **08-06**

(52) **U.S. Cl.**  
USPC ..... **D8/323**

(58) **Field of Classification Search**  
USPC ..... D8/323, 328; 16/250, 338, 227  
CPC ..... E05D 5/12; E05D 11/082; E05D 1/02;  
B64G 1/222

See application file for complete search history.



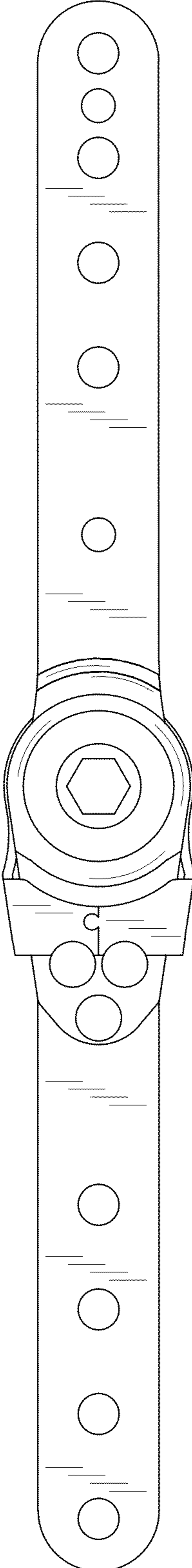


FIG.1

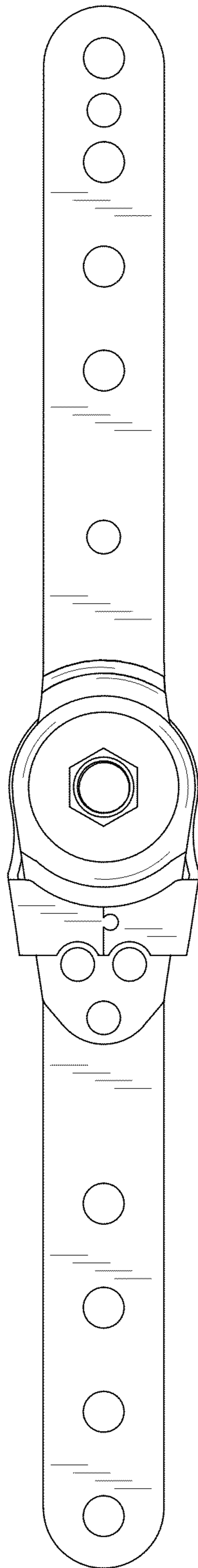


FIG.2

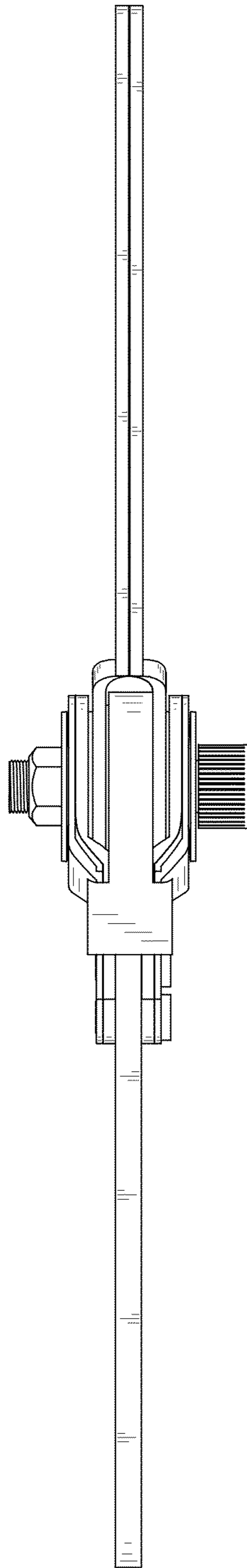


FIG.3

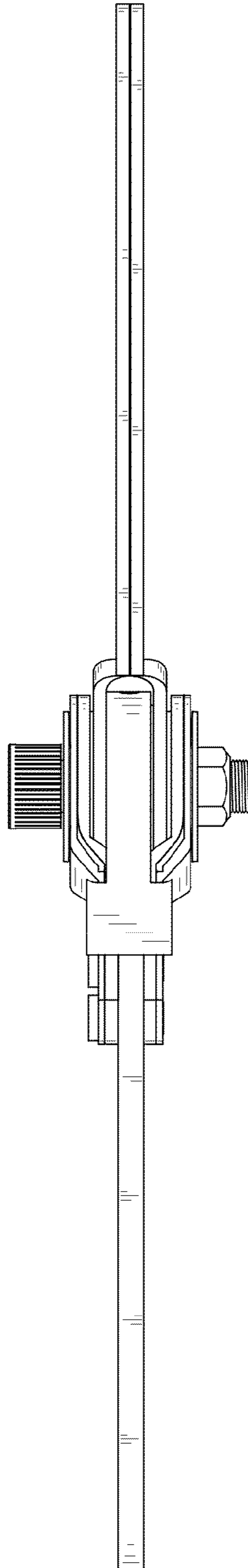


FIG.4

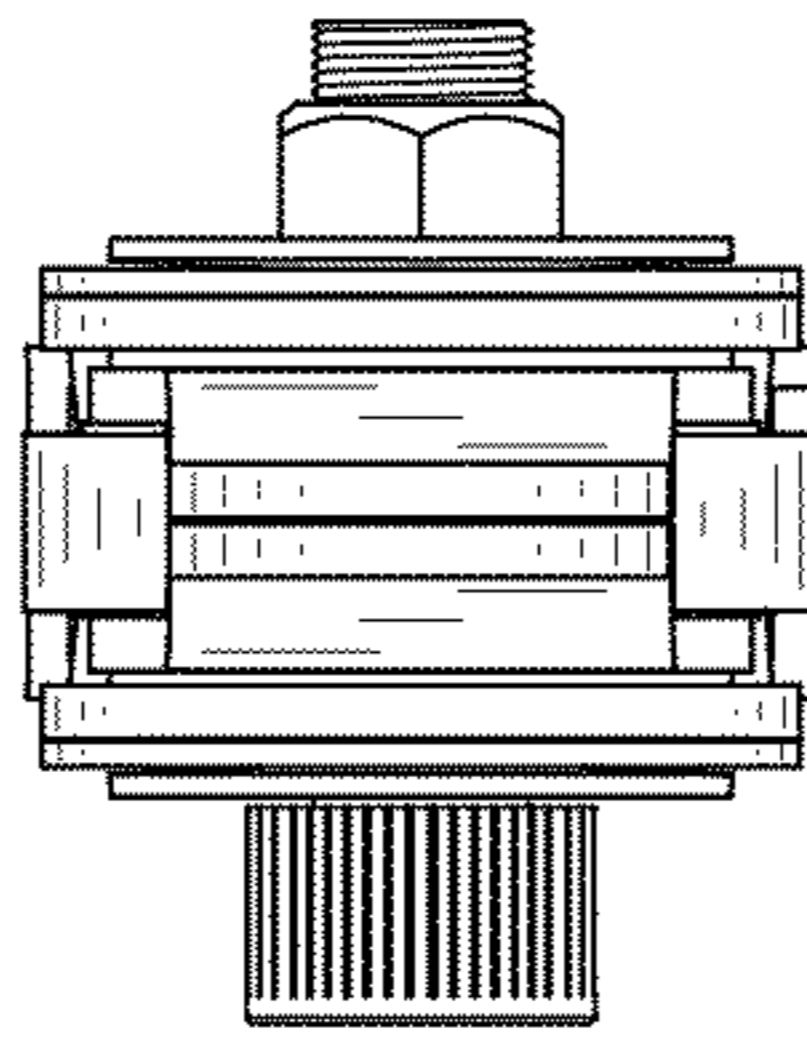


FIG.5

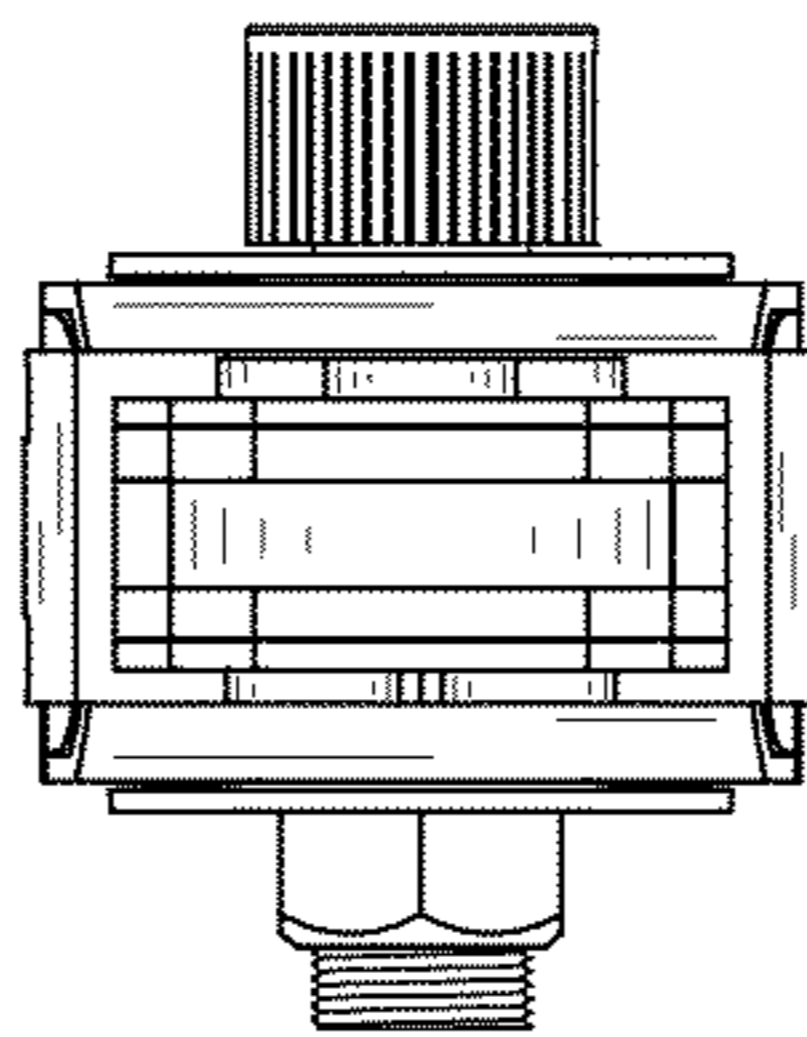


FIG.6

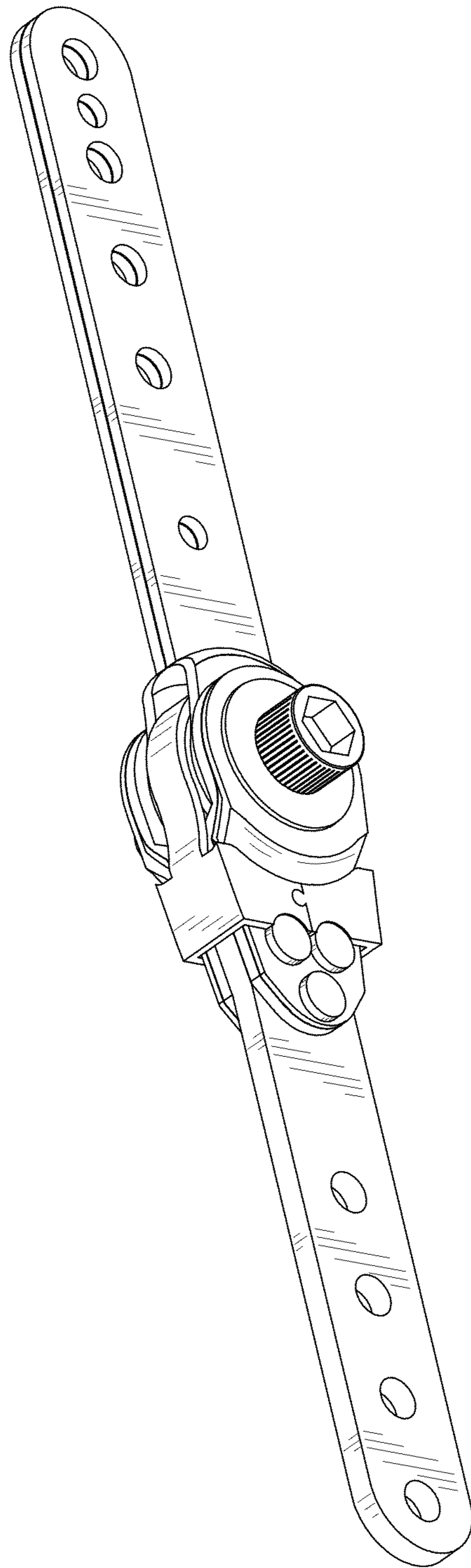


FIG.7

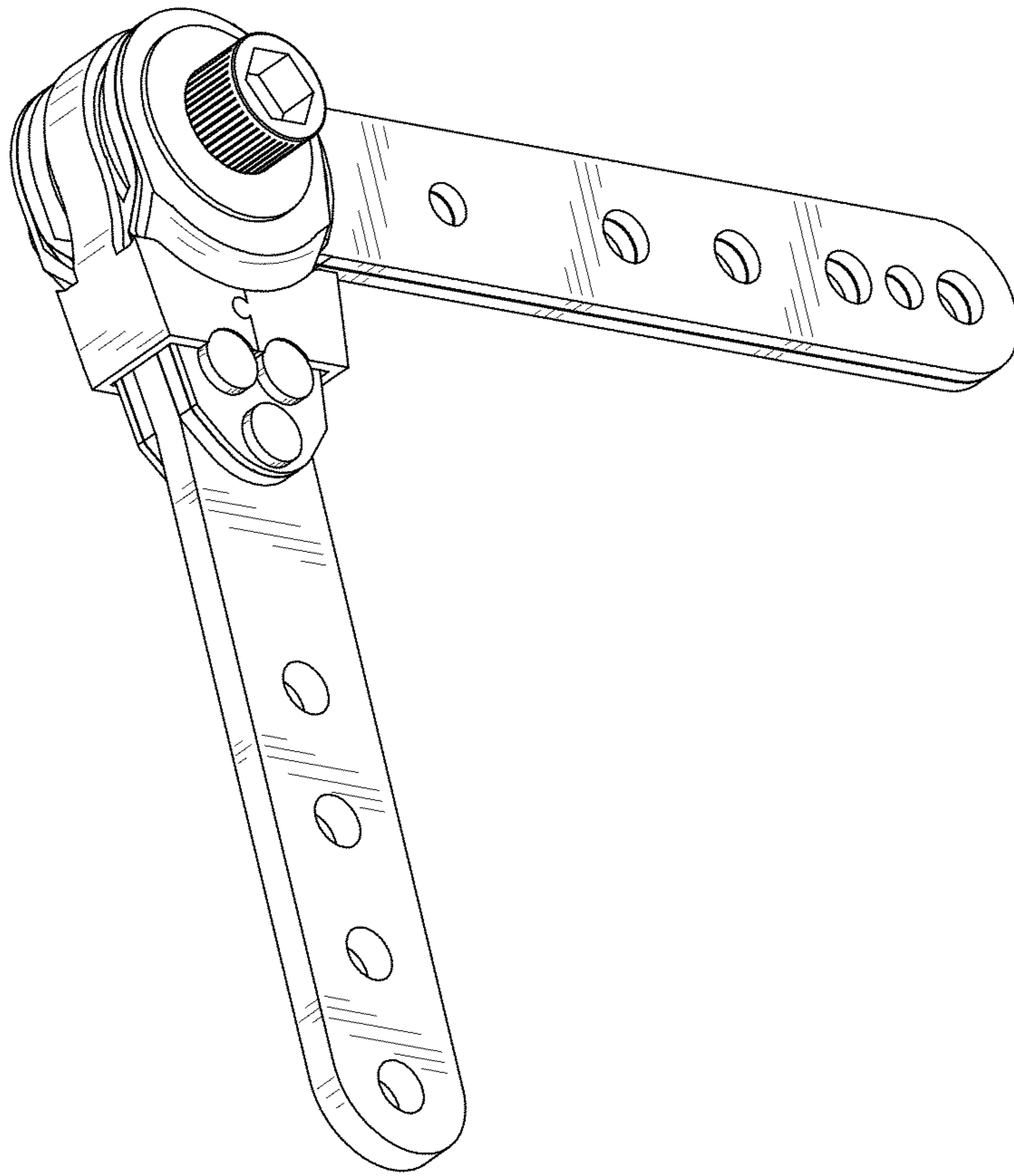


FIG.8