



US00D744808S

(12) **United States Design Patent**
Lu

(10) **Patent No.:** **US D744,808 S**
(45) **Date of Patent:** **** Dec. 8, 2015**

(54) **HINGE**

(71) Applicant: **Dongguan Weihong Hardware and Plastic Products Co., Ltd., Dongguan (CN)**

(72) Inventor: **Wei Lu, Dongguan (CN)**

(73) Assignee: **DONGGUAN WEIHONG HARDWARE AND PLASTIC PRODUCTS CO., LTD., Dongguan, Guangdong Province (CN)**

(**) Term: **14 Years**

(21) Appl. No.: **29/507,195**

(22) Filed: **Oct. 24, 2014**

Related U.S. Application Data

(62) Division of application No. 29/485,169, filed on Mar. 17, 2014, now Pat. No. Des. 719,434.

(51) **LOC (10) Cl.** **08-06**

(52) **U.S. Cl.**
USPC **D8/323**

(58) **Field of Classification Search**
USPC D8/323, 328; 16/250, 338, 227
CPC E05D 5/12; E05D 11/082; E05D 1/02; B64G 1/222
See application file for complete search history.

(56) **References Cited**

U.S. PATENT DOCUMENTS

D140,298 S * 2/1945 Wilson D8/323
3,278,981 A * 10/1966 Glenn et al. 16/275
3,349,427 A * 10/1967 Cairns et al. 16/273

D222,234 S * 10/1971 Imber et al. D8/355
D297,912 S * 10/1988 Richards D8/323
D335,622 S * 5/1993 Millsap D8/323
D392,175 S * 3/1998 Beck D8/323
D407,624 S * 4/1999 Ehrig D8/323
6,134,751 A * 10/2000 Carrier et al. 16/242
D433,918 S * 11/2000 Bradley et al. D8/323
6,269,520 B1 * 8/2001 Kovalchek 16/221
D458,626 S * 6/2002 Desbiez-Piat D16/334
D500,660 S * 1/2005 Larner et al. D8/323
7,100,245 B2 * 9/2006 Wohlfarth 16/367
7,240,400 B2 * 7/2007 Bonham 16/238
D611,801 S * 3/2010 Chustak D8/355
D633,773 S * 3/2011 Yamanaka D8/323
8,225,460 B2 * 7/2012 Hooton et al. 16/367
D683,609 S * 6/2013 Frank et al. D8/323

* cited by examiner

Primary Examiner — Cynthia Underwood

(74) *Attorney, Agent, or Firm* — Shimokaji IP

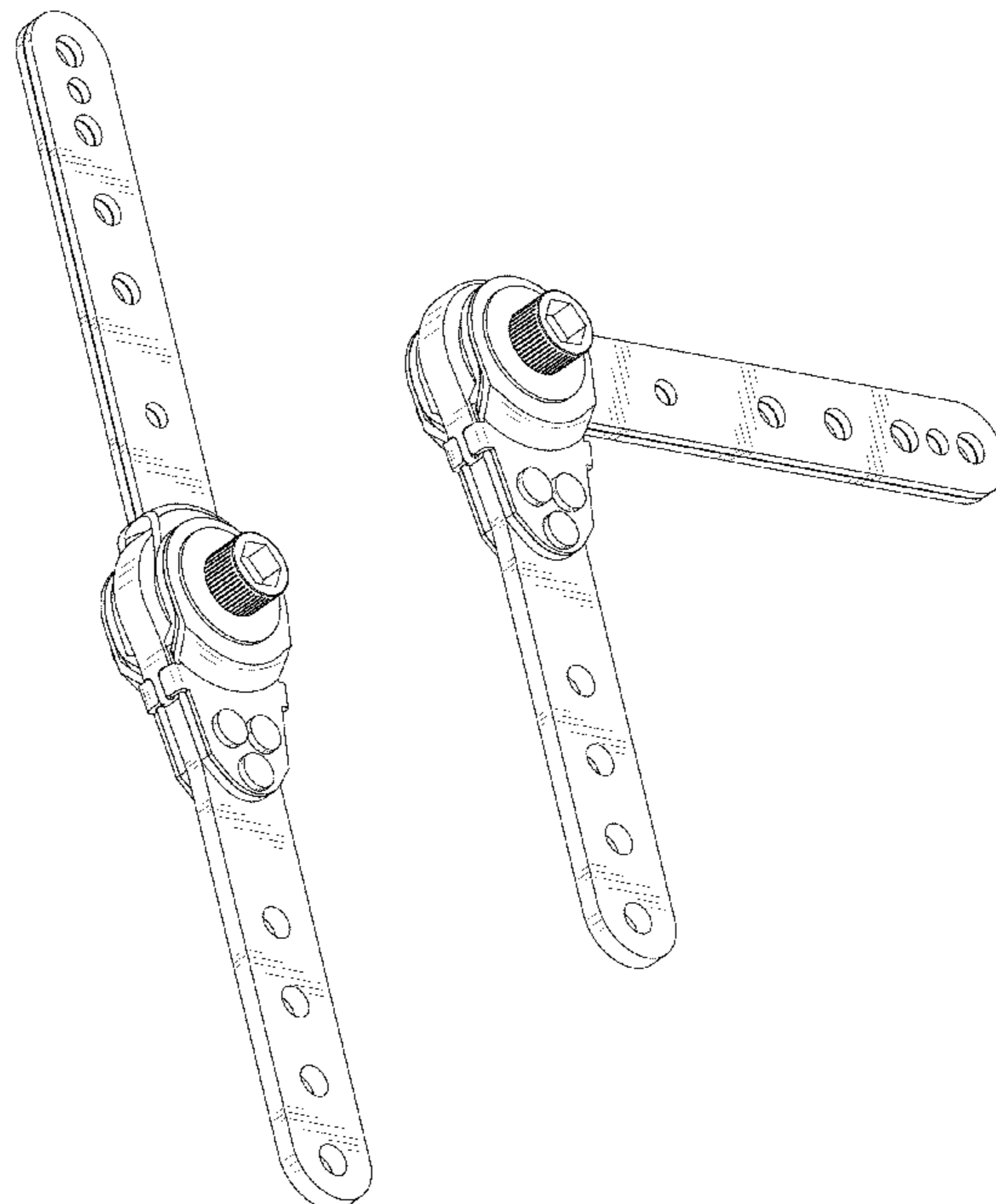
(57) **CLAIM**

The ornamental design for a hinge, as shown and described.

DESCRIPTION

FIG. 1 is a front elevational view of a hinge showing my new design;
FIG. 2 is a rear elevational view of FIG. 1;
FIG. 3 is a left side elevational view of FIG. 1;
FIG. 4 is a right side elevational view of FIG. 1;
FIG. 5 is a top plan view of FIG. 1;
FIG. 6 is a bottom plan view of FIG. 1;
FIG. 7 is a perspective view of FIG. 1; and,
FIG. 8 is a perspective view of FIG. 7 shown in a folded configuration.

1 Claim, 7 Drawing Sheets



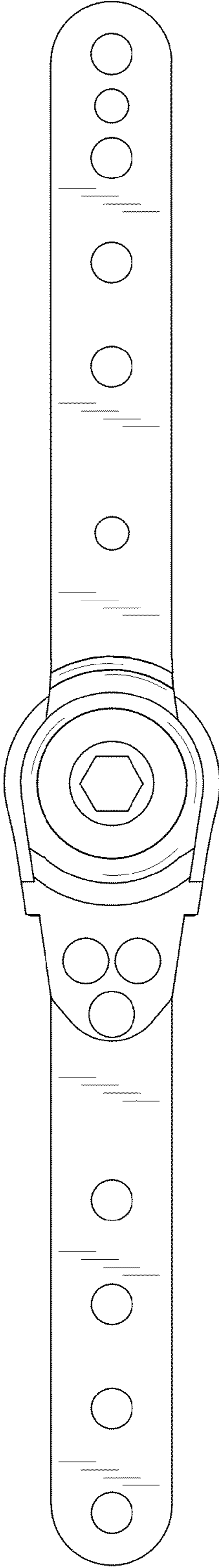


FIG.1

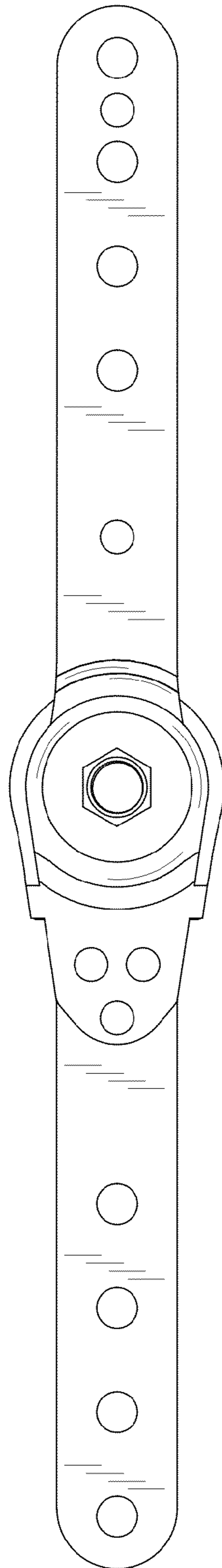


FIG.2

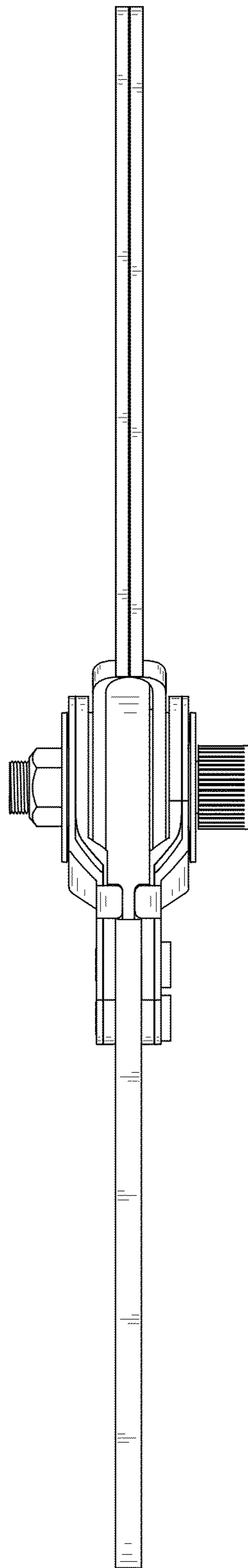


FIG.3

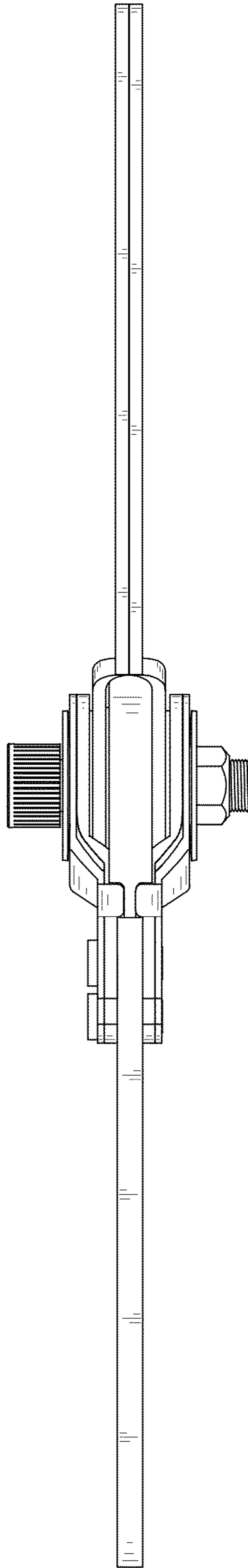


FIG.4

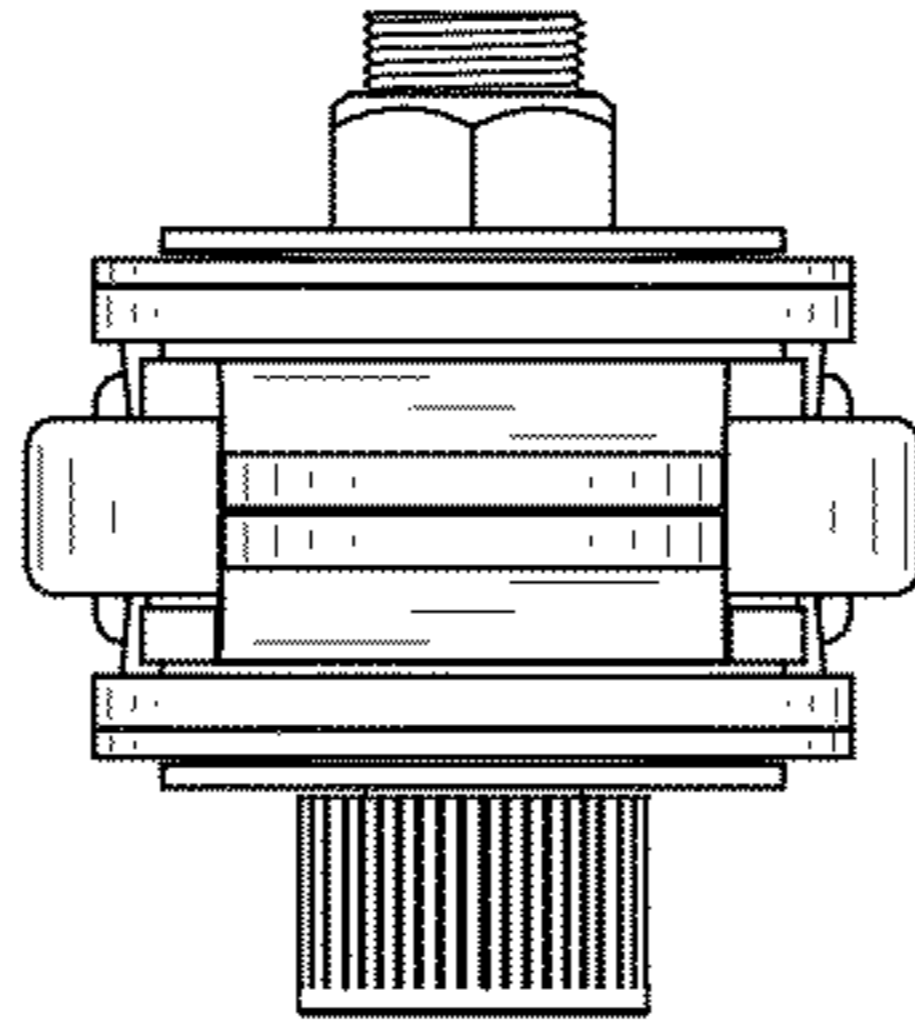


FIG. 5

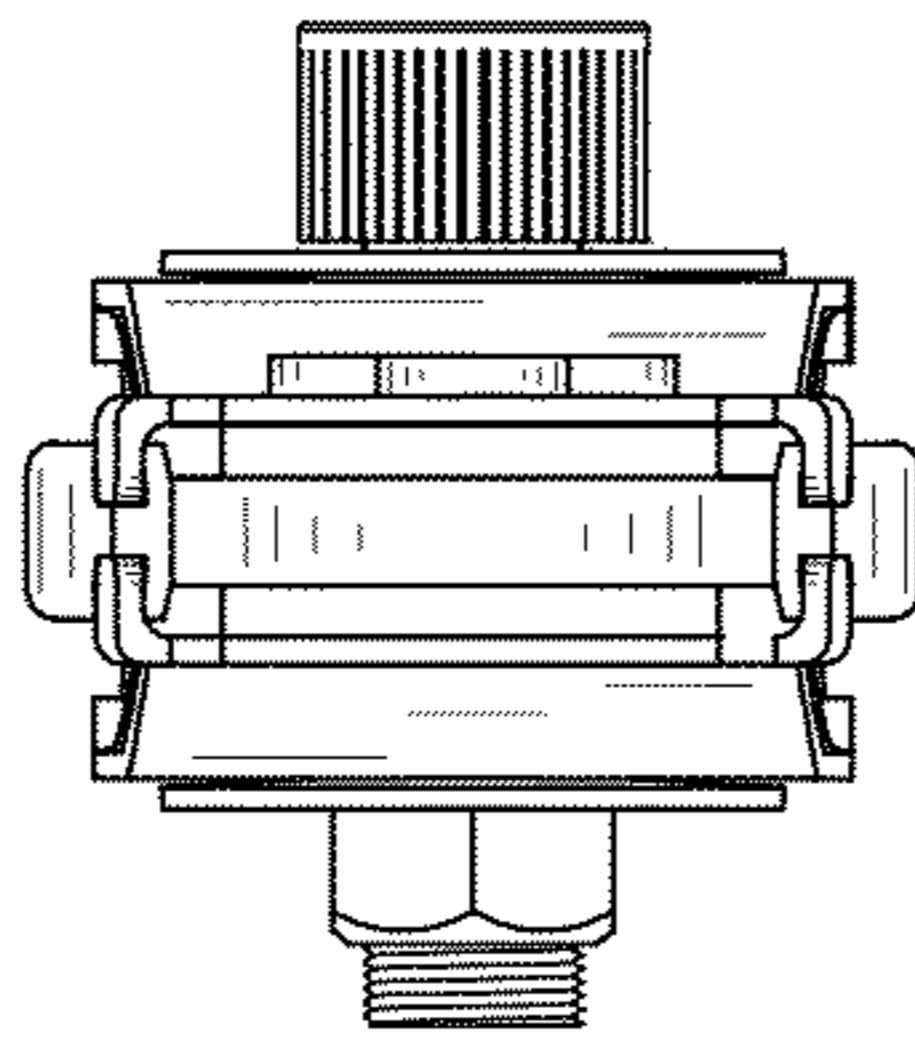


FIG. 6

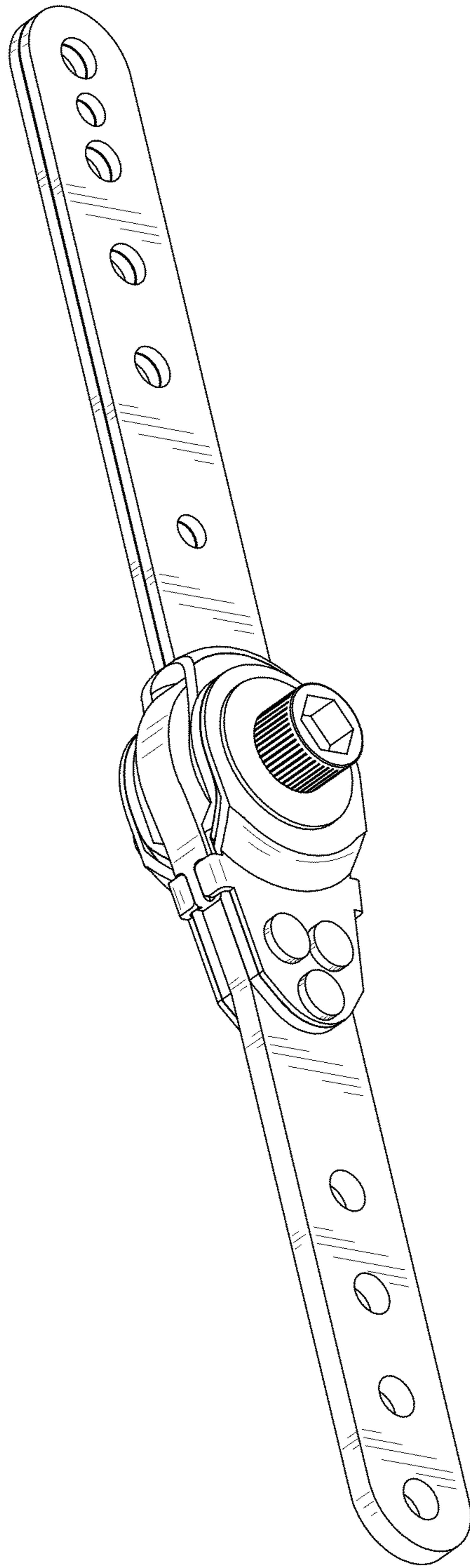


FIG.7

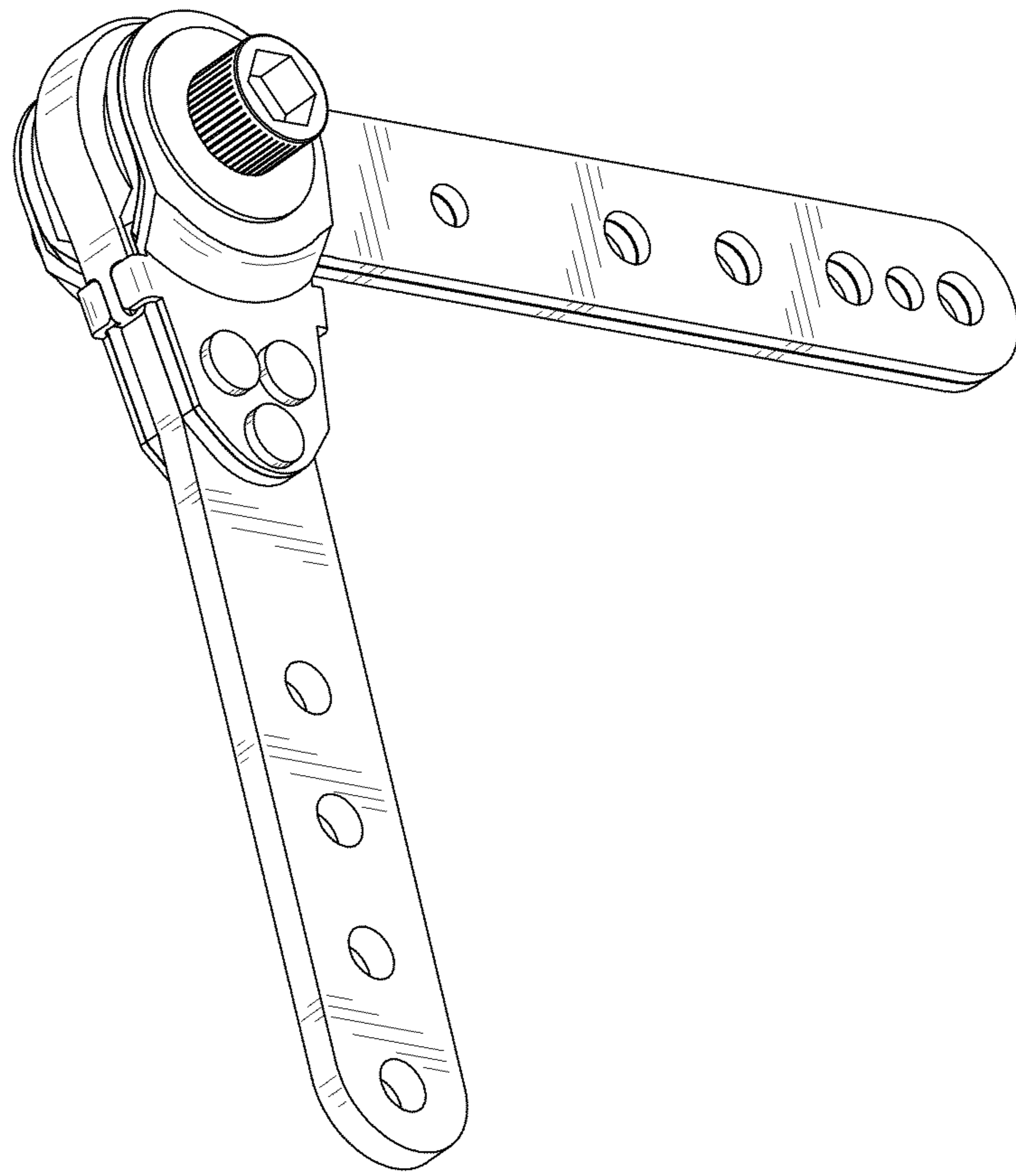


FIG.8