

US00D744807S

(12) **United States Design Patent**
Hicks

(10) **Patent No.:** **US D744,807 S**
(45) **Date of Patent:** **** Dec. 8, 2015**

(54) **RESCUE TOOL**

(71) Applicant: **Timothy Hicks**, Luxembourg (LU)

(72) Inventor: **Timothy Hicks**, Luxembourg (LU)

(**) Term: **14 Years**

(21) Appl. No.: **29/450,693**

(22) Filed: **Mar. 21, 2013**

Related U.S. Application Data

(62) Division of application No. 29/417,971, filed on Apr. 11, 2012.

Foreign Application Priority Data

Oct. 11, 2011 (WO) DM/077 181

(51) **LOC (10) Cl.** **08-03**

(52) **U.S. Cl.**
USPC **D8/98; D8/105**

(58) **Field of Classification Search**
USPC D8/14, 47, 87, 98, 102-103, 105, 107;
D19/35, 36; 7/100, 143-145, 158;
30/308.1; 81/177.1, 177.7, 436-440,
81/489

See application file for complete search history.

(56) **References Cited**

U.S. PATENT DOCUMENTS

D138,875 S * 9/1944 Weiss D8/98
2,613,745 A * 10/1952 Wimberly et al. 30/363

2,848,809 A * 8/1958 Crowder 30/164.9
3,130,884 A * 4/1964 Lintz 225/93
D296,865 S * 7/1988 Roxton D8/68
5,638,566 A * 6/1997 Wu 7/167
6,467,114 B1 * 10/2002 Sigl 7/144
6,552,652 B2 * 4/2003 Beken 340/407.1
6,640,450 B2 * 11/2003 Teague 30/367
6,846,123 B1 * 1/2005 Bedford 401/195
D645,718 S * 9/2011 Crystal et al. D8/98
D680,277 S * 4/2013 Coremans D29/124

* cited by examiner

Primary Examiner — Philip S Hyder

Assistant Examiner — Roselynn Cody

(74) *Attorney, Agent, or Firm* — Cantor Colburn LLP

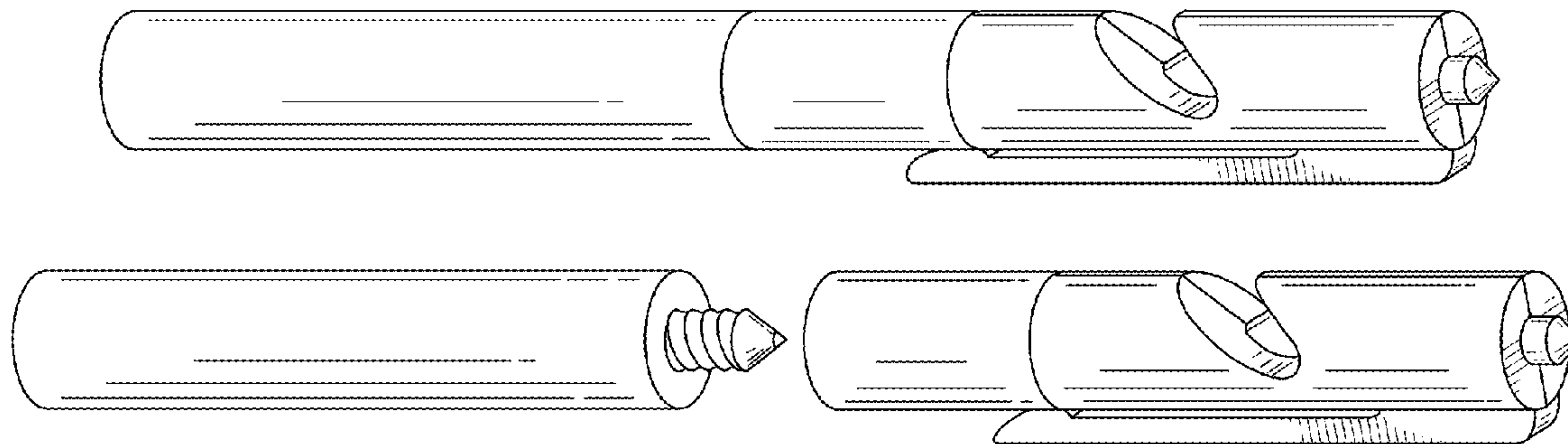
(57) **CLAIM**

I claim, the ornamental design for a rescue tool, as shown and described.

DESCRIPTION

FIG. 1 is a bottom plan view of a rescue tool, showing my new design;
FIG. 2 is an elevation view of a first side thereof;
FIG. 3 is a top plan view thereof;
FIG. 4 is an elevation view of a second side thereof;
FIG. 5 is an elevation view of a third side thereof, opposite from that shown in FIG. 2;
FIG. 6 is an elevation view of a fourth side thereof, opposite from that shown in FIG. 4;
FIG. 7 is a perspective view thereof; and,
FIG. 8 is an exploded perspective view thereof.

1 Claim, 4 Drawing Sheets



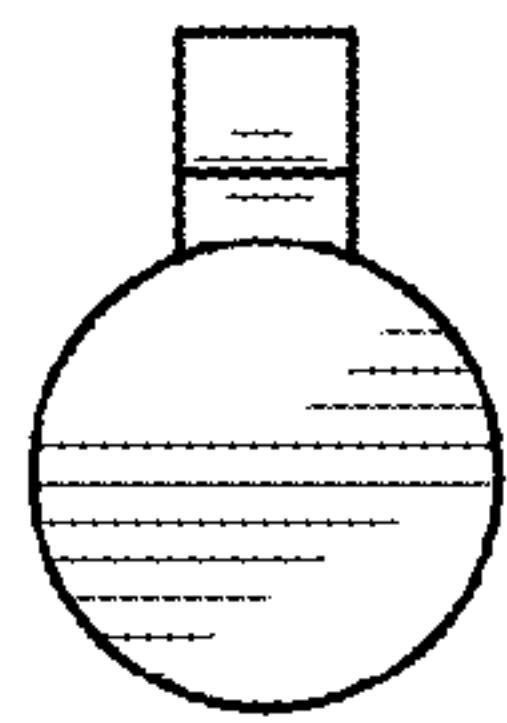


FIG. 1

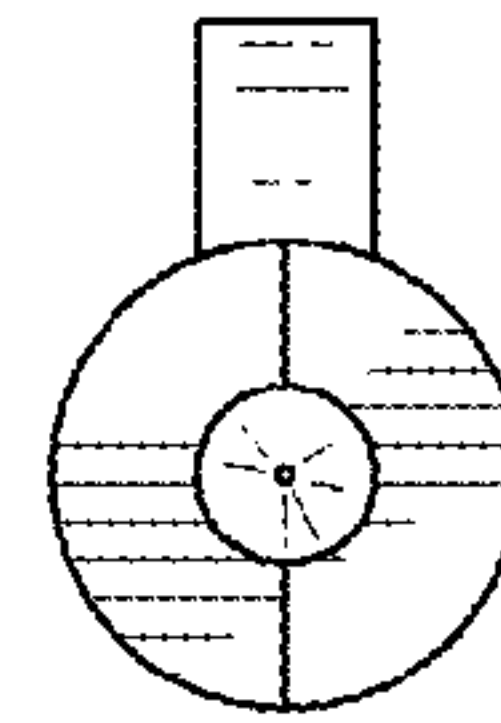


FIG. 3

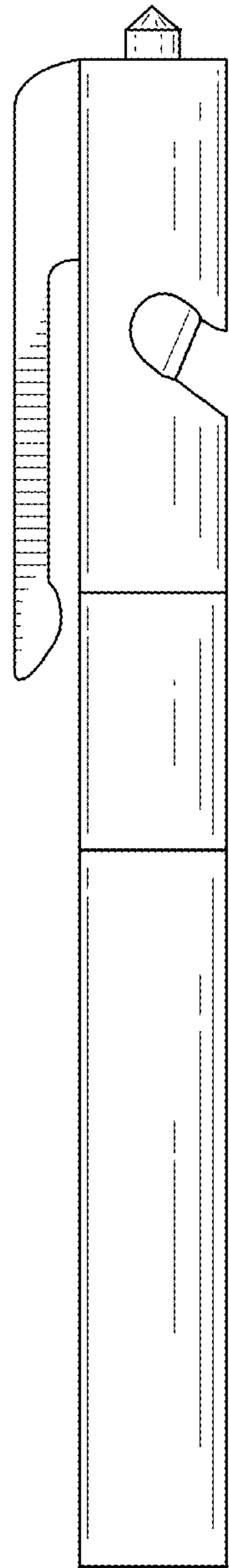


FIG. 2

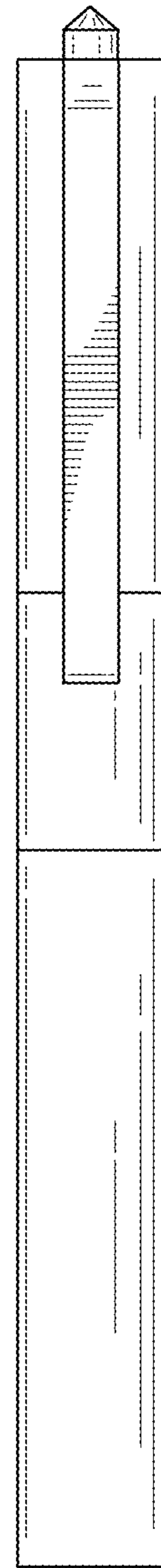


FIG. 4

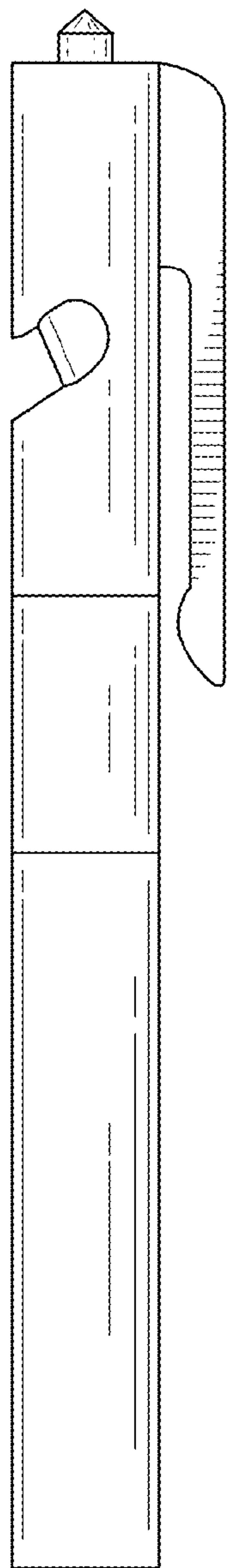


FIG. 5

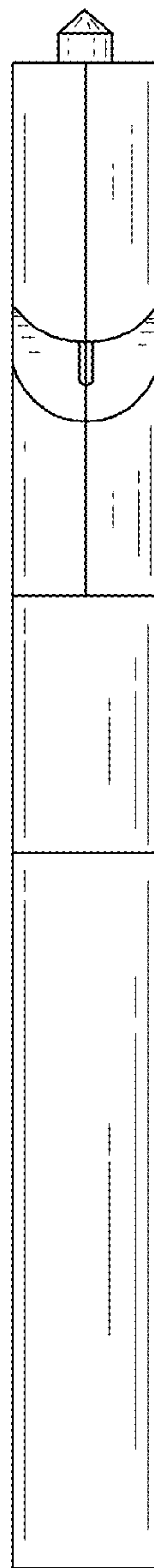


FIG. 6

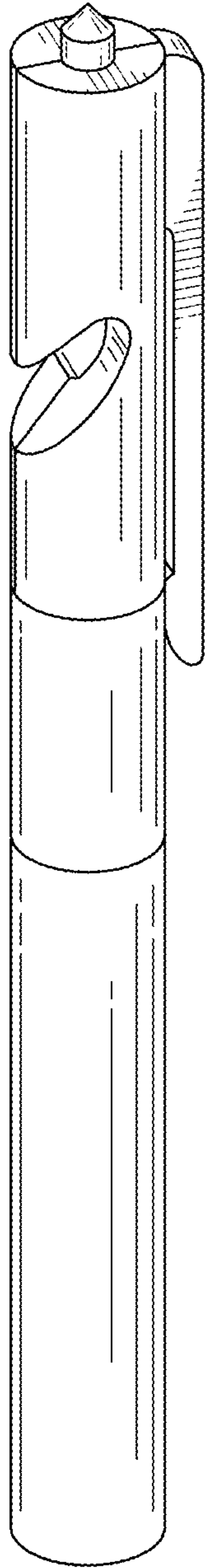


FIG. 7

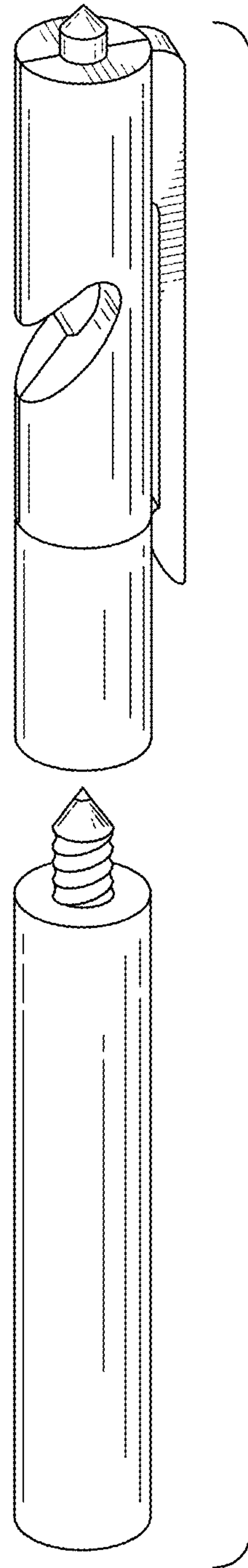


FIG. 8