



US00D744805S

(12) **United States Design Patent**  
**Cavanaugh**

(10) **Patent No.:** **US D744,805 S**  
(45) **Date of Patent:** **\*\* Dec. 8, 2015**

(54) **SHARPENER**

(71) Applicant: **Gerald R. Cavanaugh**, Cedar Park, TX  
(US)

(72) Inventor: **Gerald R. Cavanaugh**, Cedar Park, TX  
(US)

(\*\*) Term: **14 Years**

(21) Appl. No.: **29/511,935**

(22) Filed: **Dec. 15, 2014**

(51) **LOC (10) Cl.** ..... **08-05**

(52) **U.S. Cl.**  
USPC ..... **D8/93**

(58) **Field of Classification Search**  
USPC ..... D8/90-94, 98, 99, 105, 107; 451/349,  
451/461, 486, 552, 555-558; 76/82, 88  
CPC ..... B24B 3/54; B24B 3/546; B24D 15/00;  
B24D 15/06; B24D 15/065; B24D 15/08;  
B24D 15/081; B24D 15/082  
See application file for complete search history.

(56) **References Cited**

**U.S. PATENT DOCUMENTS**

4,599,919 A 7/1986 Fortenberry  
D299,614 S 1/1989 Young  
D352,440 S \* 11/1994 Perigny ..... D8/98  
D367,598 S 3/1996 Fortenberry

D453,290 S 2/2002 Huang  
D475,599 S 6/2003 Liu  
D487,691 S 3/2004 Huang  
6,805,619 B2 10/2004 Carbone  
D551,531 S 9/2007 Zemel  
D654,342 S 2/2012 Cavanaugh  
8,221,199 B2 7/2012 Smith  
8,512,105 B2 8/2013 Smith  
D724,407 S \* 3/2015 Johnson ..... D8/93

\* cited by examiner

*Primary Examiner* — Philip S Hyder

*Assistant Examiner* — Roselynn Cody

(74) *Attorney, Agent, or Firm* — Andrew W. Chu; Craft Chu  
PLLC

(57) **CLAIM**

The ornamental design for a sharpener, as shown and  
described.

**DESCRIPTION**

FIG. 1 is an upper perspective view of the sharpener showing  
my design.

FIG. 2 is a side elevation view thereof;

FIG. 3 is an opposite side view thereof

FIG. 4 is a top plan view;

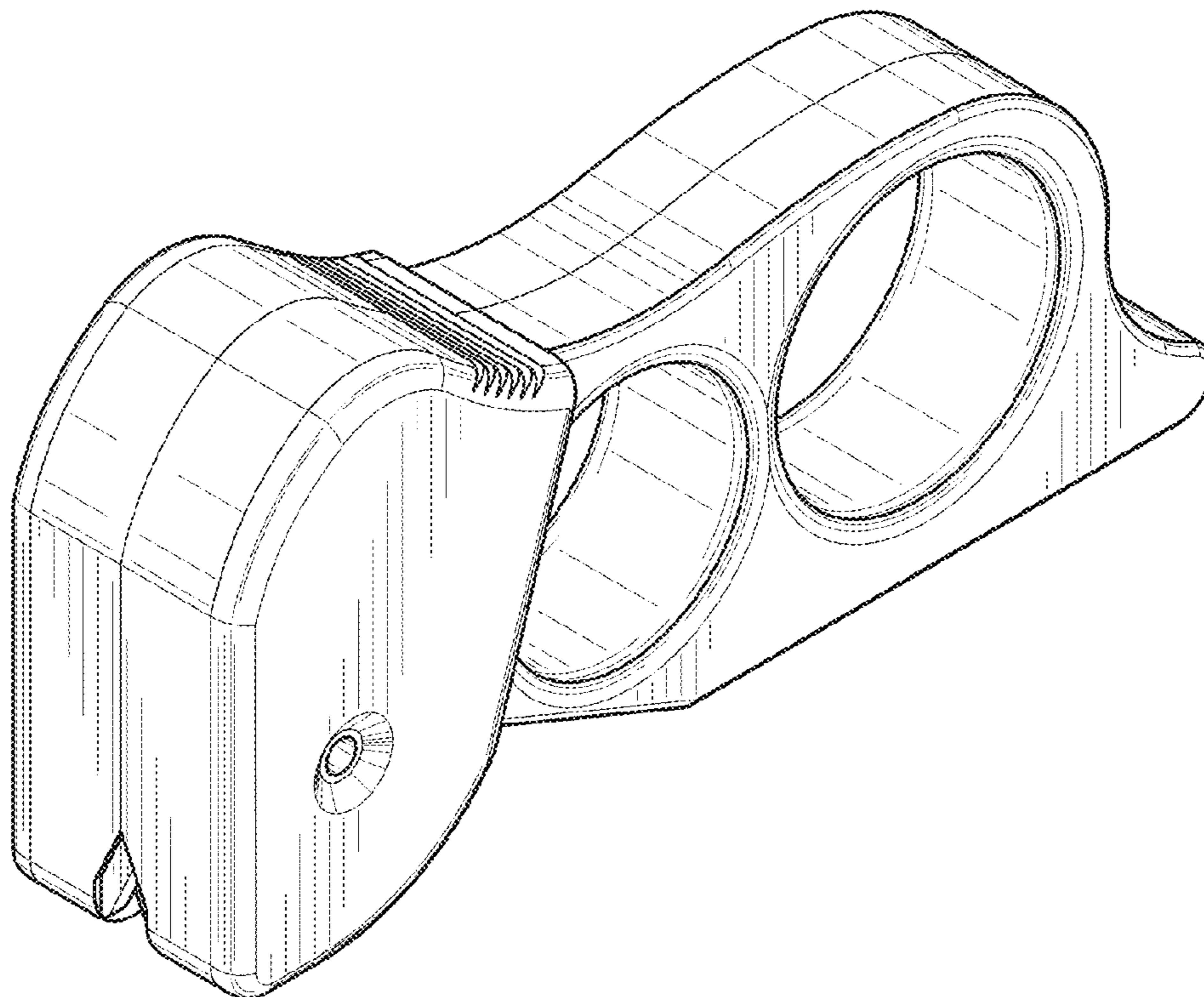
FIG. 5 is a bottom plan view

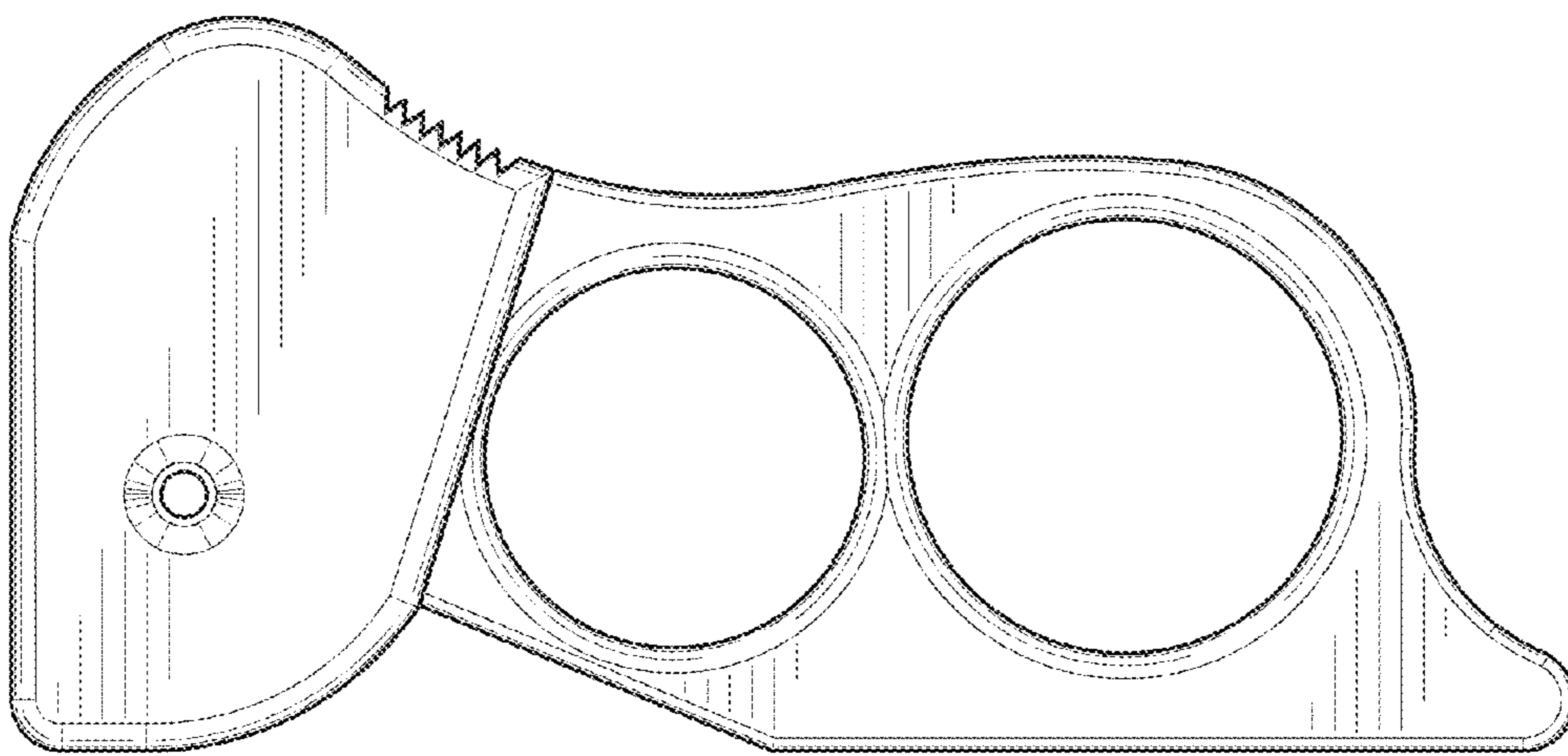
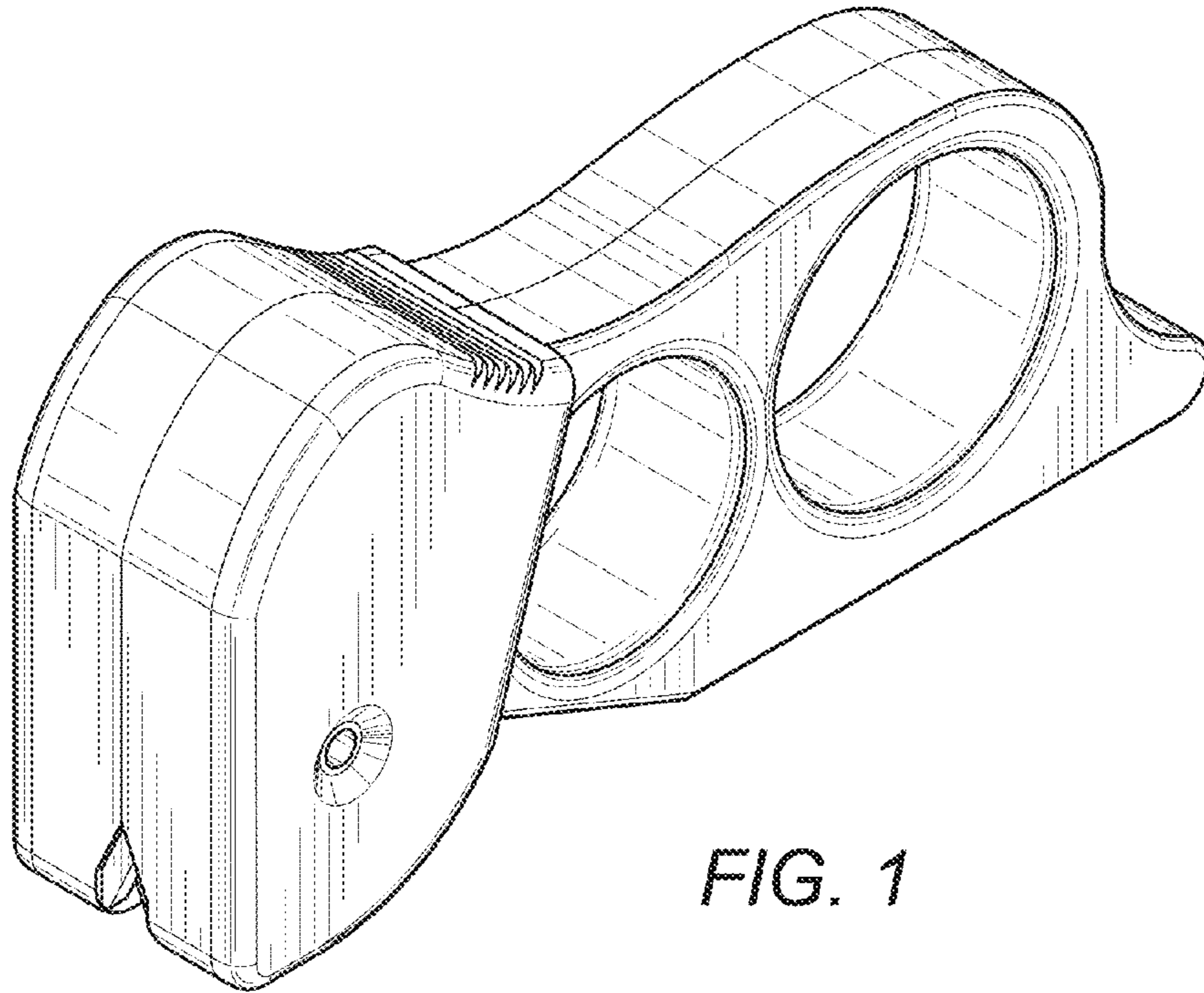
FIG. 6 is an end elevation view thereof;

FIG. 7 is an opposite end elevation view thereof; and,

FIG. 8 is a bottom perspective view thereof.

**1 Claim, 3 Drawing Sheets**





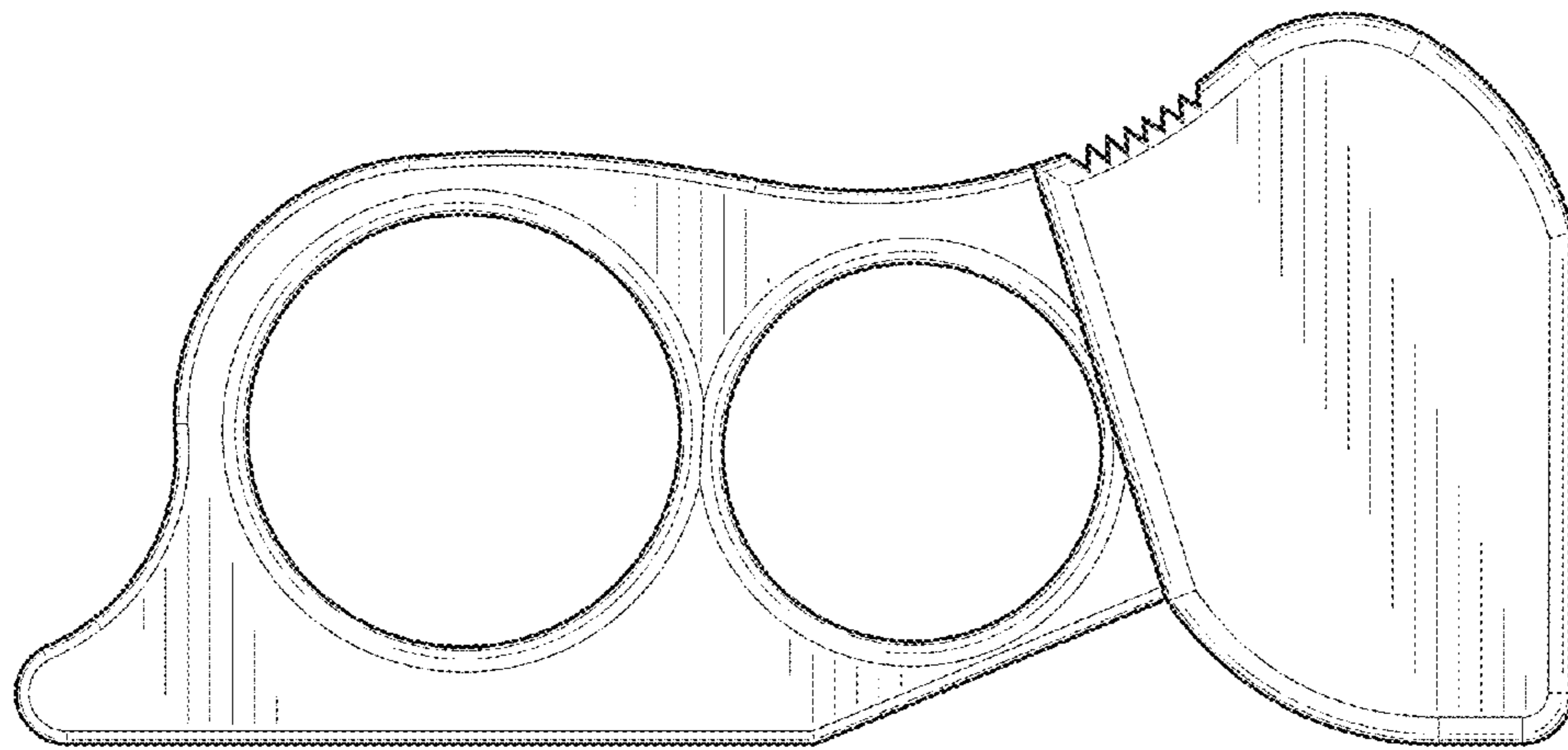


FIG. 3

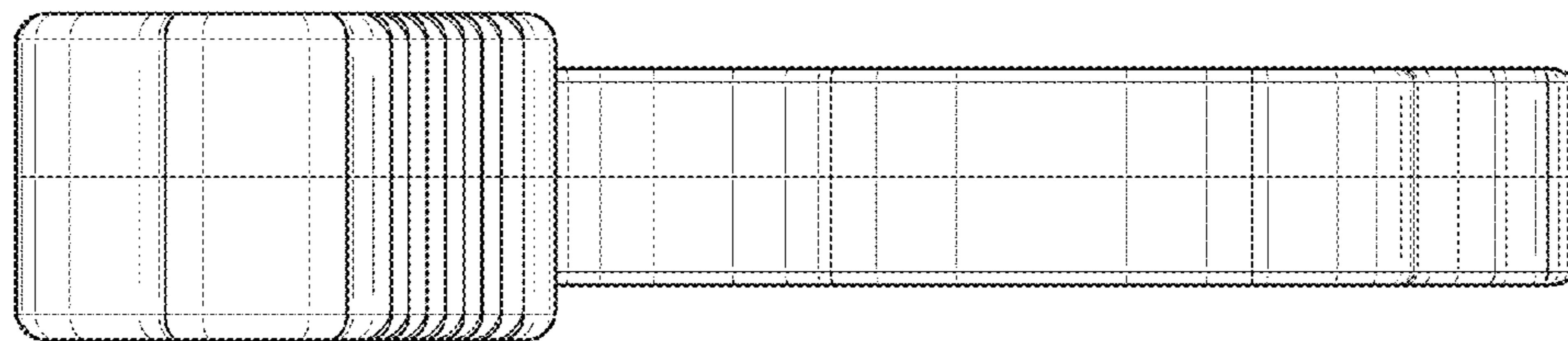


FIG. 4

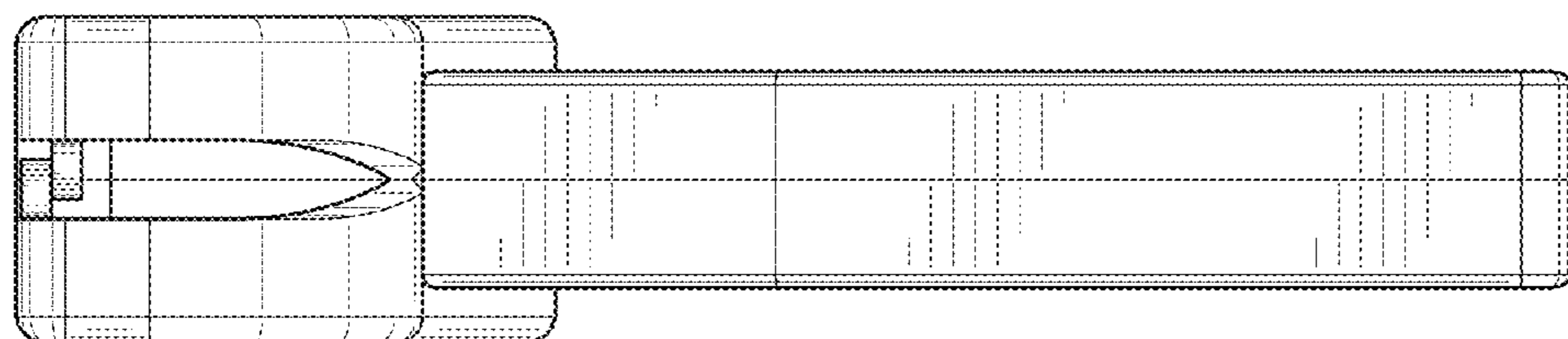
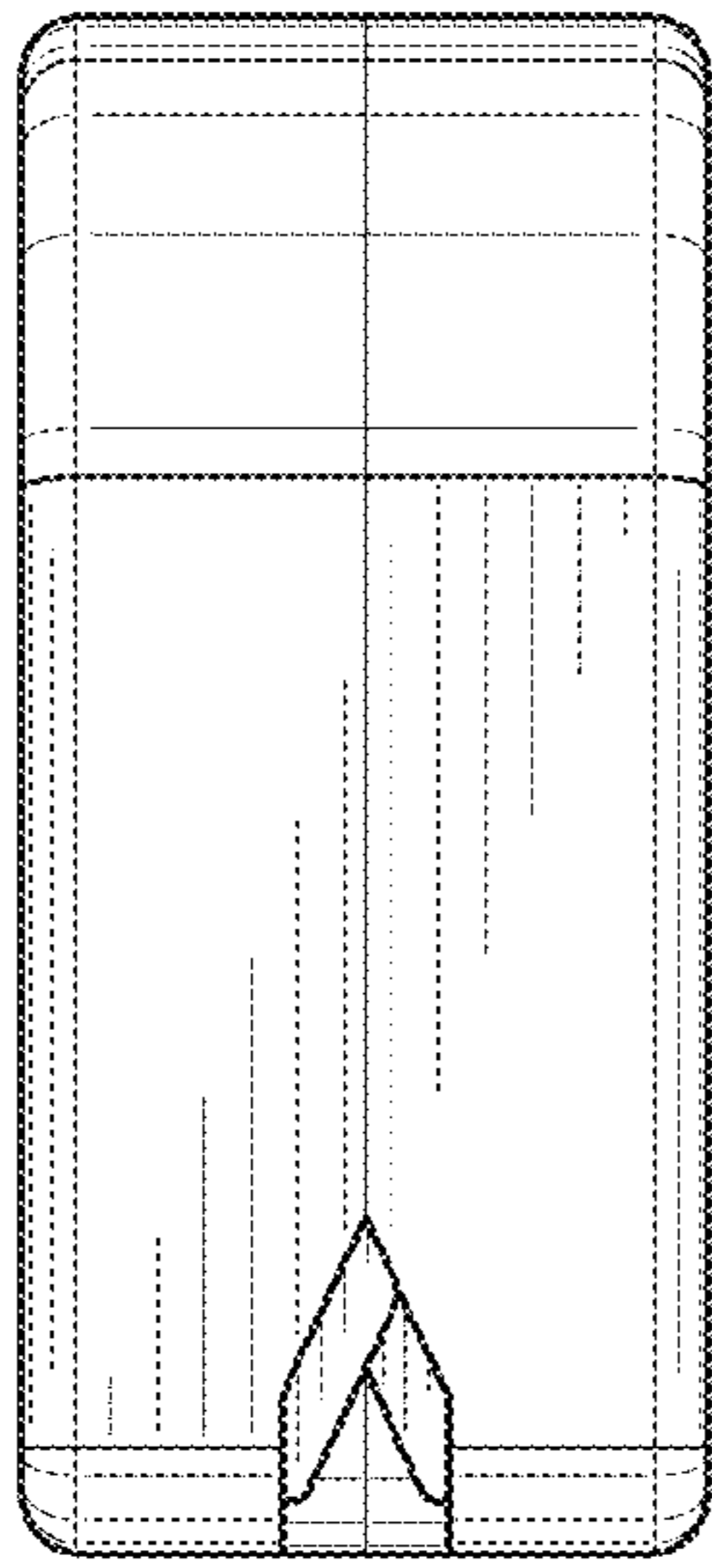
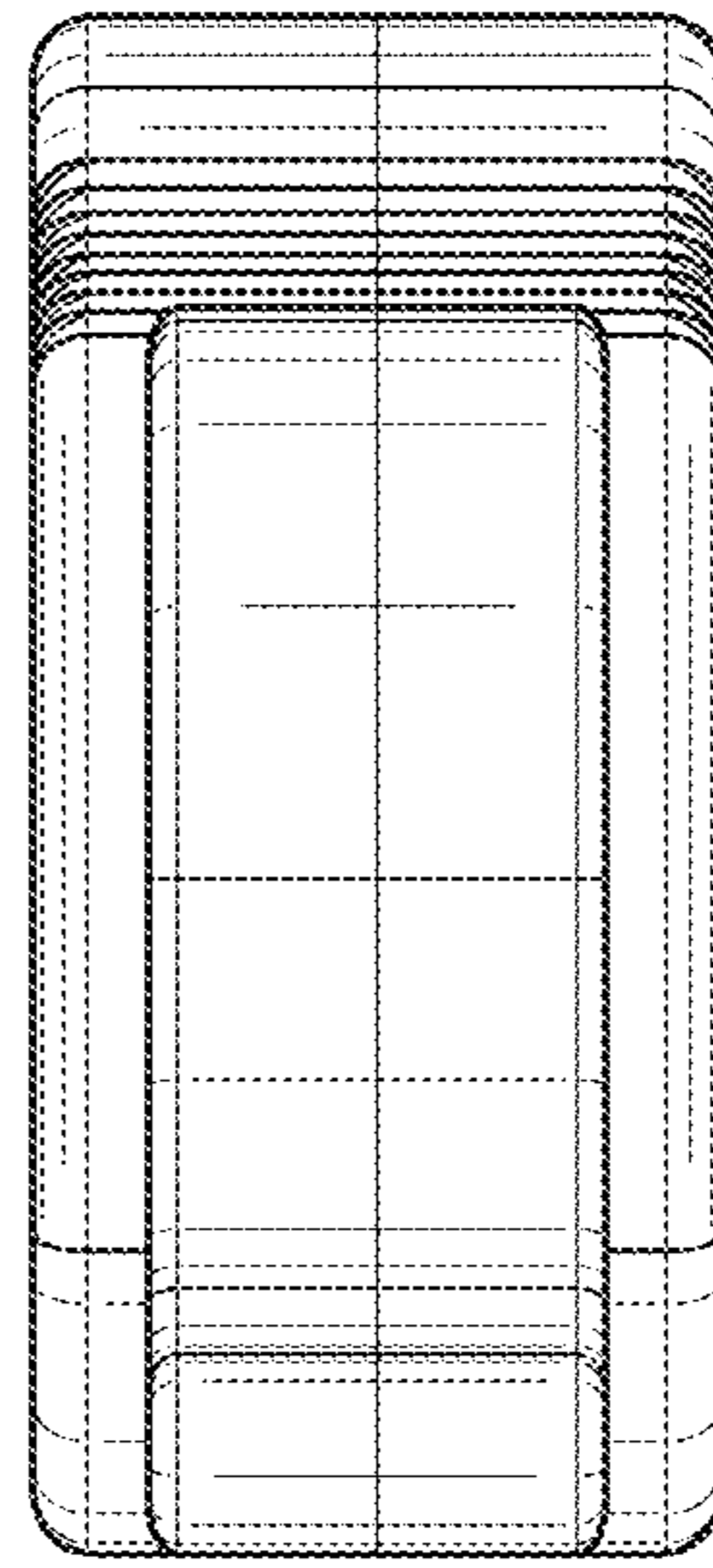


FIG. 5

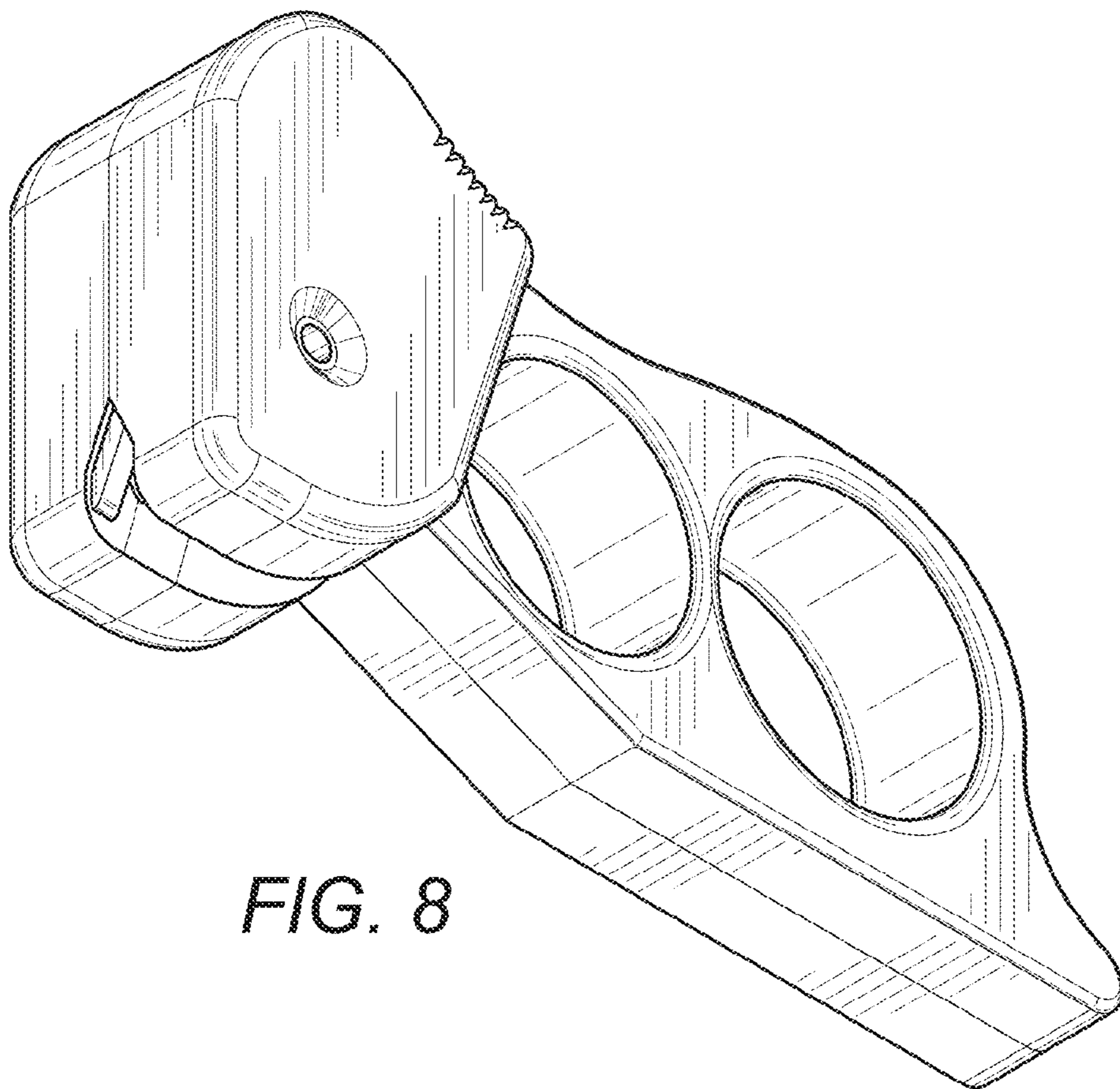




*FIG. 6*



*FIG. 7*



*FIG. 8*