



US00D744804S

(12) **United States Design Patent**  
**Johnson et al.**

(10) **Patent No.:** **US D744,804 S**  
(45) **Date of Patent:** **\*\* Dec. 8, 2015**

- (54) **MULTI-FUNCTION TOOL**
- (71) Applicant: **EZE-LAP Diamond Products, Inc.**,  
Carson City, NV (US)
- (72) Inventors: **Ralph Johnson**, Minden, NV (US);  
**Matt Fisher**, Reno, NV (US)
- (73) Assignee: **EZE-LAP Diamond Products, Inc.**,  
Carson City, NV (US)

5,782,681	A *	7/1998	Bresnahan	.....	B24D 15/00
					451/523
D404,278	S *	1/1999	Gore	.....	D8/91
D405,336	S *	2/1999	Hepworth	.....	D8/98
6,039,642	A *	3/2000	Collins	.....	B24D 15/06
					451/45
D499,004	S *	11/2004	Smith	.....	D8/91
D529,361	S *	10/2006	Brookman	.....	D8/91
D575,130	S *	8/2008	Smith	.....	D8/93
D593,392	S *	6/2009	Domonoske	.....	D8/98
D654,342	S *	2/2012	Cavanaugh, Jr.	.....	D8/93
8,221,199	B2	7/2012	Smith		

(\*\*) Term: **14 Years**

(Continued)

- (21) Appl. No.: **29/489,930**
- (22) Filed: **May 5, 2014**
- (51) **LOC (10) Cl.** ..... **08-05**
- (52) **U.S. Cl.**  
USPC ..... **D8/93**
- (58) **Field of Classification Search**  
USPC ..... D8/90-94, 98, 99, 105, 107; 451/349,  
451/461, 486, 552, 555-558; 76/82, 88  
CPC ..... B24B 3/54; B24B 3/546; B24D 15/065;  
B24D 15/08; B24D 15/081; B24D 15/082  
See application file for complete search history.

**OTHER PUBLICATIONS**

<http://www.justgunsstore.com/product/eze-lap-carbide-knife-sharpener-233734-1.htm> downloaded Sep. 4, 2015.\*

*Primary Examiner* — Philip S Hyder  
*Assistant Examiner* — Roselynn Cody  
(74) *Attorney, Agent, or Firm* — Holland & Hart LLP

(57) **CLAIM**  
The ornamental design for a multi-function tool, as shown and described.

**DESCRIPTION**

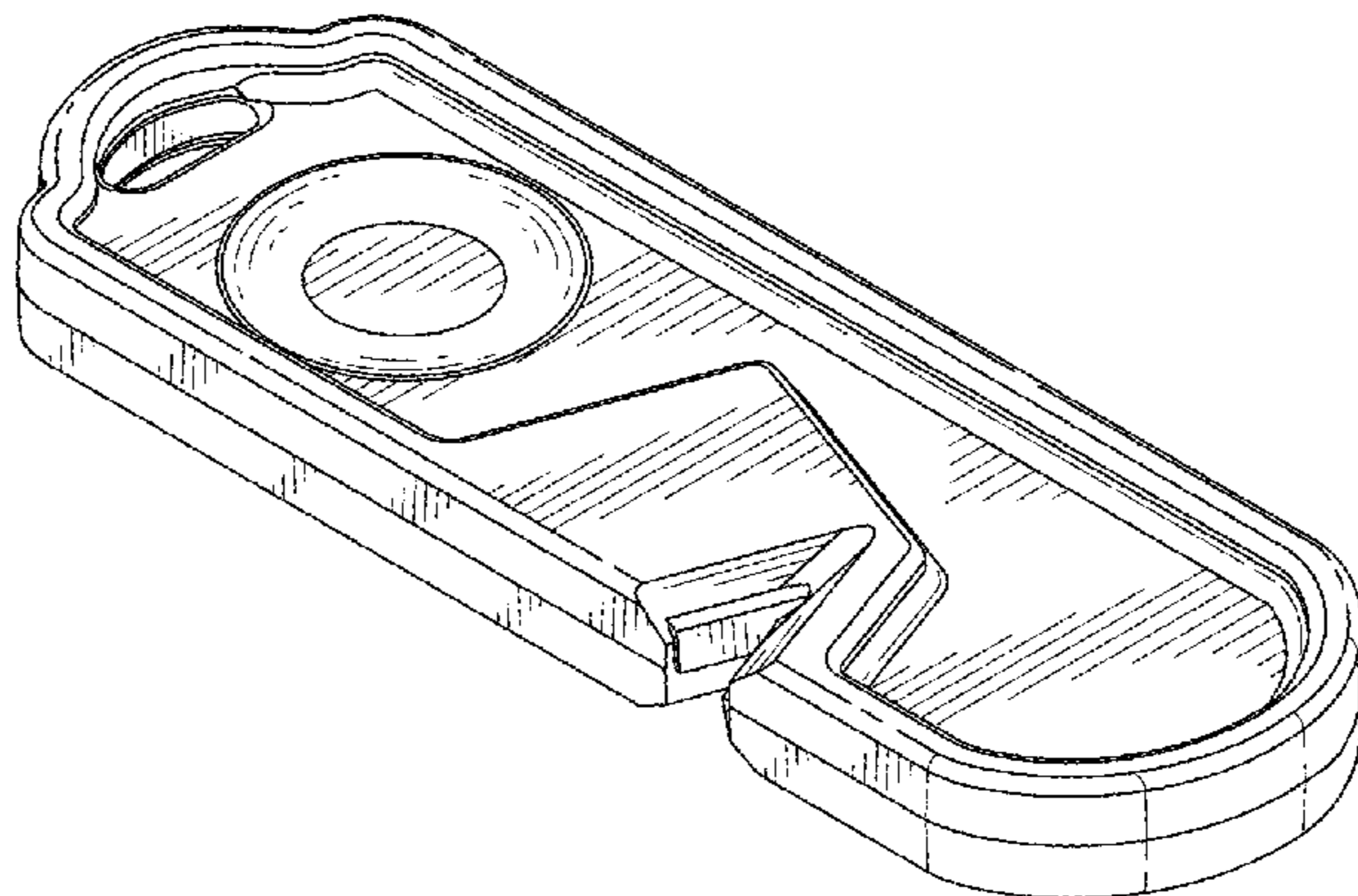
FIG. 1 is a perspective view of the multi-function tool showing our new design;  
FIG. 2 is a left side view of the multi-function tool shown in FIG. 1;  
FIG. 3 is a right side view of the multi-function tool shown in FIG. 1;  
FIG. 4 is a top view of the multi-function tool shown in FIG. 1;  
FIG. 5 is a bottom view of the multi-function tool shown in FIG. 1;  
FIG. 6 is a front side view of the multi-function tool shown in FIG. 1; and,  
FIG. 7 is a back side view of the multi-function tool shown in FIG. 1.

(56) **References Cited**

**U.S. PATENT DOCUMENTS**

899,213	A *	9/1908	Fitzgerald	.....	B24D 15/08
					451/555
2,994,234	A *	8/1961	Lizak	.....	B24D 15/065
					76/86
D217,084	S *	4/1970	Martin	.....	D8/91
D266,393	S *	10/1982	Mayer	.....	D8/93
D276,884	S *	12/1984	Carter	.....	D8/91
D276,885	S *	12/1984	Hall	.....	D8/91
D277,166	S *	1/1985	Call	.....	D8/91
4,494,340	A *	1/1985	Carter	.....	B24D 15/081
					451/555
D280,380	S *	9/1985	Graves	.....	D8/91
D286,738	S *	11/1986	Lucko	.....	D8/91
D304,153	S *	10/1989	Reichow	.....	D8/93
D375,442	S *	11/1996	Hughes	.....	D8/16

**1 Claim, 3 Drawing Sheets**



# US D744,804 S

Page 2

---

(56)

## References Cited

### U.S. PATENT DOCUMENTS

D680,845 S \* 4/2013 Smith ..... D8/93  
8,512,105 B2 8/2013 Smith

D721,564 S \* 1/2015 Purnomohadi ..... D8/98  
D723,898 S \* 3/2015 Smith ..... D8/105  
D731,278 S \* 6/2015 Cavanaugh ..... D8/105

\* cited by examiner

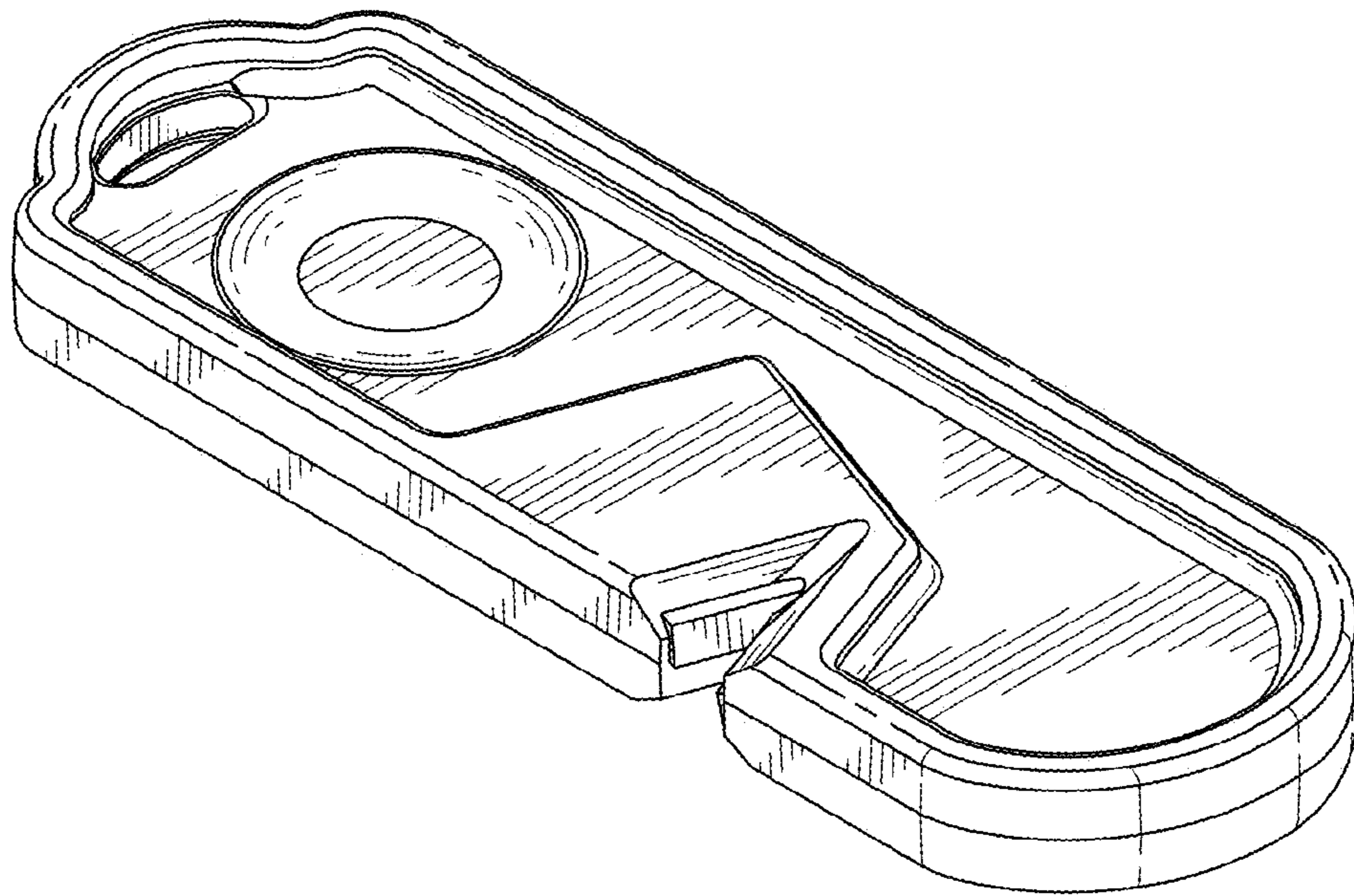


FIG. 1

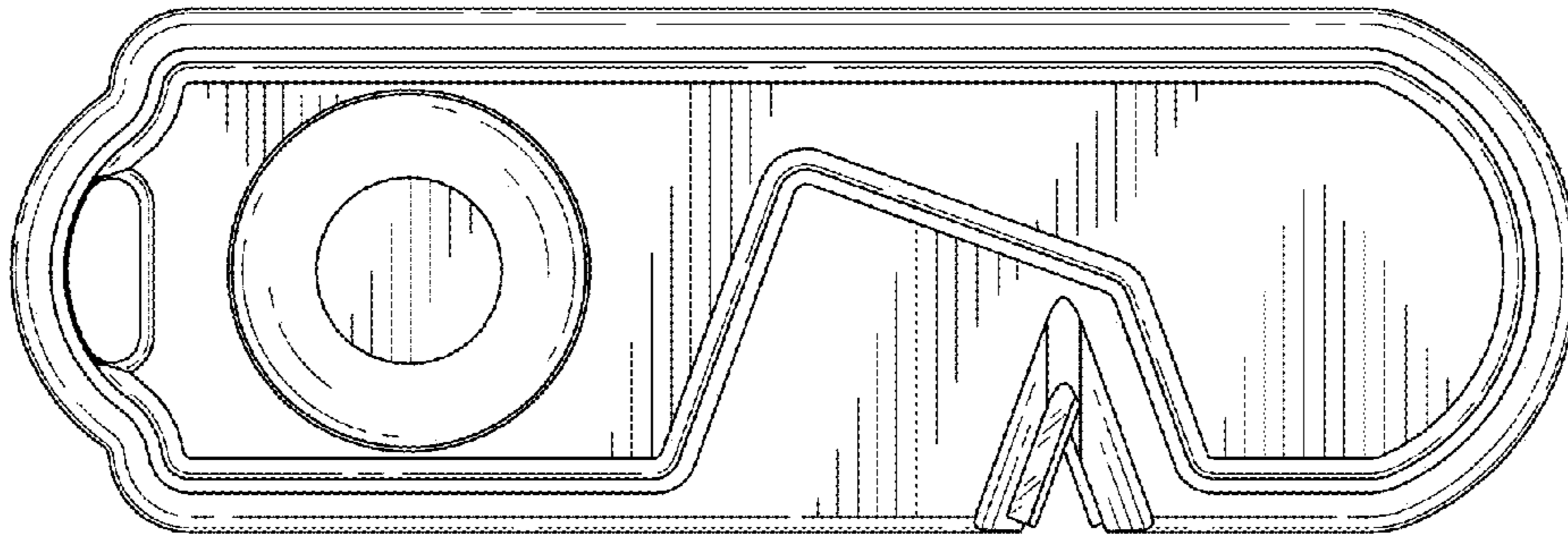


FIG. 2

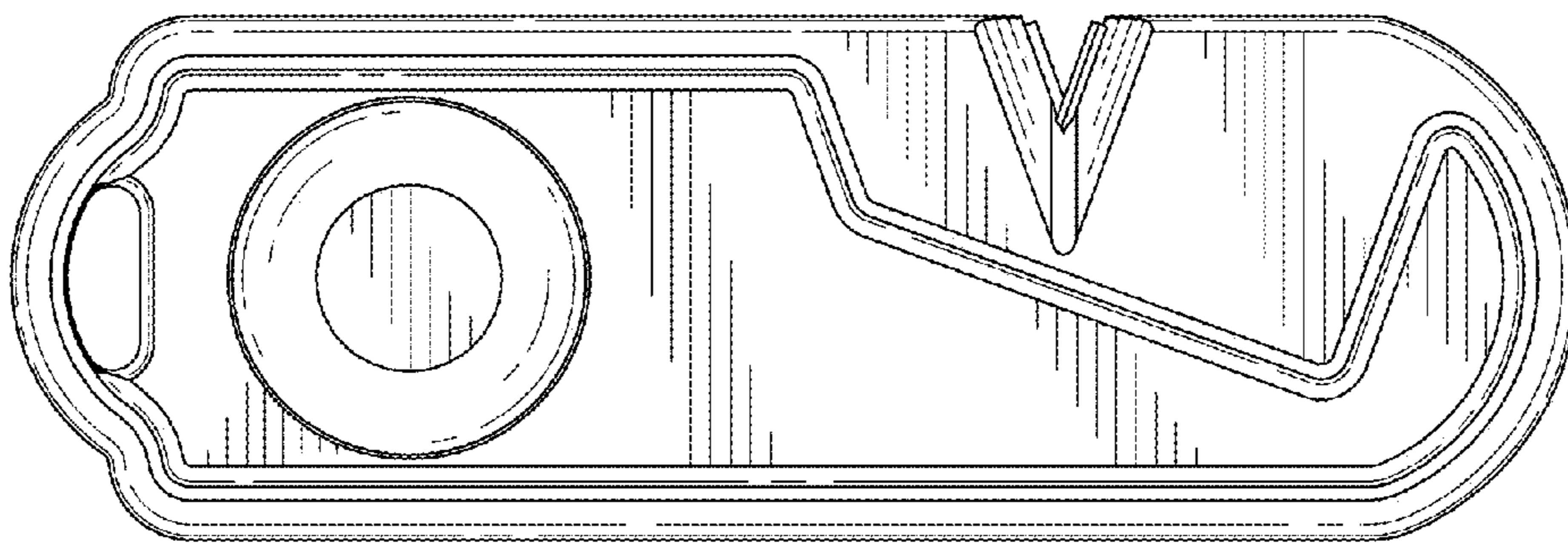


FIG. 3

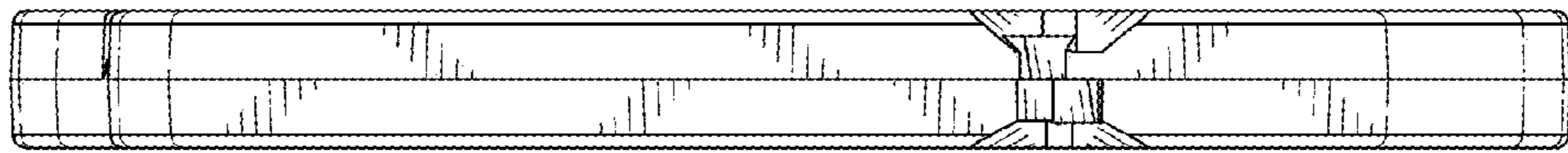


FIG. 4



FIG. 5

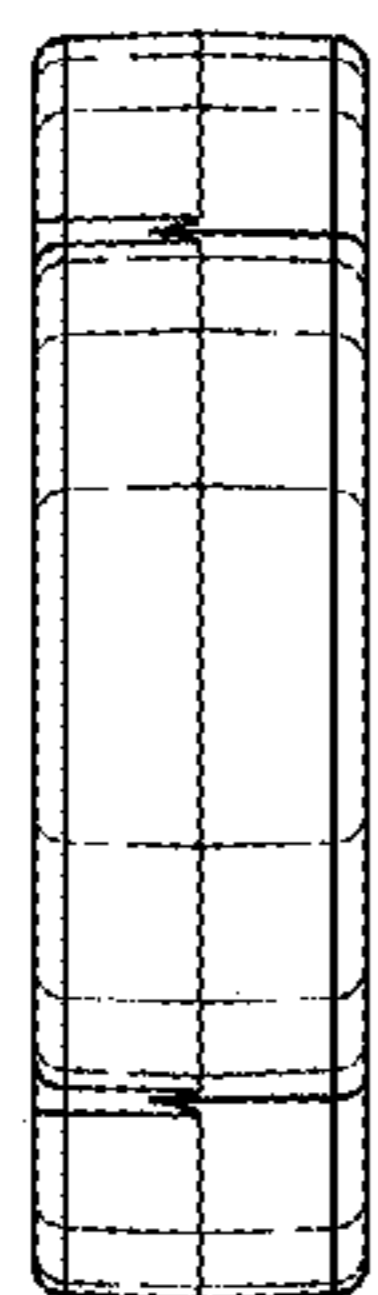


FIG. 6

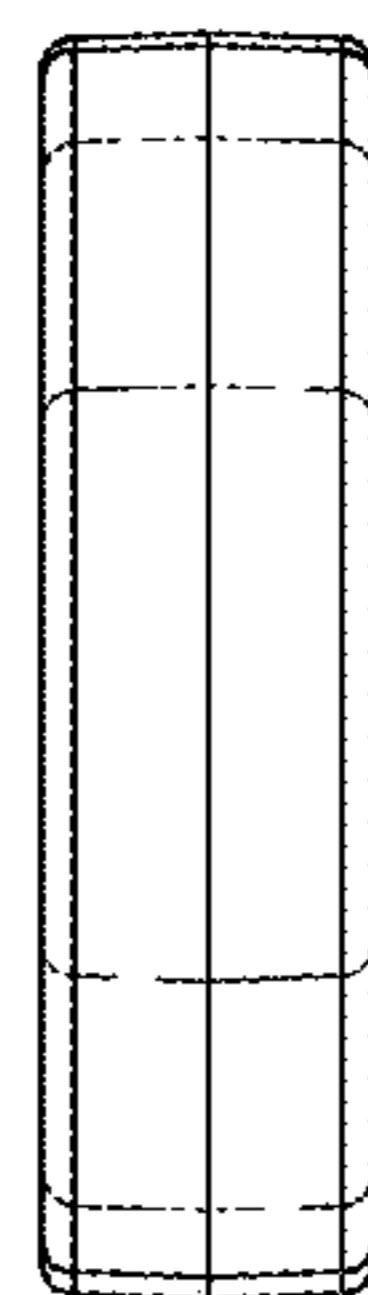


FIG. 7