



US00D744803S

(12) **United States Design Patent**
Johnson et al.

(10) **Patent No.:** **US D744,803 S**
(45) **Date of Patent:** **** Dec. 8, 2015**

- (54) **MULTI-FUNCTION TOOL**
- (71) Applicant: **EZE-LAP Diamond Products, Inc.**,
Carson City, NV (US)
- (72) Inventors: **Ralph Johnson**, Minden, NV (US);
Matt Fisher, Reno, NV (US)
- (73) Assignee: **EZE-LAP Diamond Products, Inc.**,
Carson City, NV (US)
- (**) Term: **14 Years**
- (21) Appl. No.: **29/489,921**
- (22) Filed: **May 5, 2014**
- (51) **LOC (10) Cl.** **08-05**
- (52) **U.S. Cl.**
USPC **D8/93**
- (58) **Field of Classification Search**
USPC D8/90-94, 98, 99, 105, 107; 451/349,
451/461, 486, 552, 555-558; 76/82, 88
CPC B24B 3/54; B24B 3/546; B24D 15/065;
B24D 15/08; B24D 15/081; B24D 15/082
See application file for complete search history.

5,782,681	A *	7/1998	Bresnahan	B24D 15/00 451/523
D404,278	S *	1/1999	Gore	D8/91
D405,336	S *	2/1999	Hepworth	D8/98
6,039,642	A *	3/2000	Collins	B24D 15/06 451/45
D499,004	S *	11/2004	Smith	D8/91
D529,361	S *	10/2006	Brookman	D8/91
D575,130	S *	8/2008	Smith	D8/93
D593,392	S *	6/2009	Domonoske	D8/98
D654,342	S *	2/2012	Cavanaugh, Jr.	D8/93
8,221,199	B2	7/2012	Smith	
D680,845	S *	4/2013	Smith	D8/93
8,512,105	B2	8/2013	Smith	
D721,564	S *	1/2015	Purnomohadi	D8/98
D723,898	S *	3/2015	Smith	D8/105
D731,278	S *	6/2015	Cavanaugh	D8/105

* cited by examiner

Primary Examiner — Philip S Hyder
Assistant Examiner — Roselynn Cody
(74) *Attorney, Agent, or Firm* — Holland & Hart LLP

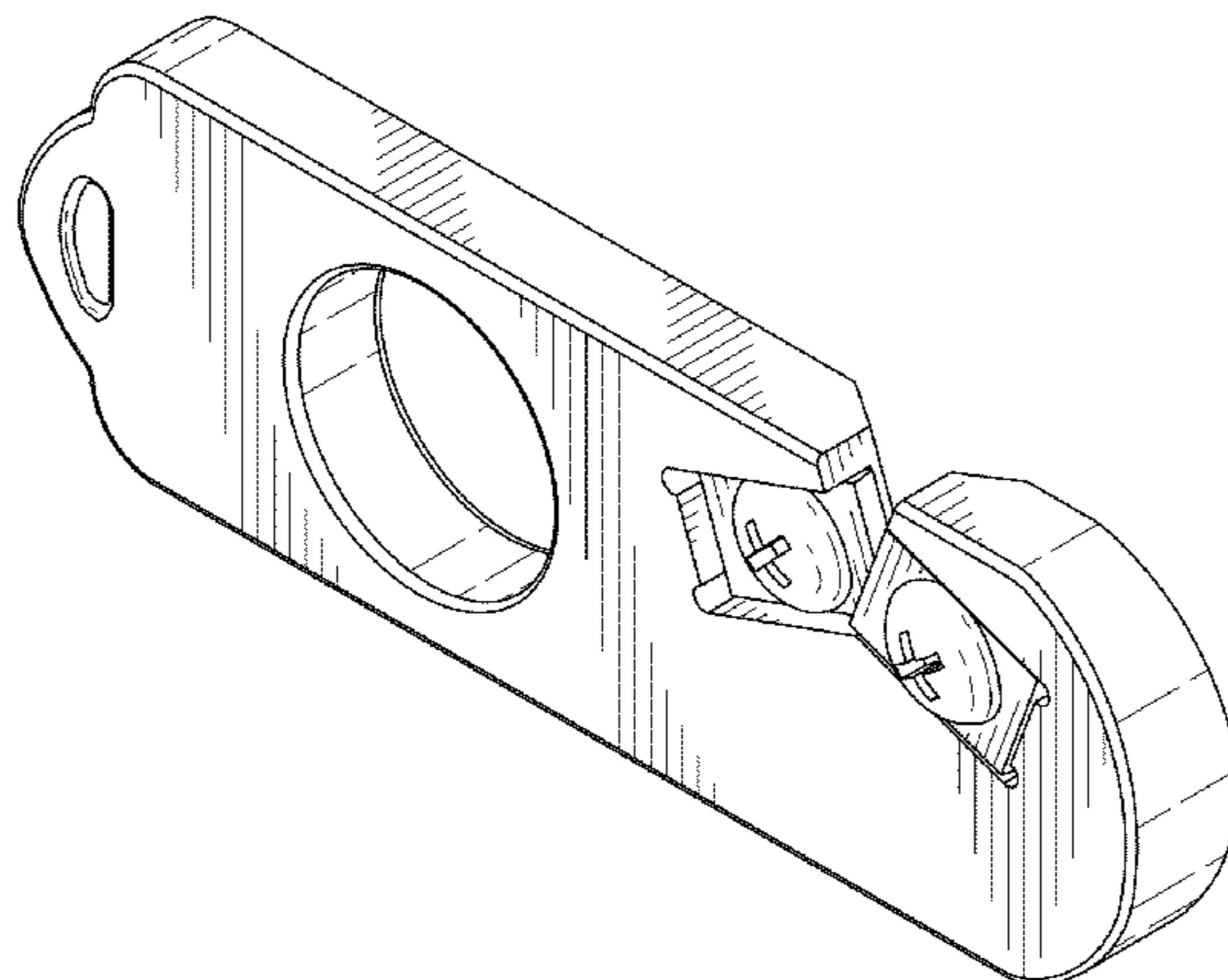
(57) **CLAIM**
The ornamental design for a multi-function tool, as shown and described.

DESCRIPTION

FIG. 1 is a perspective view of the multi-function tool showing our new design;
FIG. 2 is a left side view of the multi-function tool shown in FIG. 1;
FIG. 3 is a right side view of the multi-function Tool shown in FIG. 1;
FIG. 4 is a top view of the multi-function tool shown in FIG. 1;
FIG. 5 is a bottom view of the multi-function tool shown in FIG. 1;
FIG. 6 is a front side view of the multi-function tool shown in FIG. 1; and,
FIG. 7 is a back side view of the multi-function tool shown in FIG. 1.

1 Claim, 3 Drawing Sheets

- (56) **References Cited**
U.S. PATENT DOCUMENTS
- 899,213 A * 9/1908 Fitzgerald D24D 15/08
451/555
- 2,994,234 A * 8/1961 Lizak D24D 15/065
D15/65
- D217,084 S * 4/1970 Martin D8/91
- D266,393 S * 10/1982 Mayer D8/93
- D276,884 S * 12/1984 Carter D8/91
- D276,885 S * 12/1984 Hall D8/91
- D277,166 S * 1/1985 Call D8/91
- 4,494,340 A * 1/1985 Carter B24D 15/081
451/555
- D280,380 S * 9/1985 Graves D8/91
- D286,738 S * 11/1986 Lucko D8/91
- D304,153 S * 10/1989 Reichow D8/93
- D375,442 S * 11/1996 Hughes D8/16



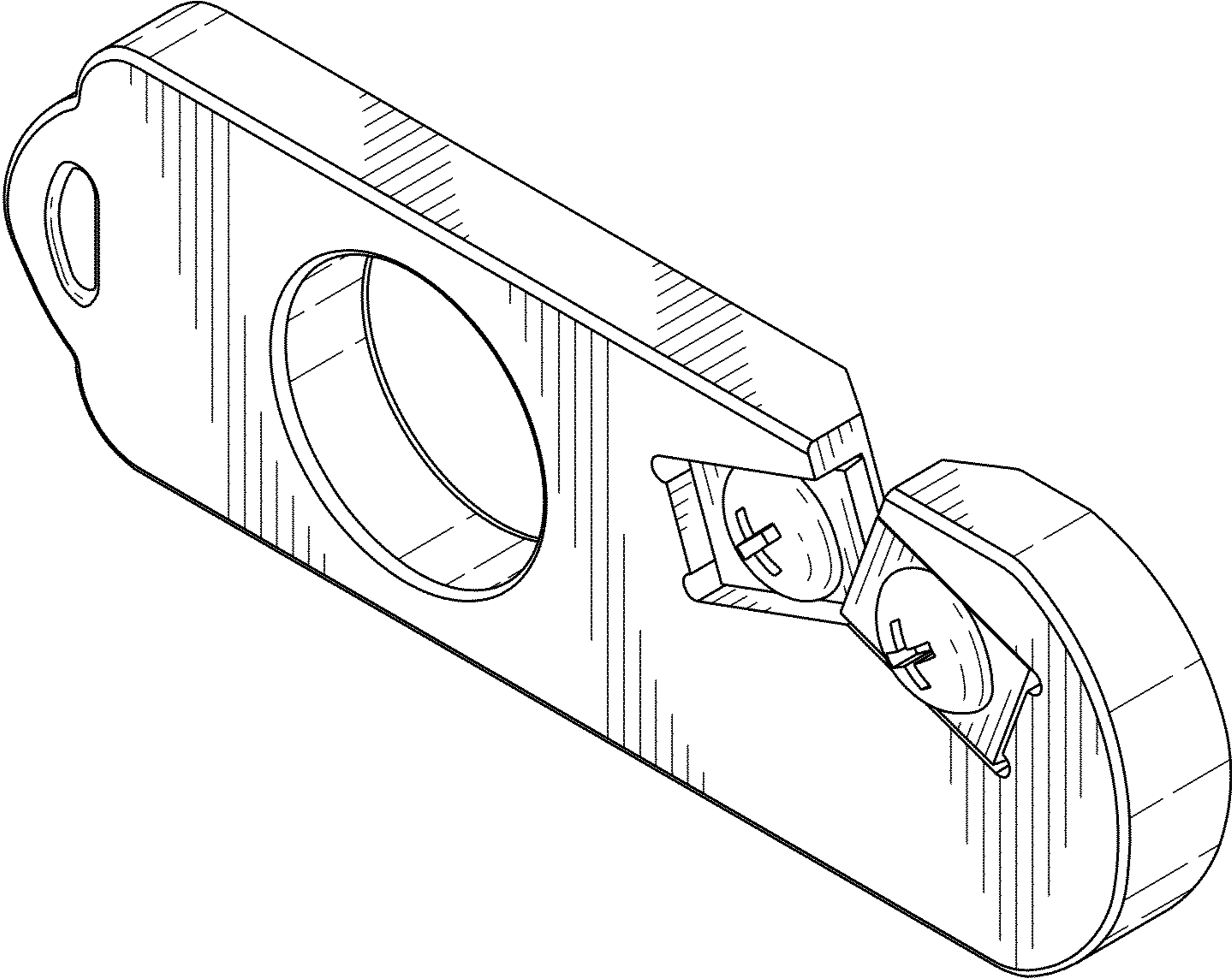


FIG. 1

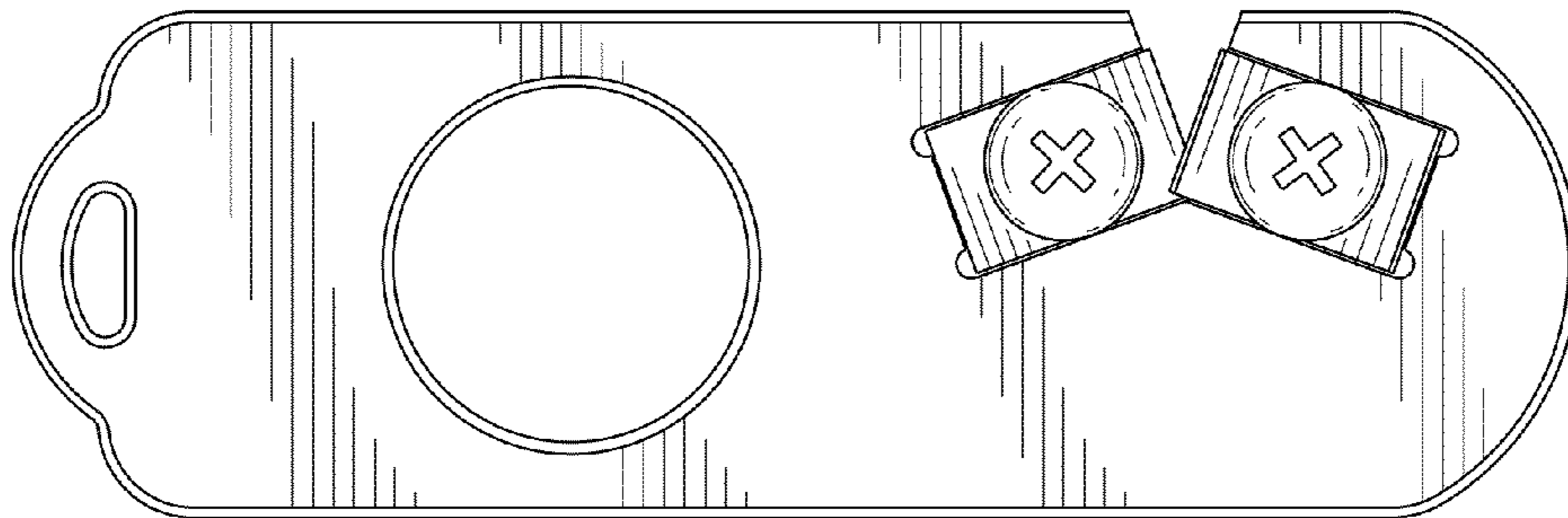


FIG. 2

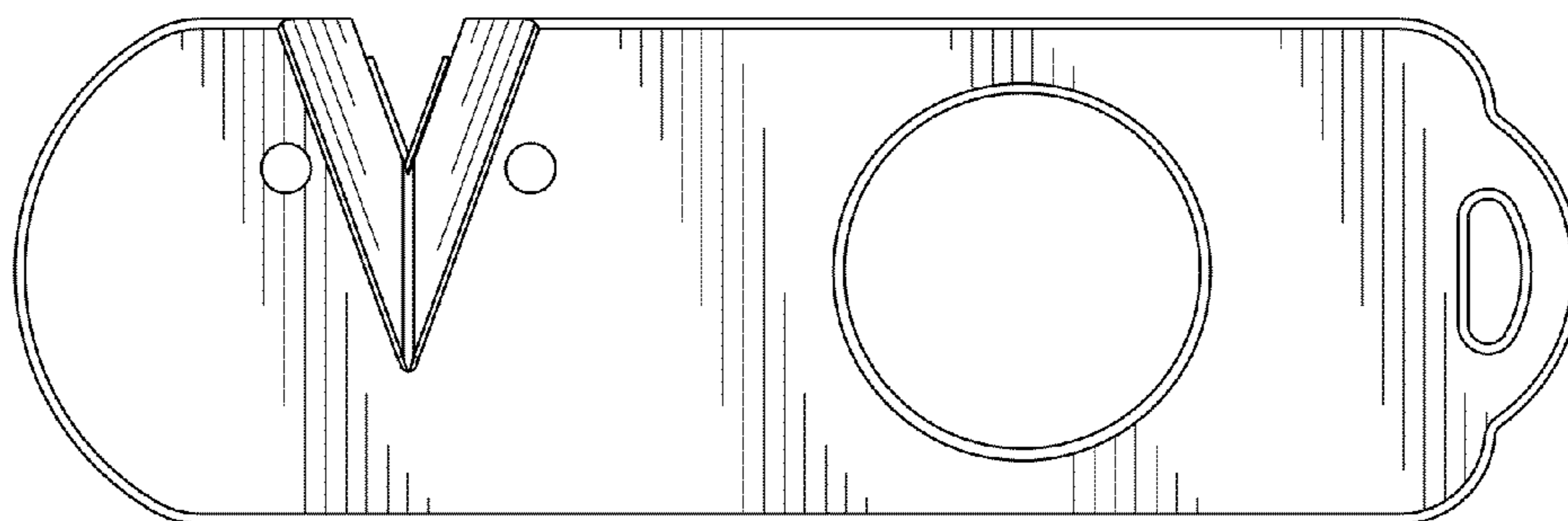


FIG. 3

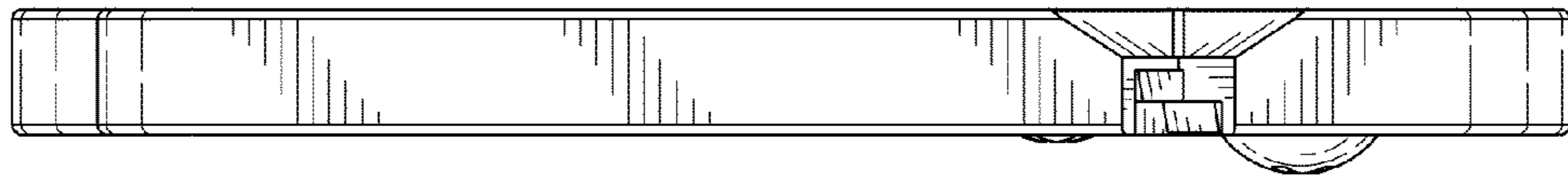


FIG. 4

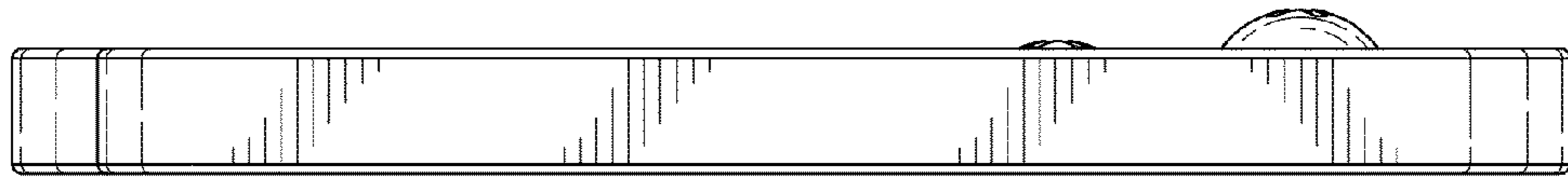


FIG. 5

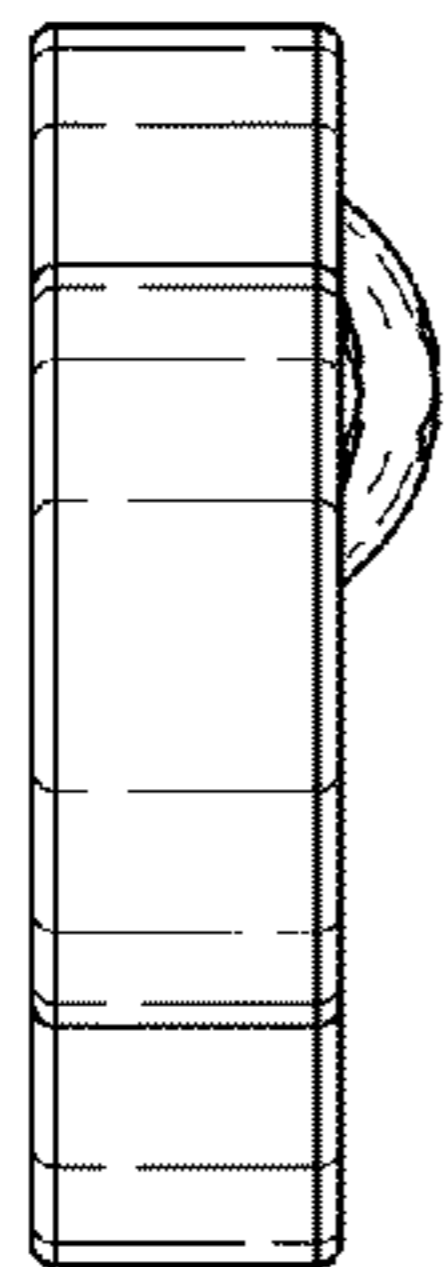


FIG. 6

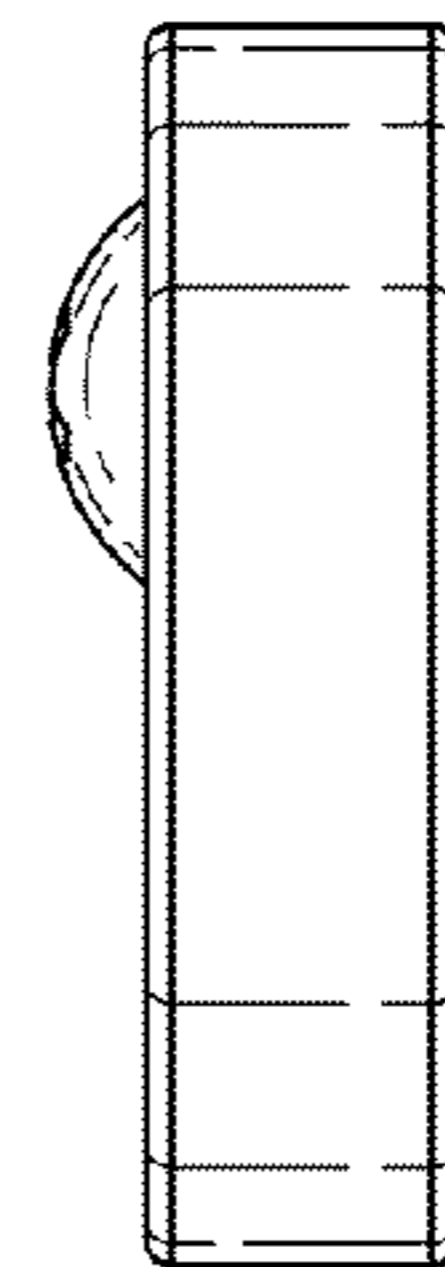


FIG. 7