



US00D744800S

(12) **United States Design Patent**  
**Cooksey et al.**

(10) **Patent No.:** **US D744,800 S**  
(45) **Date of Patent:** **\*\* Dec. 8, 2015**

- (54) **POWER TOOL BLADE GUARD**
- (71) Applicant: **Milwaukee Electric Tool Corporation**,  
Brookfield, WI (US)
- (72) Inventors: **Charles K. Cooksey**, Menomonee Falls,  
WI (US); **Daryl S. Richards**, Sussex, WI  
(US)
- (73) Assignee: **Milwaukee Electric Tool Corporation**,  
Brookfield, WI (US)

5,384,985 A	1/1995	Jacobsson	
5,601,483 A	2/1997	Rudolf et al.	
5,637,035 A	6/1997	Yee	
5,766,062 A	6/1998	Edling	
RE36,909 E	10/2000	Satos	
D433,906 S *	11/2000	Heun .....	D8/61
D456,234 S	4/2002	Keller	
D456,685 S *	5/2002	Keller .....	D8/70
D458,825 S	6/2002	Keller et al.	
6,464,573 B1	10/2002	Keller	
6,569,001 B2	5/2003	Rudolf et al.	
6,814,655 B2 *	11/2004	Hofmann .....	B24B 23/02 451/342

- (\*\*) Term: **14 Years**
- (21) Appl. No.: **29/496,660**
- (22) Filed: **Jul. 16, 2014**
- (51) **LOC (10) Cl.** ..... **08-03**
- (52) **U.S. Cl.**  
USPC ..... **D8/70**
- (58) **Field of Classification Search**  
USPC ..... D8/70; D10/64; D15/138; D24/146;  
30/166.3, 169, 272.1, 277.4, 294, 339,  
30/347, 389, 392; 83/665, 666, 676, 835,  
83/886; 125/15, 25, 13.01; 403/3, 316,  
403/359.3, 163; 451/8, 28, 57, 163, 294,  
451/342, 344, 349, 353, 356, 357, 359, 360,  
451/41, 490, 494, 508, 509, 510, 511, 548,  
451/559  
CPC ..... B23D 51/10; B24B 23/04; B24B 45/006;  
B24B 55/05; B24B 55/052; B24D 7/16;  
B25F 3/00  
See application file for complete search history.

- (56) **References Cited**  
U.S. PATENT DOCUMENTS  
4,574,532 A 3/1986 Häberle et al.  
4,924,635 A 5/1990 Rudolf et al.  
5,157,873 A 10/1992 Rudolf et al.  
5,163,252 A 11/1992 Garner et al.  
5,319,889 A 6/1994 Rudolf et al.

(Continued)

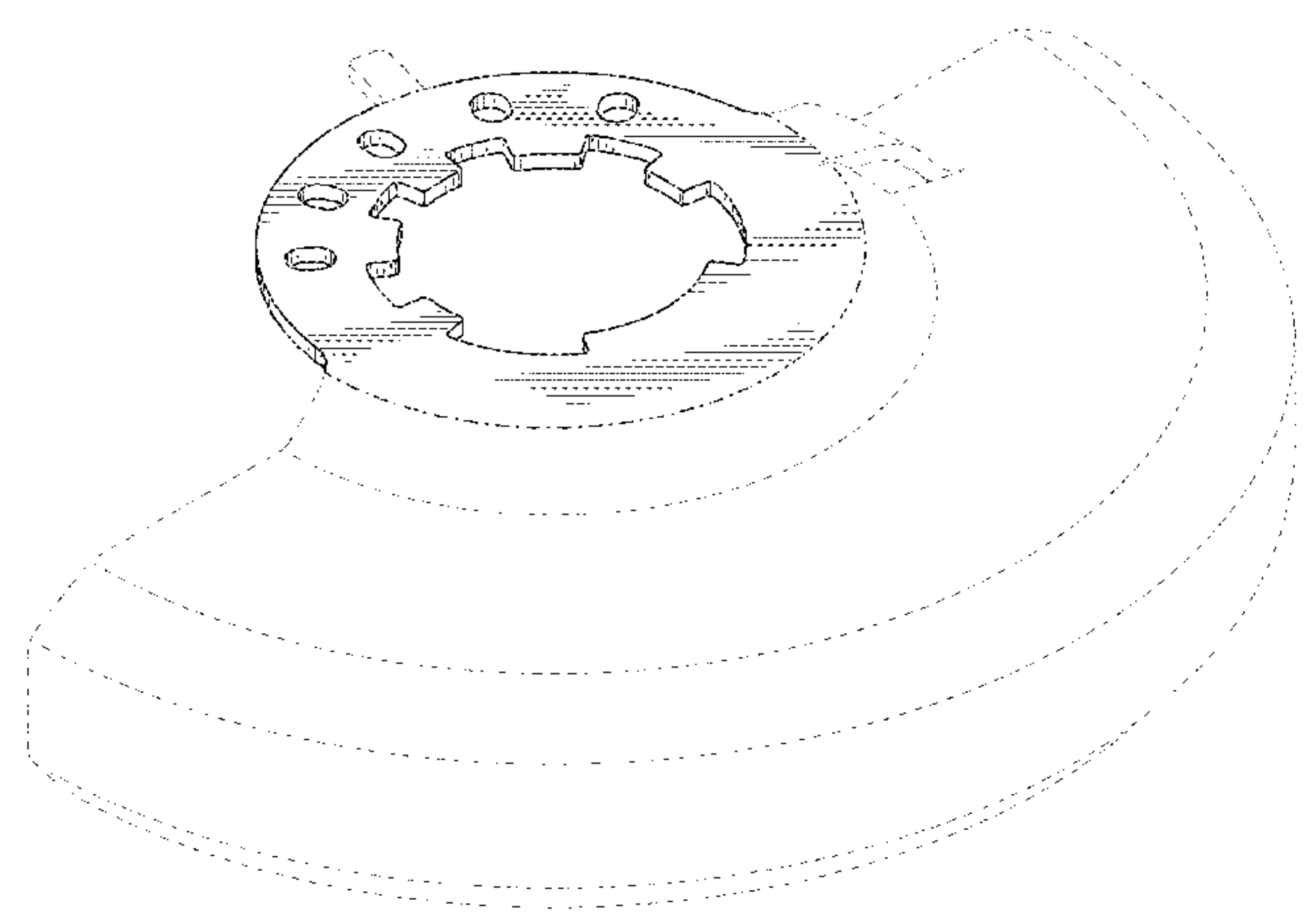
*Primary Examiner* — Philip S Hyder  
*Assistant Examiner* — Darlington Ly  
 (74) *Attorney, Agent, or Firm* — Michael Best & Friedrich LLP

(57) **CLAIM**  
 We claim the ornamental design for a power tool blade guard,  
 as shown and described.

**DESCRIPTION**

FIG. 1 is a top perspective view of a power tool blade guard in accordance to our invention.  
 FIG. 2 is a left side view of the power tool blade guard of FIG. 1.  
 FIG. 3 is a right side view of the power tool blade guard of FIG. 1.  
 FIG. 4 is a front view of the power tool blade guard of FIG. 1.  
 FIG. 5 is a rear view of the power tool blade guard of FIG. 1.  
 FIG. 6 is a top view of the power tool blade guard of FIG. 1; and,  
 FIG. 7 is a bottom view of the power tool blade guard of FIG. 1.  
 The even broken lines in the drawings illustrate portions of the power tool blade guard that forms no part of the claimed design. The broken lines in dash-dot form illustrate boundaries of the claimed design and form no part of the claimed design.

**1 Claim, 5 Drawing Sheets**



(56)

References Cited

U.S. PATENT DOCUMENTS

6,942,560 B2 *	9/2005	Hofmann	.....	B24B 45/006 451/359	D651,877 S *	1/2012	Davidian	.....	D10/64
6,949,017 B2	9/2005	Koschel et al.			D651,878 S *	1/2012	Davidian	.....	D10/64
D511,285 S	11/2005	Henssler et al.			D652,274 S *	1/2012	Davidian	.....	D10/64
7,059,947 B2	6/2006	Crover			8,221,197 B2	7/2012	Boeck et al.		
7,077,734 B2 *	7/2006	Tiede	.....	B24B 23/04 451/357	8,231,436 B2	7/2012	Boeck et al.		
7,131,897 B2	11/2006	Crover			D669,754 S *	10/2012	Wackwitz	.....	D8/70
7,175,513 B2	2/2007	Folin			8,282,446 B2	10/2012	Sulea et al.		
D553,933 S *	10/2007	Esenwein	.....	D8/70	8,454,411 B2	6/2013	Boeck et al.		
7,524,239 B2	4/2009	Schmidberger-Brinek et al.			8,454,412 B2	6/2013	Esenwein		
7,892,075 B2	2/2011	Esenwein			D694,076 S *	11/2013	Davidian	.....	D8/20
D633,928 S *	3/2011	Nilsson	.....	D15/138	D694,597 S *	12/2013	Davidian	.....	D8/20
7,909,680 B2	3/2011	Boeck et al.			D694,598 S *	12/2013	Davidian	.....	D8/20
7,927,191 B2	4/2011	Esenwein			D694,599 S *	12/2013	Davidian	.....	D8/20
7,955,162 B2	6/2011	Boeck et al.			D697,384 S *	1/2014	Wackwitz	.....	D15/140
D651,062 S *	12/2011	Wackwitz	.....	D8/70	D709,341 S *	7/2014	Nispel	.....	D8/20
D651,499 S *	1/2012	Tong	.....	D8/70	D724,923 S *	3/2015	McRoberts	.....	D8/20
D651,874 S *	1/2012	Davidian	.....	D10/64	D735,568 S *	8/2015	Barnett	.....	D8/396
D651,875 S *	1/2012	Davidian	.....	D10/64	2004/0138668 A1 *	7/2004	Fisher	.....	A61B 17/14 606/82
D651,876 S *	1/2012	Davidian	.....	D10/64	2010/0056029 A1 *	3/2010	Grunikiewicz	.....	B23B 31/008 451/442
					2010/0105300 A1	4/2010	Esenwein		
					2010/0304648 A1	12/2010	Boeck et al.		

\* cited by examiner

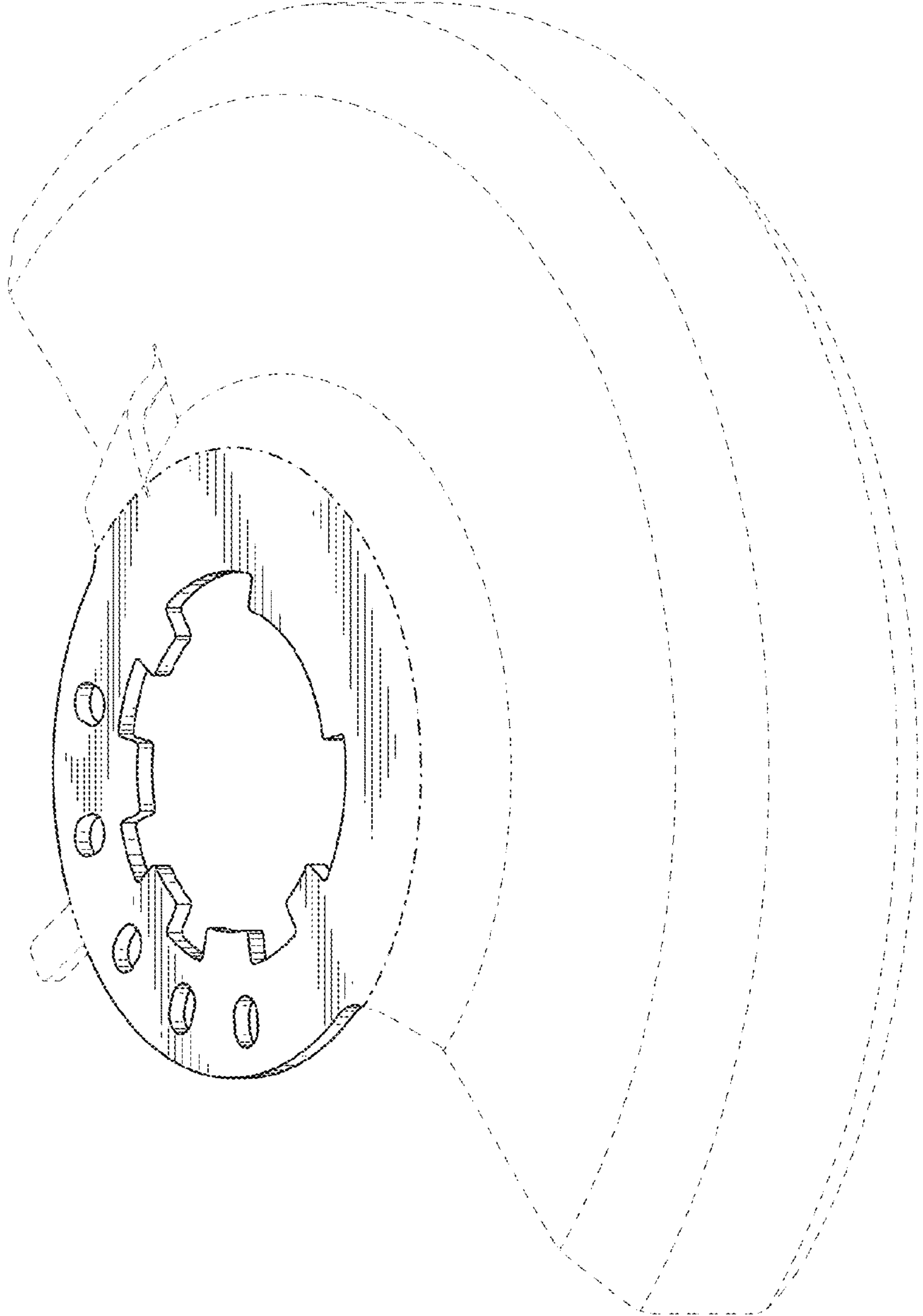
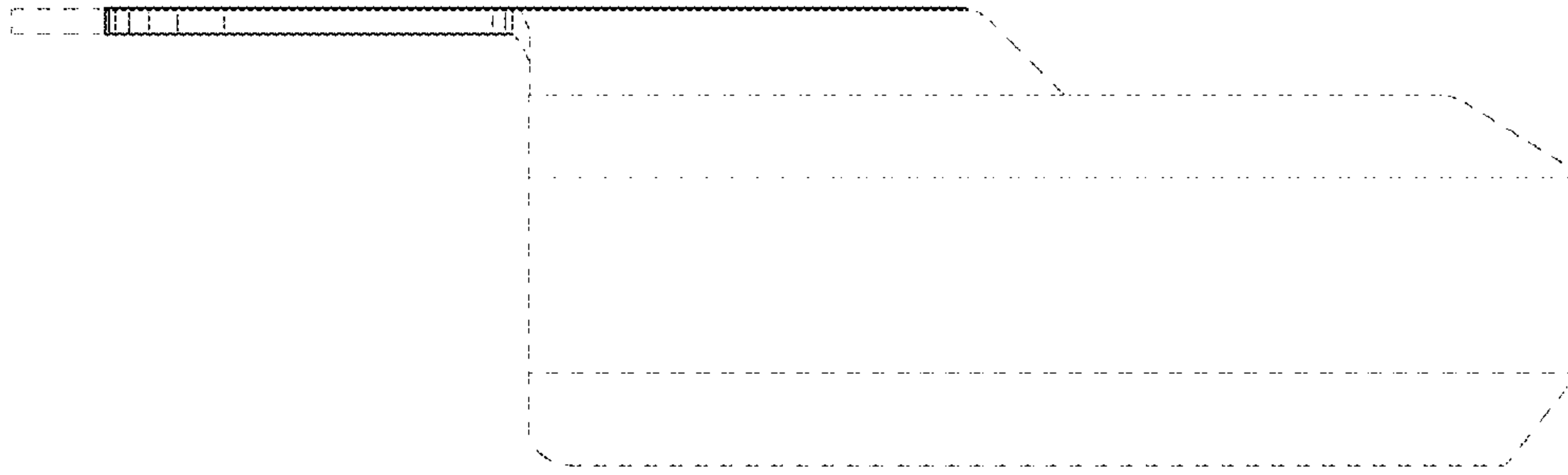
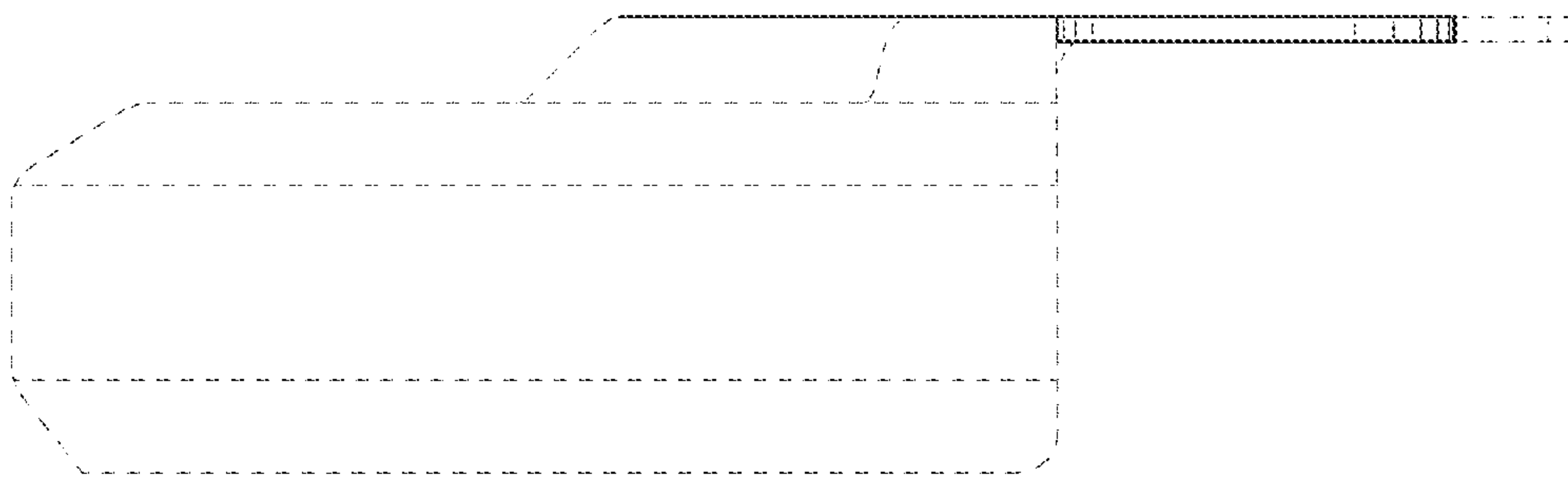


FIG. 1



**FIG. 2**



**FIG. 3**

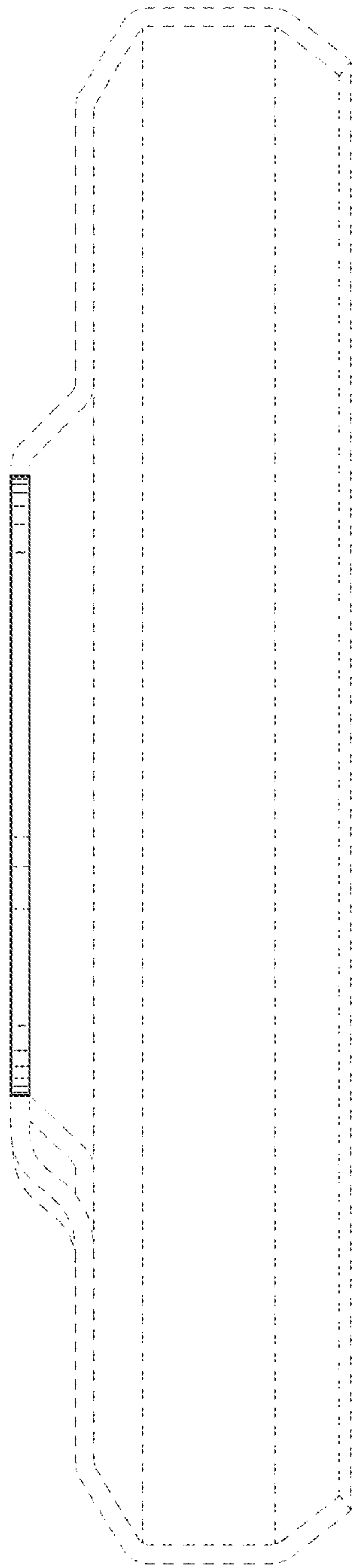


FIG. 4

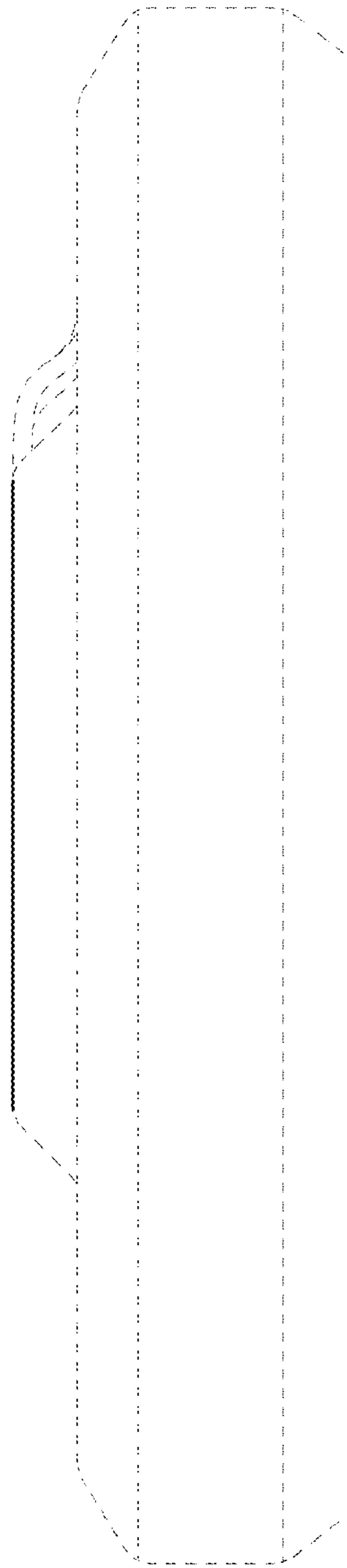


FIG. 5

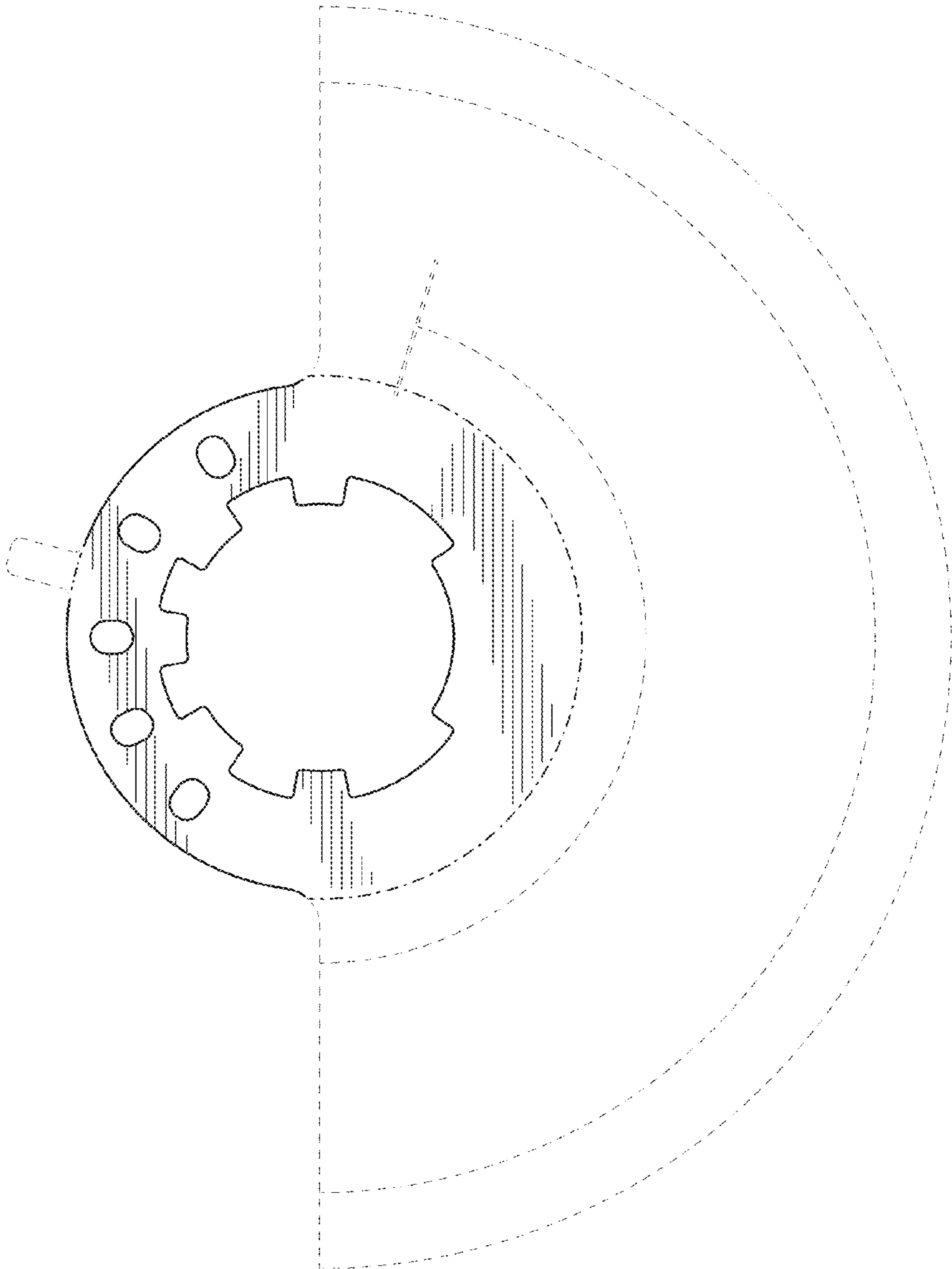


FIG. 6



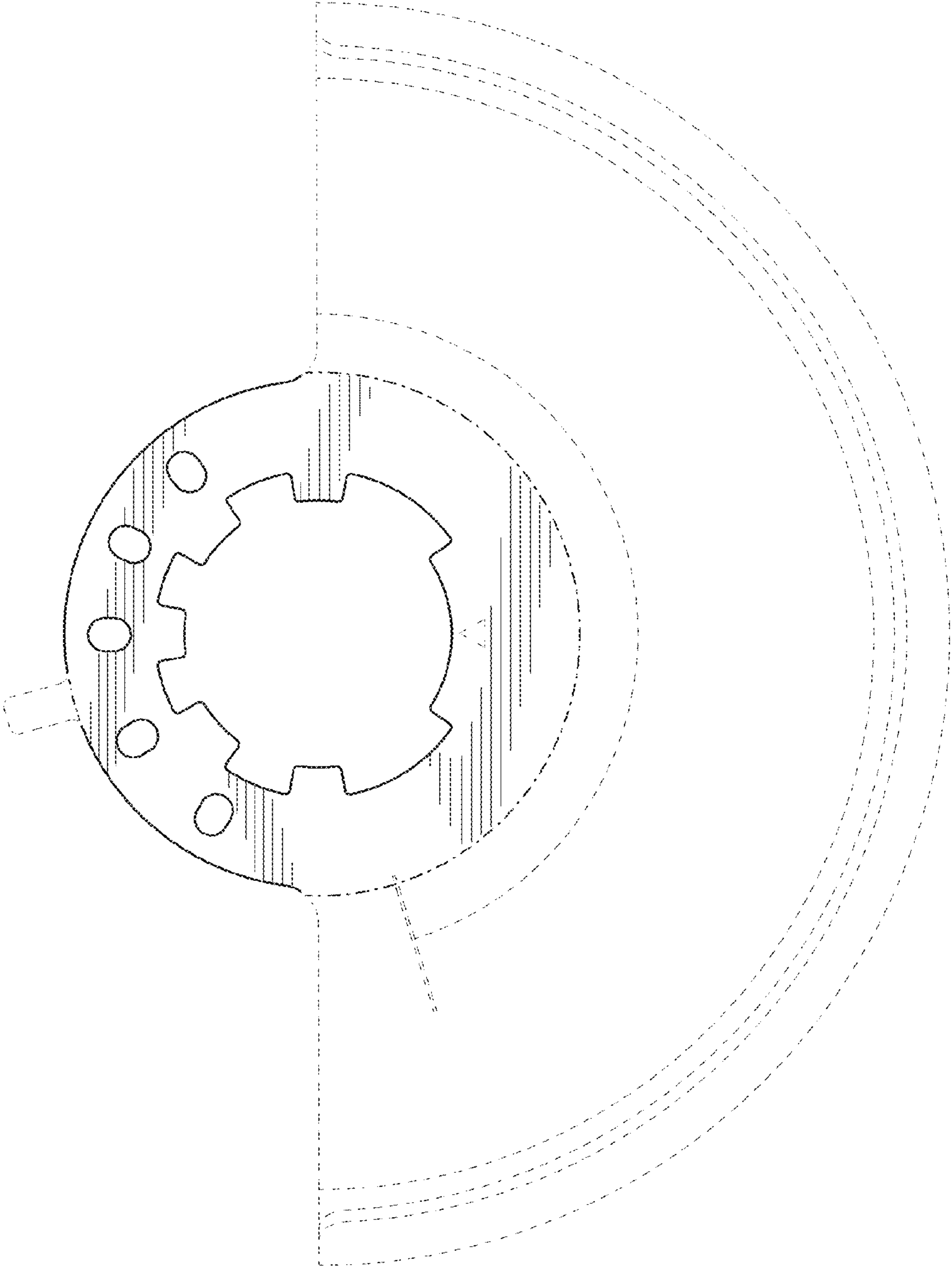


FIG. 7