



US00D744799S

(12) **United States Design Patent**
Rodenhouse et al.

(10) **Patent No.:** **US D744,799 S**
(45) **Date of Patent:** **** Dec. 8, 2015**

(54) **FASTENER GUN SELF CENTERING ON WASHER MATING CONTOURED RING DEVICE**

(71) Applicant: **Rodenhouse, Inc.**, Grand Rapids, MI (US)

(72) Inventors: **Robert H. Rodenhouse**, Grand Rapids, MI (US); **Jason R. Wigboldy**, Grand Rapids, MI (US)

(73) Assignee: **Rodenhouse, Inc.**, Grand Rapids, MI (US)

(**) Term: **14 Years**

(21) Appl. No.: **29/466,353**

(22) Filed: **Sep. 6, 2013**

(51) **LOC (10) Cl.** **08-01**

(52) **U.S. Cl.**
USPC **D8/70**

(58) **Field of Classification Search**
USPC D8/68, 70, 71, 349-360.1, 399
CPC B25C 7/00; B25C 21/00
See application file for complete search history.

(56) **References Cited**

U.S. PATENT DOCUMENTS

D32,793 S	6/1900	Fauber	
3,790,922 A *	2/1974	Normann	439/544
3,994,749 A *	11/1976	Decker et al.	429/53
4,102,239 A	7/1978	Dallas	
4,531,805 A *	7/1985	Werth	439/607.27
4,793,757 A	12/1988	Peterson	
5,079,055 A	1/1992	Doyle	
5,310,359 A *	5/1994	Chadbourne et al.	439/462
5,419,666 A	5/1995	Best	
5,423,858 A	6/1995	Bolanos et al.	
5,517,883 A	5/1996	Goldi et al.	
5,541,377 A	7/1996	Stuhlmacher	

5,833,422 A	11/1998	Haga et al.	
6,039,525 A *	3/2000	Johnson	411/353
D482,270 S	11/2003	Derilo	
D549,091 S	8/2007	McIntyre et al.	
D576,480 S	9/2008	Vakiener et al.	
D596,934 S	7/2009	Vakiener et al.	
D660,691 S	5/2012	Yamazaki	
8,413,740 B2 *	4/2013	Rodenhouse	173/29
2006/0171794 A1 *	8/2006	Ordonio et al.	411/369

(Continued)

OTHER PUBLICATIONS

Brochure disclosing 2" diameter Plasti-Grip® PBLP2 washer distributed by Rodenhouse Inc. more than one year prior to Sep. 6, 2012.

(Continued)

Primary Examiner — Mitchell Siegel

(74) *Attorney, Agent, or Firm* — Gardner, Linn, Burkhart & Flory, LLP

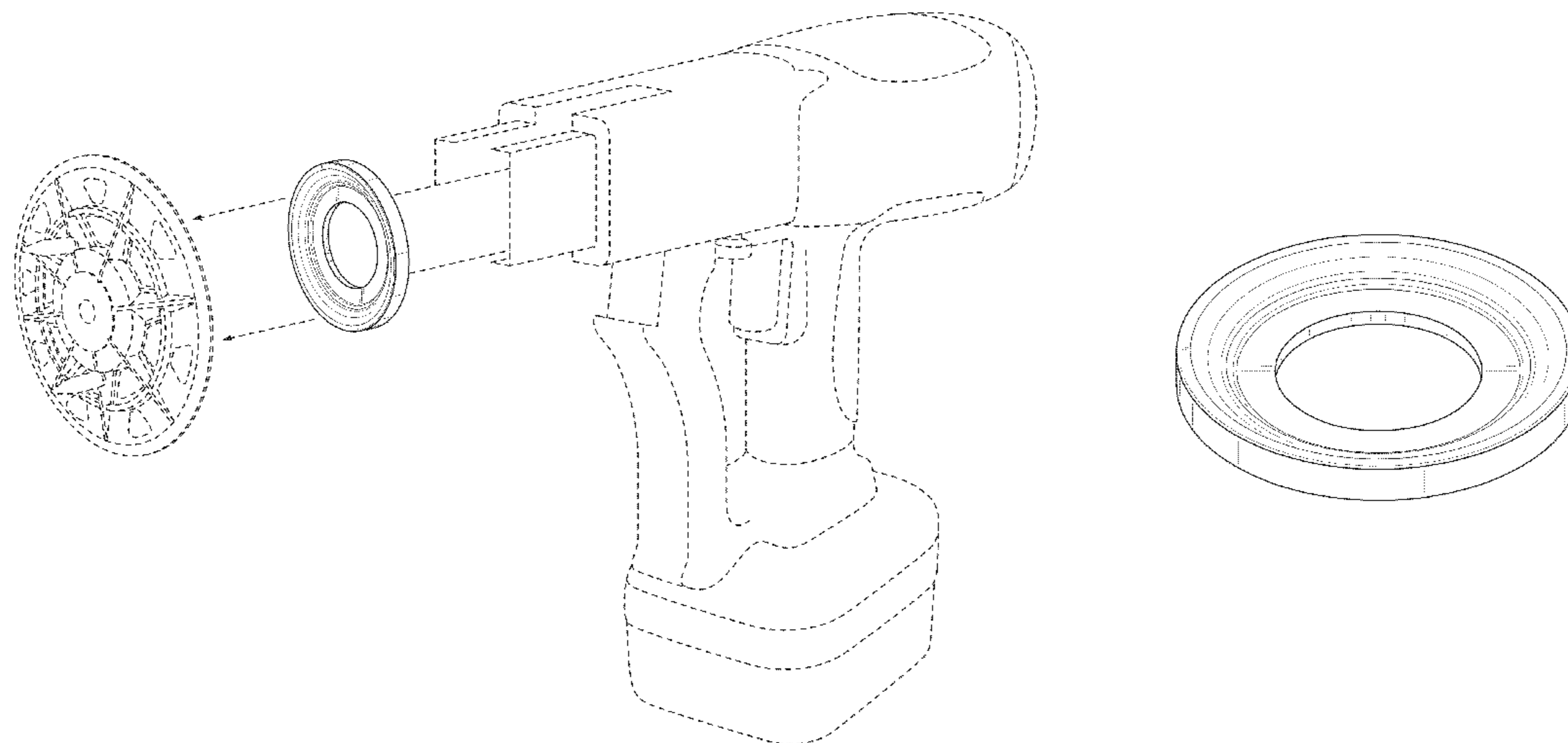
(57) **CLAIM**

The ornamental design for the fastener gun self centering on washer mating contoured ring device, as shown and described.

DESCRIPTION

FIG. 1 is a front perspective view of the holding device of the present invention shown mounted to a fastener gun and prior to engagement with a washer for illustrative purposes; FIG. 2 is a front perspective view of the holding device of the present invention; FIG. 3 is a top plan view of the holding device of FIG. 2; FIG. 4 is a side elevation view of the holding device of FIG. 2 shown prior to engagement with a correspondingly contoured washer for illustrative purposes; and, FIG. 5 is a bottom plan view of the holding device of FIG. 4. The broken lines are for illustrative purposes only and form no part of the claimed design.

1 Claim, 3 Drawing Sheets



(56)

References Cited

U.S. PATENT DOCUMENTS

2008/0310932 A1 12/2008 McIntyre et al.
2009/0084567 A1 * 4/2009 Basham et al. 173/29

OTHER PUBLICATIONS

Brochure disclosing 1¾" diameter Plasti-Grip® CBW washer distributed by Rodenhouse Inc. more than one year prior to Sep. 6, 2012.
Brochure disclosing 1¼" diameter Grip-Plate® Tab washer distributed by Rodenhouse Inc. more than one year prior to Sep. 6, 2012.

Brochure disclosing 1¼" diameter Grip-Plate® Plastic washer distributed by Rodenhouse Inc. more than one year prior to Sep. 6, 2012.
Brochure disclosing 2" diameter Plasti-Grip® CBW2 washer distributed by Rodenhouse Inc. more than one year prior to Sep. 6, 2012.
Brochure disclosing 1¾" diameter Plasti-Grip® III washer distributed by Rodenhouse Inc. more than one year prior to Sep. 6, 2012.
Brochure disclosing Plasti-Grip® PMF Plastic Masonry Fastener distributed by Rodenhouse Inc. more than one year prior to Sep. 6, 2012.
Brochure disclosing 3" diameter Grip-Lok® "Hurricane" washer distributed by Rodenhouse Inc. more than one year prior to Sep. 6, 2012.

* cited by examiner

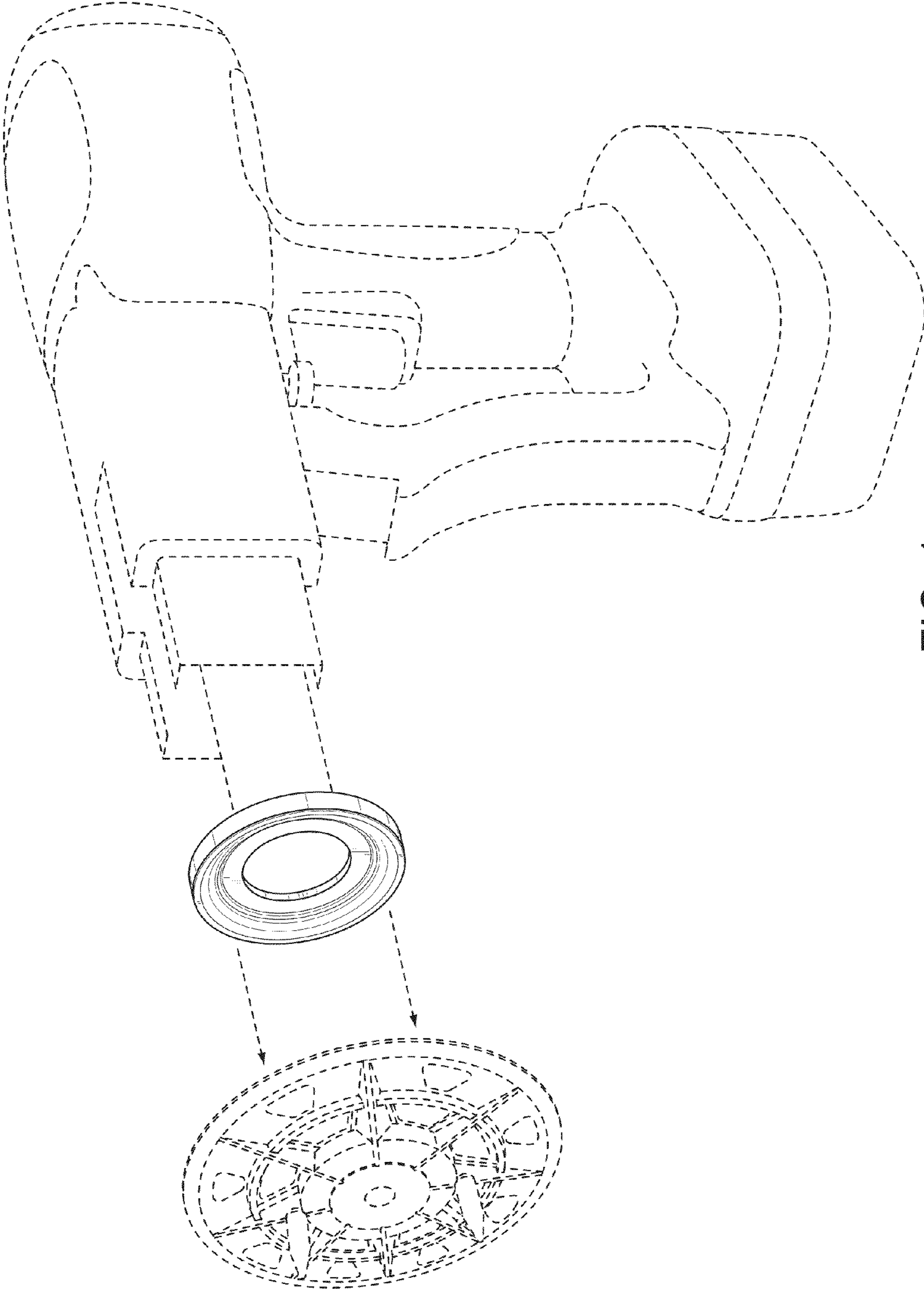


FIG. 1

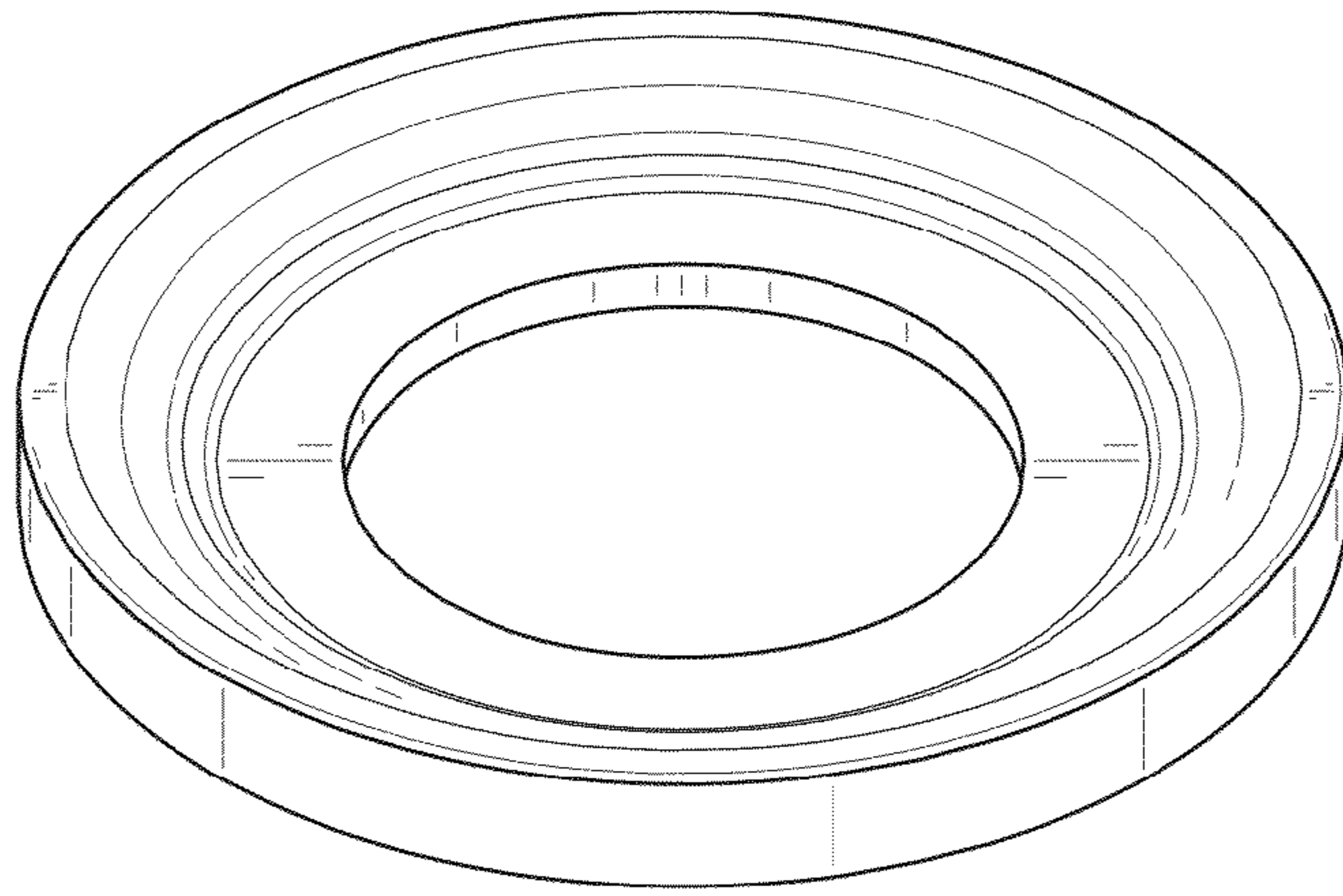


FIG. 2

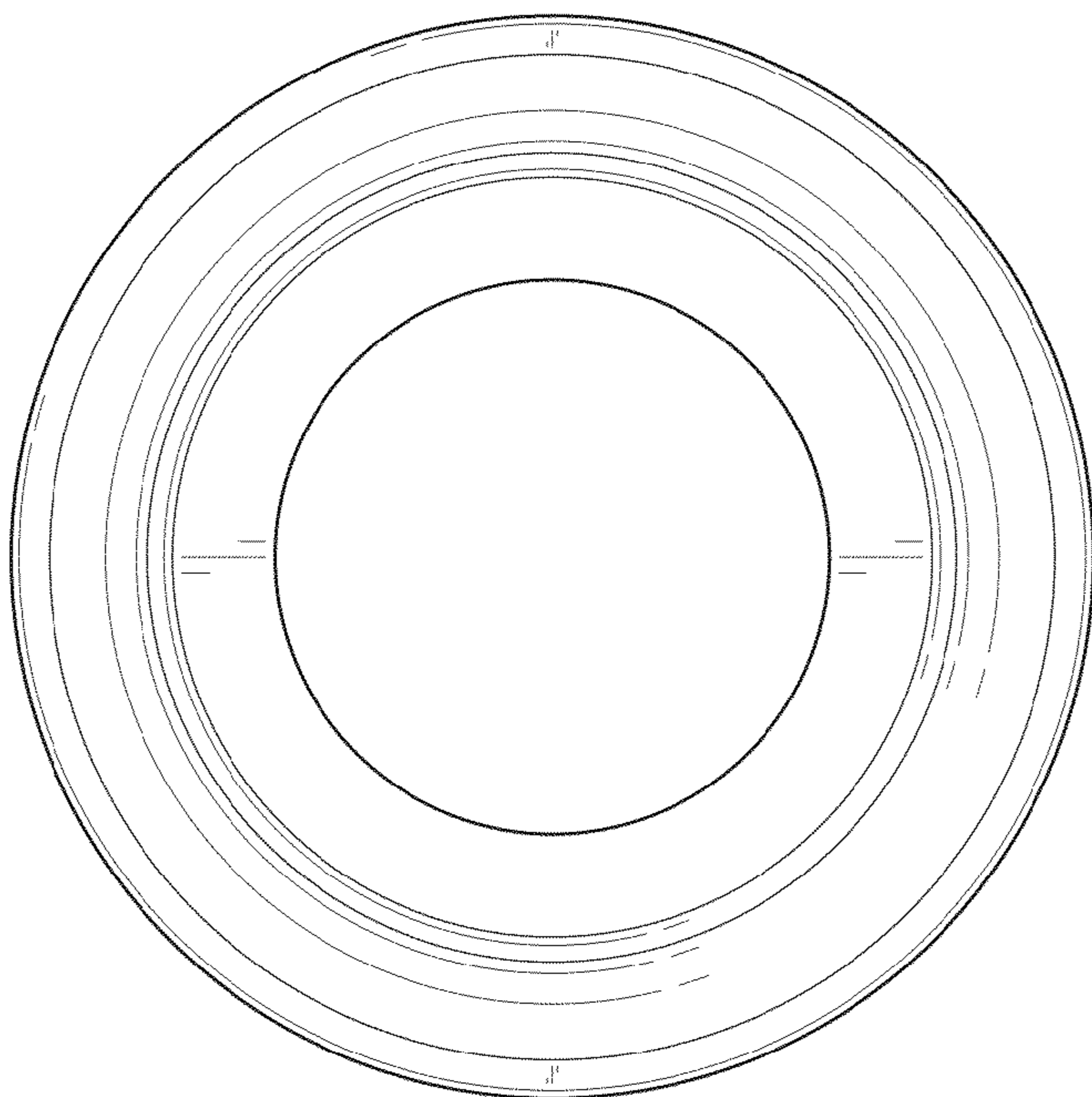


FIG. 3

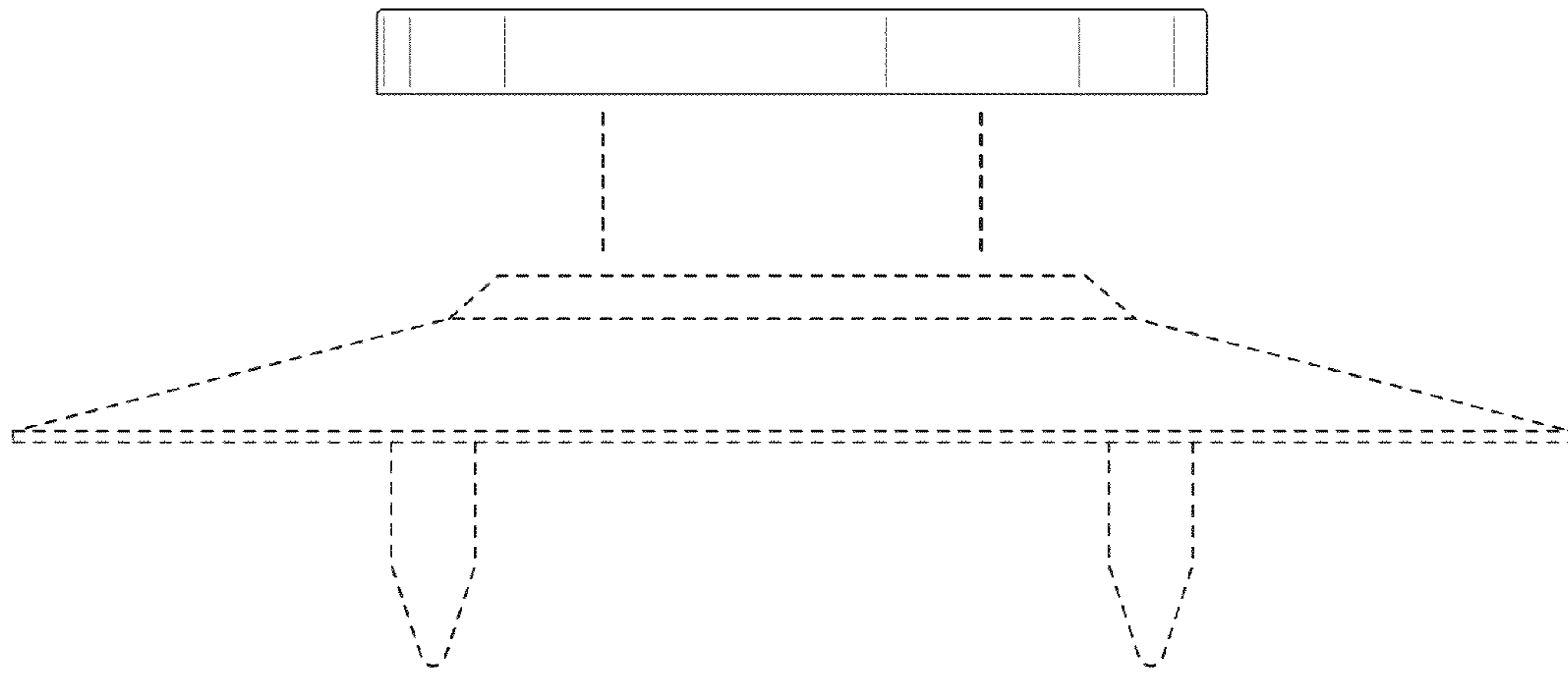


FIG. 4

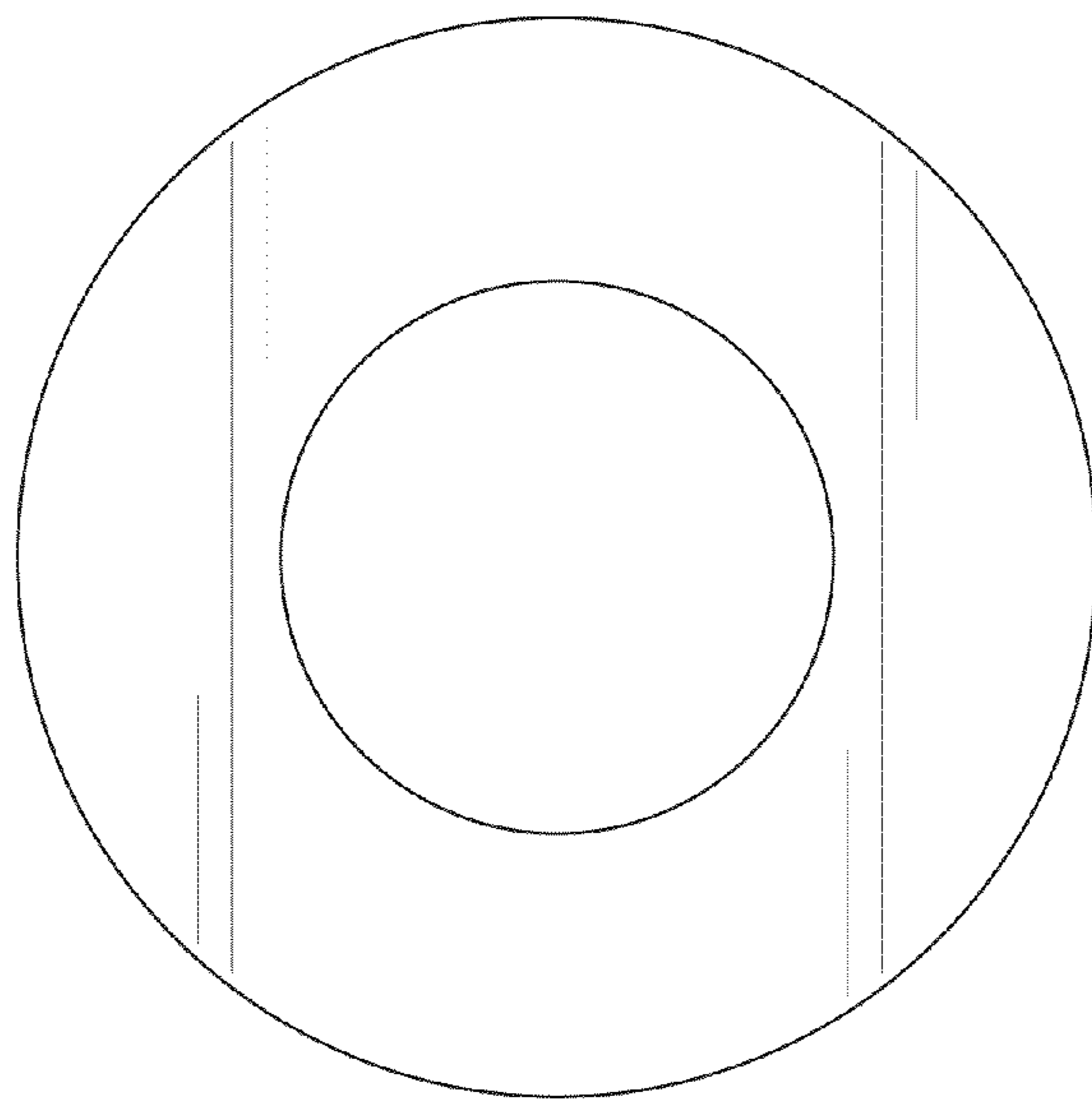


FIG. 5