



US00D744798S

(12) **United States Design Patent**  
**Kroener**

(10) **Patent No.:** **US D744,798 S**

(45) **Date of Patent:** **\*\* Dec. 8, 2015**

(54) **SACK OPENER**

(71) Applicant: **Stephanie Kroener**, Solingen, DE (US)

(72) Inventor: **Stephanie Kroener**, Solingen, DE (US)

(73) Assignee: **MARTOR KG**, Solingen (DE)

(\*\*) Term: **14 Years**

(21) Appl. No.: **29/446,805**

(22) Filed: **Feb. 27, 2013**

(30) **Foreign Application Priority Data**

Aug. 30, 2012	(EM)	001341895-0001
Aug. 30, 2012	(EM)	001341895-0002
Aug. 30, 2012	(EM)	001341895-0003
Aug. 30, 2012	(EM)	001341895-0004

(51) **LOC (10) Cl.** ..... **08-05**

(52) **U.S. Cl.**  
USPC ..... **D8/51**

(58) **Field of Classification Search**  
USPC ..... D8/1, 2, 5, 7, 95, 51, 98, 99, 8;  
294/209; 81/409, 421, 427.5, 324, 381;  
606/44, 50, 51; 30/244, 245, 257  
CPC ..... A61B 2018/1412  
See application file for complete search history.

(56) **References Cited**

**U.S. PATENT DOCUMENTS**

D211,196	S *	5/1968	Hollis	.....	D8/4
D235,130	S *	5/1975	Helm	.....	D8/51
D321,816	S *	11/1991	Fushiya et al.	.....	D8/7
D361,481	S *	8/1995	Rees et al.	.....	D8/8
D464,542	S *	10/2002	Clivio	.....	D8/5
D473,764	S *	4/2003	Wu	.....	D8/5
7,384,421	B2 *	6/2008	Hushka	.....	606/51
D582,233	S *	12/2008	Bensussan et al.	.....	D8/51
D591,121	S *	4/2009	Buzby et al.	.....	D8/51
7,540,093	B1 *	6/2009	Yeh	.....	30/244

D604,577	S *	11/2009	Bensussan et al.	.....	D8/51
D655,589	S *	3/2012	Owens et al.	.....	D8/51
D720,582	S *	1/2015	Tinius	.....	D8/8

\* cited by examiner

*Primary Examiner* — Ian Simmons

*Assistant Examiner* — Harold Blackwell, II

(74) *Attorney, Agent, or Firm* — Andrew Wilford

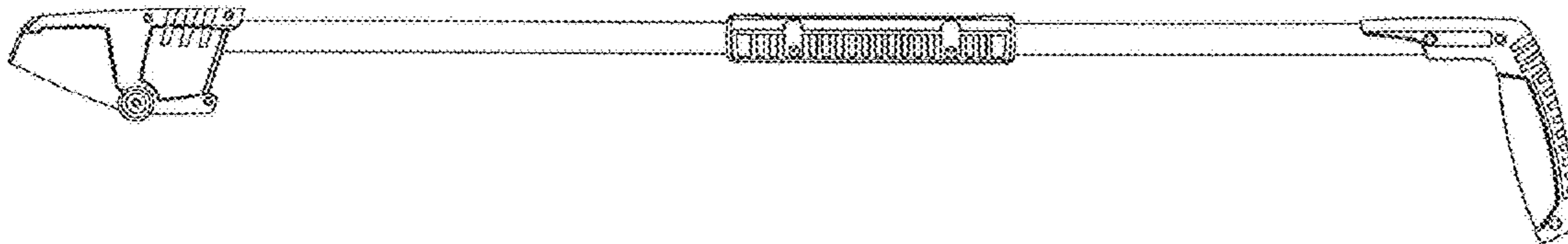
(57) **CLAIM**

The ornamental design for a sack opener, as shown and described.

**DESCRIPTION**

FIG. 1 is a side view of the sack opener of the invention, the opposite side being a mirror image thereof;  
 FIG. 2 is a top plan view of the invention;  
 FIG. 3 is a bottom plan view of the invention;  
 FIG. 4 is an enlarged right-end view of the invention;  
 FIG. 5 is an enlarged left-end view of the invention;  
 FIG. 6 is a left-side view of the cutter head of the sack opener of this invention with the blade retracted and the handle removed, the opposite side being a mirror image thereof;  
 FIG. 7 is a top plan view of the cutter head of FIG. 6;  
 FIG. 8 is a bottom plan view of the cutter head of FIG. 6;  
 FIG. 9 is an enlarged right-end view of the cutter head of FIG. 6;  
 FIG. 10 is an enlarged left-end view of the cutter head of FIG. 6;  
 FIG. 11 is a left-side view of the cutter head of FIG. 6 but with the blade extended, the opposite side being a mirror image thereof;  
 FIG. 12 is a top plan view of the cutter head but with the blade extended;  
 FIG. 13 is a right-end view like FIG. 9 but with the blade extended; and,  
 FIG. 14 is a left-end view like FIG. 10 but with the blade extended.  
 The broken lines in the drawings illustrate portions of the sack opener which form no part of the claimed design.

**1 Claim, 6 Drawing Sheets**



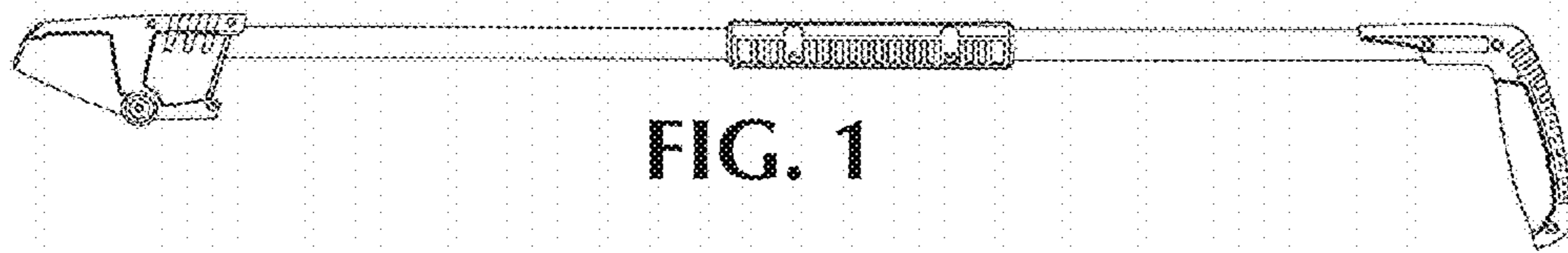


FIG. 1

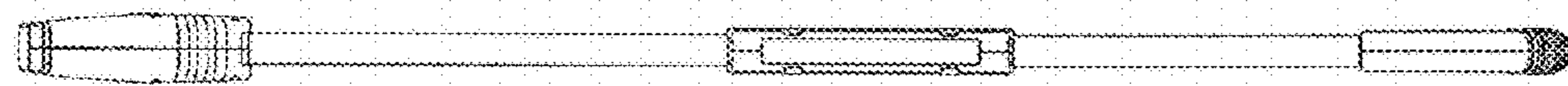


FIG. 2

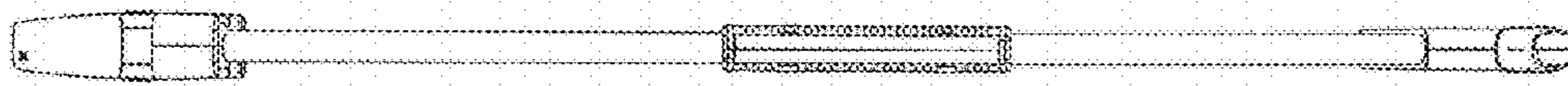
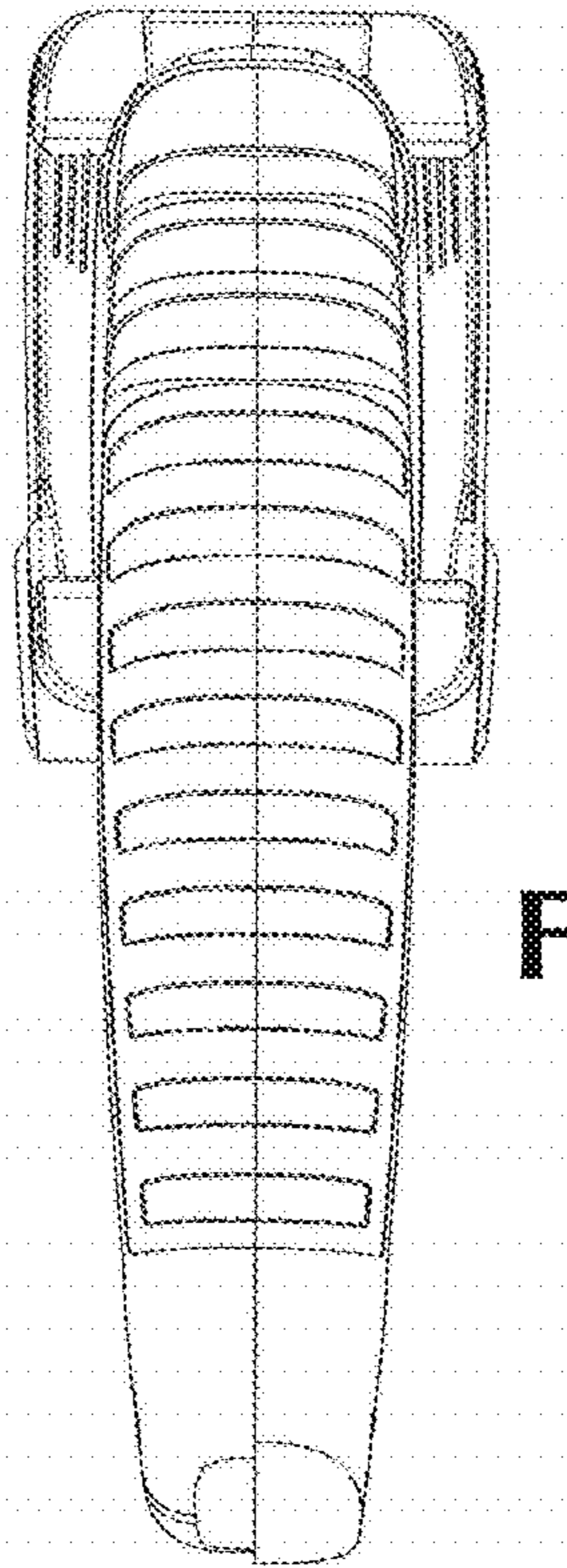
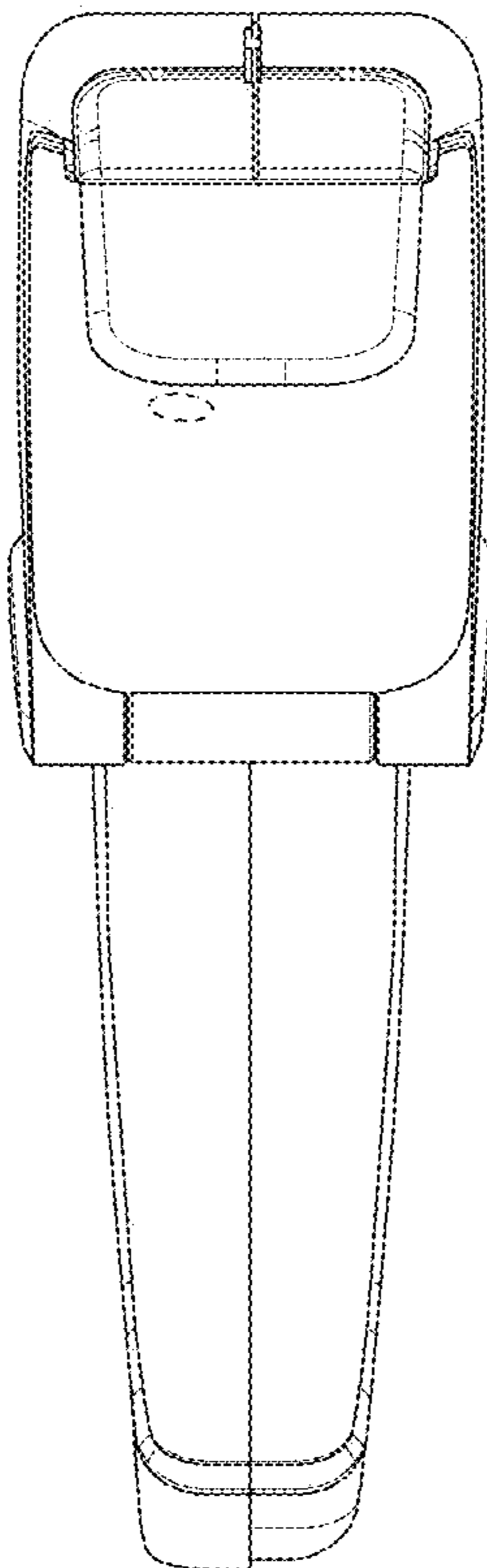


FIG. 3



**FIG. 4**



**FIG. 5**

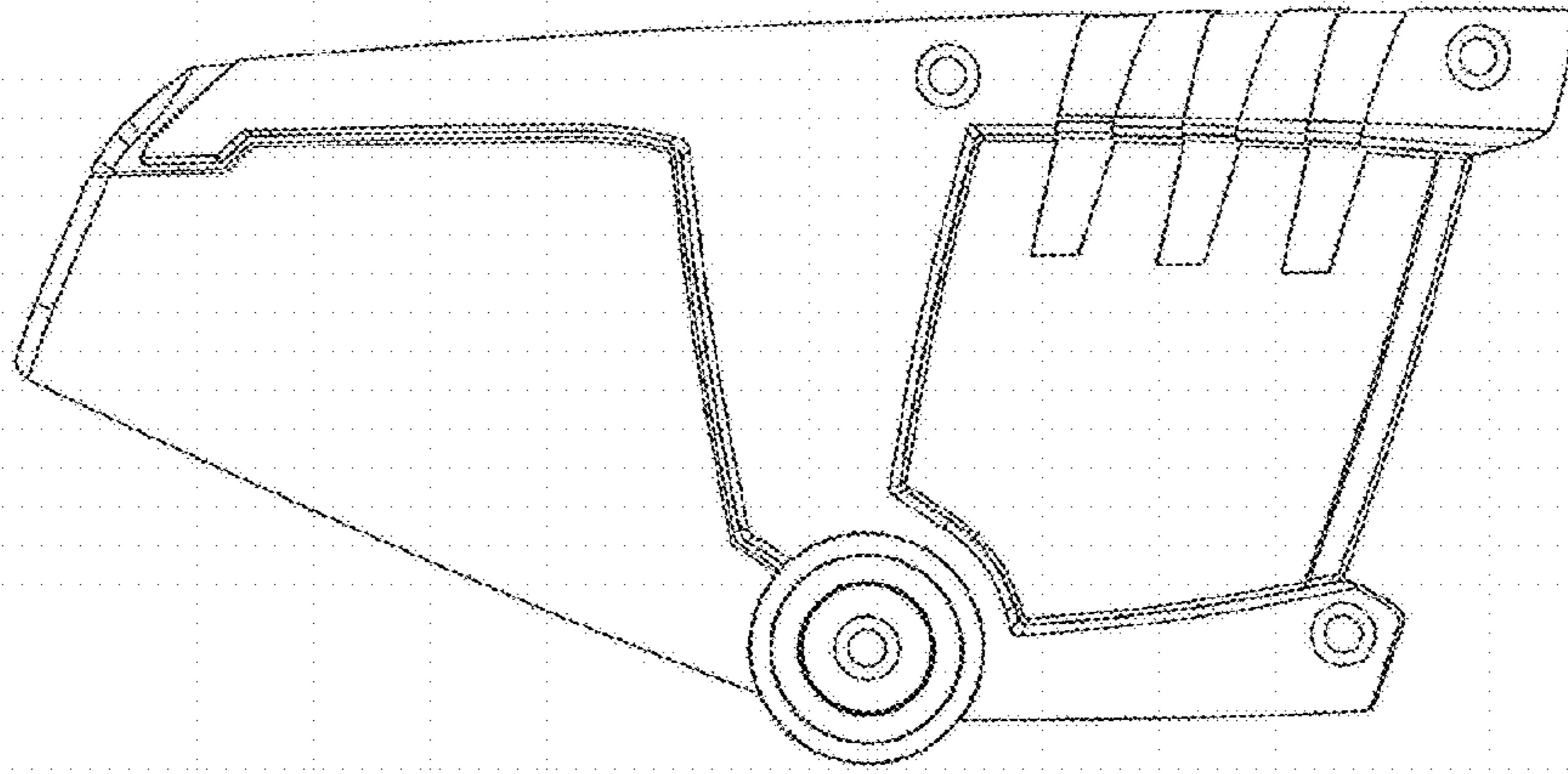


FIG. 6

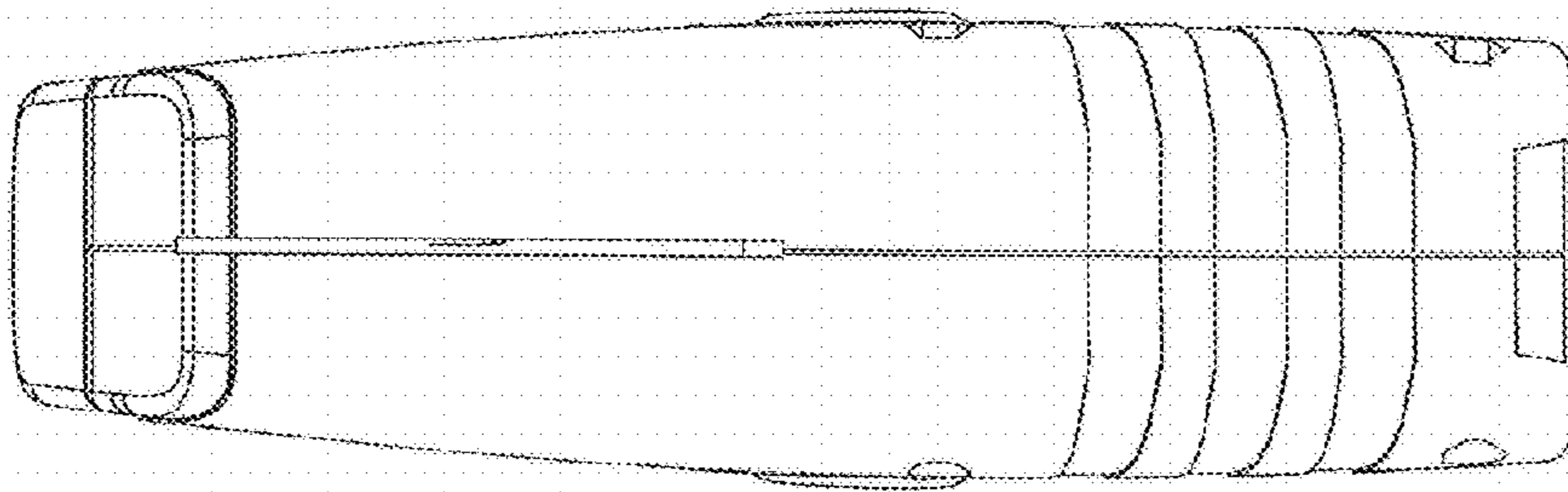


FIG. 7

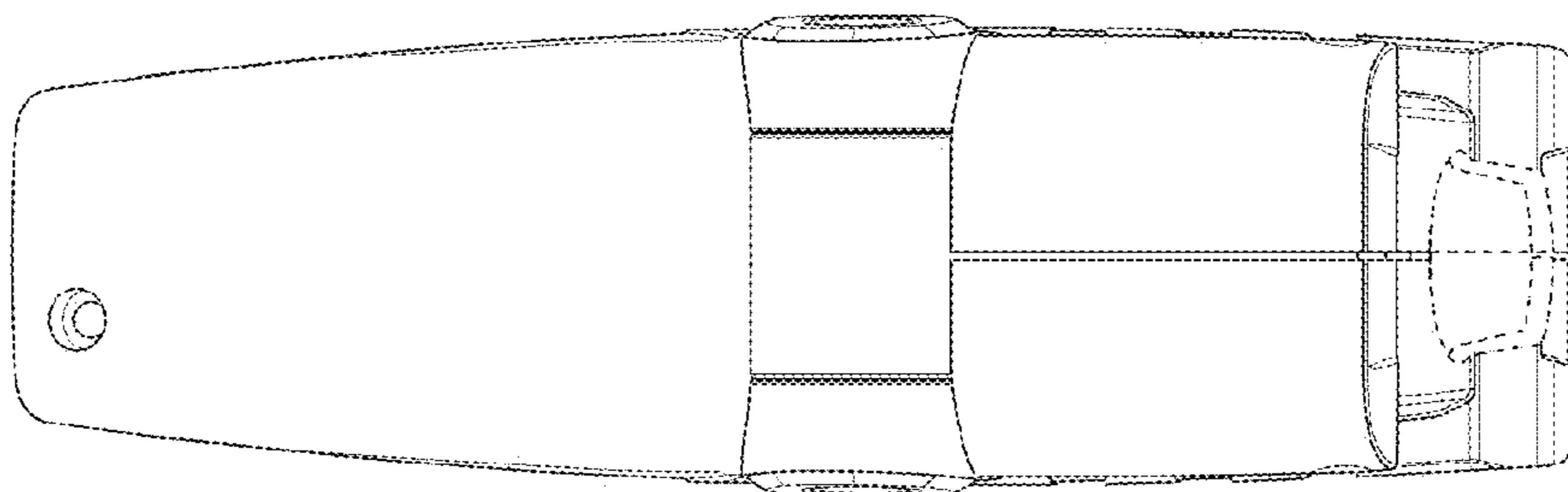
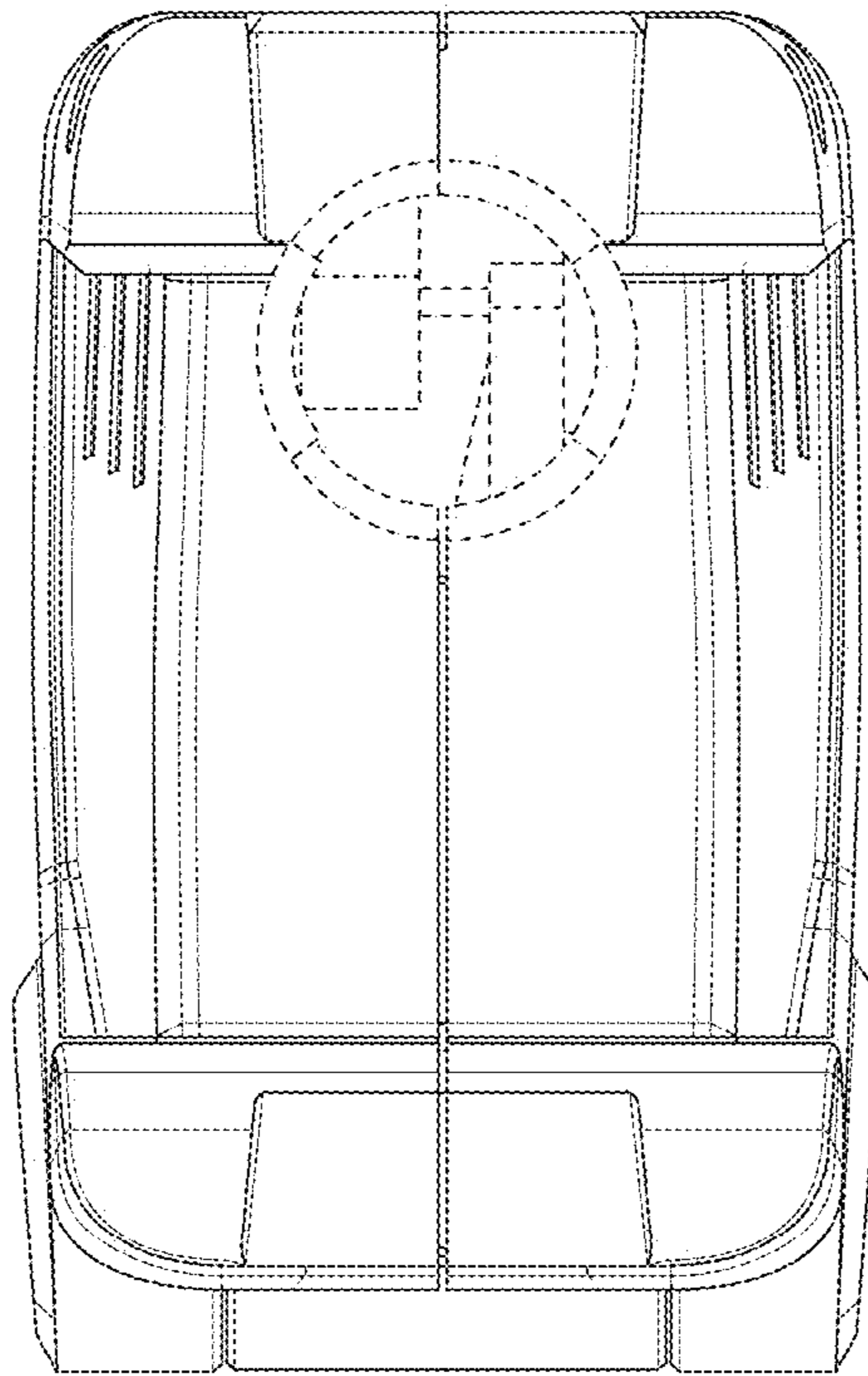
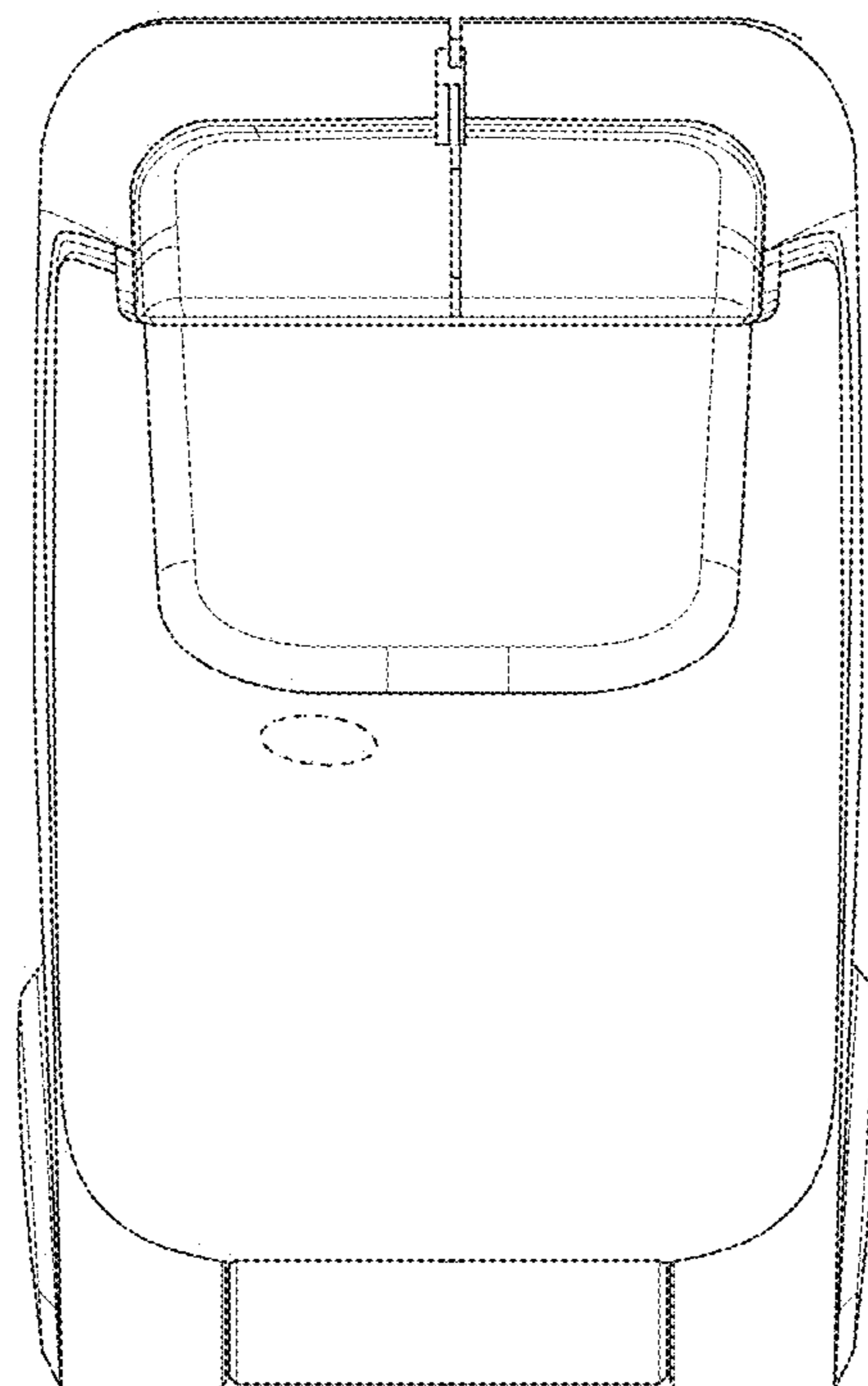


FIG. 8



**FIG. 9**



**FIG. 10**

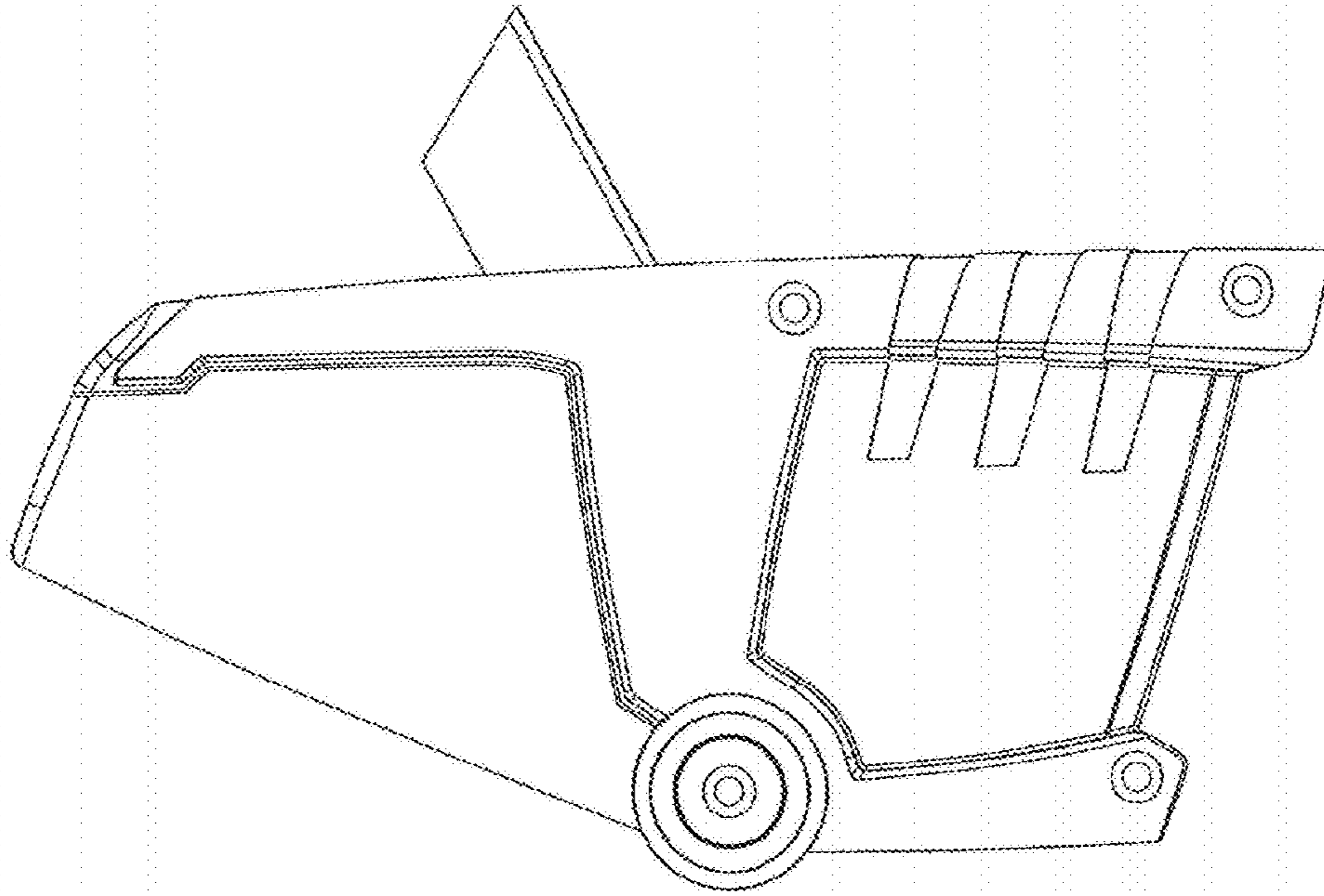


FIG. 11

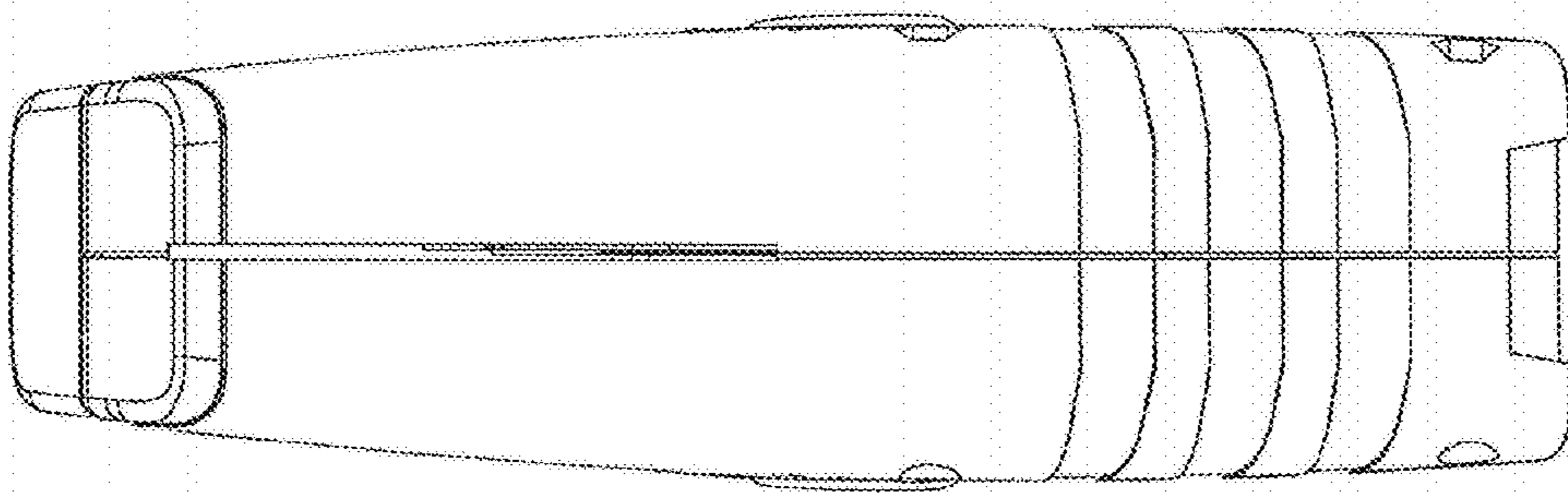


FIG. 12

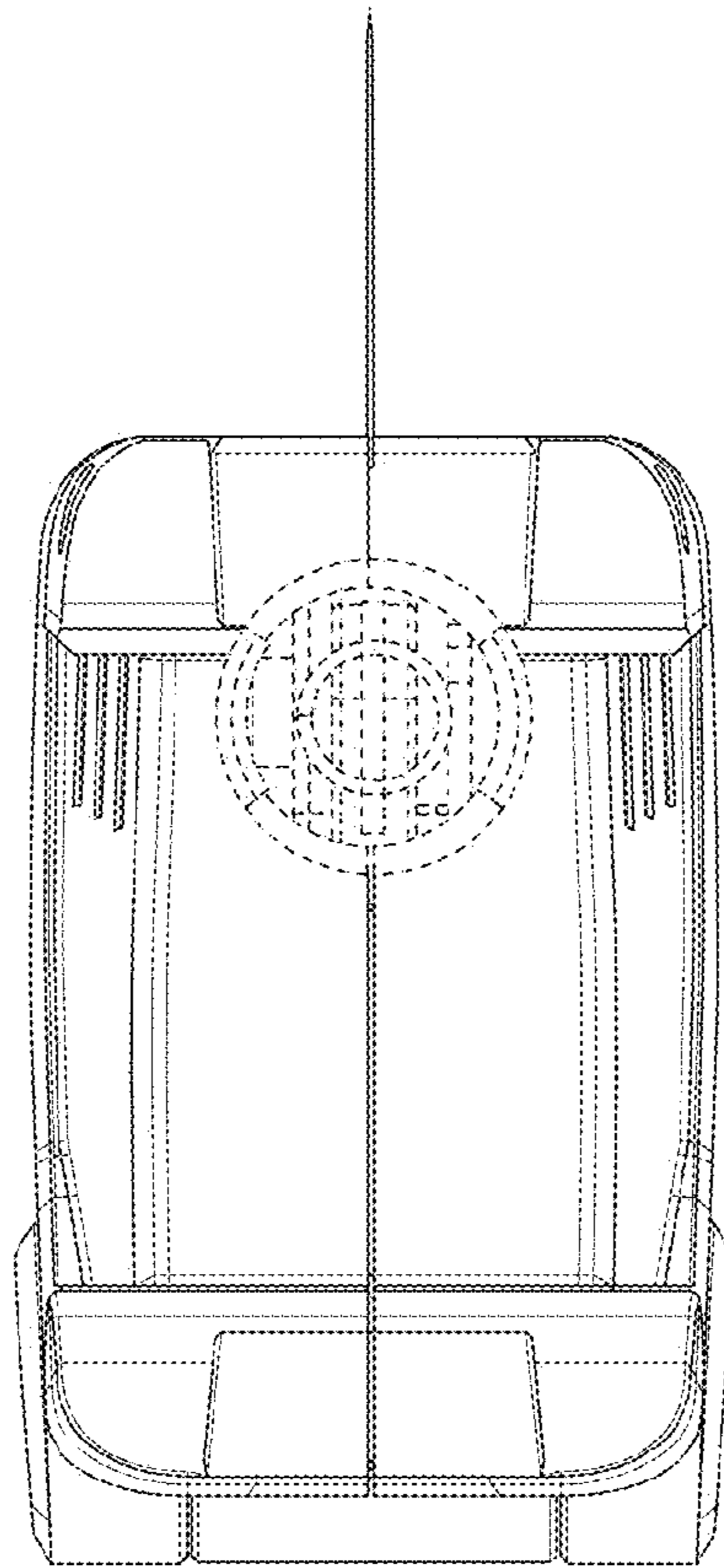


FIG. 13

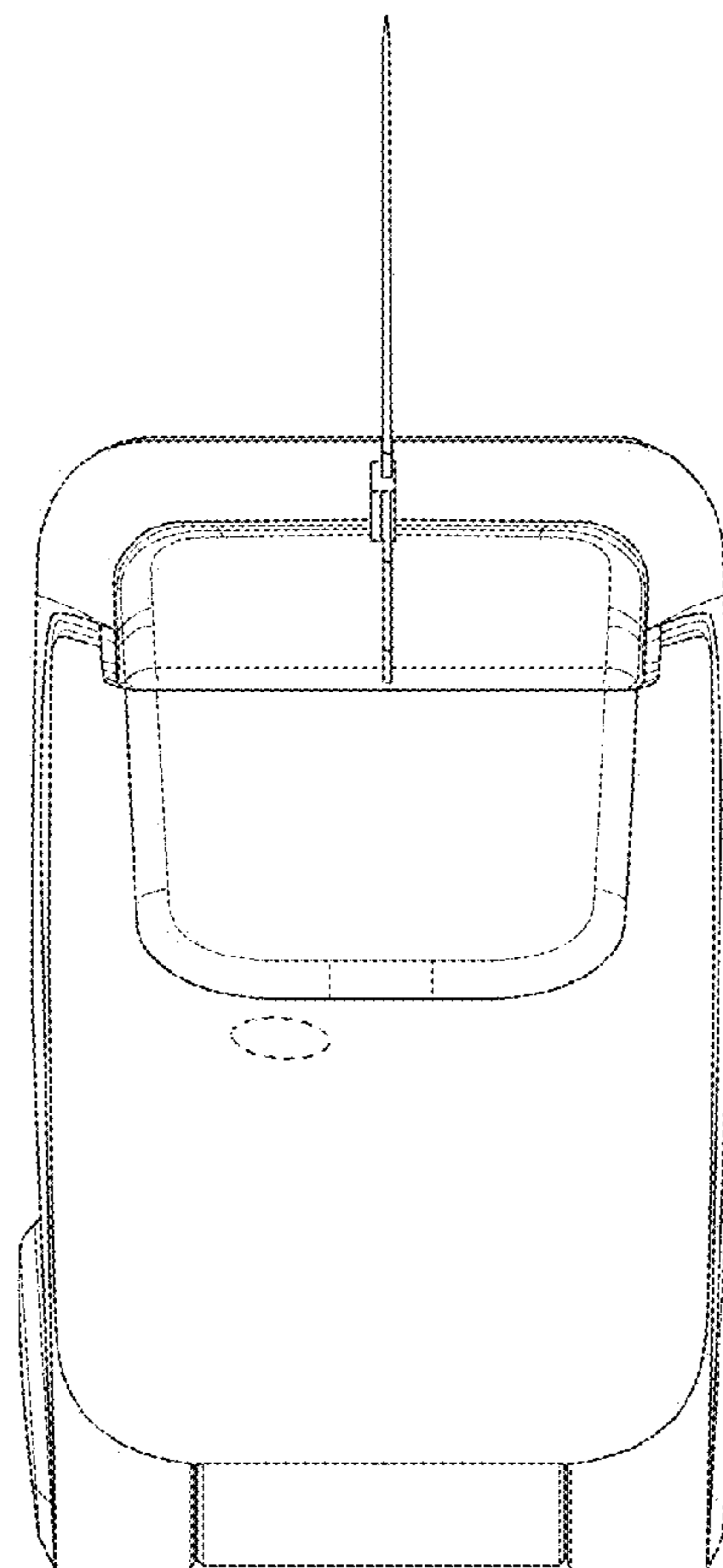


FIG. 14