



US00D744793S

(12) **United States Design Patent**
Lipscomb et al.

(10) **Patent No.:** **US D744,793 S**
(45) **Date of Patent:** **** Dec. 8, 2015**

(54) **SLICING TOOL**

(71) Applicant: **Fiskars Brands, Inc.**, Madison, WI (US)

(72) Inventors: **Daniel J. Lipscomb**, Prairie Du Sac, WI (US); **Steve Stokes**, Mazomanie, WI (US); **Andrew P. Block**, Madison, WI (US)

(73) Assignee: **Fiskars Brands, Inc.**, Madison, WI (US)

(**) Term: **14 Years**

(21) Appl. No.: **29/488,186**

(22) Filed: **Apr. 16, 2014**

(51) **LOC (10) Cl.** **07-04**

(52) **U.S. Cl.**
USPC **D7/673**

(58) **Field of Classification Search**
USPC D7/672-677, 693, 669; 30/275.4, 30/279.2, 280; 241/93, 95, 100, 168, 169, 241/273.1-273.4, 285.2, 101.1, 101.2; 83/699.51, 932, 906, 874, 858, 857, 83/856, 87, 167, 425.3, 431, 435.15, 83/436.2, 436.7, 699.61, 13
CPC B26D 3/283; B26D 7/24; B26D 2003/288; B26D 2003/287; B26D 5/02; B26D 2003/286; A47J 43/25; A47J 43/245

See application file for complete search history.

(56) **References Cited**

U.S. PATENT DOCUMENTS

D535,160	S	*	1/2007	Ishii	D7/673
D569,200	S	*	5/2008	Chalfant et al.	D7/672
D596,467	S	*	7/2009	de Buyer	D7/693
2007/0062349	A1	*	3/2007	Ishii	83/13
2008/0257128	A1	*	10/2008	Reimann et al.	83/699.61
2010/0116153	A1	*	5/2010	Chen et al.	99/538
2010/0122465	A1	*	5/2010	Holmes et al.	30/275.4
2010/0263514	A1	*	10/2010	Mah et al.	83/856

* cited by examiner

Primary Examiner — Terry Wallace

(74) *Attorney, Agent, or Firm* — Foley & Lardner LLP

(57) **CLAIM**

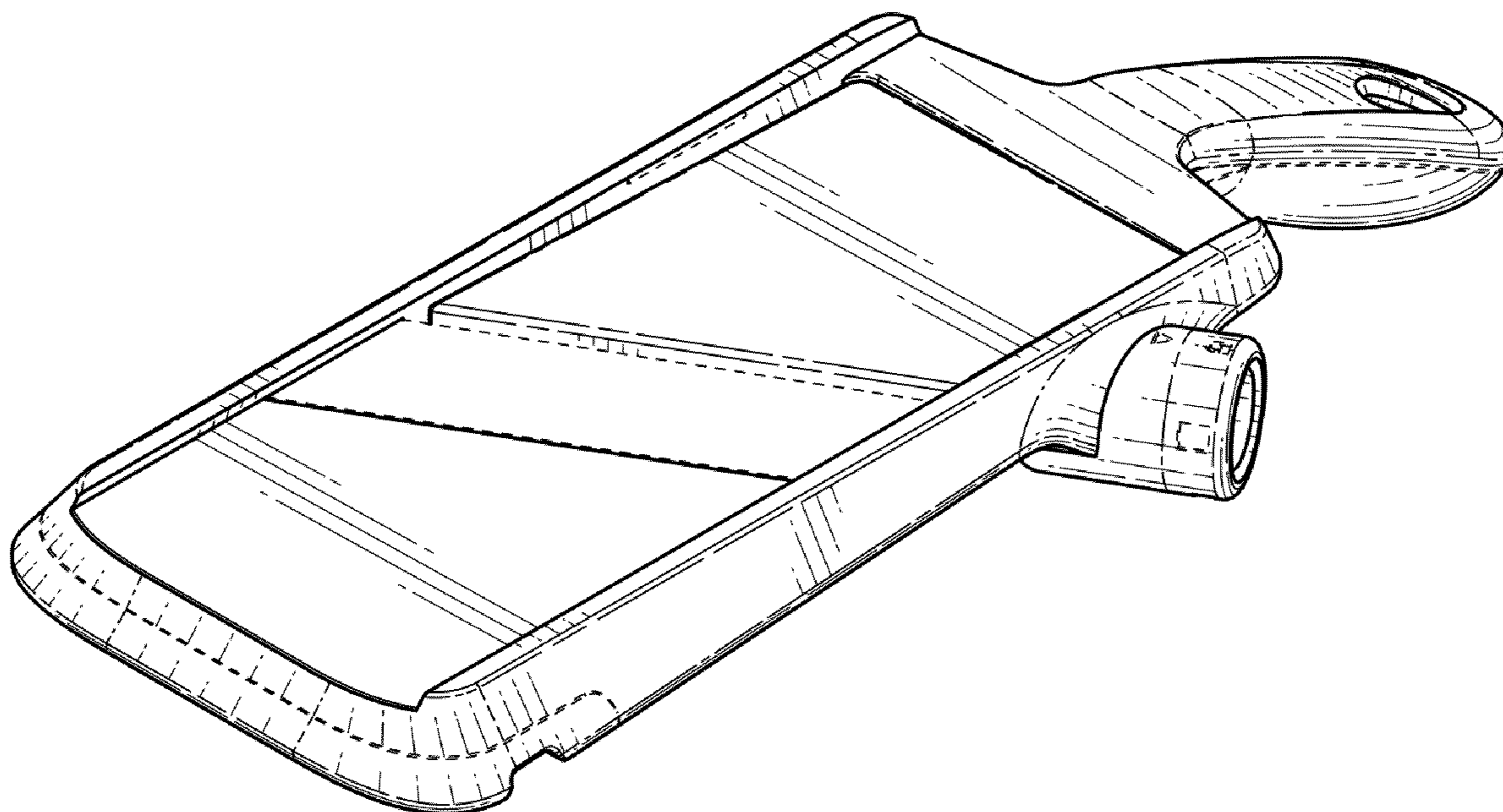
We claim the ornamental design for a slicing tool, as shown and described.

DESCRIPTION

FIG. 1 is an isometric view of a slicing tool;
FIG. 2 is a front elevational view thereof;
FIG. 3 is a rear elevational view thereof;
FIG. 4 is a left side elevational view thereof;
FIG. 5 is a right side elevational view thereof;
FIG. 6 is a top plan view thereof; and,
FIG. 7 is a bottom plan view thereof.

The ornamental design which is claimed is shown in solid lines in the drawings. The broken lines in the drawings are for illustrative purposes only and show unclaimed portions of the claimed design.

1 Claim, 4 Drawing Sheets



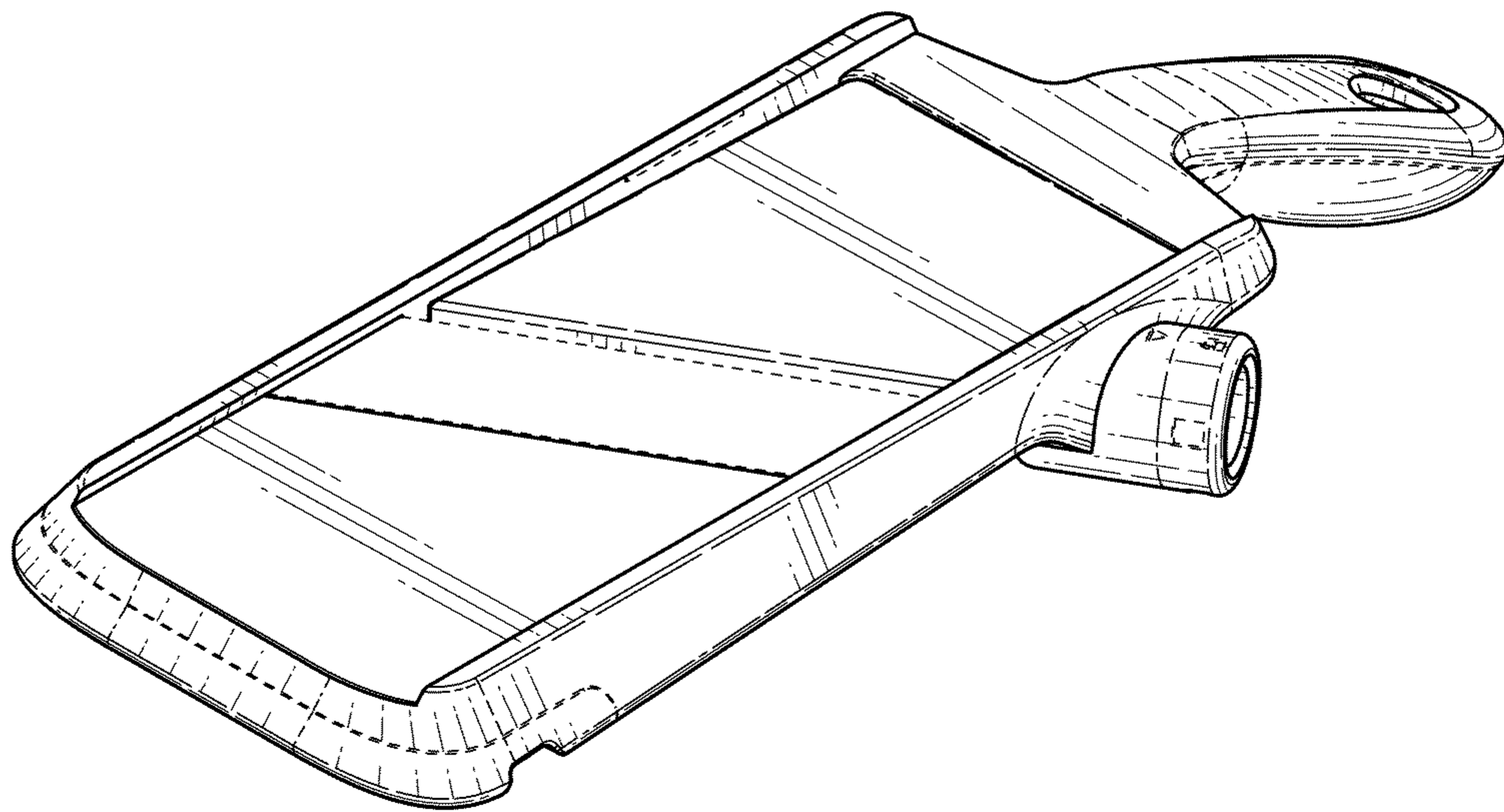


FIG. 1

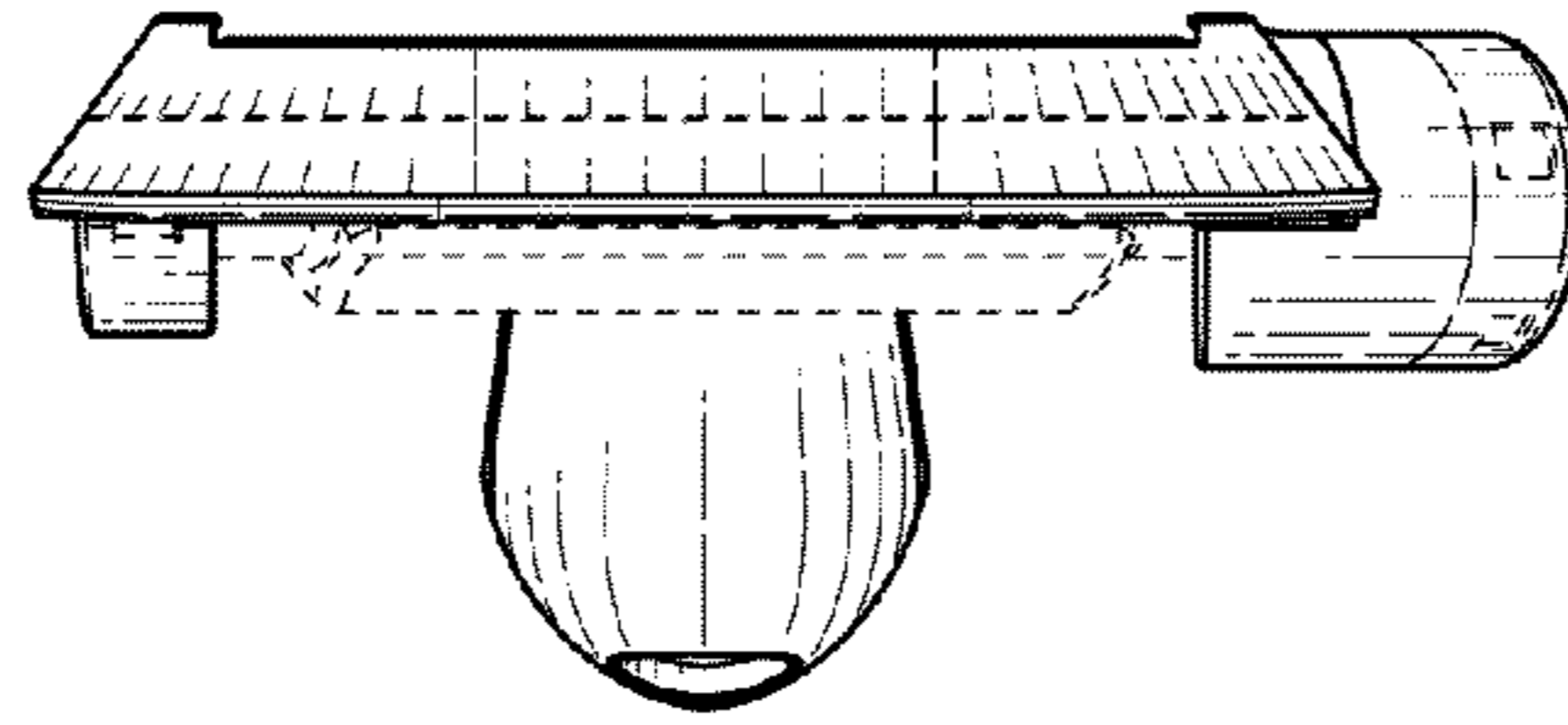


FIG. 2

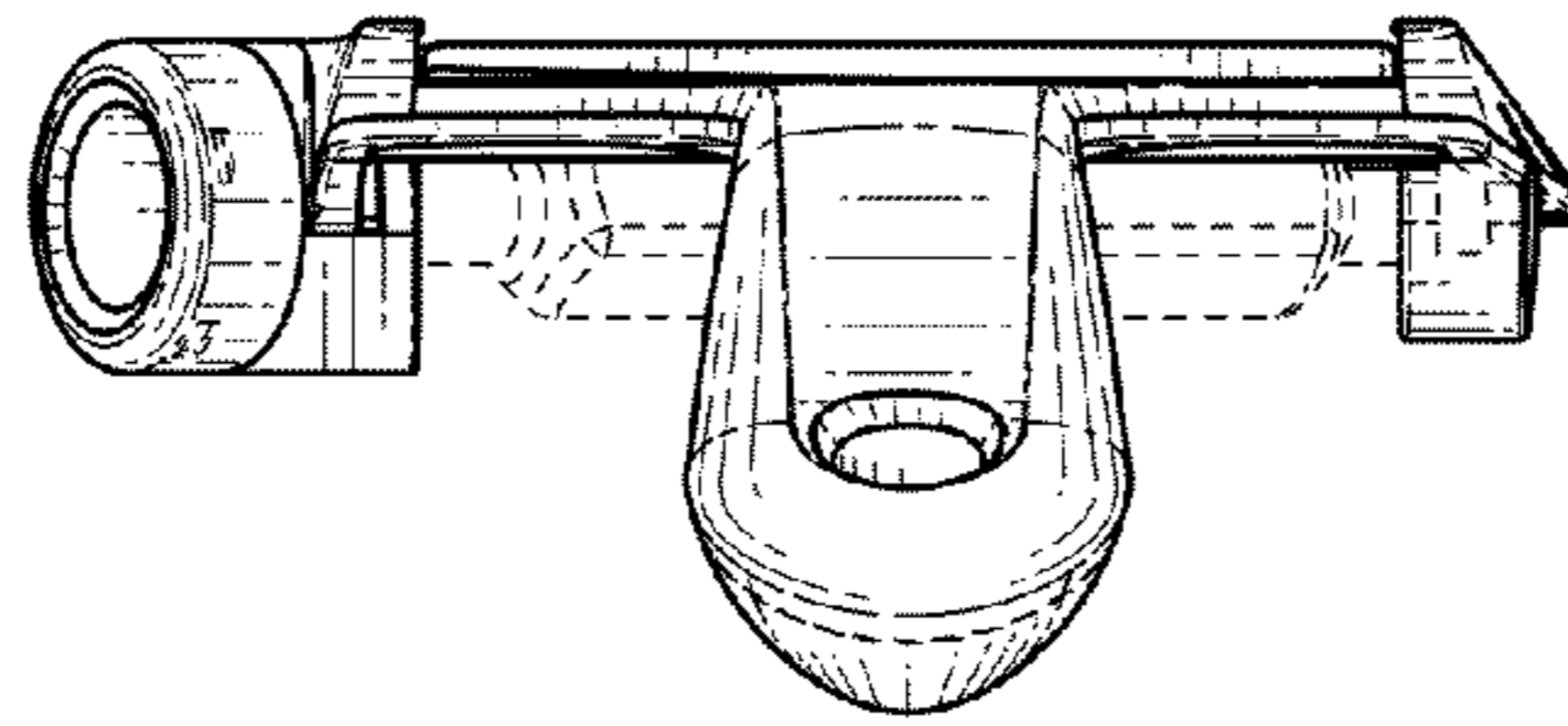


FIG. 3

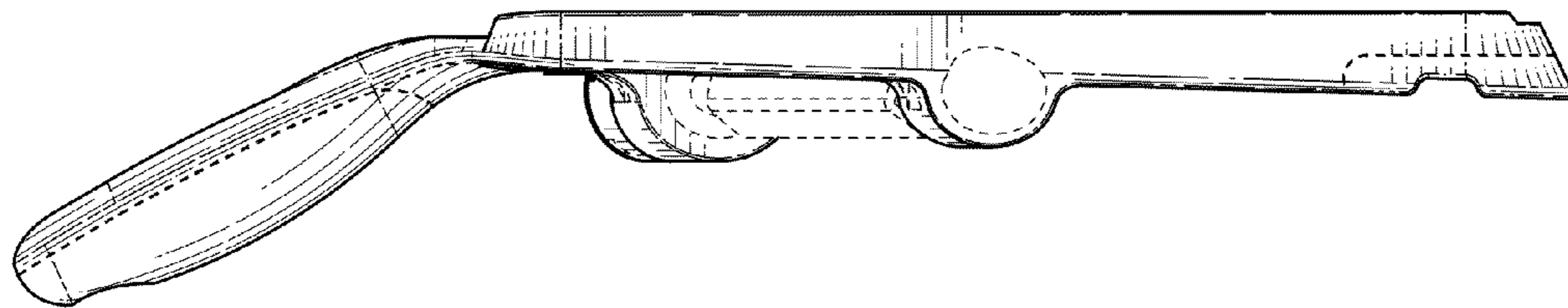


FIG. 4

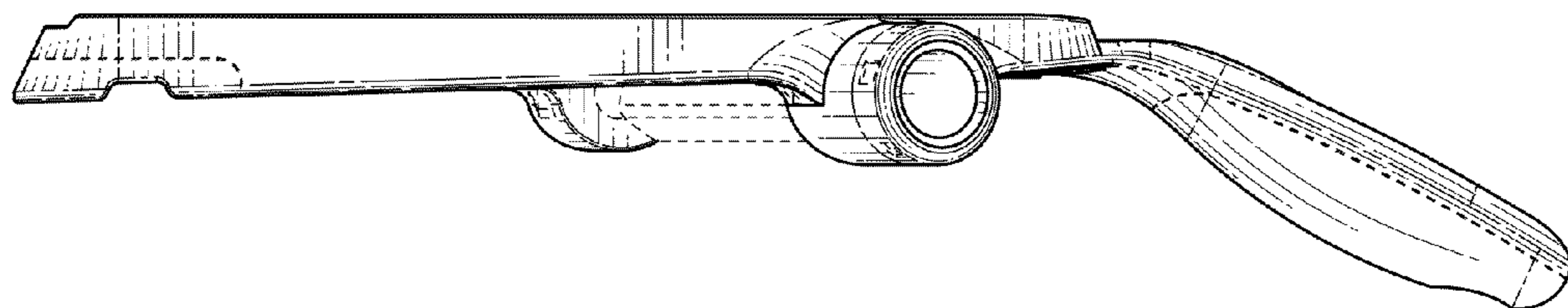


FIG. 5

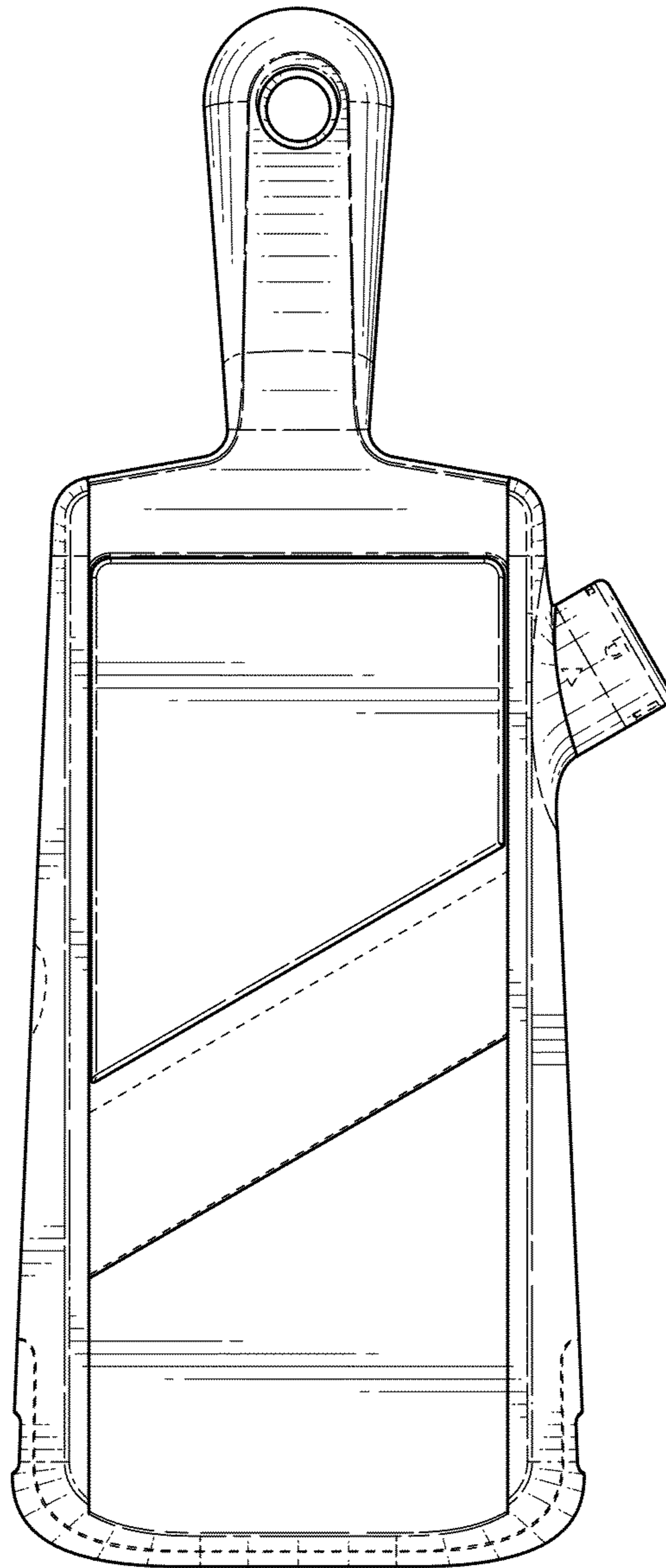


FIG. 6

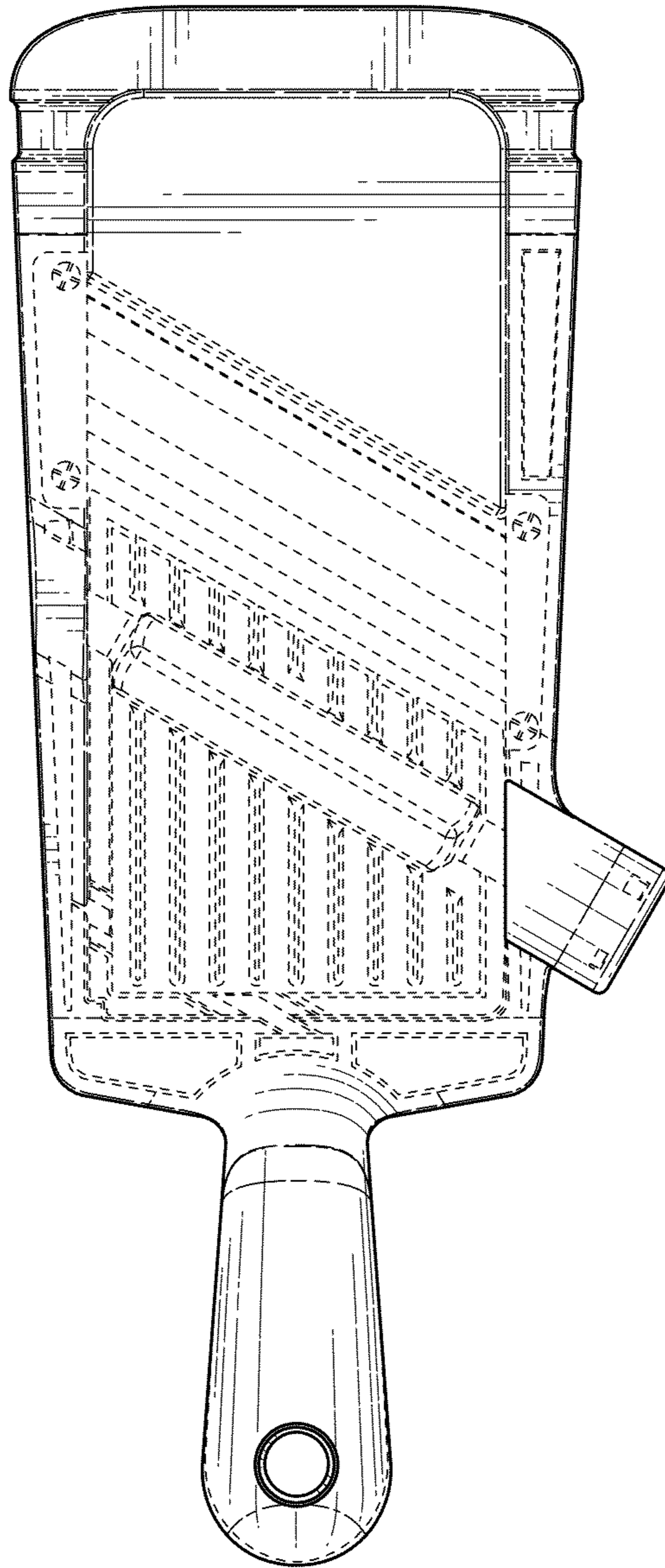


FIG. 7