



US00D744792S

(12) **United States Design Patent**
Kim

(10) **Patent No.:** **US D744,792 S**
(45) **Date of Patent:** **** Dec. 8, 2015**

(54) **JUICE EXTRACTOR**

(71) Applicant: **Young Ki Kim**, Gimhae-si (KR)

(72) Inventor: **Young Ki Kim**, Gimhae-si (KR)

(**) Term: **14 Years**

(21) Appl. No.: **29/464,171**

(22) Filed: **Aug. 13, 2013**

(51) **LOC (10) Cl.** **07-04**

(52) **U.S. Cl.**

USPC **D7/665**

(58) **Field of Classification Search**

USPC D7/368, 665-667, 412, 376-386, 372,
D7/373, 375, 374, 300, 304, 305, 309, 310,
D7/311, 312, 313; 241/92, 101.1-101.73,
241/285.1-285.3, 36, 37.5, 100, 282.1;
99/501-513, 495, 499, 348, 357, 349,
99/369, 370, 496-497, 279, 280, 284,
99/290; 366/98, 142, 197-211, 241-254,
366/279-292, 341-347, 64-67; 100/213,
100/218, 283, 288, 208; 416/75, 70 R, 76,
416/77

CPC A47J 19/02; A47J 19/027; A47J 19/00;
A47J 19/06; A47J 19/022; A47J 44/00;
A47J 44/02; A47J 43/00; A47J 43/25; A47J
43/046; A47J 43/0722; A47J 31/00; A47J
31/005; A47J 31/02; A47J 31/04; A23N 1/02;
A23N 1/00; A23N 1/003; A23N 1/006
See application file for complete search history.

(56) **References Cited**

U.S. PATENT DOCUMENTS

D159,469 S * 8/1950 Bennett D7/665
D246,150 S 10/1977 Evangelista
D251,404 S 3/1979 Ackeret
D251,405 S 3/1979 Ackeret
D253,083 S 10/1979 Lam
D255,969 S 7/1980 Steinkamp

D290,329 S 6/1987 Bulto
D295,481 S 5/1988 Bulto
D309,083 S 7/1990 Kahlcke
D311,842 S 11/1990 Ogvist et al.
D316,212 S 4/1991 Seal, Jr.
D316,654 S 5/1991 Anderson et al.
D318,402 S 7/1991 Barrault
D319,948 S 9/1991 Anderson et al.
D325,322 S * 4/1992 Maass D7/384
D333,412 S 2/1993 Levin
D362,597 S 9/1995 Kim
D366,984 S 2/1996 Hsu
D370,837 S 6/1996 Lee
D376,736 S 12/1996 Kim
5,795,062 A * 8/1998 Johnson 366/136
D447,390 S 9/2001 Lee
6,412,404 B1 * 7/2002 Hsu 99/495
D470,368 S 2/2003 Kim
D475,253 S 6/2003 Yip

(Continued)

Primary Examiner — Ian Simmons

Assistant Examiner — Shannon Morgan

(74) *Attorney, Agent, or Firm* — Edward J. Baba; Bozicevic,
Field & Francis LLP

(57) **CLAIM**

The ornamental design for a juice extractor, as shown and
described.

DESCRIPTION

FIG. 1 is a top, front perspective view of a juice extractor,
showing my new design;

FIG. 2 is a front elevational view thereof;

FIG. 3 is a rear elevational view thereof;

FIG. 4 is a left side elevational view thereof;

FIG. 5 is a right side elevational view thereof;

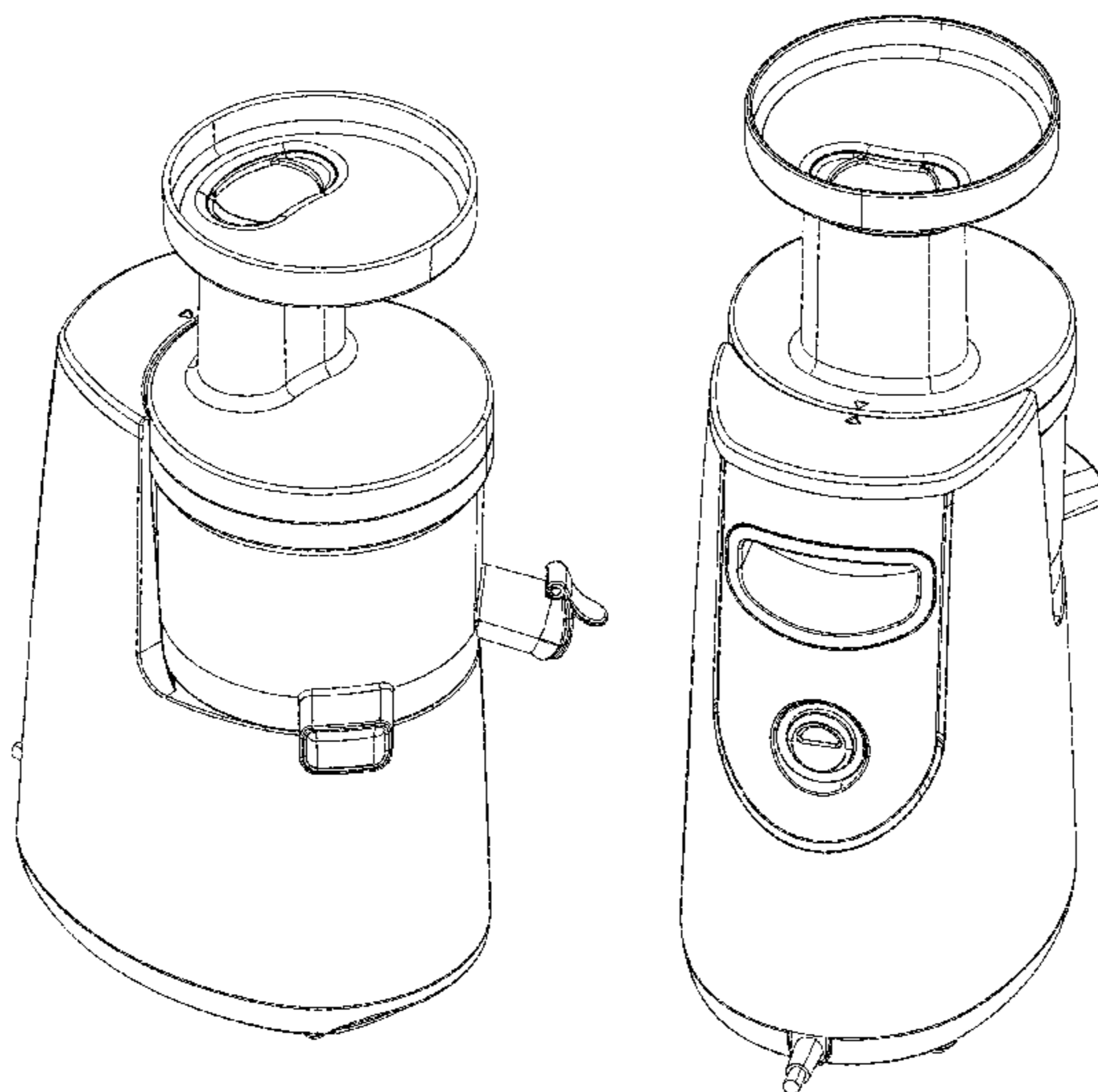
FIG. 6 is a top plan view thereof;

FIG. 7 is a bottom plan view thereof; and,

FIG. 8 is a top, left perspective view thereof.

The broken lines shown in FIGS. 4 and 7 represent portions of
the juice extractor that form no part of the claimed design.

1 Claim, 7 Drawing Sheets



(56)

References Cited

U.S. PATENT DOCUMENTS

D475,582 S	6/2003	To	
D487,674 S	3/2004	Robins	
D489,949 S	5/2004	Chung	
D501,370 S *	2/2005	Hensel et al.	D7/665
D506,108 S	6/2005	Cohen et al.	
D506,902 S	7/2005	Tseng et al.	
D510,238 S	10/2005	Yen	
D513,155 S	12/2005	Schrader et al.	
D526,539 S	8/2006	Yip	
D526,540 S	8/2006	Cohen et al.	
D534,400 S	1/2007	Cohen et al.	
D538,115 S *	3/2007	Lin	D7/665
D538,116 S *	3/2007	Siu	D7/665
D540,127 S	4/2007	Ye et al.	
D555,434 S	11/2007	Cohen et al.	
D565,363 S *	4/2008	Fouquet	D7/666
D566,486 S	4/2008	Wu	
D572,092 S	7/2008	Since	
D579,735 S	11/2008	Picozza et al.	
D586,625 S	2/2009	Robins et al.	
D594,717 S	6/2009	Wu Chang	
D604,121 S	11/2009	Gammack et al.	
D641,214 S *	7/2011	Choi	D7/665
D643,265 S *	8/2011	Kim et al.	D7/665
D650,641 S	12/2011	Fung et al.	
8,091,473 B2 *	1/2012	Kim	99/510
D660,660 S *	5/2012	Kim	D7/666
D665,632 S *	8/2012	Kim et al.	D7/665
D666,880 S	9/2012	Ferraby	
D670,138 S	11/2012	Hu	
D676,287 S	2/2013	Ferraby	
D677,975 S *	3/2013	Jin et al.	D7/381
D684,827 S	6/2013	Kim	
8,474,375 B2 *	7/2013	Jays et al.	100/104
D698,210 S *	1/2014	Lavy et al.	D7/665
D700,477 S *	3/2014	Kim	D7/412
2006/0086261 A1 *	4/2006	Cohen et al.	99/511
2006/0130676 A1 *	6/2006	Cohen et al.	99/511
2010/0139504 A1 *	6/2010	Wu Chang	99/510
2010/0300307 A1 *	12/2010	Huang	99/511
2011/0083566 A1 *	4/2011	Backus	99/511
2011/0154997 A1 *	6/2011	Huang	99/508
2012/0097051 A1 *	4/2012	Brenna et al.	99/503
2012/0192728 A1 *	8/2012	Huang	99/511
2013/0074708 A1 *	3/2013	Asbury et al.	99/513
2013/0081547 A1 *	4/2013	Hu	99/495
2013/0180415 A1 *	7/2013	Backus	99/511
2013/0255511 A1 *	10/2013	Steiner	99/513
2013/0284034 A1 *	10/2013	Jeong et al.	100/117

* cited by examiner

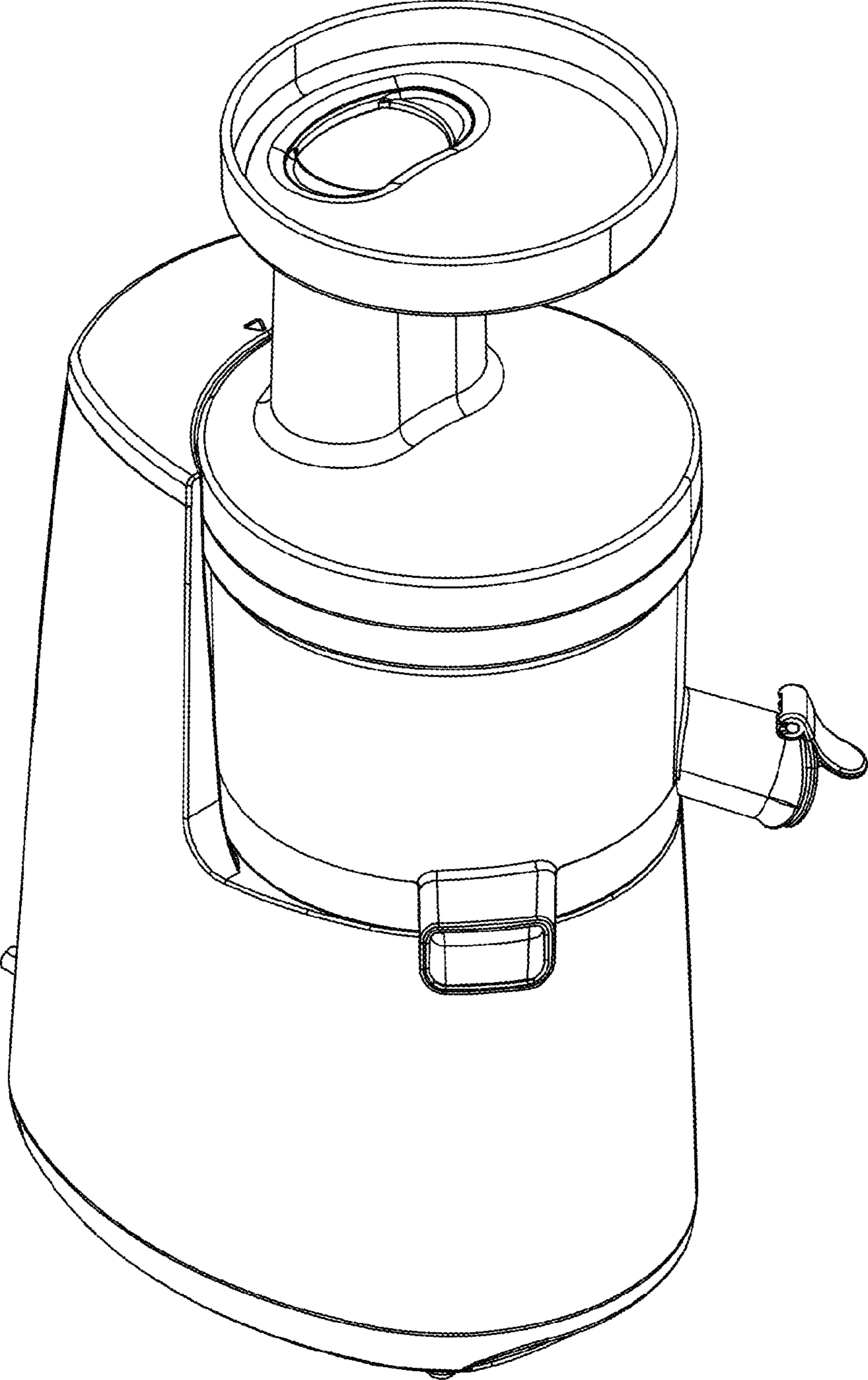


FIG. 1

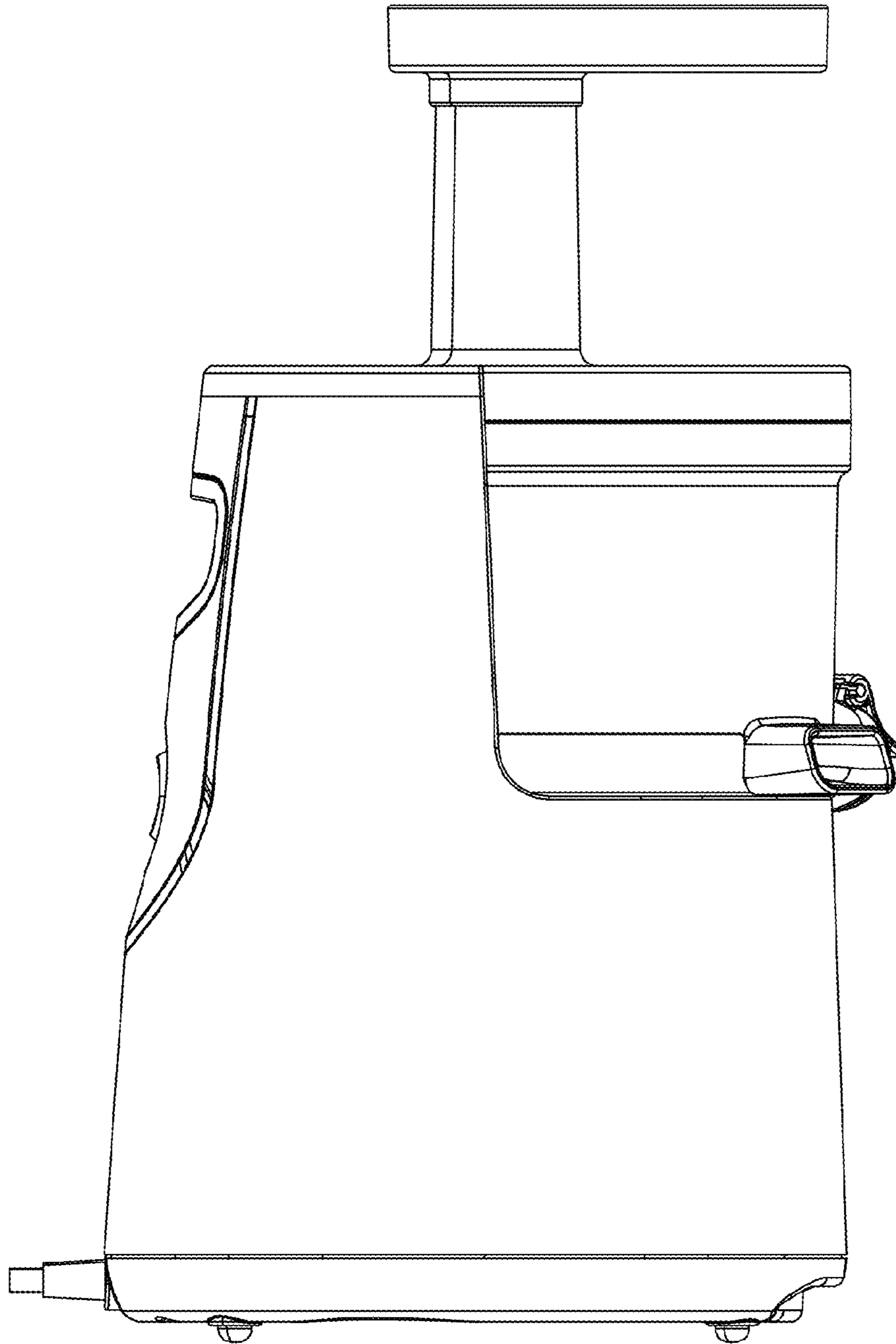


FIG. 2

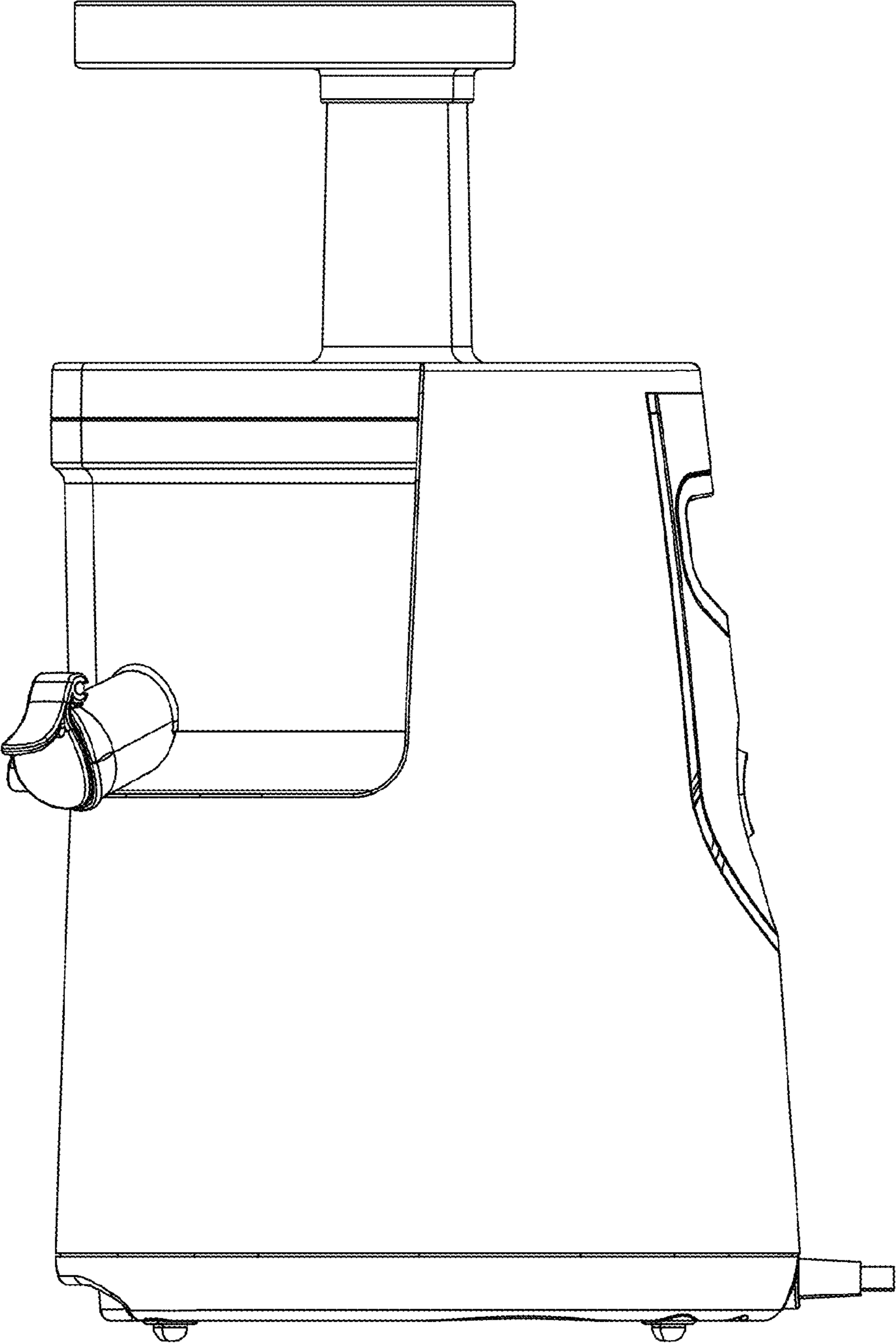


FIG. 3

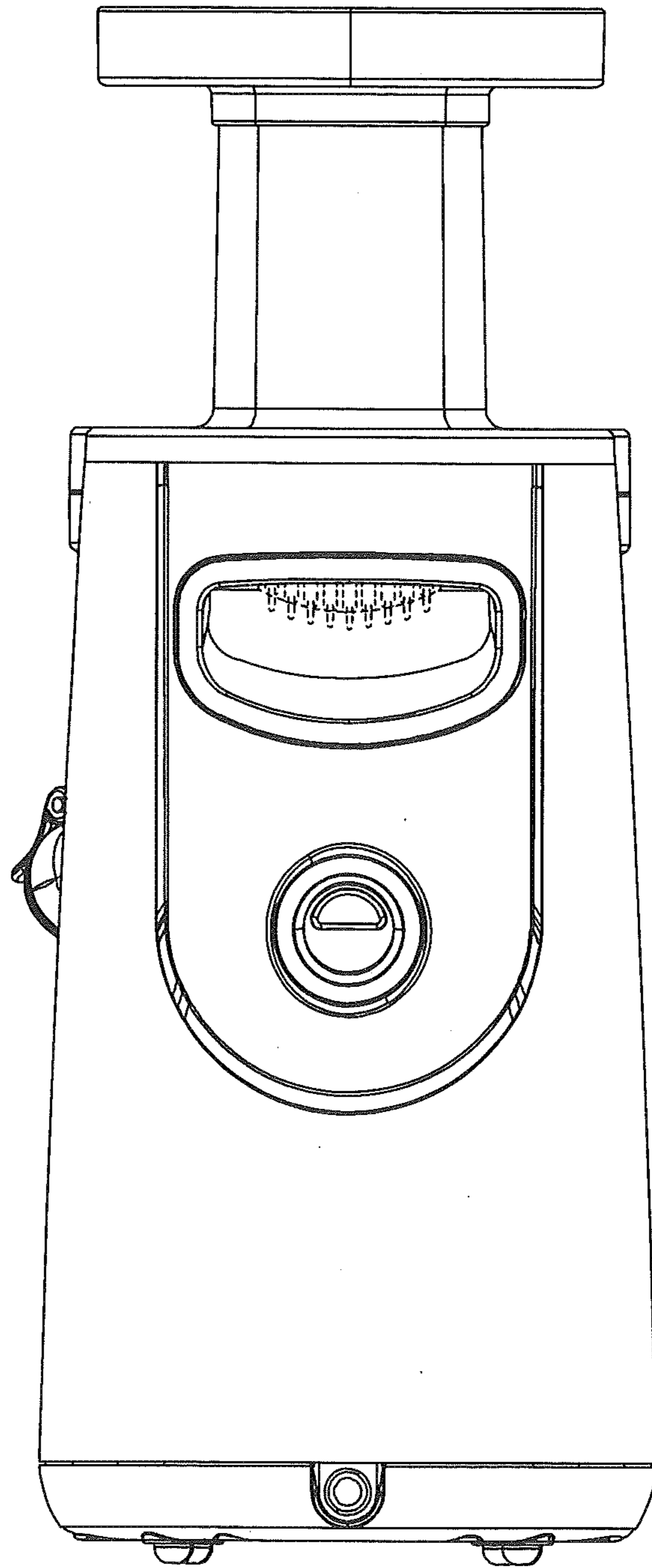


FIG. 4

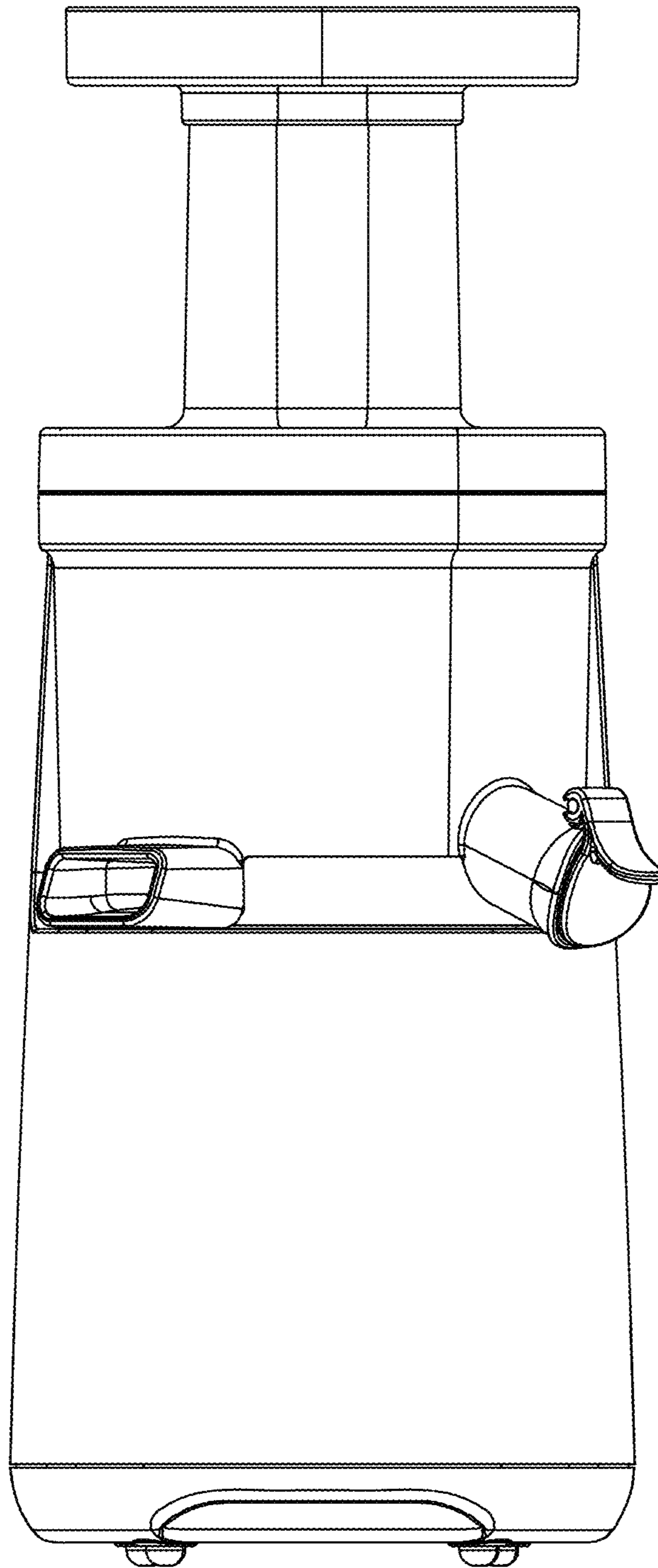


FIG. 5

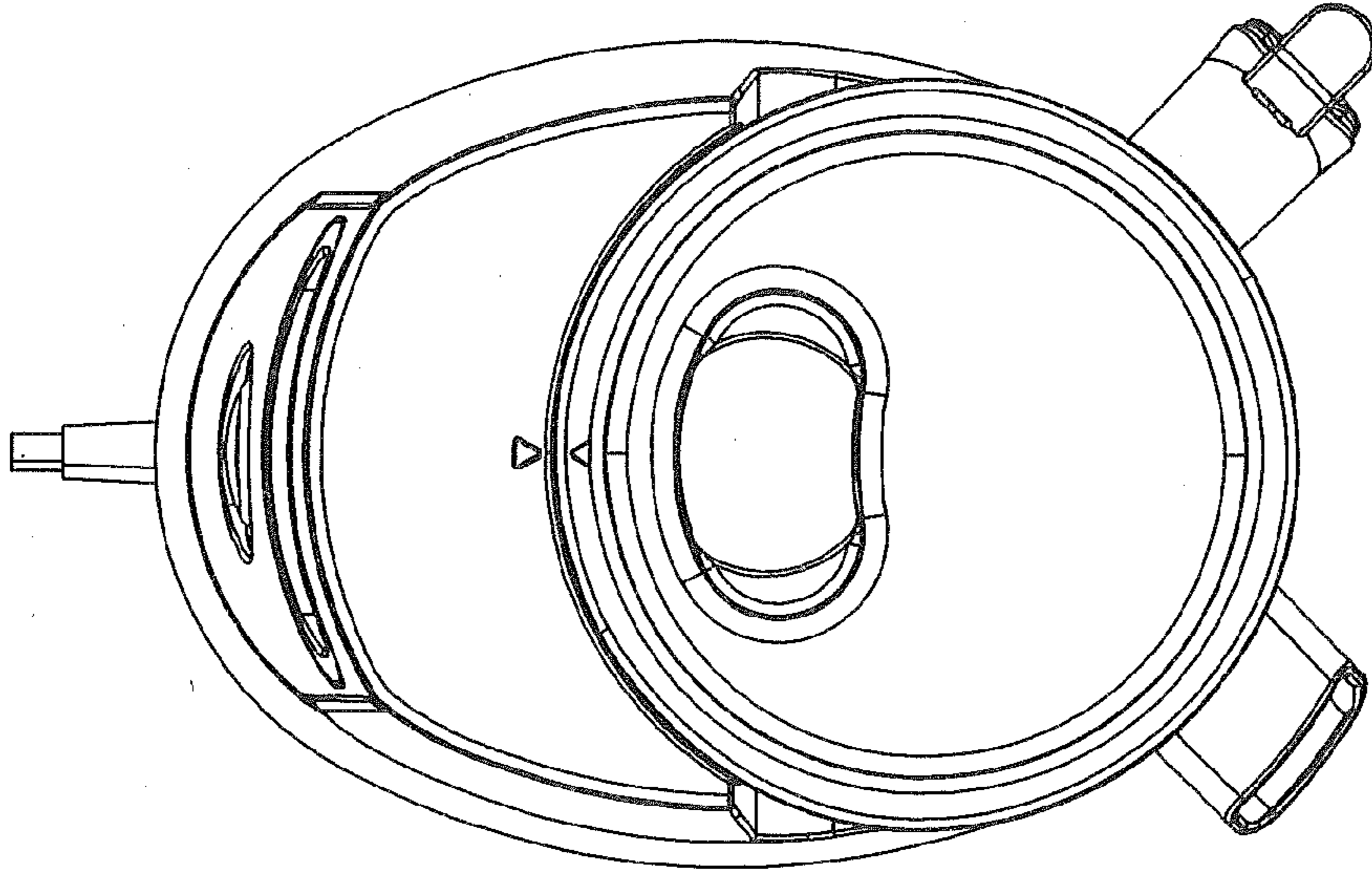


FIG. 6

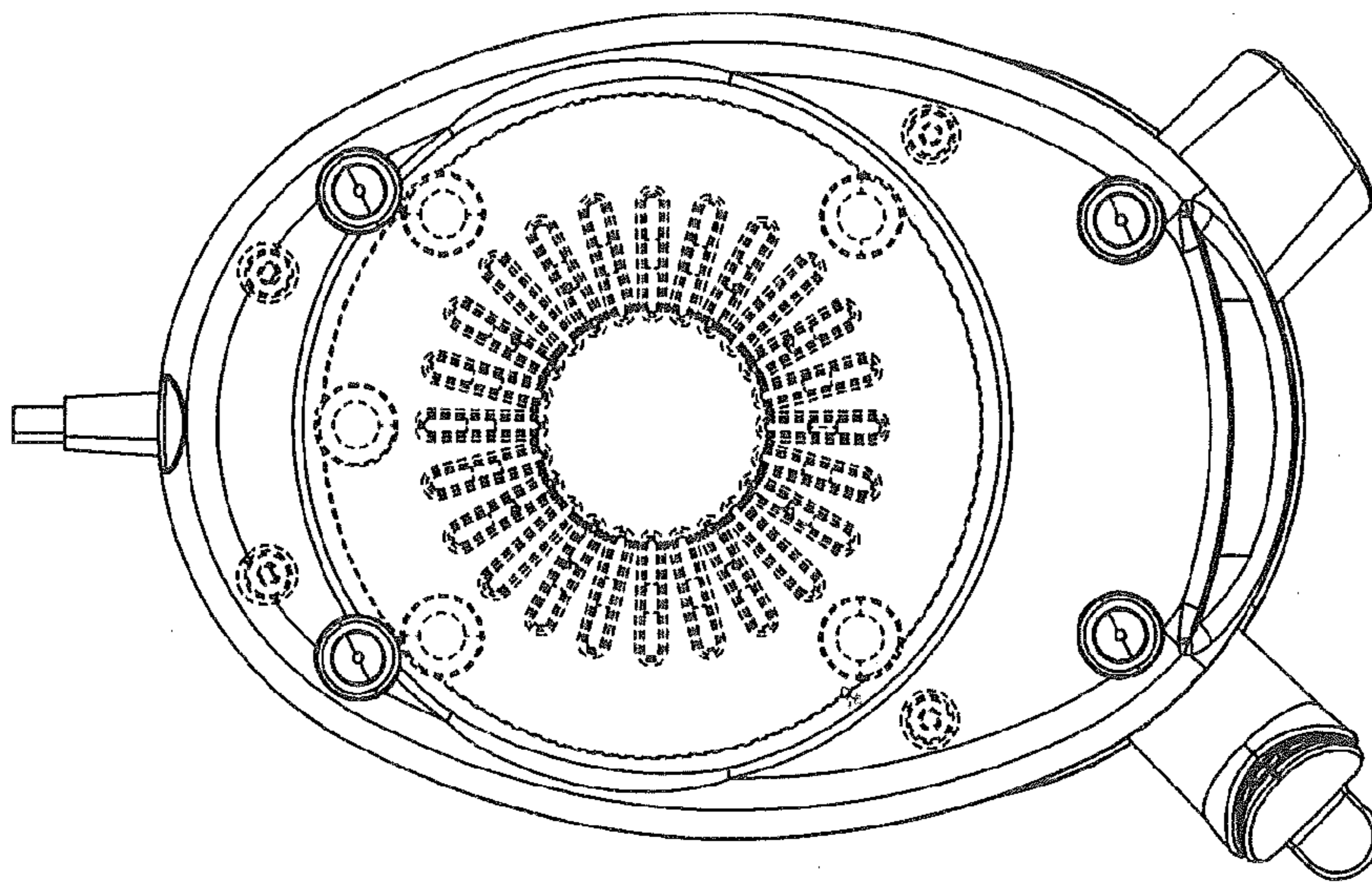


FIG. 7

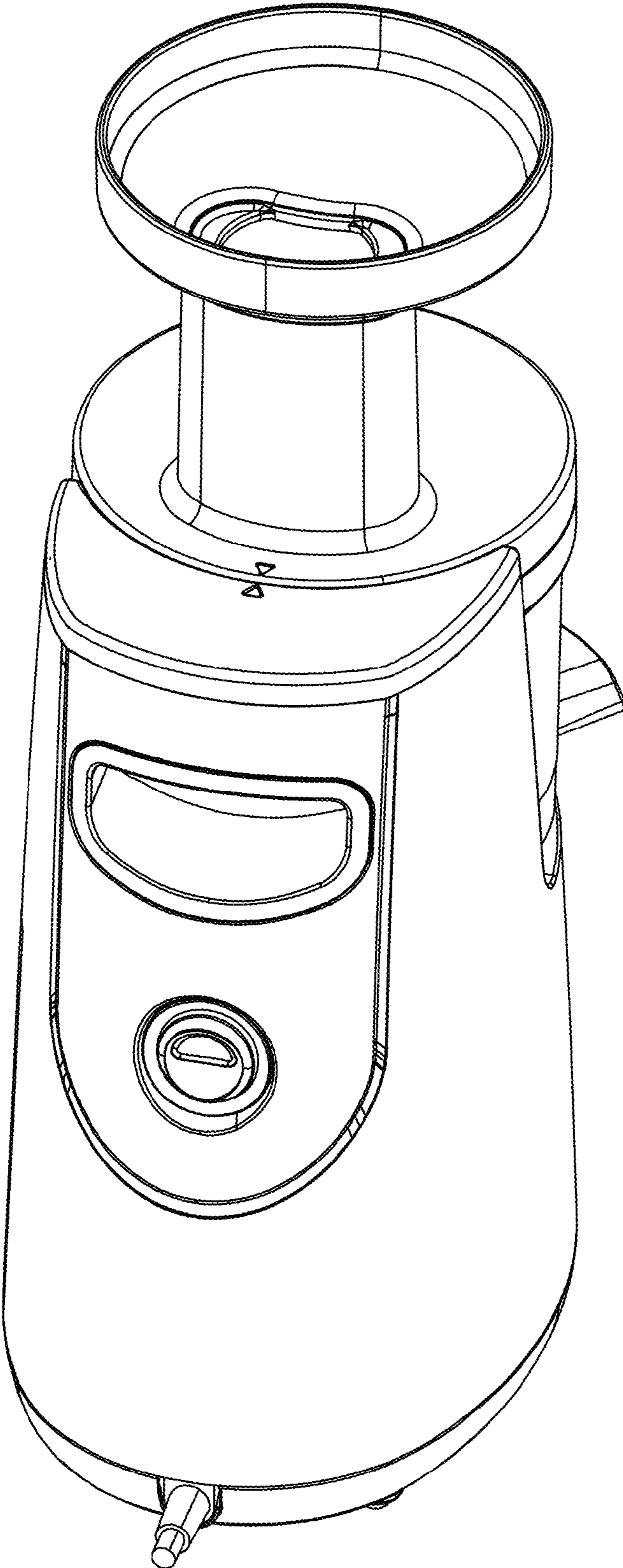


FIG. 8