



US00D744790S

(12) **United States Design Patent**
De Giorgio

(10) **Patent No.:** **US D744,790 S**
(45) **Date of Patent:** **** Dec. 8, 2015**

(54) **BASE FOR A DECANTING CRADLE**

(71) Applicant: **Officina Gourmet GmbH**, Lucerne (CH)

(72) Inventor: **Carmelino De Giorgio**, Ebikon (CH)

(73) Assignee: **Officina Gourmet GmbH**, Lucerne (CH)

(**) Term: **14 Years**

(21) Appl. No.: **29/525,650**

(22) Filed: **Apr. 30, 2015**

Related U.S. Application Data

(62) Division of application No. 29/411,266, filed on Jan. 18, 2012, now Pat. No. Des. 731,254.

(30) **Foreign Application Priority Data**

Jul. 19, 2011 (CH) 138209

(51) **LOC (10) Cl.** **07-06**

(52) **U.S. Cl.**
USPC **D7/621**

(58) **Field of Classification Search**

USPC D7/589, 621, 314, 622, 601-603, 607, D7/608, 620, 619.1, 642.3, 605, 704, 536; 248/127, 128, 133, 139; 222/166, 91; 211/81, 74, 85.4, 75, 85.18, 85.22
CPC ... A47G 23/0241; A47G 23/02; A47G 23/03; A47F 5/0006; A47F 5/081; A47F 5/0087; A47F 5/0093; A47F 5/12; A47F 5/13; A47F 5/132; B01F 2215/0072; Y10S 362/802; B65G 65/24; B67D 1/04; B67D 1/0885; B67D 1/0412; B67D 1/1252; B67D 3/0032; B67D 2001/0825; B67C 9/00; A47B 73/00; A47B 73/002; A47B 73/004; A47B 73/006; A47B 73/008; A47B 96/06; A47B 96/07; A47B 96/067

See application file for complete search history.

(56) **References Cited**

U.S. PATENT DOCUMENTS

622,119 A * 3/1899 Clarke 248/146
1,249,341 A * 12/1917 Cropsey 248/139

(Continued)

Primary Examiner — Ian Simmons

Assistant Examiner — Shannon Morgan

(74) *Attorney, Agent, or Firm* — Smartpat PLC

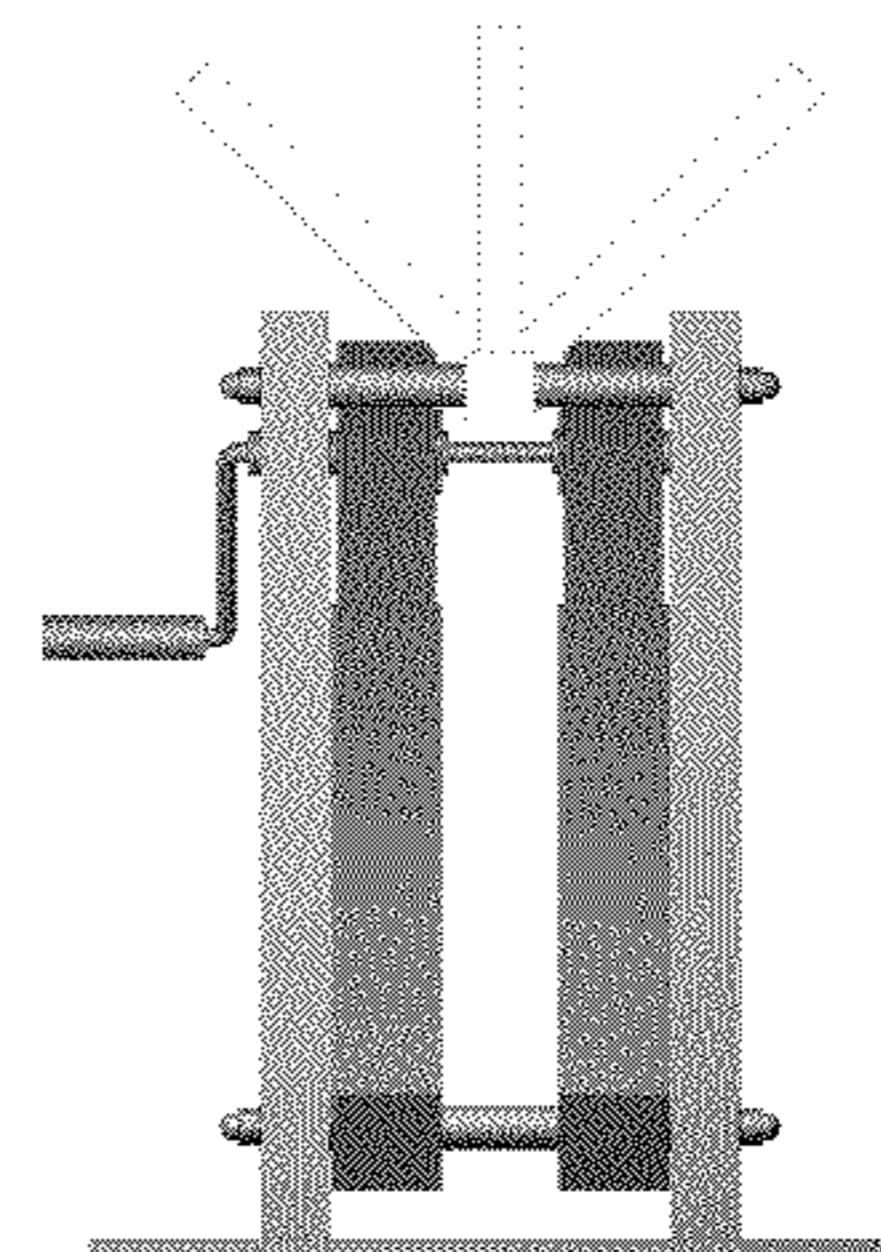
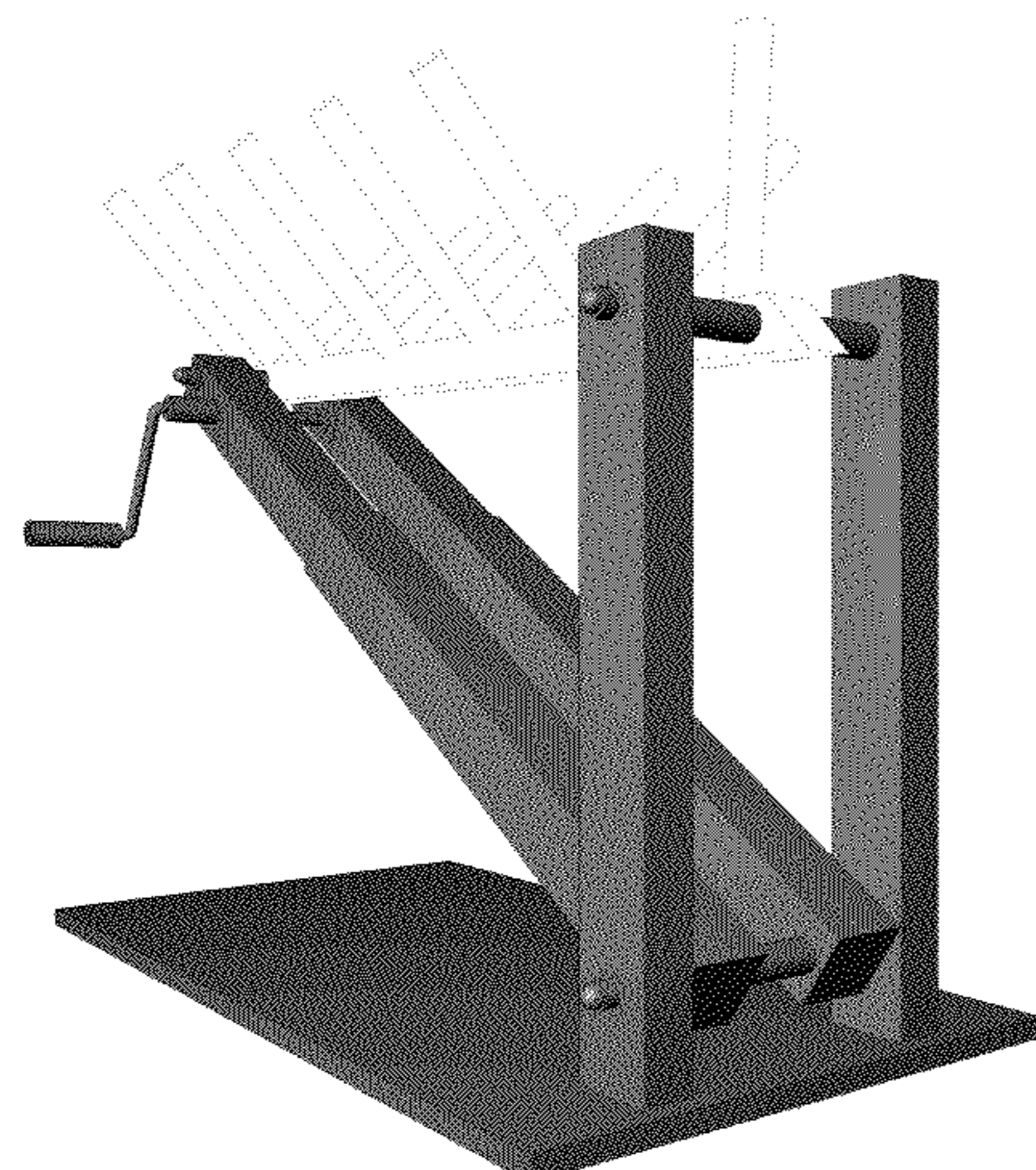
(57) **CLAIM**

I claim the ornamental design for a base for a decanting cradle, as shown and described.

DESCRIPTION

FIG. 1 is a perspective rear and left side view of a base for a decanting cradle showing my new design;
FIG. 2 is a left side elevational view of a base for a decanting cradle in an extended position;
FIG. 3 is a left side elevational view thereof;
FIG. 4 is a left side elevational view of a base for a decanting cradle in a non-extended position;
FIG. 5 is a left side elevational view thereof;
FIG. 6 is a left side elevational view of a base for a decanting cradle in a partially extended position;
FIG. 7 is a left side elevational view thereof;
FIG. 8 is a right side elevational view thereof;
FIG. 9 is a right side elevational view thereof;
FIG. 10 is a front elevational view thereof;
FIG. 11 is a front elevational view thereof;
FIG. 12 is a rear elevational view thereof;
FIG. 13 is a rear elevational view thereof;
FIG. 14 is a top plan view thereof;
FIG. 15 is a top plan view thereof;
FIG. 16 is a bottom plan view thereof; and,
FIG. 17 is a bottom plan view thereof.
The broken line showing of a bottle basket in FIGS. 1, 3, 5, 7, 9, 11, 13, 15 and 17 is included for the purpose of illustrating environmental structure that forms no part of the claimed design.

1 Claim, 17 Drawing Sheets



(56)

References Cited

U.S. PATENT DOCUMENTS

1,429,587	A *	9/1922	Harris	72/461	D262,085	S *	12/1981	Petley	D7/621
1,999,791	A *	4/1935	Siegfried	248/49	4,317,551	A *	3/1982	Bishop	248/141
D102,904	S *	1/1937	Karsh	D7/314	D322,343	S *	12/1991	Pearcy	D32/58
2,575,809	A *	11/1951	Hankins	141/114	5,586,743	A *	12/1996	Sodolak	248/671
D173,883	S *	1/1955	Postal	D6/465	D449,414	S *	10/2001	James et al.	D32/55
2,924,168	A *	2/1960	Jamentz	99/426	D460,295	S *	7/2002	Fissell et al.	D6/682.6
D194,512	S *	2/1963	Donaldson	D32/58	6,425,421	B1 *	7/2002	Morrison	141/64
D199,773	S *	12/1964	Mueller	D7/621	D465,891	S *	11/2002	Brown	D32/55
3,286,969	A *	11/1966	Frescobaldi	248/688	7,708,241	B2 *	5/2010	Wiemholt	248/138
3,295,728	A *	1/1967	Hochmuth	222/166	D634,909	S *	3/2011	Guthrie	D32/55
D233,723	S *	11/1974	Guitierrez	D7/704	D637,815	S *	5/2011	Hsieh	D3/313
3,868,047	A *	2/1975	Bersano	222/166	8,496,139	B2 *	7/2013	Nishino	222/91
4,150,806	A *	4/1979	Dziuk	248/154	D727,687	S *	4/2015	De Giorgio	D7/589
4,162,015	A *	7/1979	Hodges	211/87.01	D731,252	S *	6/2015	De Giorgio	D7/619.1
4,238,035	A *	12/1980	Kassanchuk	211/74	D731,255	S *	6/2015	De Giorgio	D7/621
					2013/0026118	A1 *	1/2013	De Lourdes Mireles	211/74

* cited by examiner



FIG. 1



FIG. 2

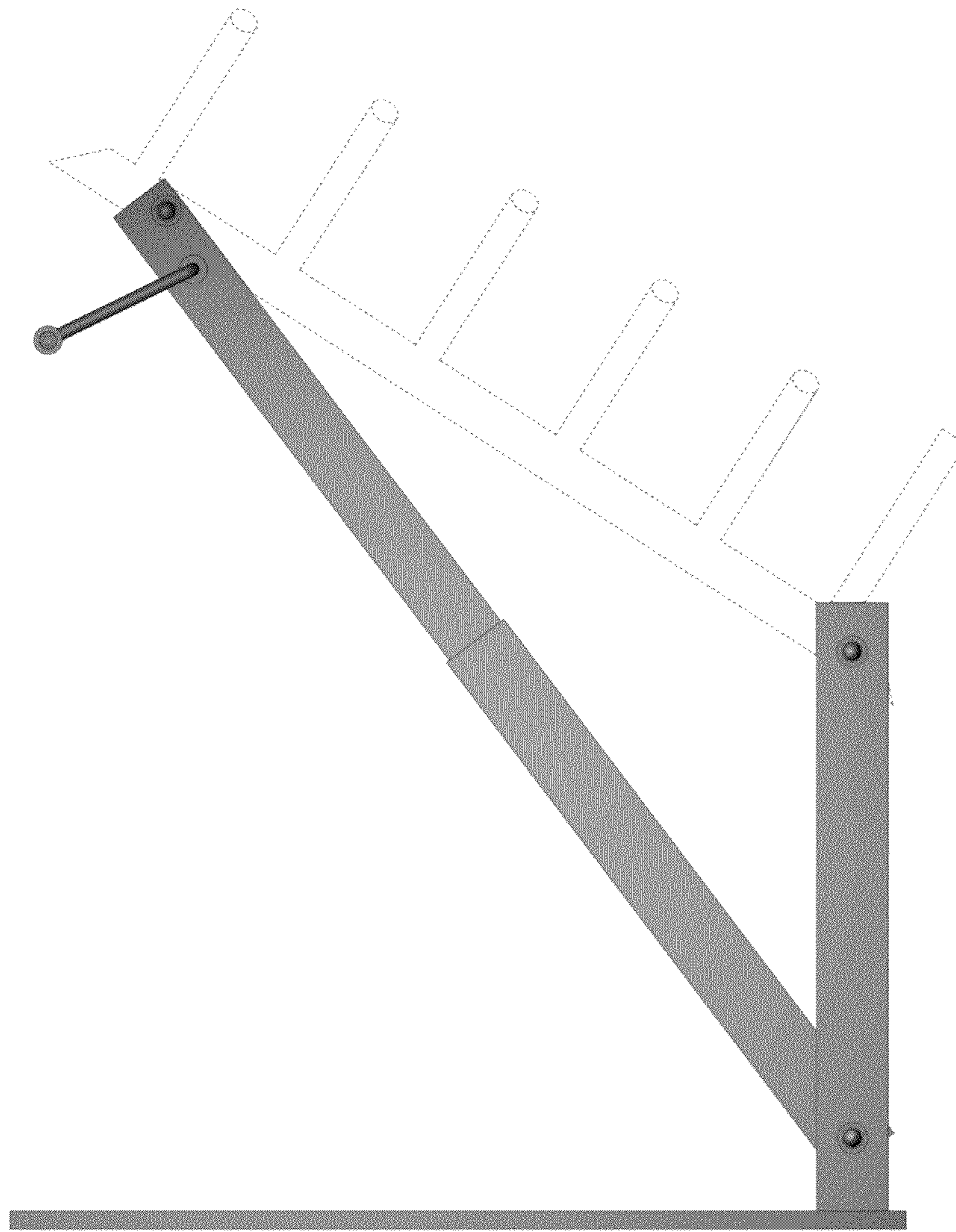


FIG. 3

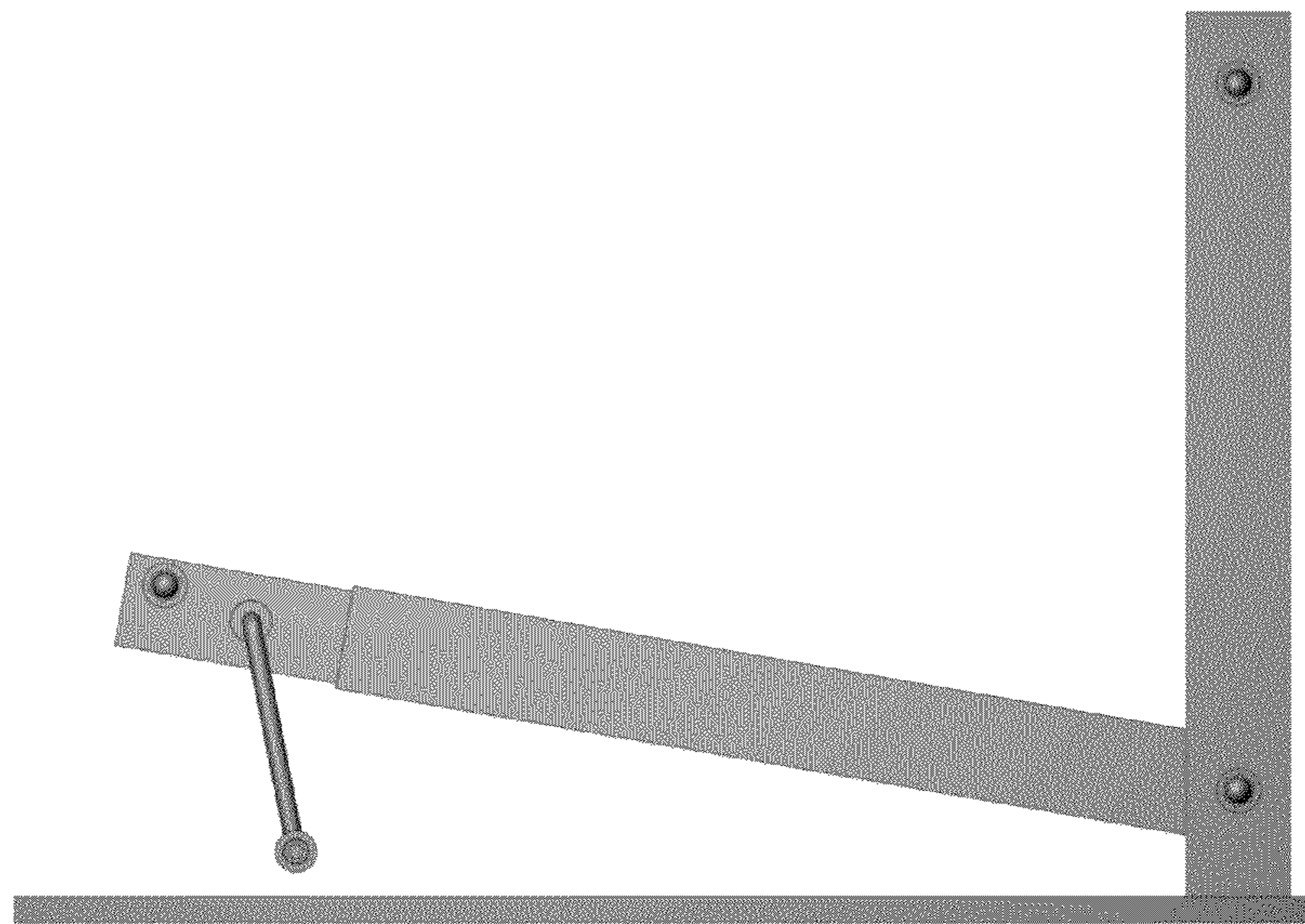


FIG. 4

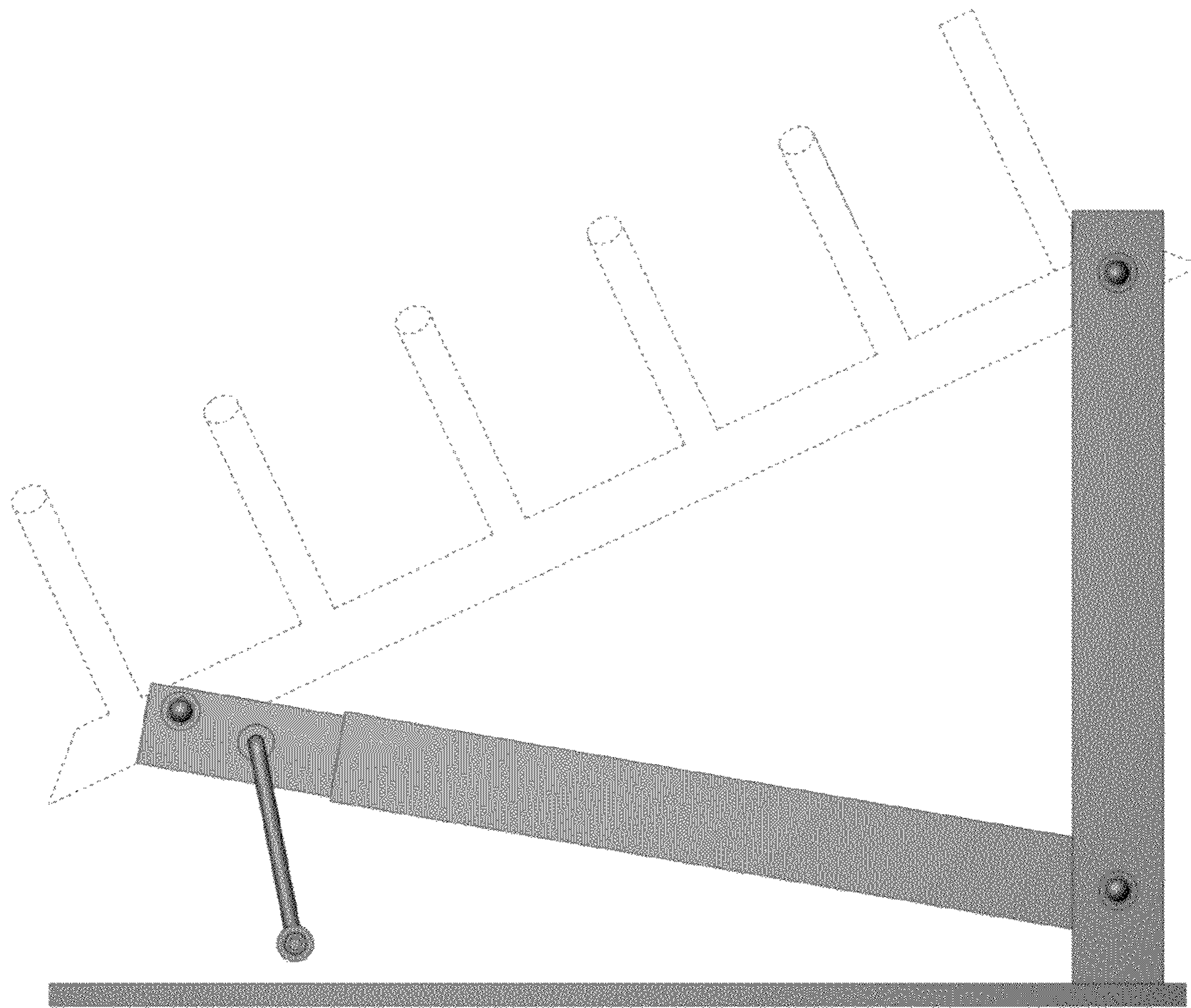


FIG. 5

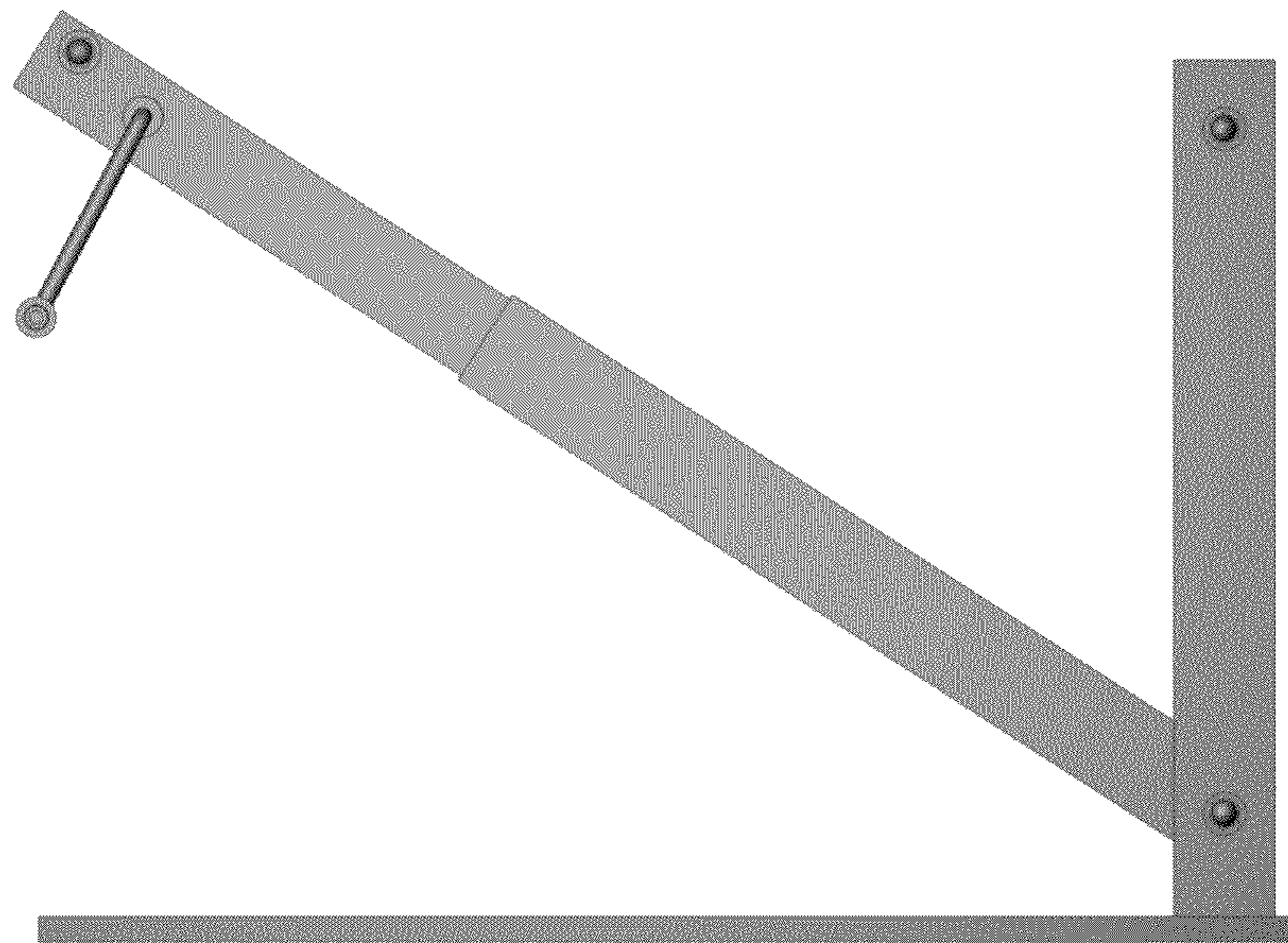


FIG. 6

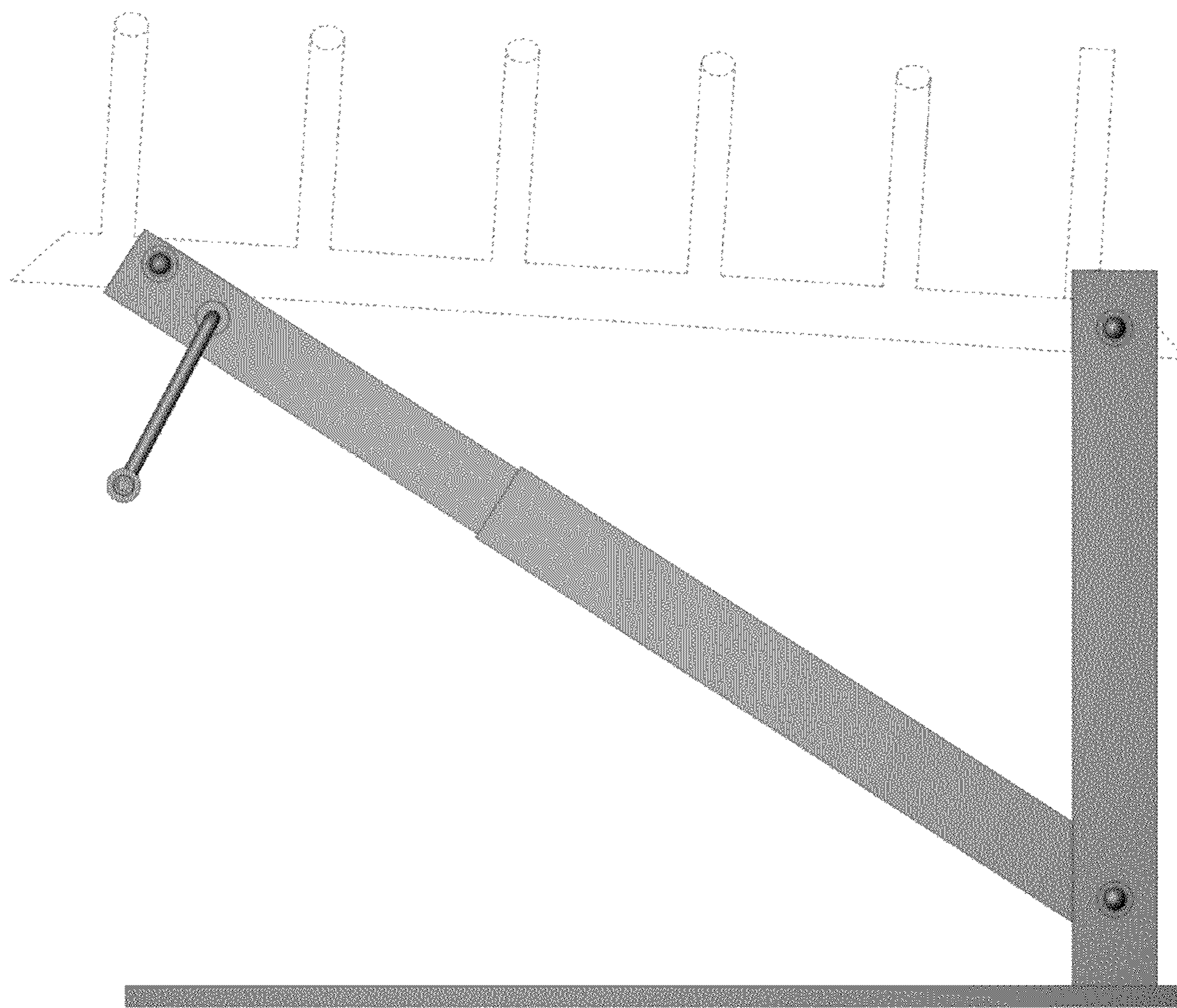


FIG. 7

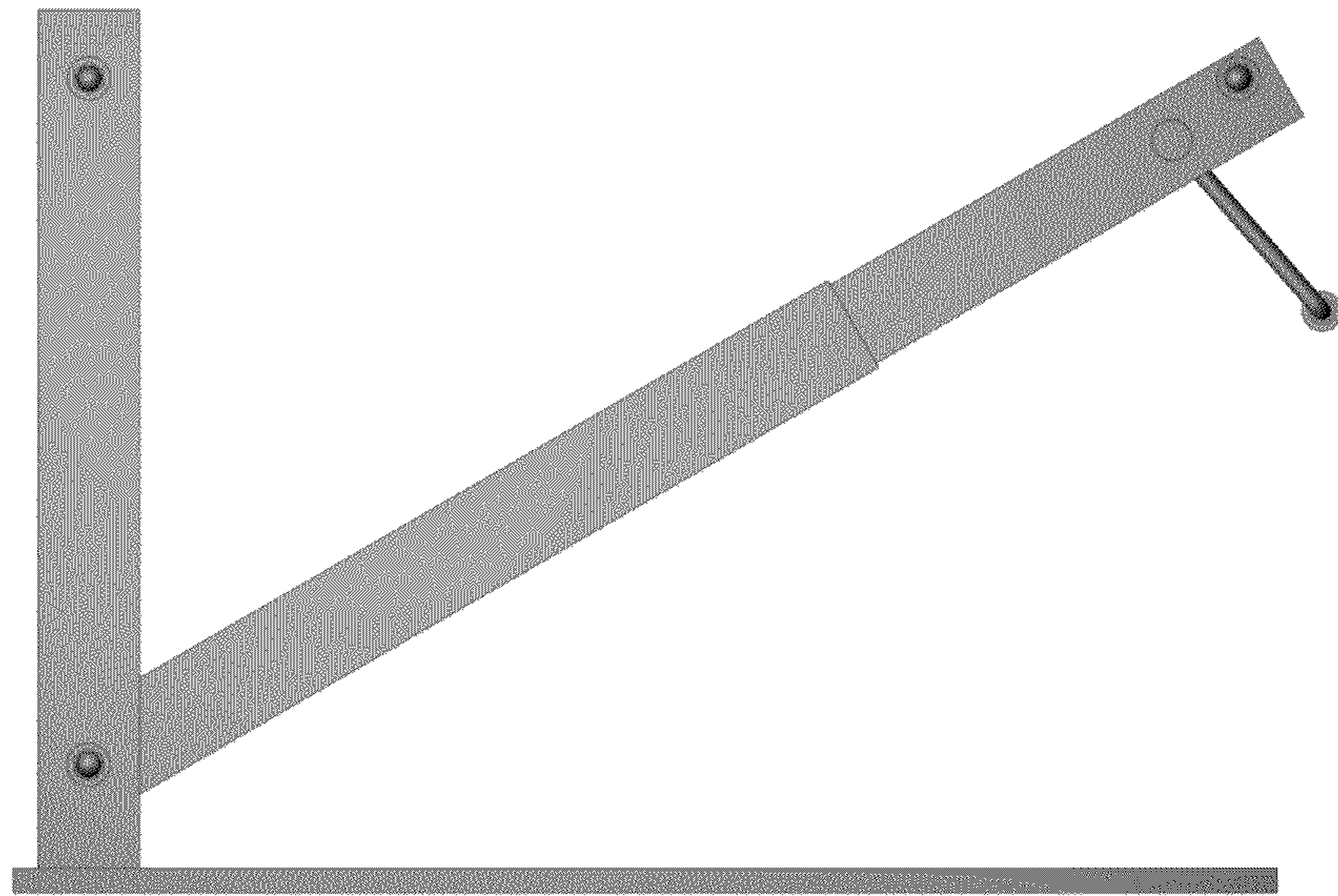


FIG. 8

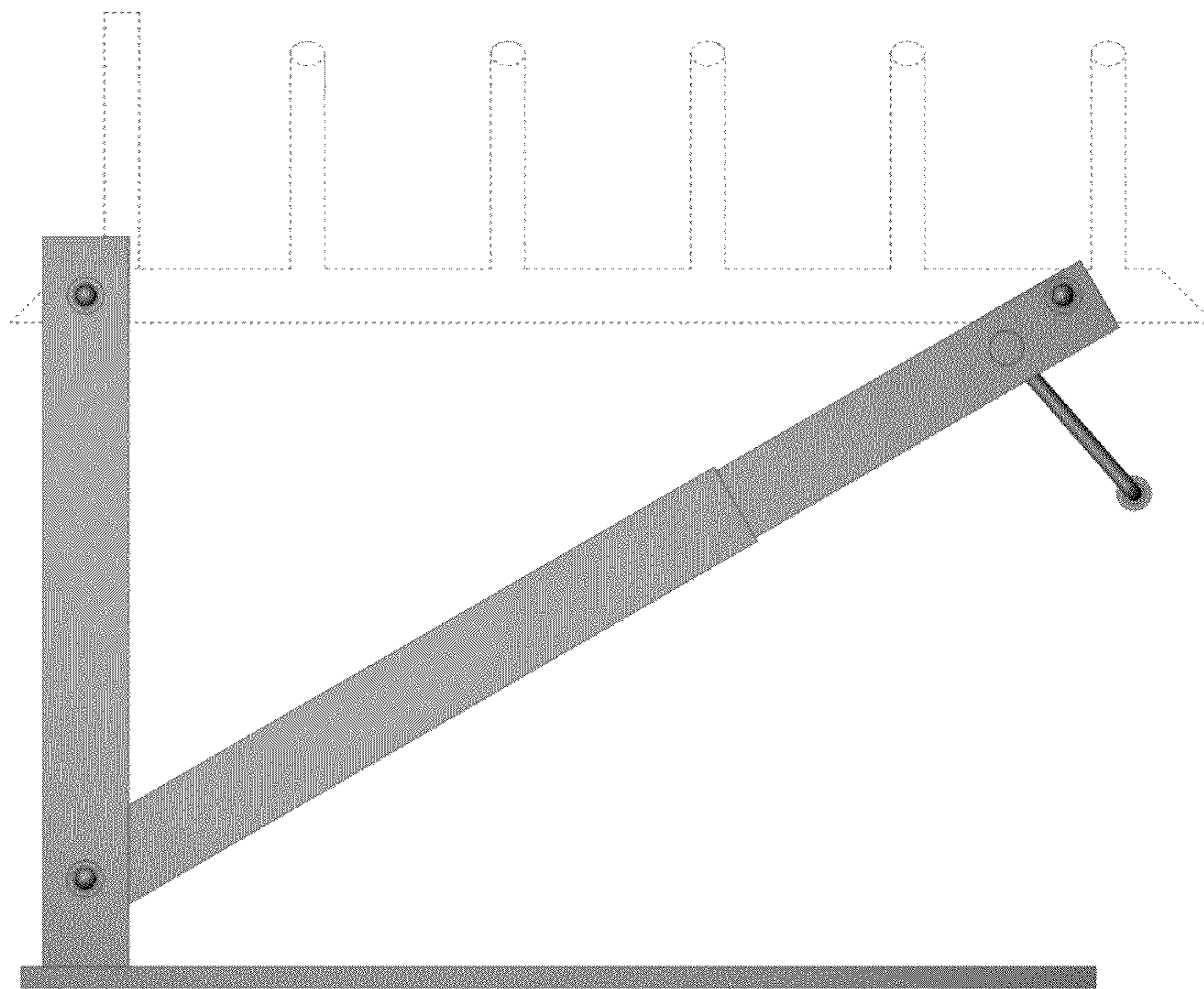


FIG. 9

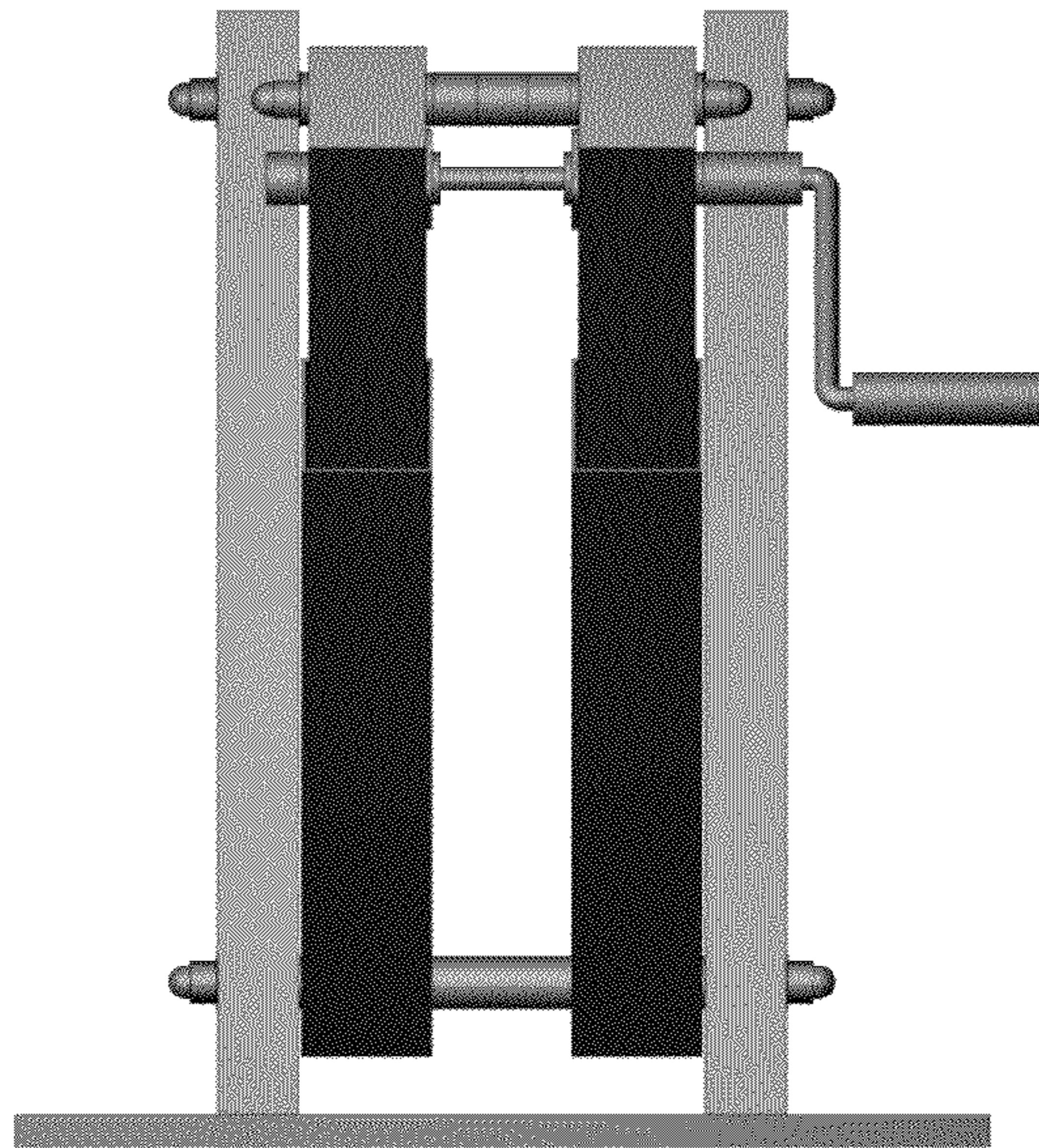


FIG. 10

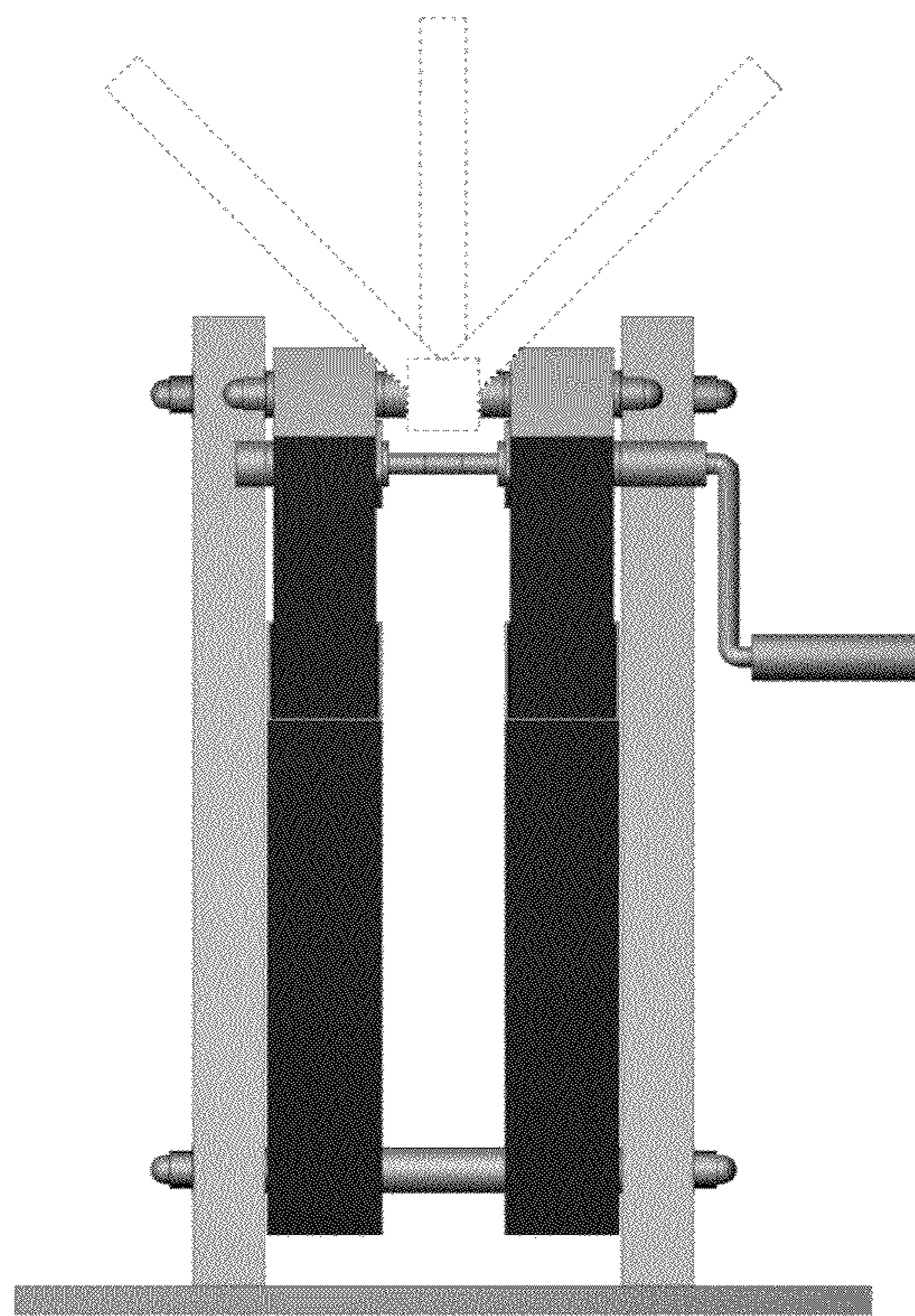


FIG. 11

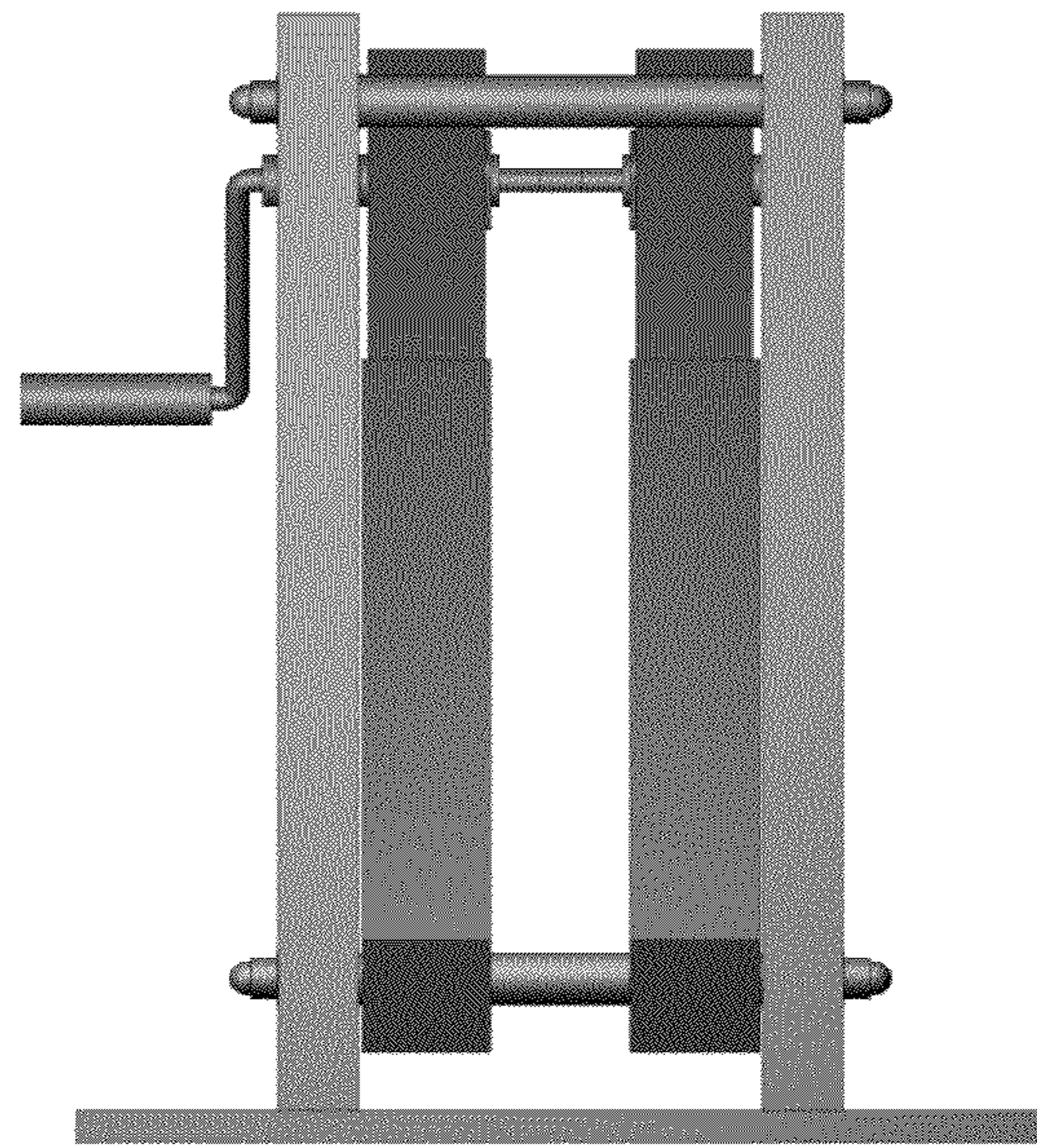


FIG. 12

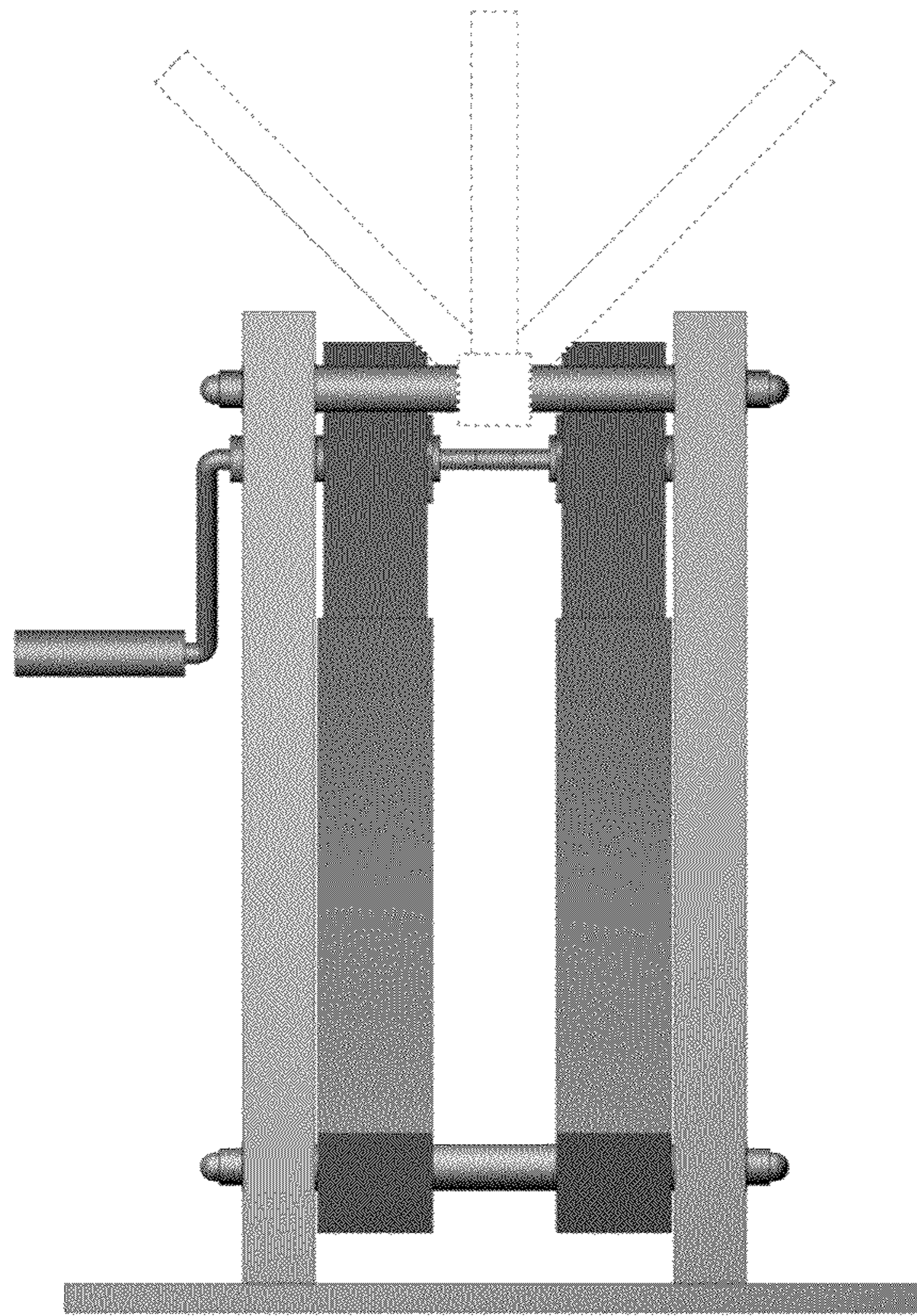


FIG. 13

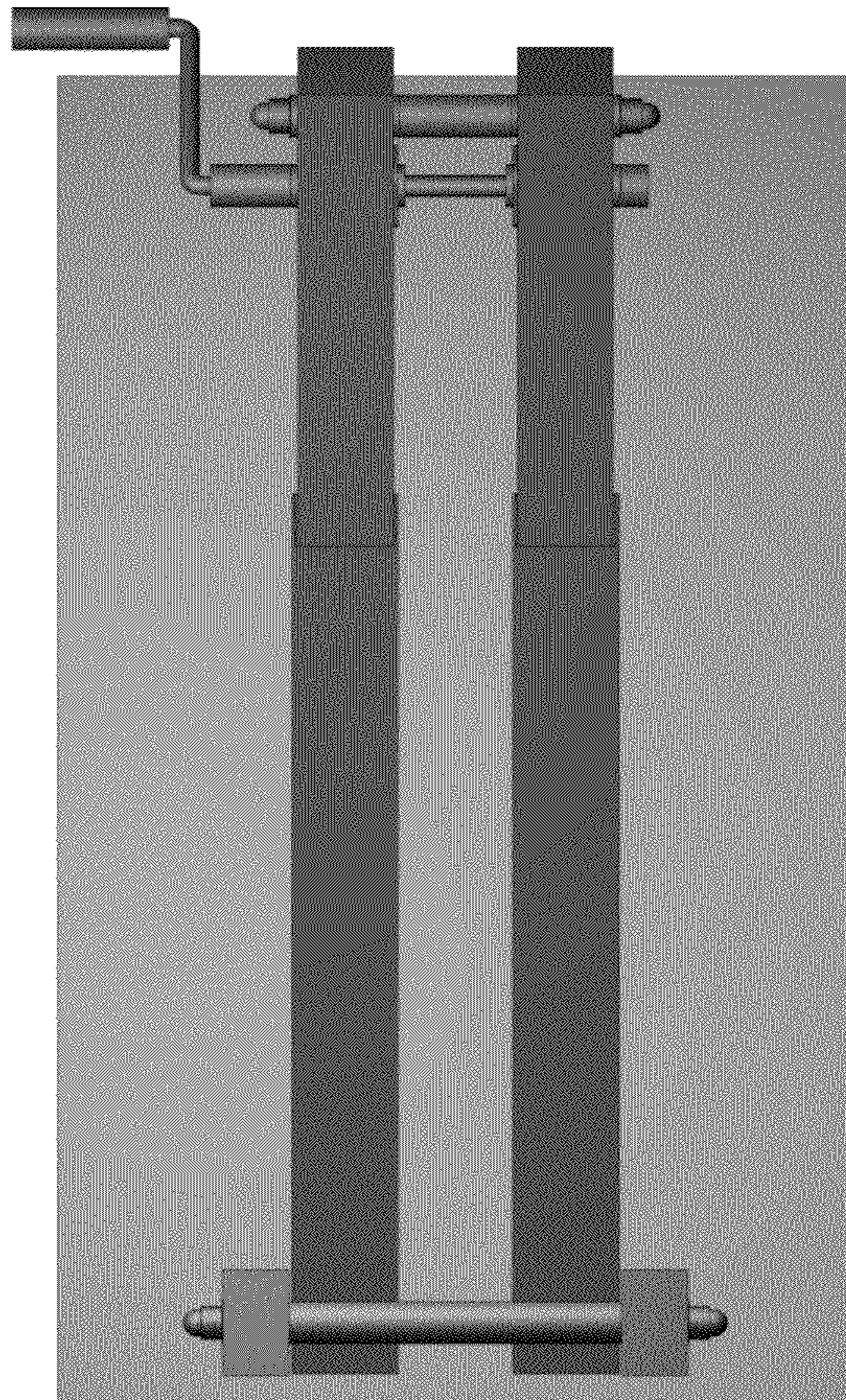


FIG. 14

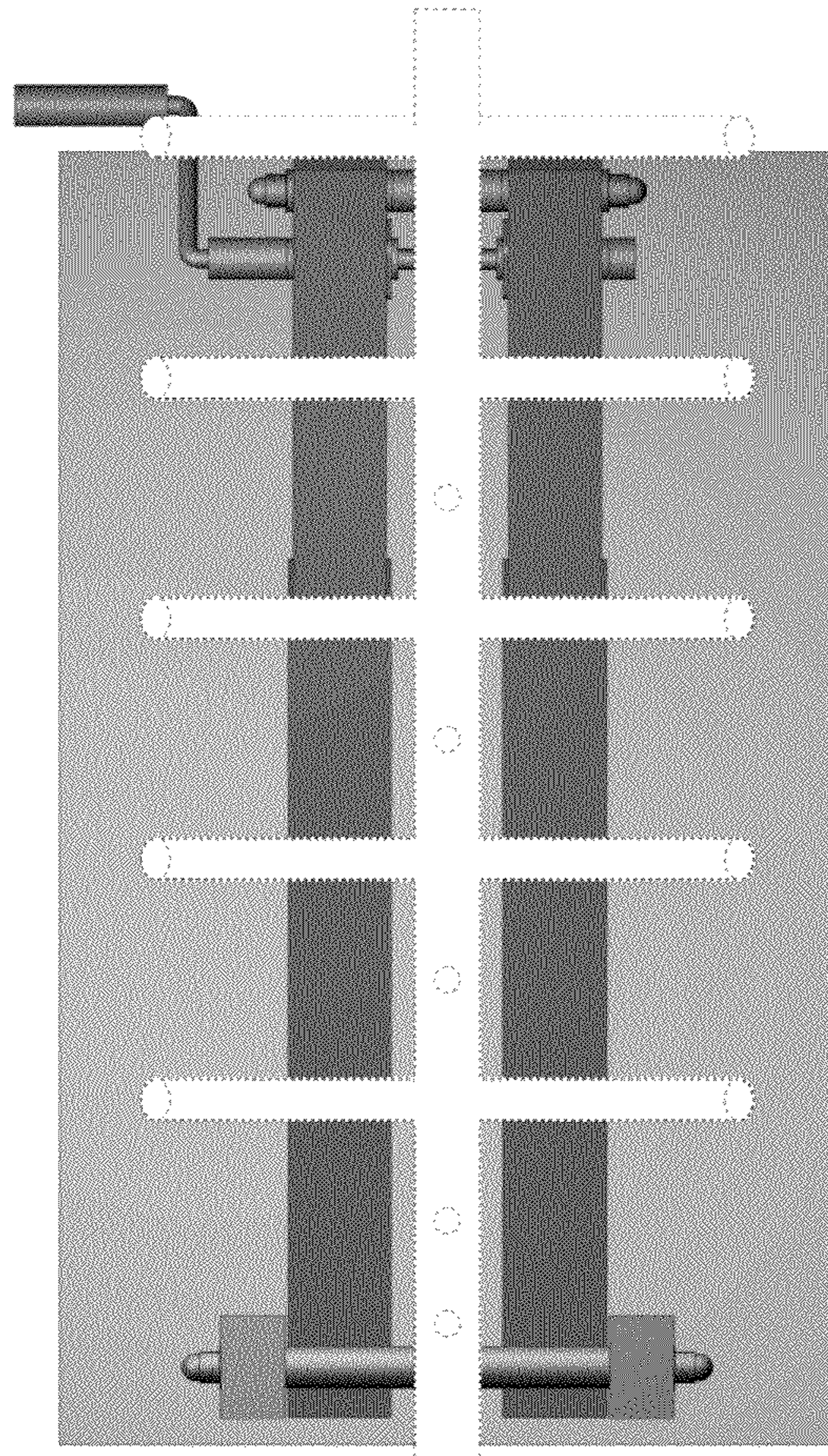


FIG. 15



FIG. 16



FIG. 17