



US00D744788S

(12) **United States Design Patent**
De Giorgio

(10) **Patent No.:** **US D744,788 S**

(45) **Date of Patent:** **** Dec. 8, 2015**

(54) **BOTTLE BASKET FOR A DECANTING CRADLE**

(71) Applicant: **Officina Gourmet GmbH**, Lucerne (CH)

(72) Inventor: **Carmelino De Giorgio**, Ebikon (CH)

(73) Assignee: **Officina Gourmet GmbH**, Lucerne (CH)

(**) Term: **14 Years**

(21) Appl. No.: **29/525,652**

(22) Filed: **Apr. 30, 2015**

Related U.S. Application Data

(62) Division of application No. 29/411,268, filed on Jan. 18, 2012, now Pat. No. Des. 731,252.

(30) **Foreign Application Priority Data**

Jul. 19, 2011 (CH) 138209

(51) **LOC (10) Cl.** **07-06**

(52) **U.S. Cl.**
USPC **D7/619.1**

(58) **Field of Classification Search**

USPC D7/589, 621, 314, 622, 601-603, 607, D7/608, 620, 619.1, 642.3, 605, 704, 536; 248/127, 128, 133, 139; 222/166, 91; 211/81, 74, 85.4, 75, 85.18, 85.22
CPC ... A47G 23/0241; A47G 23/02; A47G 23/03; A47F 5/0006; A47F 5/081; A47F 5/0087; A47F 5/0093; A47F 5/12; A47F 5/13; A47F 5/132; B01F 2215/0072; Y10S 362/802; B65G 65/24; B67D 1/04; B67D 1/0885; B67D 1/0412; B67D 1/1252; B67D 3/0032; B67D 2001/0825; B67C 9/00; A47B 73/00; A47B 73/002; A47B 73/004; A47B 73/006; A47B 73/008; A47B 96/06; A47B 96/07; A47B 96/067

See application file for complete search history.

(56) **References Cited**

U.S. PATENT DOCUMENTS

622,119 A * 3/1899 Clarke 248/146
1,249,341 A * 12/1917 Cropsey 248/139

(Continued)

Primary Examiner — Ian Simmons

Assistant Examiner — Shannon Morgan

(74) *Attorney, Agent, or Firm* — Smartpat PLC

(57) **CLAIM**

I claim the ornamental design for a bottle basket for a decanting cradle, as shown and described.

DESCRIPTION

FIG. 1 is a perspective top, rear and left side view of a bottle basket for a decanting cradle showing a first embodiment of my new design;

FIG. 2 is a left side elevational view of a first embodiment of a bottle basket for a decanting cradle, the right side being a mirror image;

FIG. 3 is a front elevational view thereof;

FIG. 4 is a rear elevational view thereof;

FIG. 5 is a top plan view thereof;

FIG. 6 is a bottom plan view thereof;

FIG. 7 is a perspective top, rear and left side view of a bottle basket for a decanting cradle showing a second embodiment of my new design;

FIG. 8 is a left side elevational view of a second embodiment of a bottle basket, the right side being a mirror image;

FIG. 9 is a front elevational view thereof;

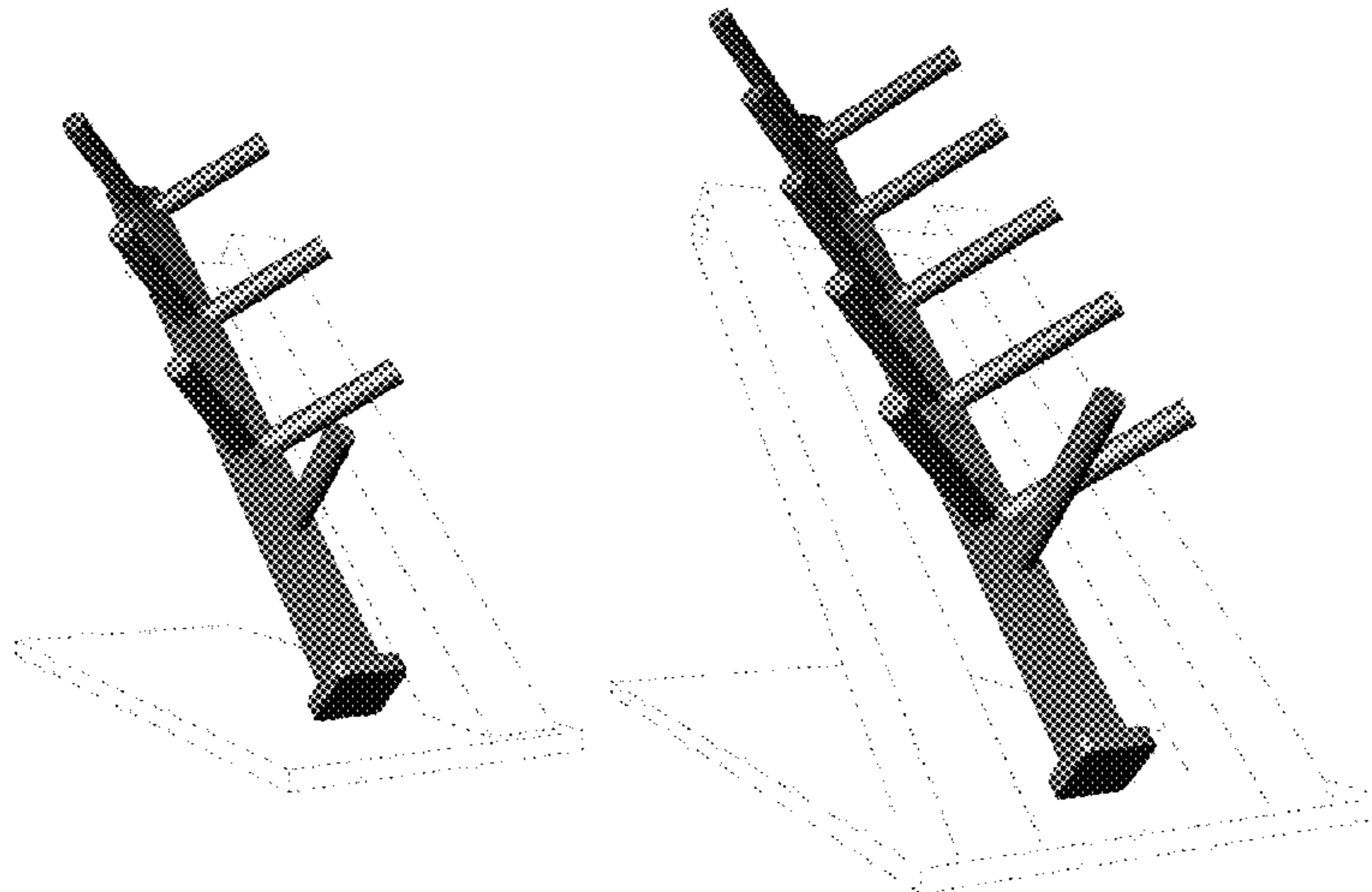
FIG. 10 is a rear elevational view thereof;

FIG. 11 is a top plan view thereof; and,

FIG. 12 is a bottom plan view thereof.

The broken line showing of a base for a decanting cradle in FIG. 1 and FIG. 7 is included for the purpose of illustrating environment structure that forms no part of the claimed design.

1 Claim, 4 Drawing Sheets



(56)

References Cited

U.S. PATENT DOCUMENTS

1,429,587 A * 9/1922 Harris 72/461
 1,999,791 A * 4/1935 Siegfried 248/49
 D102,904 S * 1/1937 Karsh D7/314
 2,575,809 A * 11/1951 Hankins 141/114
 D173,883 S * 1/1955 Postal D6/465
 2,924,168 A * 2/1960 Jamentz 99/426
 D194,512 S * 2/1963 Donaldson, Sr. D32/58
 D199,773 S * 12/1964 Mueller D7/621
 3,286,969 A * 11/1966 Frescobaldi 248/688
 3,295,728 A * 1/1967 Hochmuth 222/166
 D233,723 S * 11/1974 Gutierrez D7/704
 3,868,047 A * 2/1975 Bersano 222/166
 4,150,806 A * 4/1979 Dziuk 248/154
 4,162,015 A * 7/1979 Hodges 211/87.01
 4,238,035 A * 12/1980 Kassanchuk 211/74

D262,085 S * 12/1981 Petley D7/621
 4,317,551 A * 3/1982 Bishop 248/141
 D322,343 S * 12/1991 Percy D32/58
 5,586,743 A * 12/1996 Sodolak 248/671
 D449,414 S * 10/2001 James et al. D32/55
 D460,295 S * 7/2002 Fissell et al. D6/682.6
 6,425,421 B1 * 7/2002 Morrison 141/64
 D465,891 S * 11/2002 Brown D32/55
 7,708,241 B2 * 5/2010 Wiemholt 248/138
 D634,909 S * 3/2011 Guthrie D32/55
 D637,815 S * 5/2011 Hsieh D3/313
 8,496,139 B2 * 7/2013 Nishino 222/91
 D727,687 S * 4/2015 De Giorgio D7/589
 D731,252 S * 6/2015 De Giorgio D7/619.1
 D731,254 S * 6/2015 De Giorgio D7/621
 D731,255 S * 6/2015 De Giorgio D7/621
 2013/0026118 A1 * 1/2013 De Lourdes Mireles 211/74

* cited by examiner

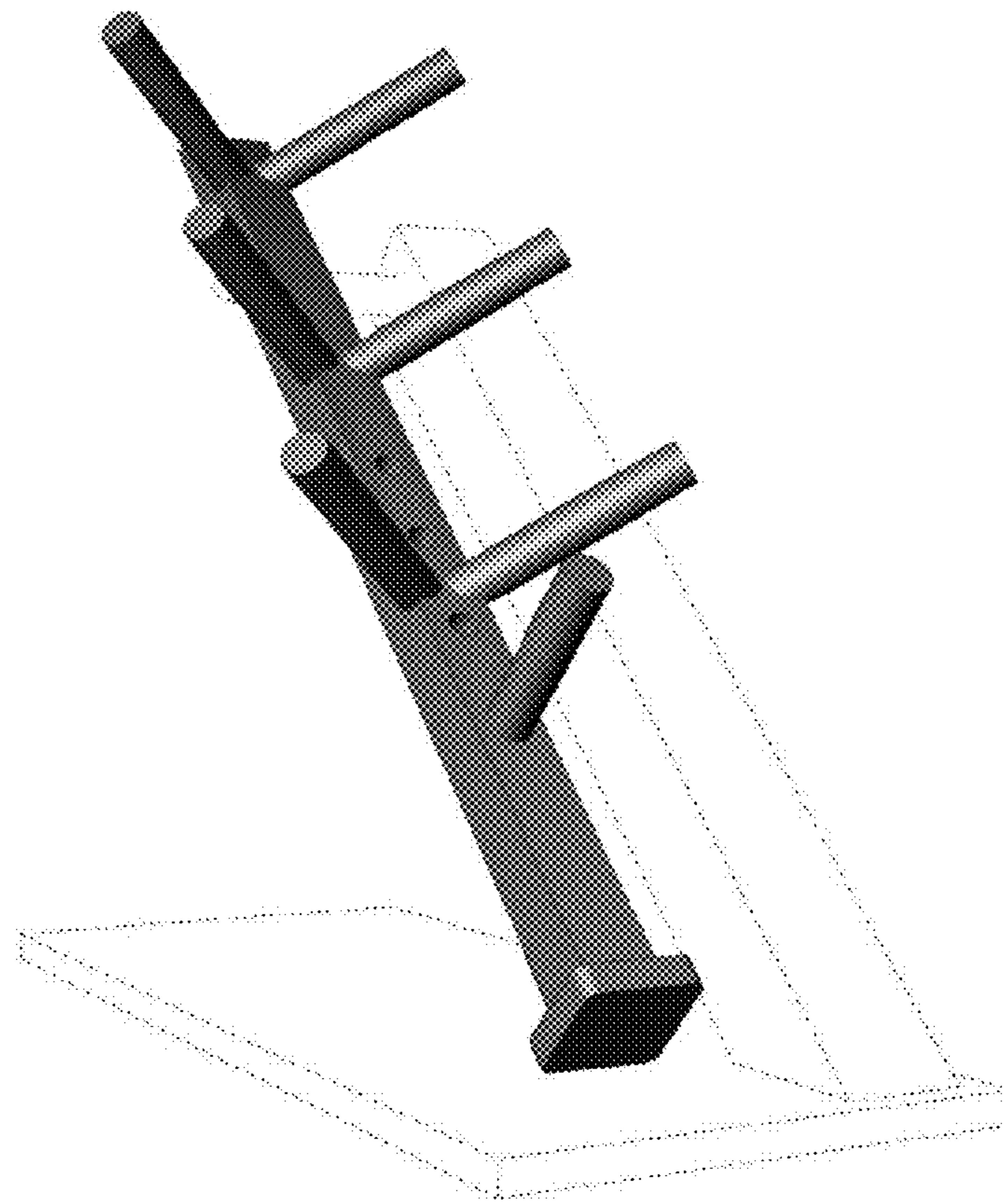


FIG. 1

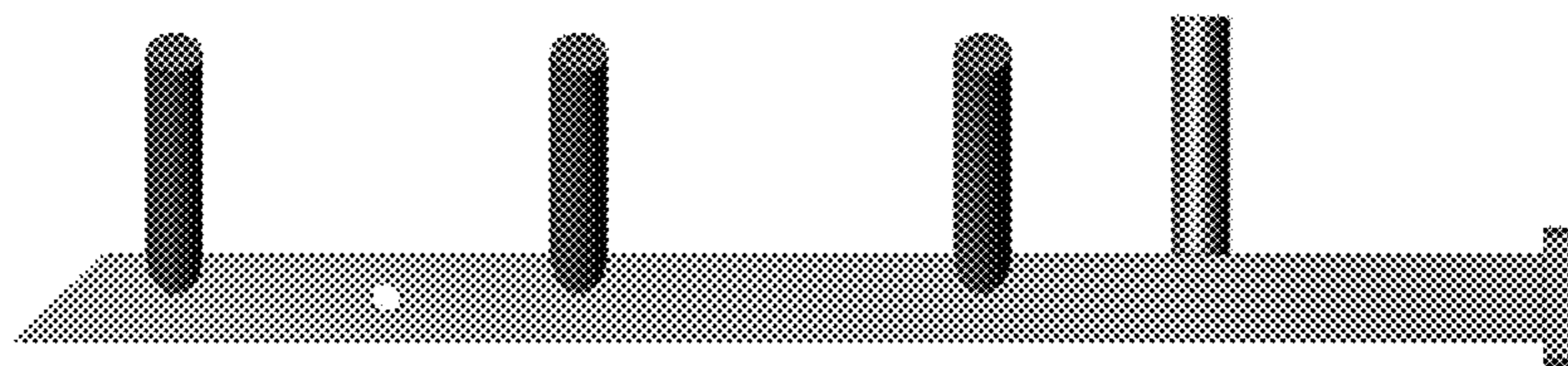


FIG. 2

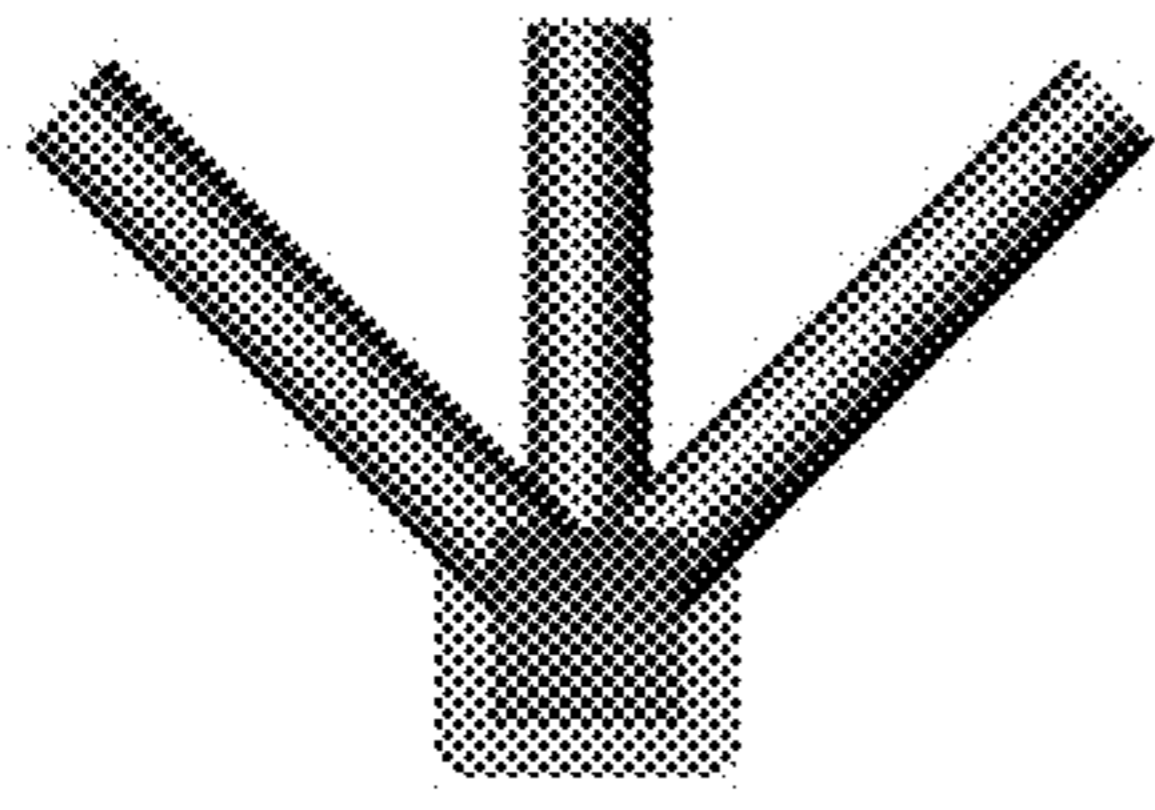


FIG. 3

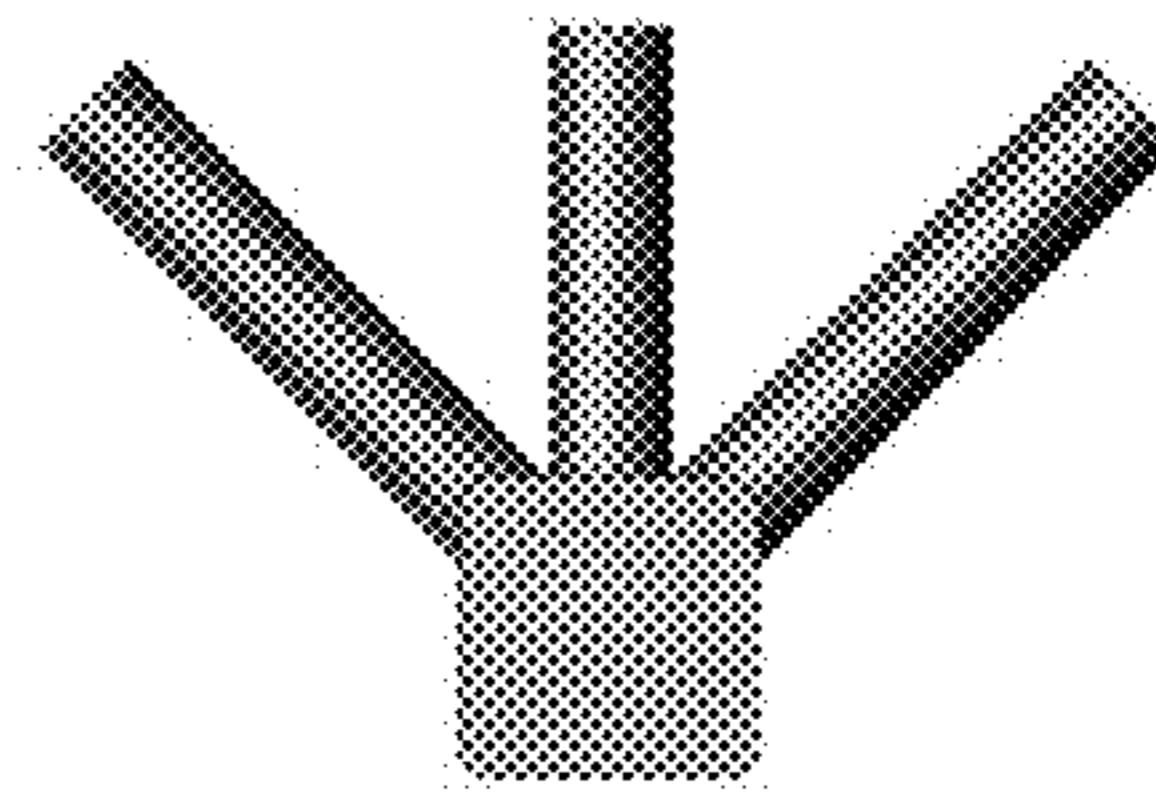


FIG. 4

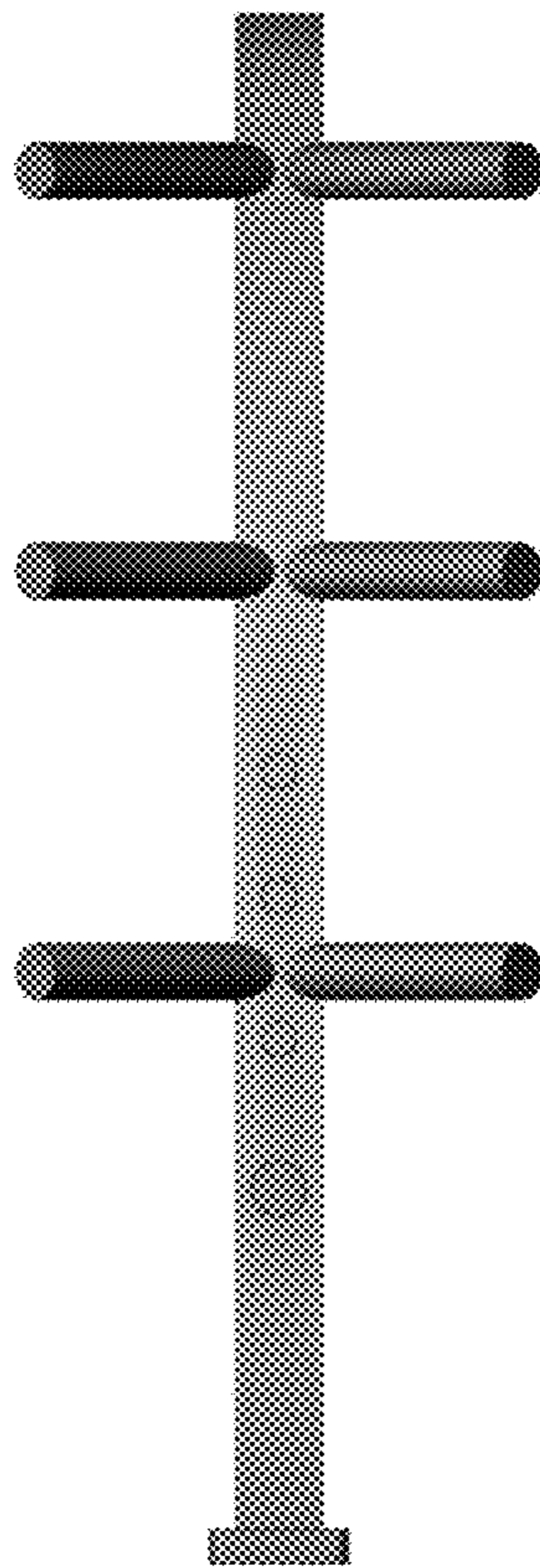


FIG. 5

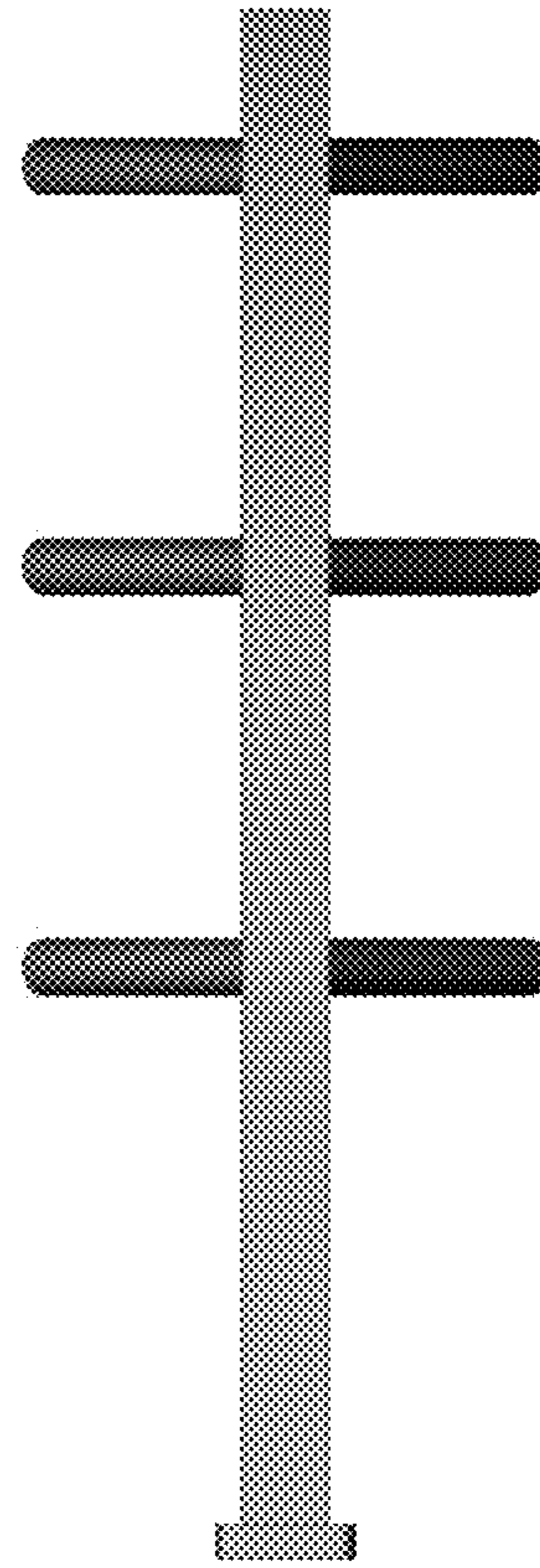


FIG. 6

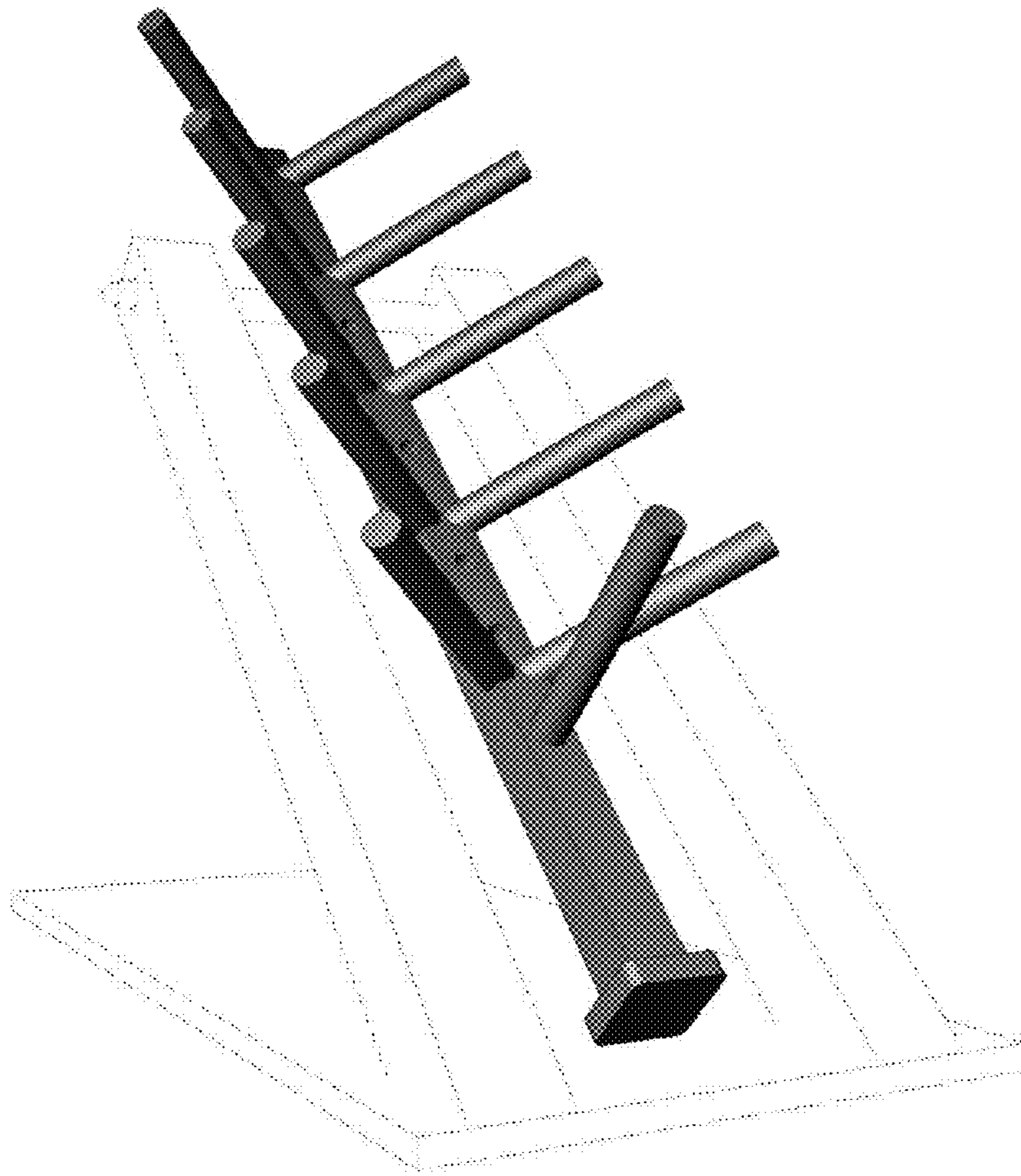


FIG. 7

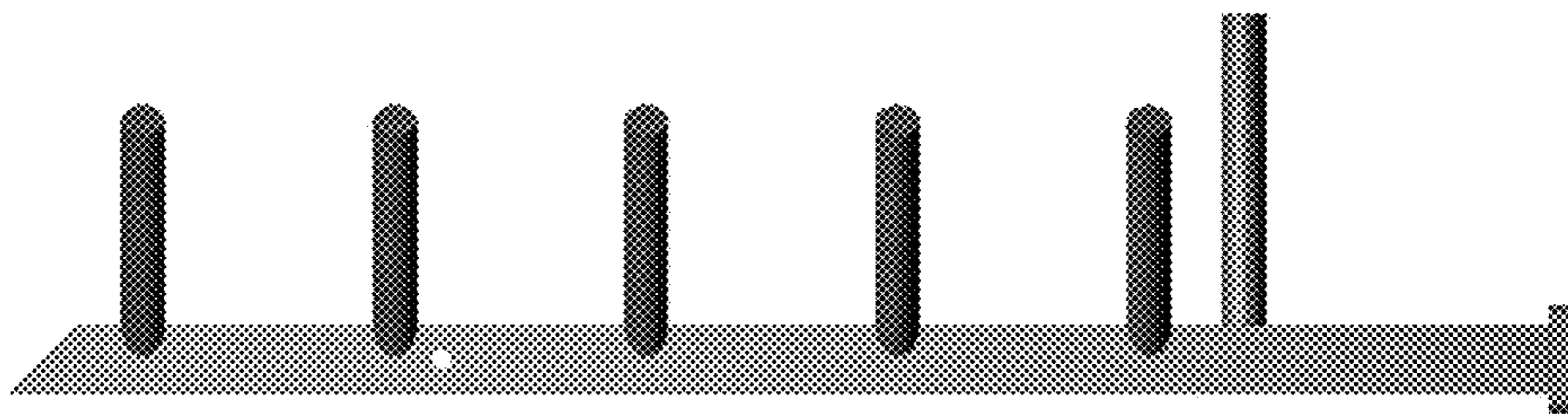


FIG. 8

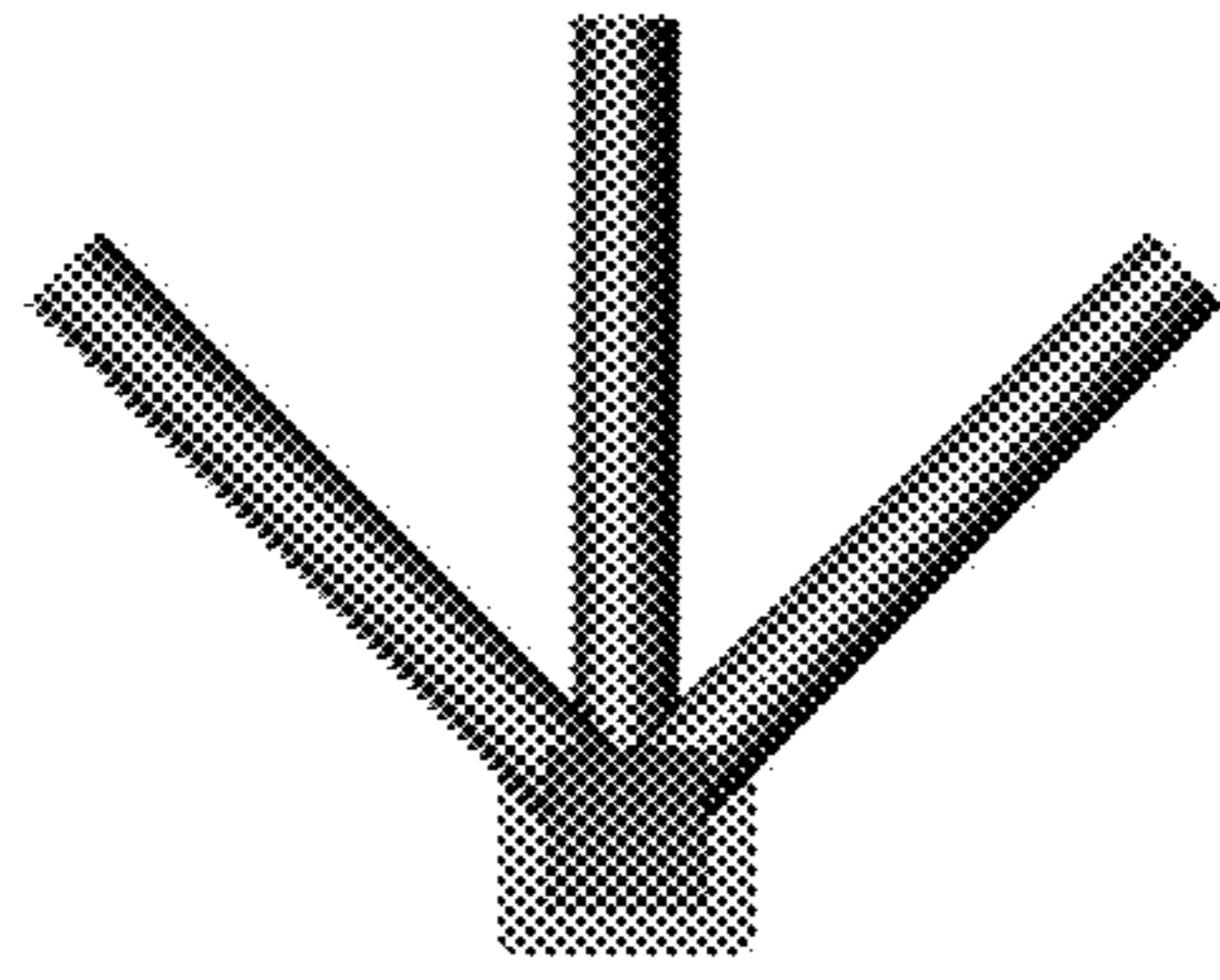


FIG. 9

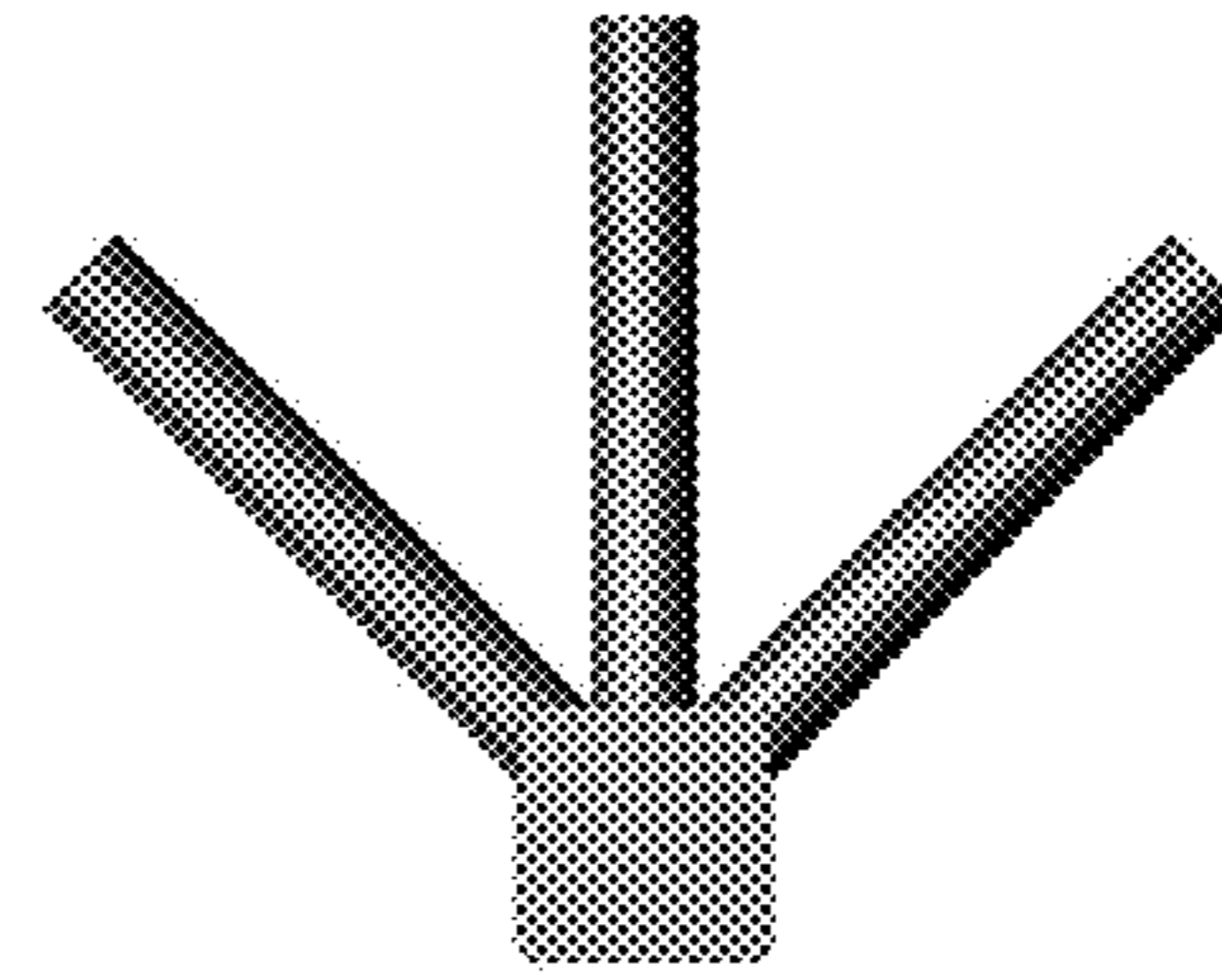


FIG. 10

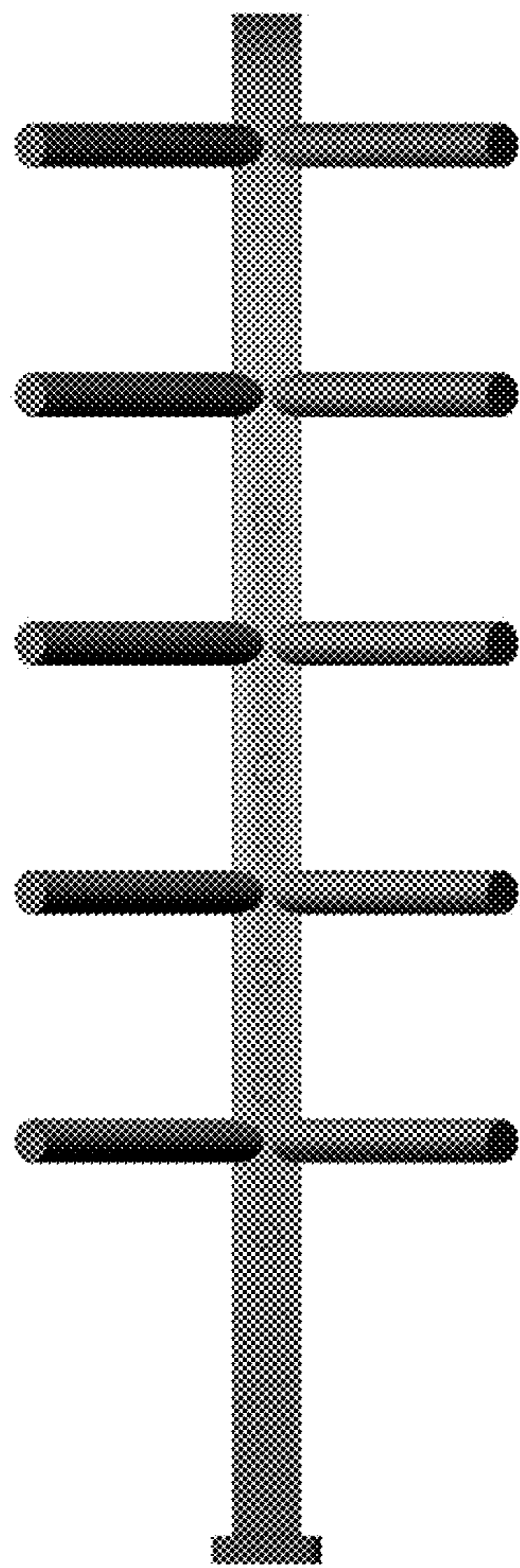


FIG. 11

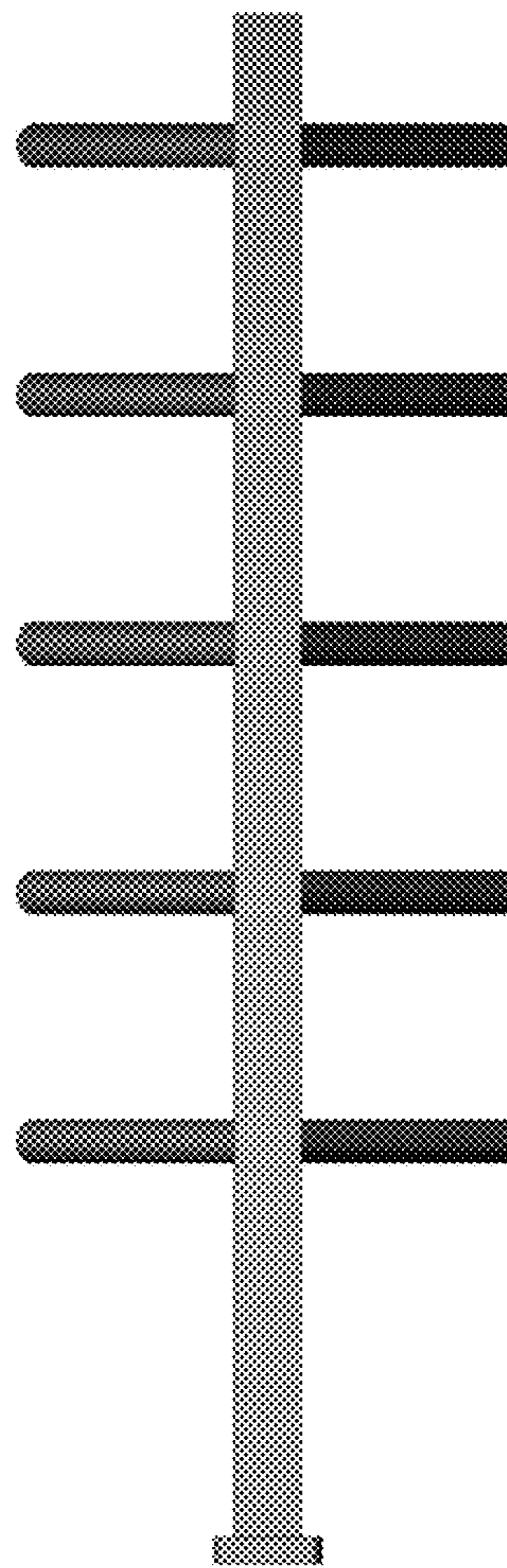


FIG. 12