



US00D744786S

(12) **United States Design Patent**
Bagwell

(10) **Patent No.:** **US D744,786 S**
(45) **Date of Patent:** **** Dec. 8, 2015**

(54) **INSULATED COOLER HAVING LED LIGHTS**

(71) Applicant: **Lesley Bagwell**, Cullman, AL (US)

(72) Inventor: **Lesley Bagwell**, Cullman, AL (US)

(**) Term: **14 Years**

(21) Appl. No.: **29/491,872**

(22) Filed: **May 27, 2014**

(51) **LOC (10) Cl.** **07-01**

(52) **U.S. Cl.**
USPC **D7/605**

(58) **Field of Classification Search**
USPC D7/603–607, 629, 630, 602; 220/915.1,
220/915.2, 592.09, 592.01, 592.12, 592.17,
220/592.19, 592.16, 592.27;
62/457.1–457.9, 371, 372, 264;
362/92, 101, 154, 94
CPC A45C 11/20; A45C 9/00; F25D 3/08;
F25D 2400/08; F25D 31/005; F25D 27/00;
B62B 3/003
See application file for complete search history.

(56) **References Cited**

U.S. PATENT DOCUMENTS

2,644,882	A *	7/1953	Voda	362/94
4,024,731	A *	5/1977	Branscum	62/457.2
D257,934	S	1/1981	Buss		
4,577,262	A *	3/1986	Buteaux	362/155
4,754,376	A	6/1988	Winslow		

6,182,462	B1	2/2001	Bania et al.		
6,519,965	B1	2/2003	Blanchard et al.		
6,966,450	B2 *	11/2005	Askew	220/529
6,997,007	B1	2/2006	Wyatt		
D560,102	S *	1/2008	Sumter	D7/605
7,722,204	B1	5/2010	Sandberg		
D634,982	S *	3/2011	Melchert et al.	D7/605
D652,262	S *	1/2012	Yang et al.	D7/605
8,210,702	B1	7/2012	Sandberg		
2006/0144077	A1 *	7/2006	Morris	62/459
2006/0279947	A1 *	12/2006	Henley et al.	362/154
2007/0217187	A1	9/2007	Blakely et al.		
2008/0245793	A1 *	10/2008	Hanson et al.	220/263
2010/0242520	A1	9/2010	Weir		
2013/0033854	A1	2/2013	Statham		
2013/0112694	A1 *	5/2013	Bentley	220/592.2

* cited by examiner

Primary Examiner — Terry Wallace

(57) **CLAIM**

I claim the ornamental design for the insulated cooler having LED lights, as shown and described.

DESCRIPTION

FIG. 1 is a front view of the insulated cooler having LED lights.

FIG. 2 is a rear view of the claimed design.

FIG. 3 is a left side view of the claimed design.

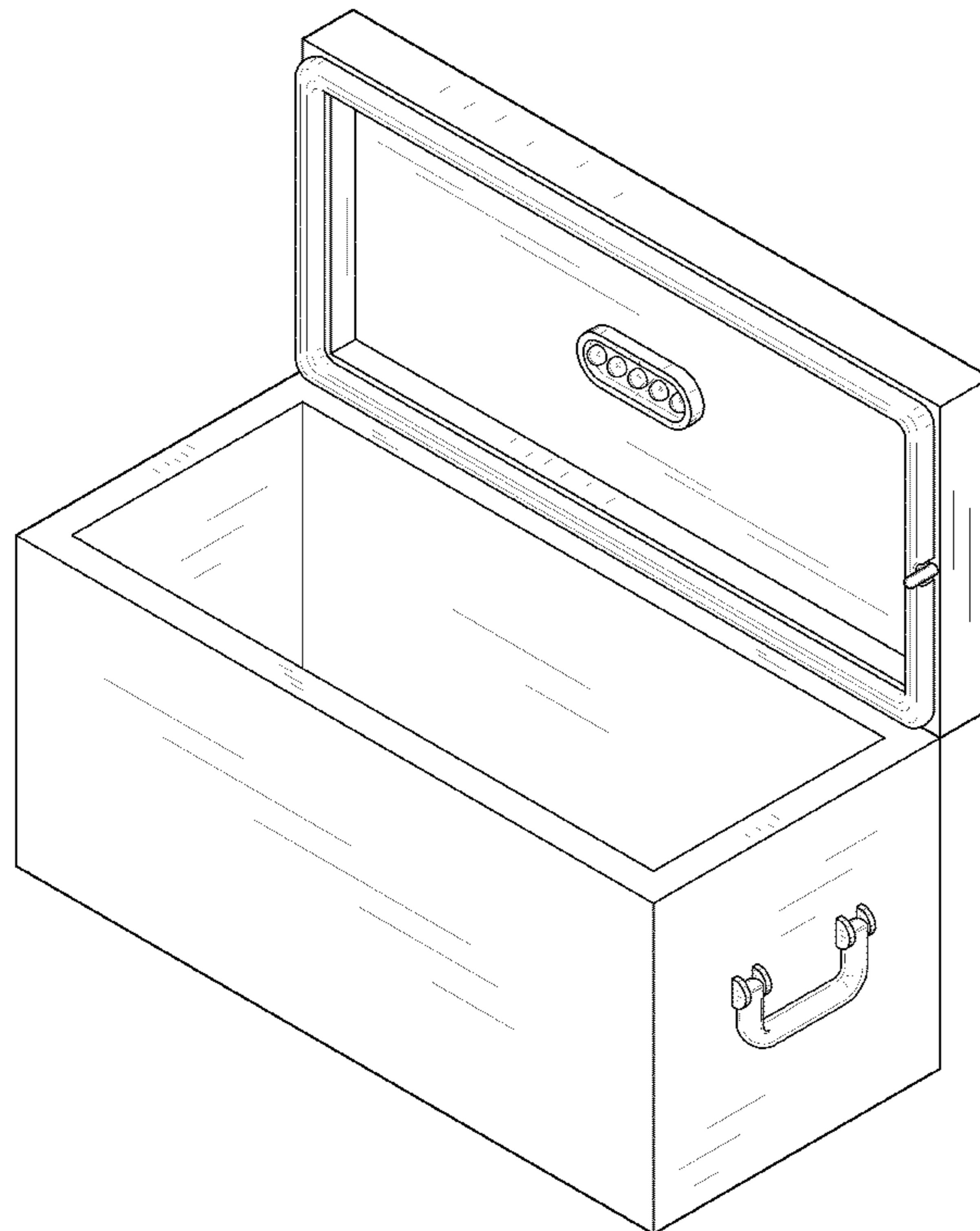
FIG. 4 is a right side view of the claimed design.

FIG. 5 is a top view of the claimed design.

FIG. 6 is a bottom view of the claimed design; and,

FIG. 7 is a perspective view of the claimed design.

1 Claim, 6 Drawing Sheets



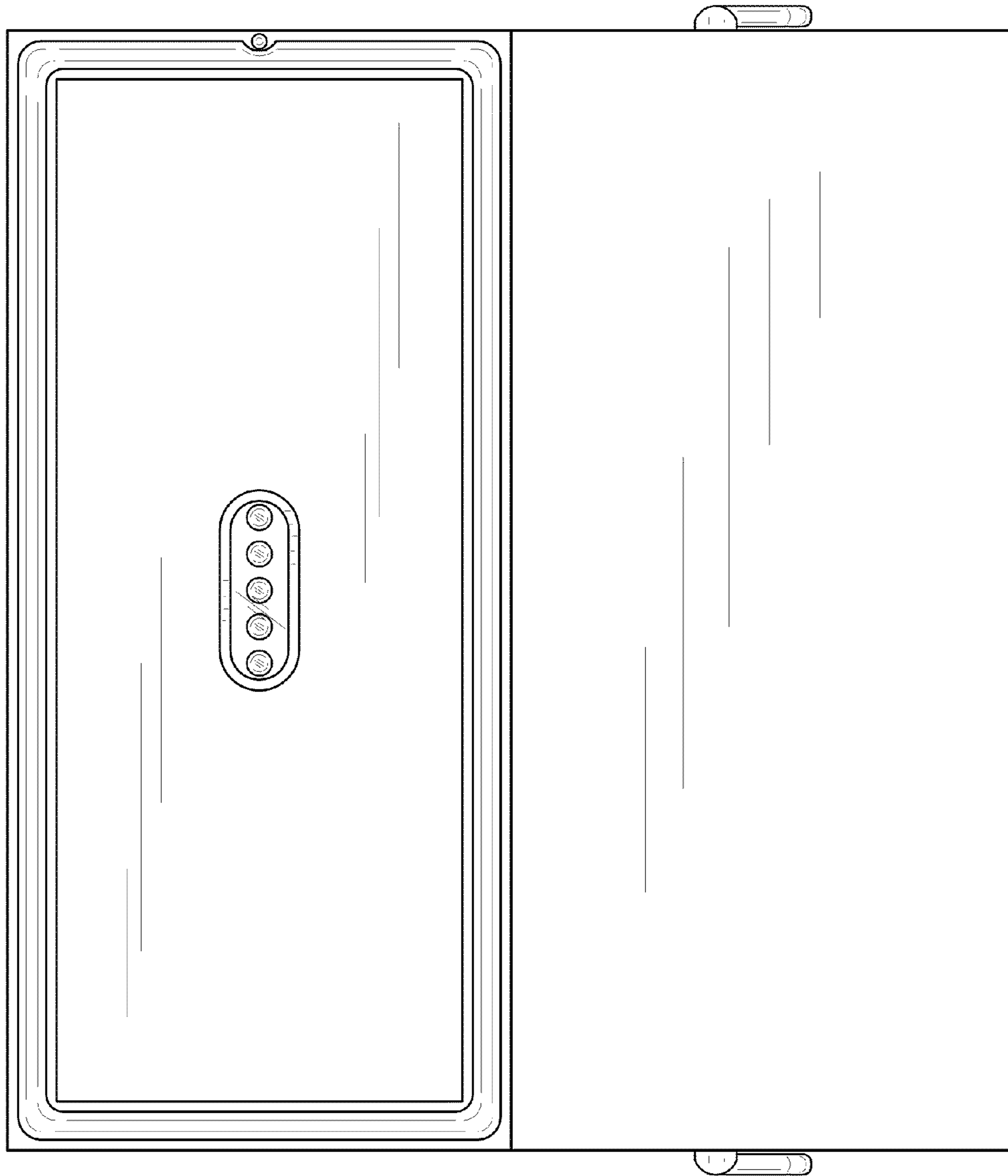


FIG. 1

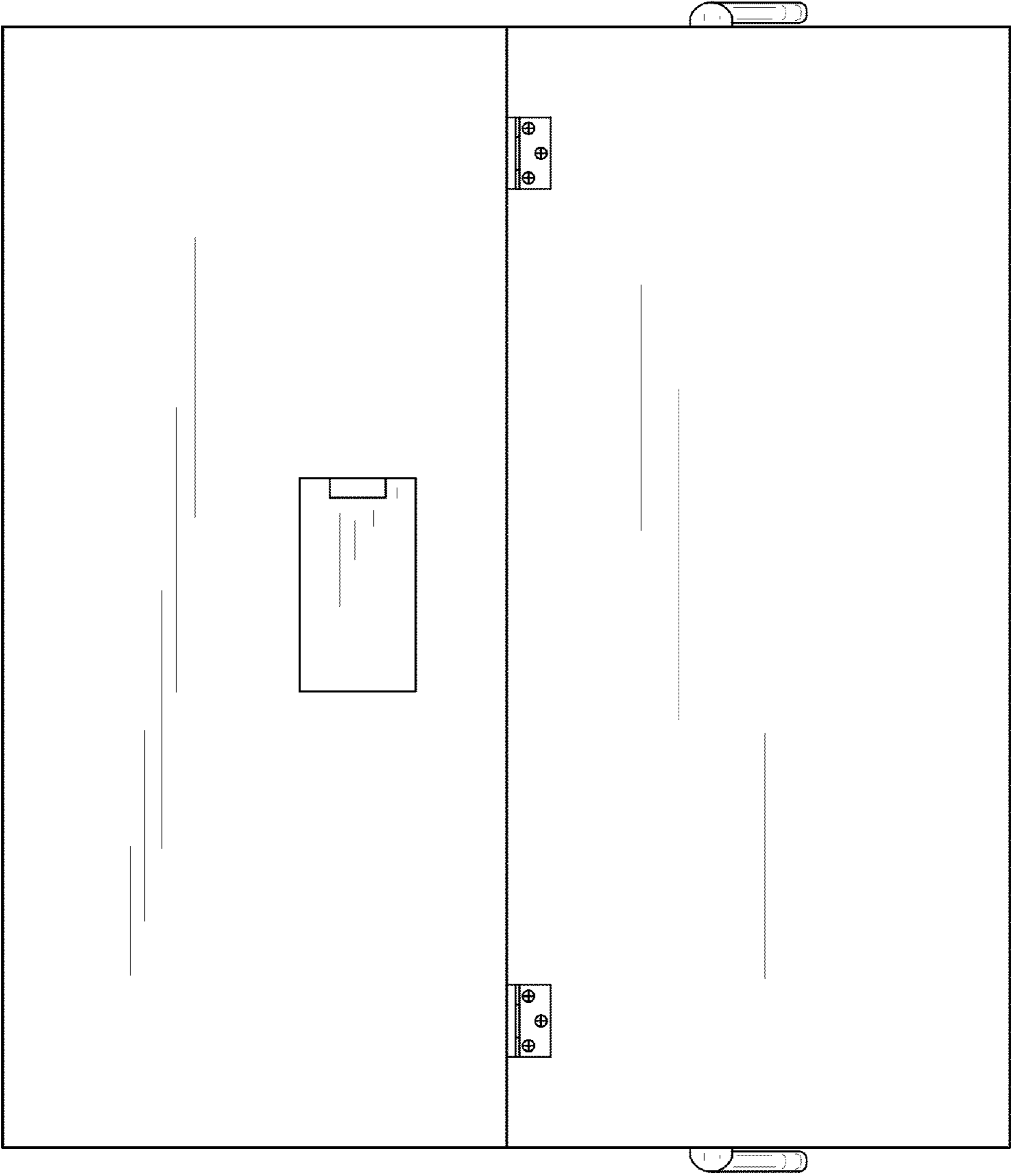


FIG. 2

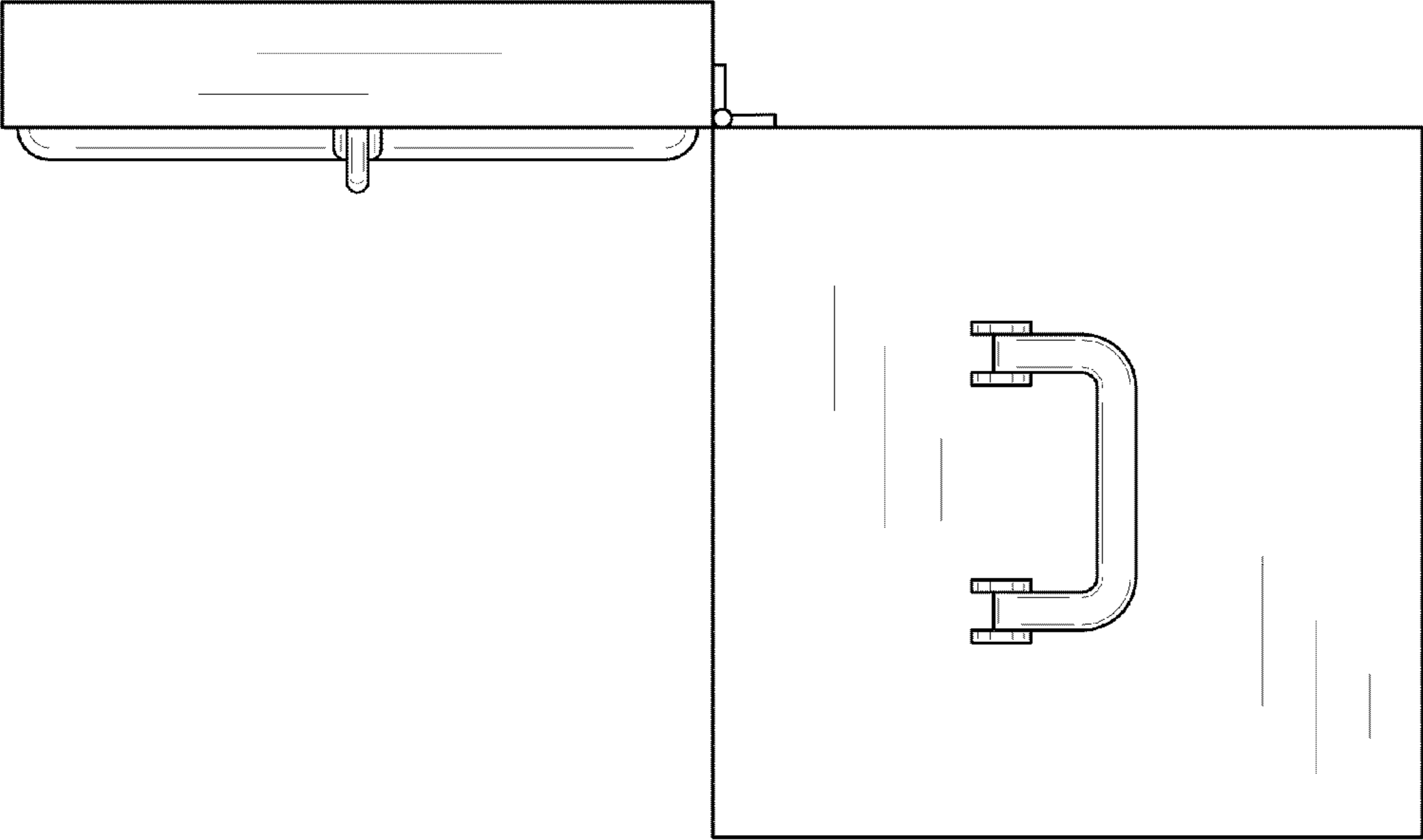


FIG. 4

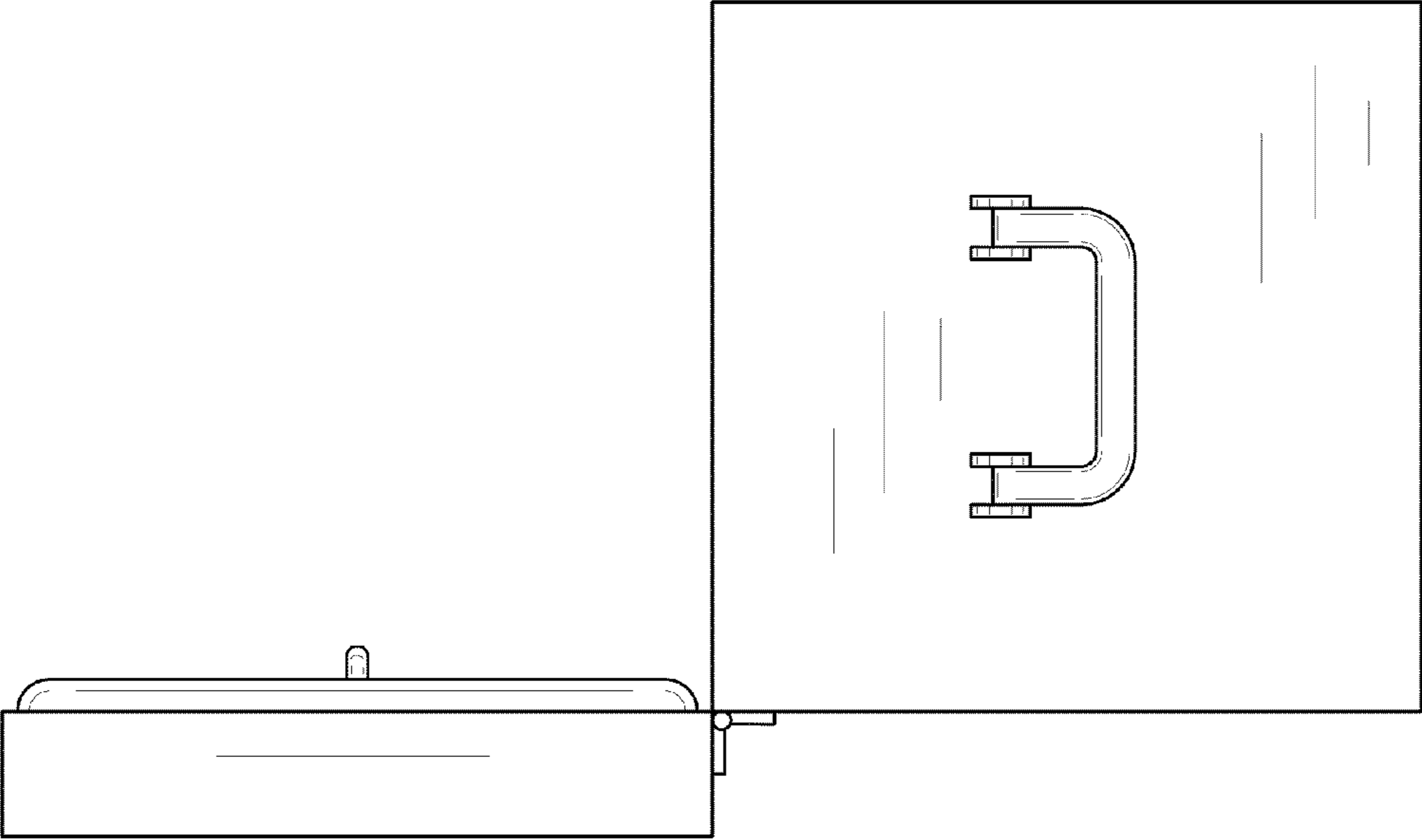


FIG. 3

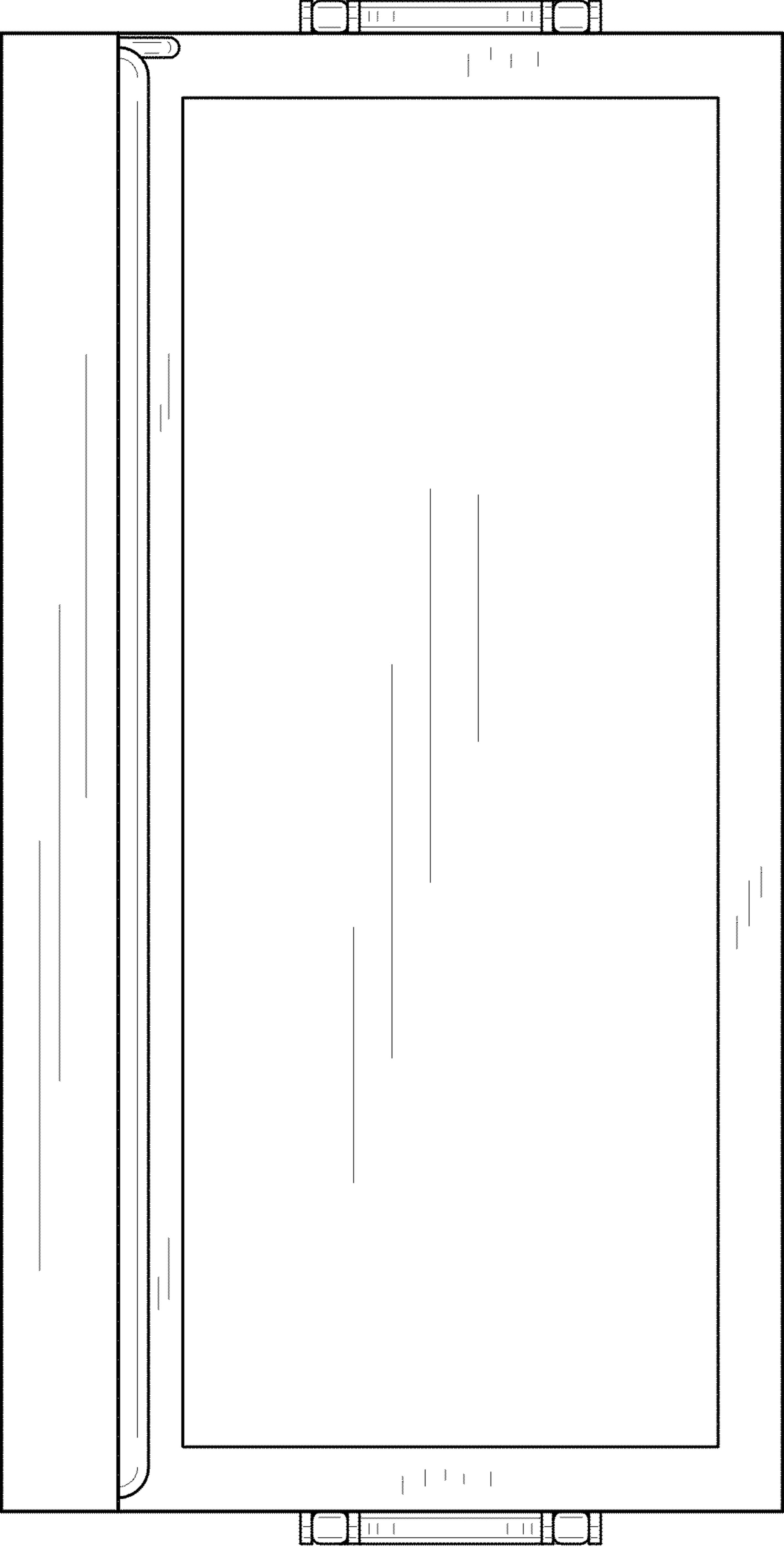


FIG. 5

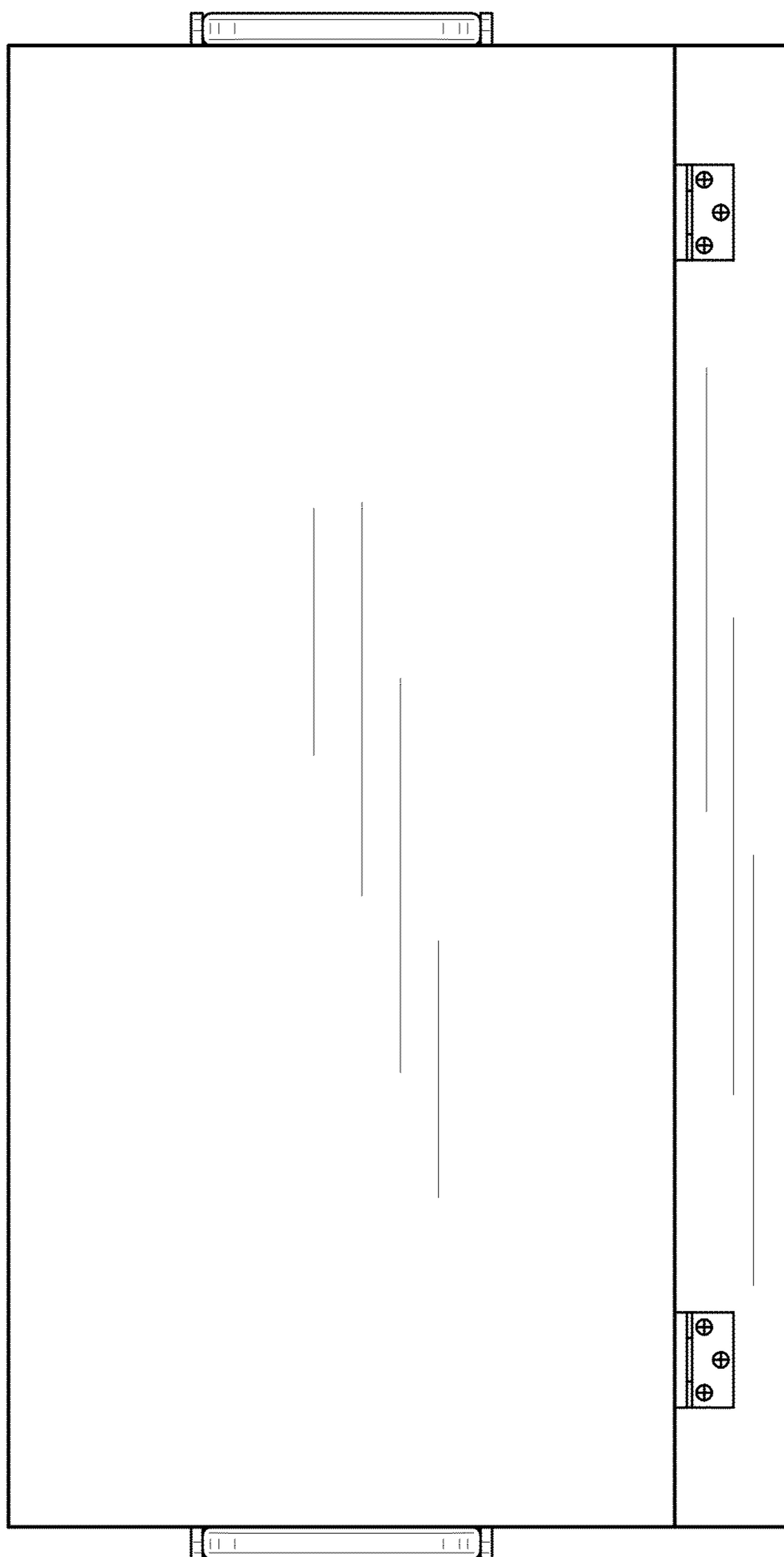


FIG. 6

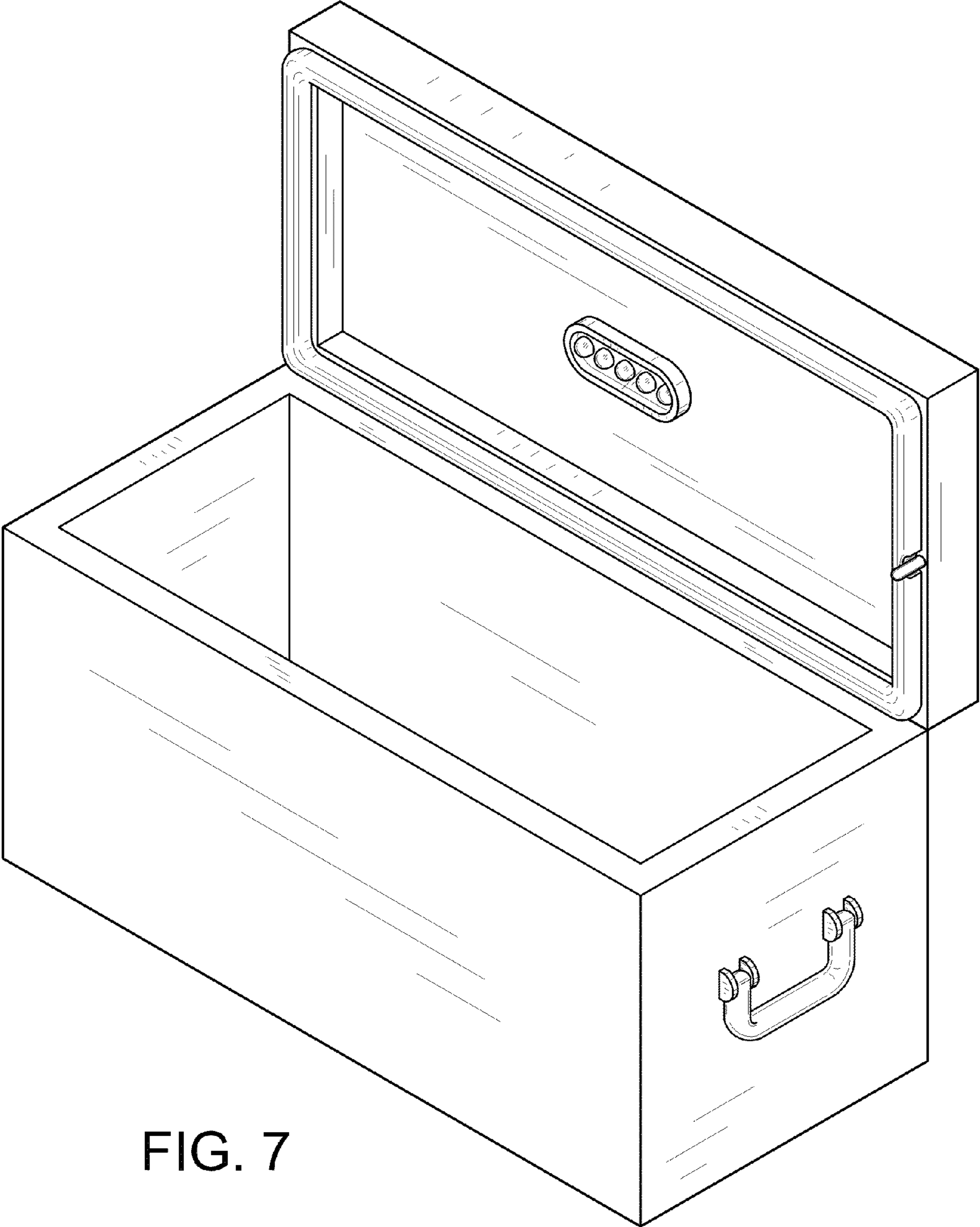


FIG. 7