



US00D744785S

(12) **United States Design Patent**  
**Mahiques**

(10) **Patent No.:** **US D744,785 S**

(45) **Date of Patent:** **\*\* Dec. 8, 2015**

(54) **PEPPER POT**

(71) Applicant: **CASA VIGAR, S.L.**, Gato de Gorgos (ES)

(72) Inventor: **Vicente Garcia Mahiques**, Gato de Gorgos (ES)

(73) Assignee: **CASA VIGAR, S.L.**, Gata de Gorgos (Alicante) (ES)

(\*\*) Term: **14 Years**

(21) Appl. No.: **29/488,333**

(22) Filed: **Apr. 17, 2014**

(51) **LOC (10) Cl.** ..... **07-06**

(52) **U.S. Cl.**  
USPC ..... **D7/594**

(58) **Field of Classification Search**  
USPC ..... D7/590-599, 628; D9/614, 621, 622;  
D11/160; D21/576, 621, 645, 648;  
241/168, 169, 169.1  
CPC ..... B65D 47/243; A47J 43/25; A47J 42/34;  
A47J 42/04

See application file for complete search history.

(56) **References Cited**

U.S. PATENT DOCUMENTS

D165,893 S *	2/1952	Achard	.....	D9/622
D198,135 S *	5/1964	Segars	.....	D21/648
6,029,855 A *	2/2000	Adams	.....	B65D 47/243 222/525
D491,767 S *	6/2004	Kaposi	.....	D7/598
D582,215 S *	12/2008	Yang	.....	D7/598
D679,145 S *	4/2013	Wisniewski	.....	D7/594

\* cited by examiner

*Primary Examiner* — Terry Wallace

(74) *Attorney, Agent, or Firm* — Cisló & Thomas, LLP

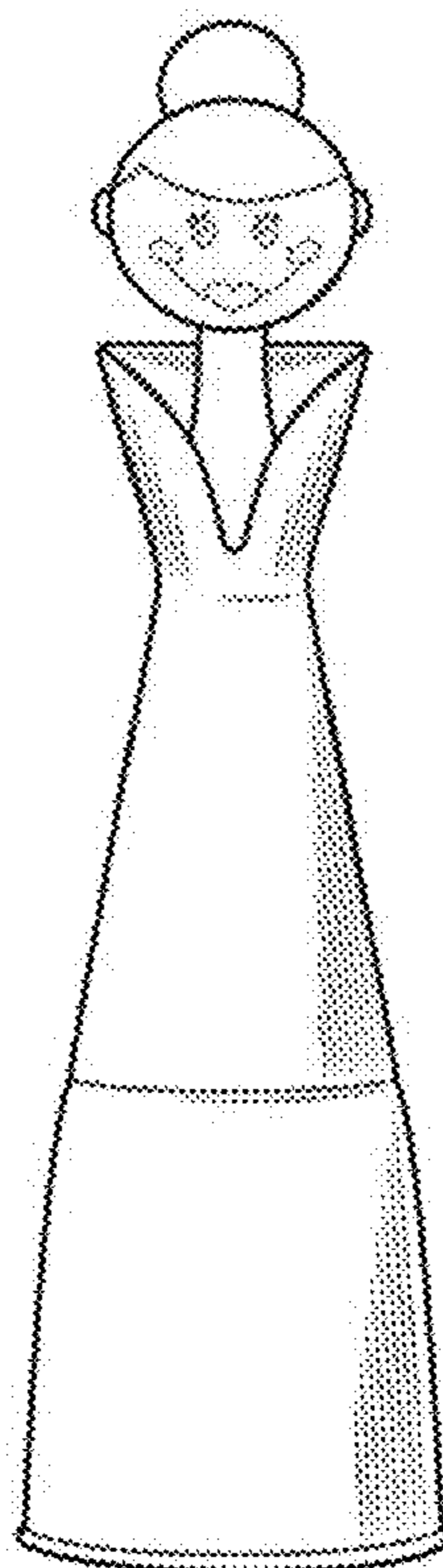
(57) **CLAIM**

The ornamental design for a pepper pot, as shown and described.

**DESCRIPTION**

FIG. 1 is a front view of a pepper pot in accordance with my new design;  
FIG. 2 is a right side view thereof; and,  
FIG. 3 is a rear view thereof.  
The broken lines shown in all of the figures are for environmental purposes and form no part of the claim.

**1 Claim, 1 Drawing Sheet**



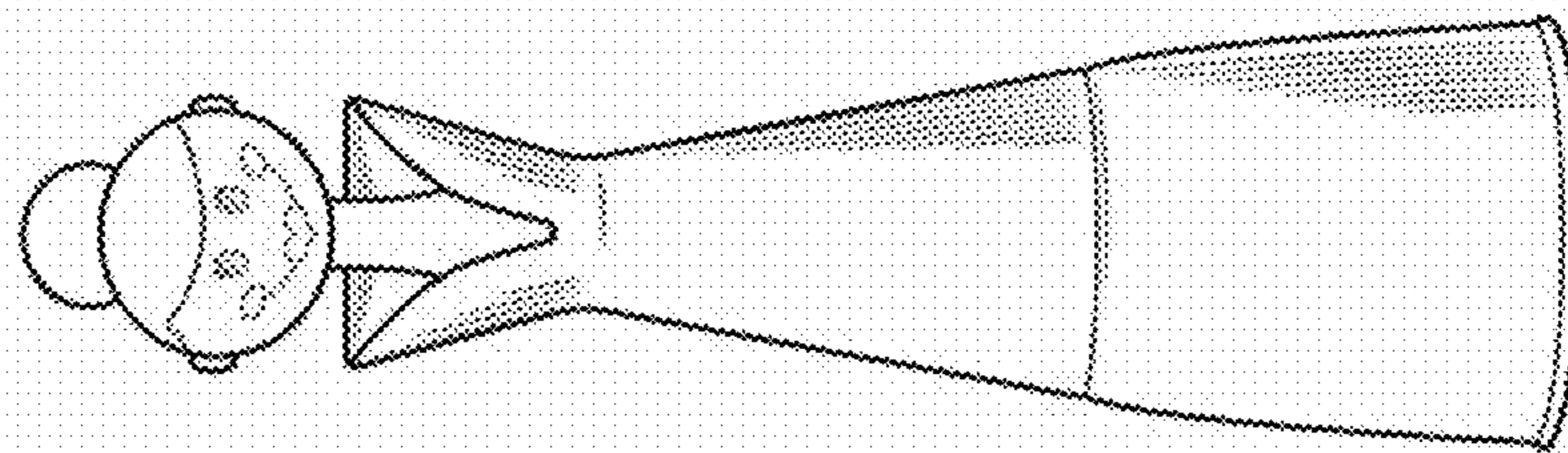


FIG. 1

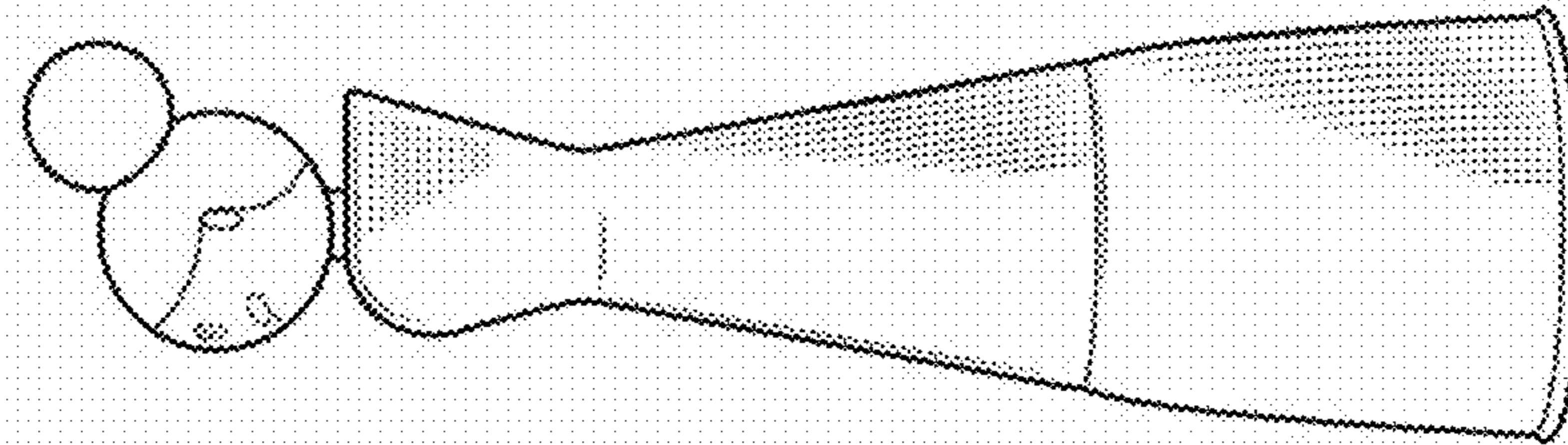


FIG. 2

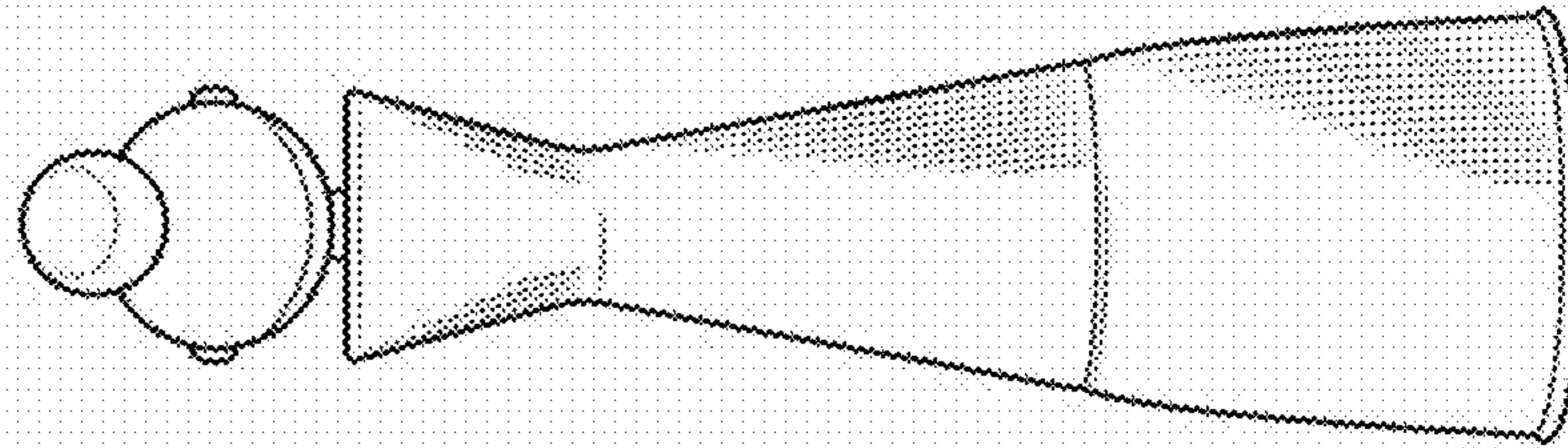


FIG. 3