



US00D744783S

(12) **United States Design Patent**
McClellan et al.

(10) **Patent No.:** **US D744,783 S**

(45) **Date of Patent:** **** Dec. 8, 2015**

(54) **PILSNER CONTAINER**

(75) Inventors: **Ruth McClellan**, Pittsfield, PA (US);
John Downey, Warren, PA (US)

(73) Assignee: **Whirley Industries, Inc.**, Warren, PA
(US)

(**) Term: **14 Years**

(21) Appl. No.: **29/415,775**

(22) Filed: **Mar. 14, 2012**

(51) **LOC (10) Cl.** **07-01**

(52) **U.S. Cl.**

USPC **D7/524; D7/507; D7/509; D7/523**

(58) **Field of Classification Search**

USPC **D7/505, 507, 509, 511, 523, 531, 537,**
D7/524; D11/146; 220/737, 630, 675;
215/377, 82.1; 206/520

CPC **A47G 19/2205; A47G 2019/2294;**
A47G 19/23

See application file for complete search history.

(56) **References Cited**

U.S. PATENT DOCUMENTS

2,905,351	A *	9/1959	Lerner	215/376
2,918,188	A *	12/1959	Todd	215/377
2,996,208	A *	8/1961	Schroeder	215/377
3,369,687	A *	2/1968	Walls	215/10
D214,933	S *	8/1969	Swett	D7/505
3,526,335	A *	9/1970	Swett et al.	220/630
D283,775	S *	5/1986	Campbell	D7/396.2
D283,866	S *	5/1986	Campbell	D7/524
D358,080	S *	5/1995	Handler	D7/509
D395,575	S *	6/1998	Zelle	D7/537
D454,757	S *	3/2002	Lack	D7/523

D539,610	S *	4/2007	Lapsker	D7/532
D543,785	S *	6/2007	Huff	D7/523
2004/0134918	A1 *	7/2004	Irwin	220/630

* cited by examiner

Primary Examiner — Ian Simmons

Assistant Examiner — Rashida C McCoy

(74) *Attorney, Agent, or Firm* — Buchanan Ingersoll & Rooney PC

(57) **CLAIM**

The ornamental design for a pilsner container, as shown and described.

DESCRIPTION

FIG. 1 shows a perspective view of a pilsner container of the invention, including both a base and the beverage holder in their combined orientation;

FIG. 2 shows a perspective view of a pilsner container of the invention, this time with the base and the holder separated;

FIG. 3 shows a side view of a pilsner container of the invention;

FIG. 4 shows a side view of a pilsner container of the invention, with the beverage holder and base separated;

FIG. 5 shows a top view of a pilsner container of the invention;

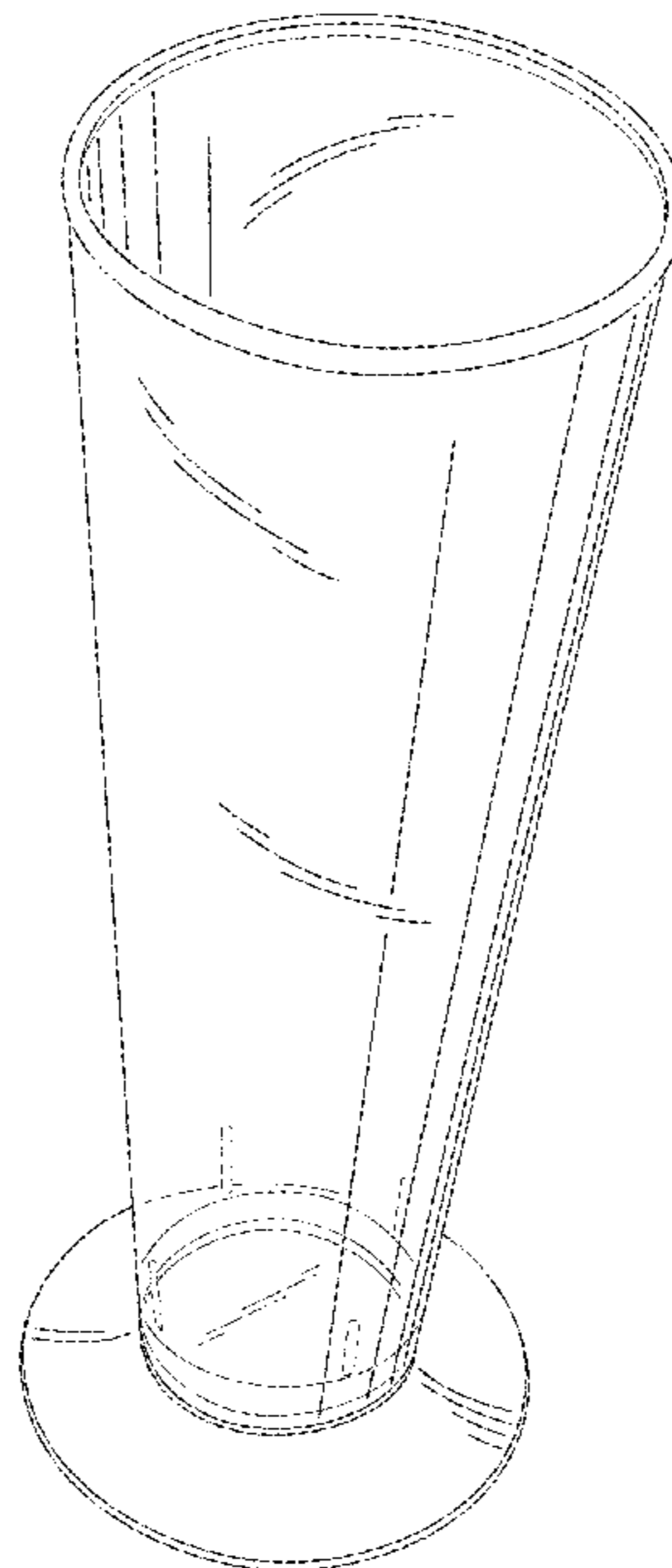
FIG. 6 shows a top view of the separated pilsner container components;

FIG. 7 shows a bottom view of the pilsner container of the invention; and,

FIG. 8 shows a bottom view of the separated pilsner container components.

The broken lines in the drawings represent unclaimed subject matter and form no part of the claimed design.

1 Claim, 6 Drawing Sheets



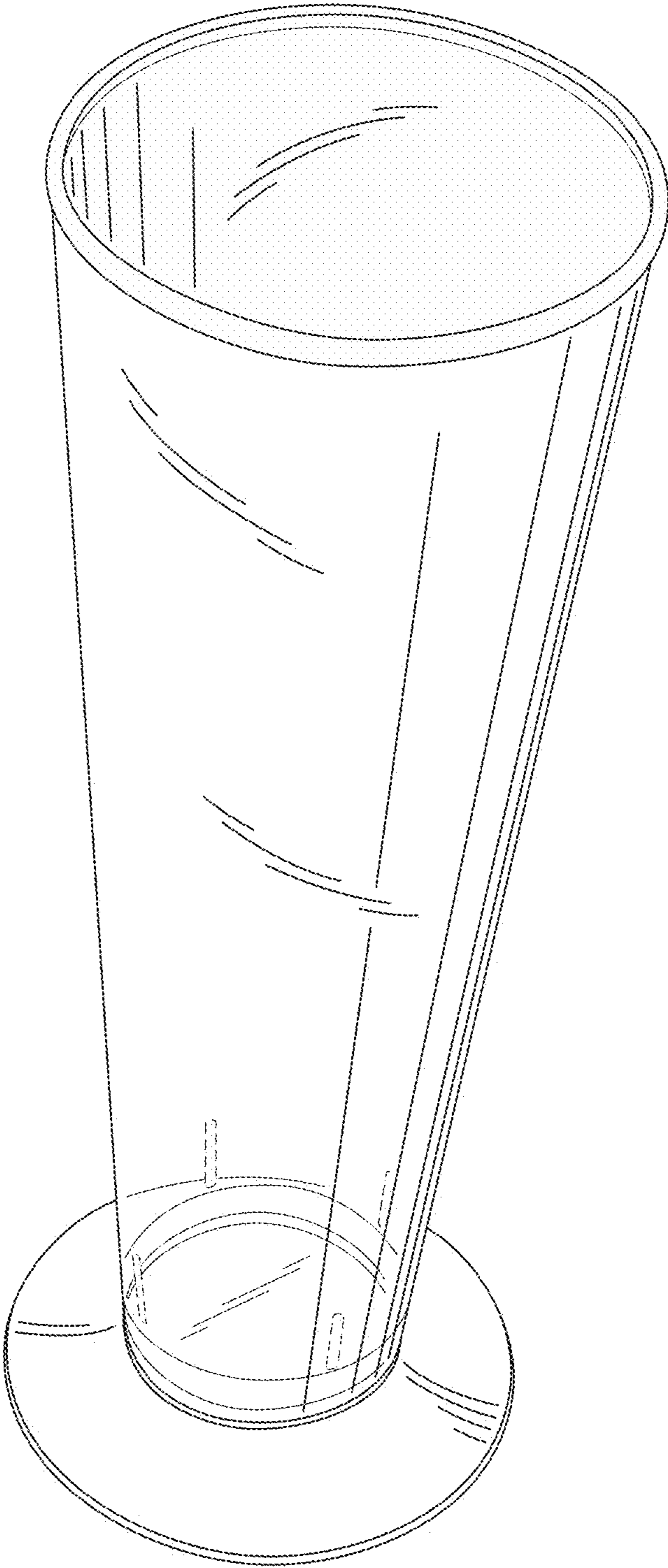


Fig. 1

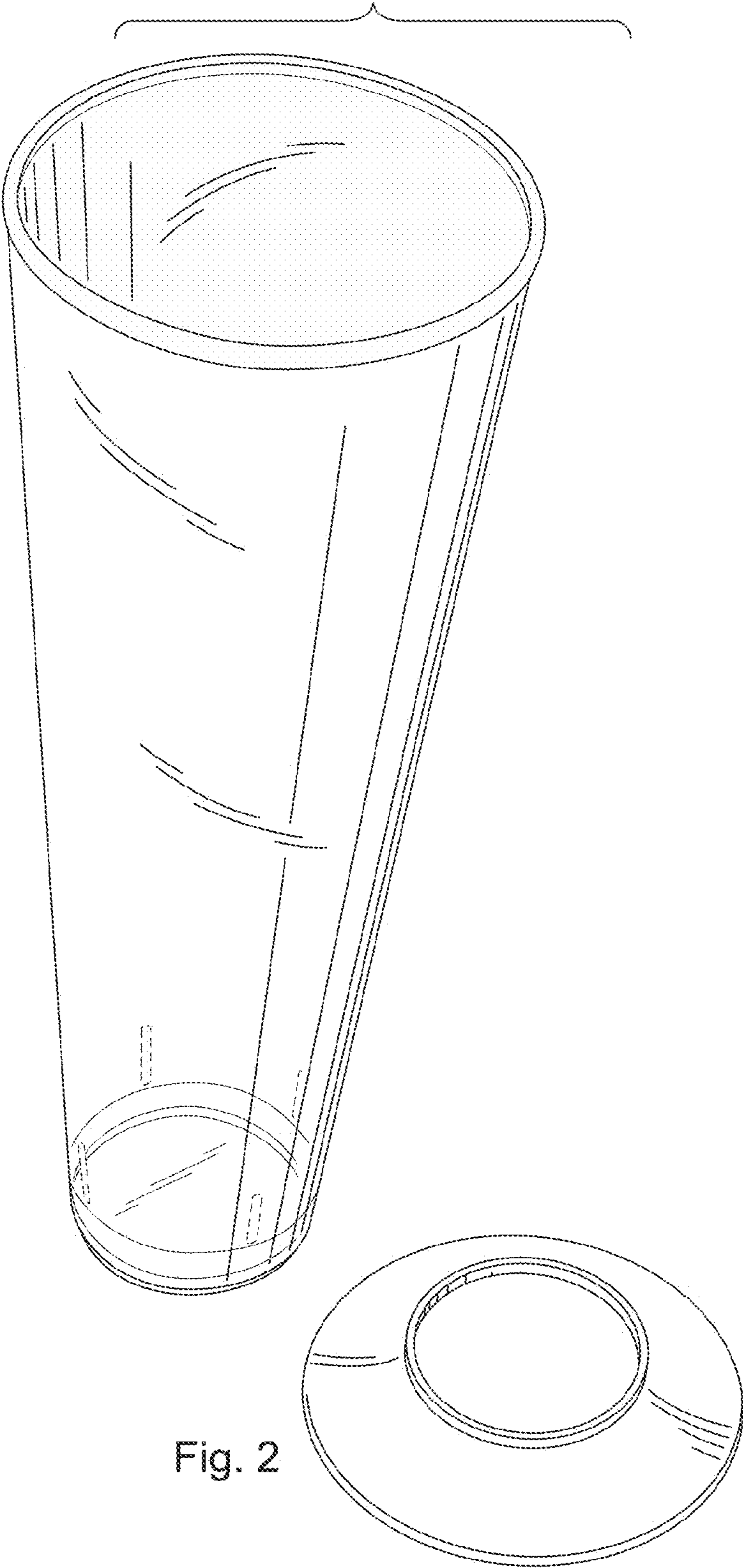


Fig. 2

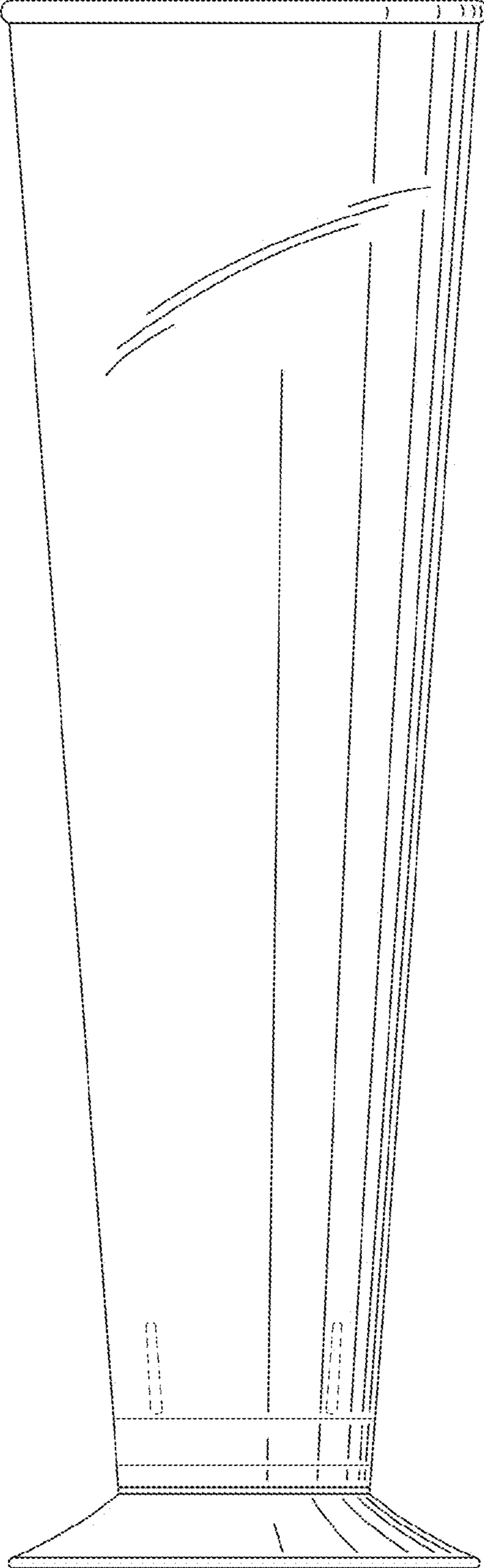


Fig. 3

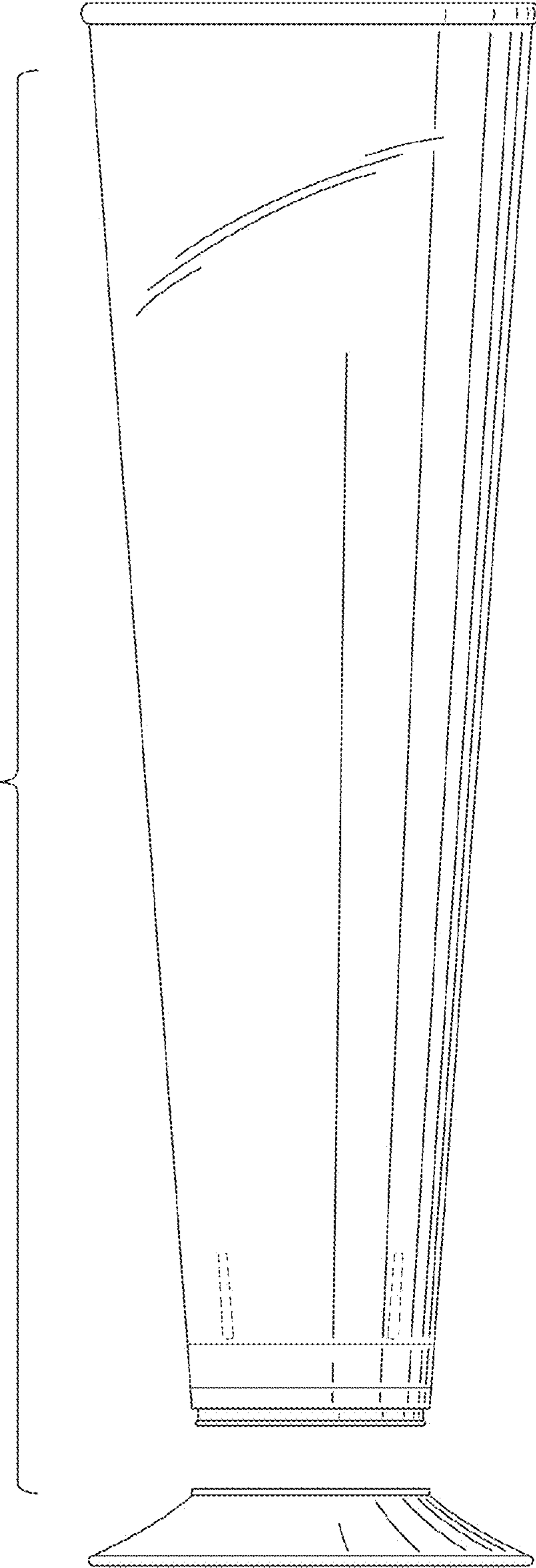


Fig. 4

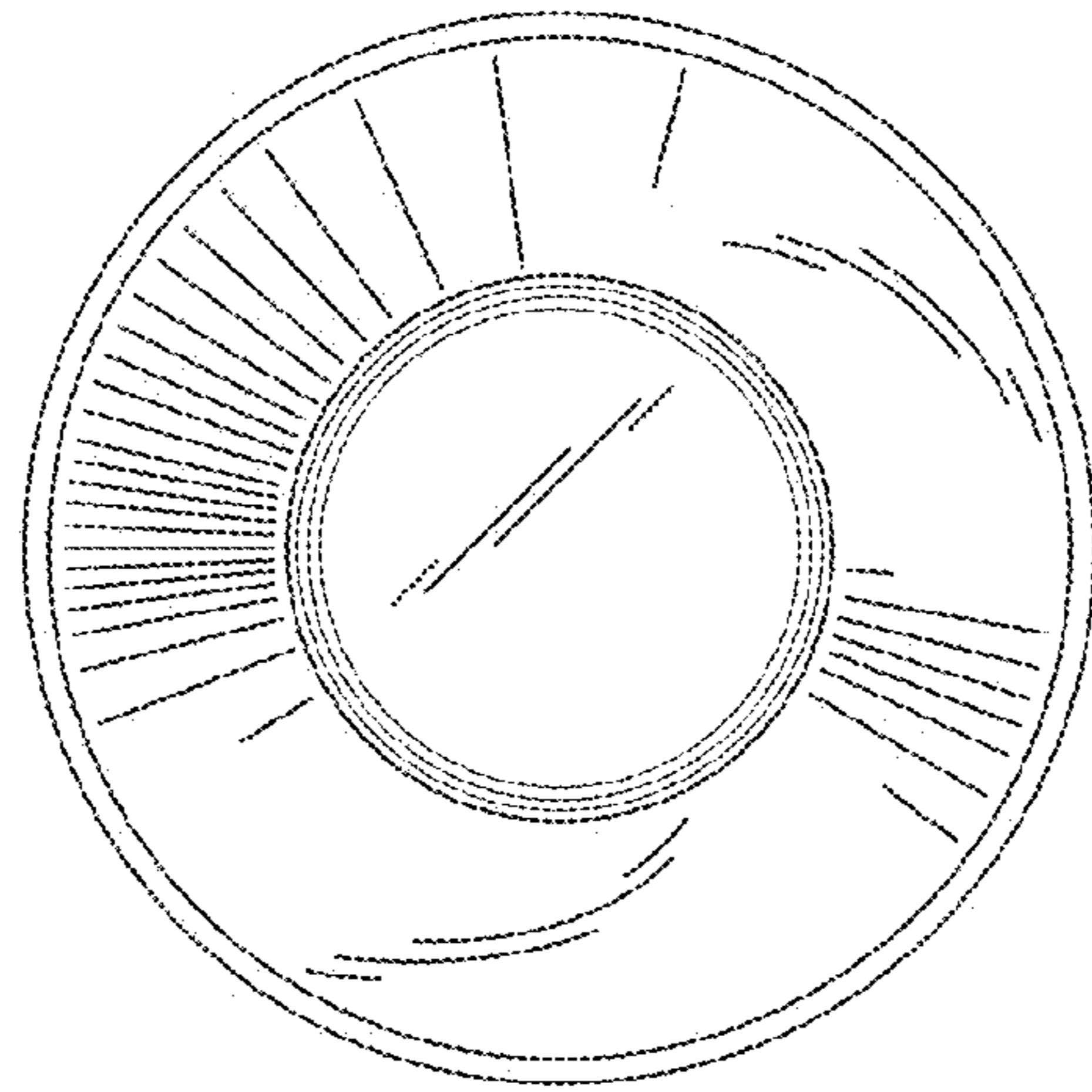


Fig. 5

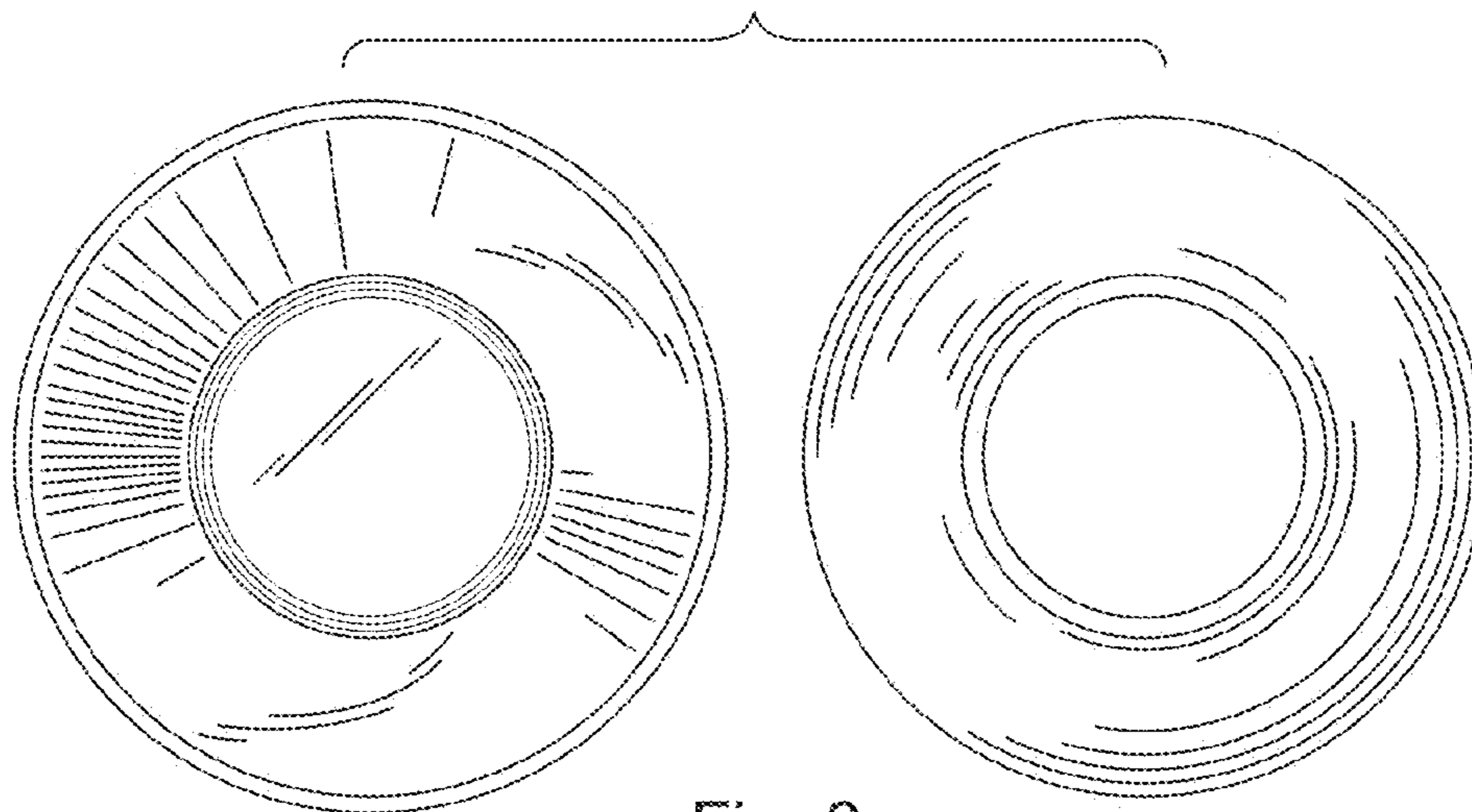


Fig. 6

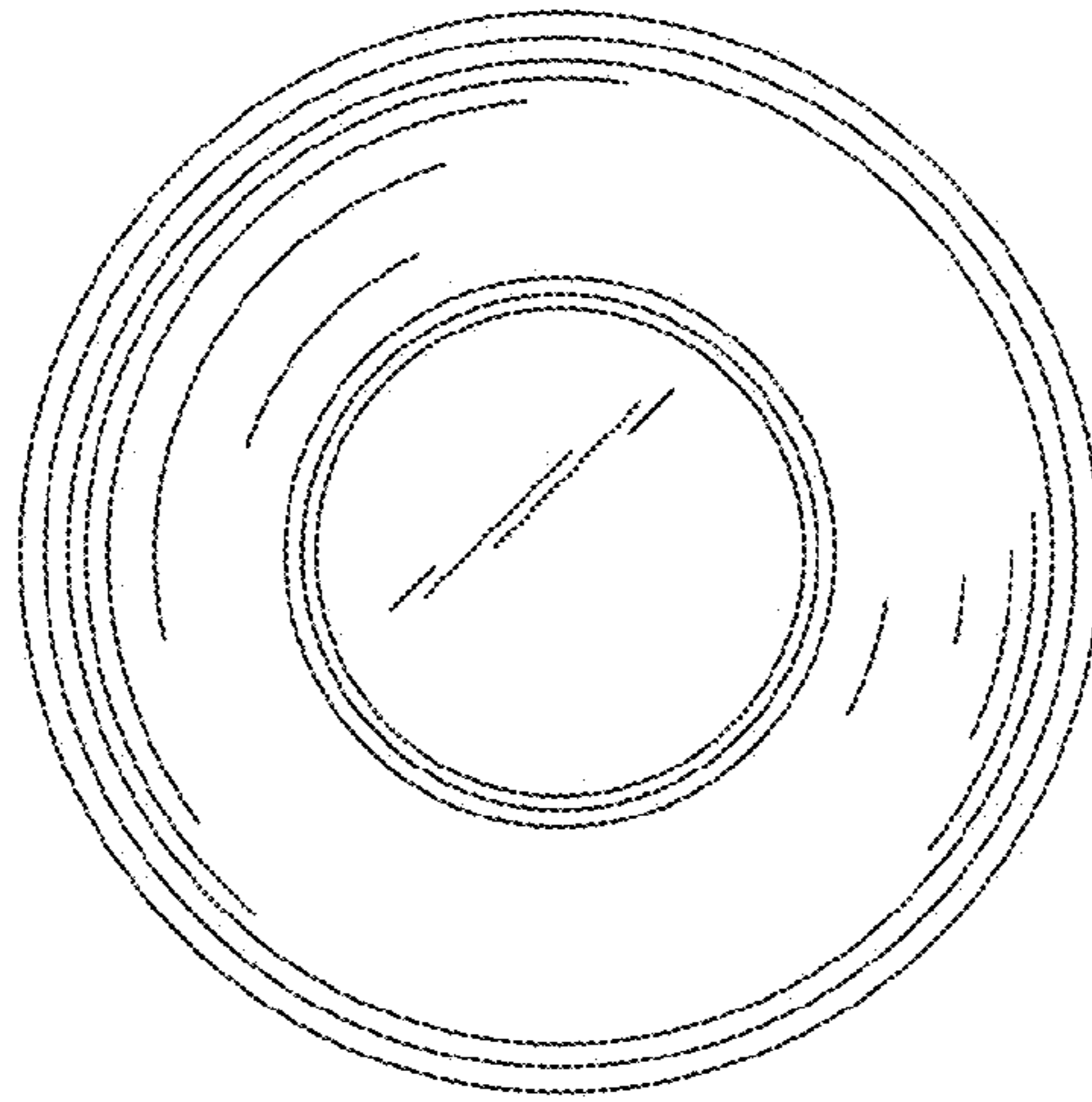


Fig. 7

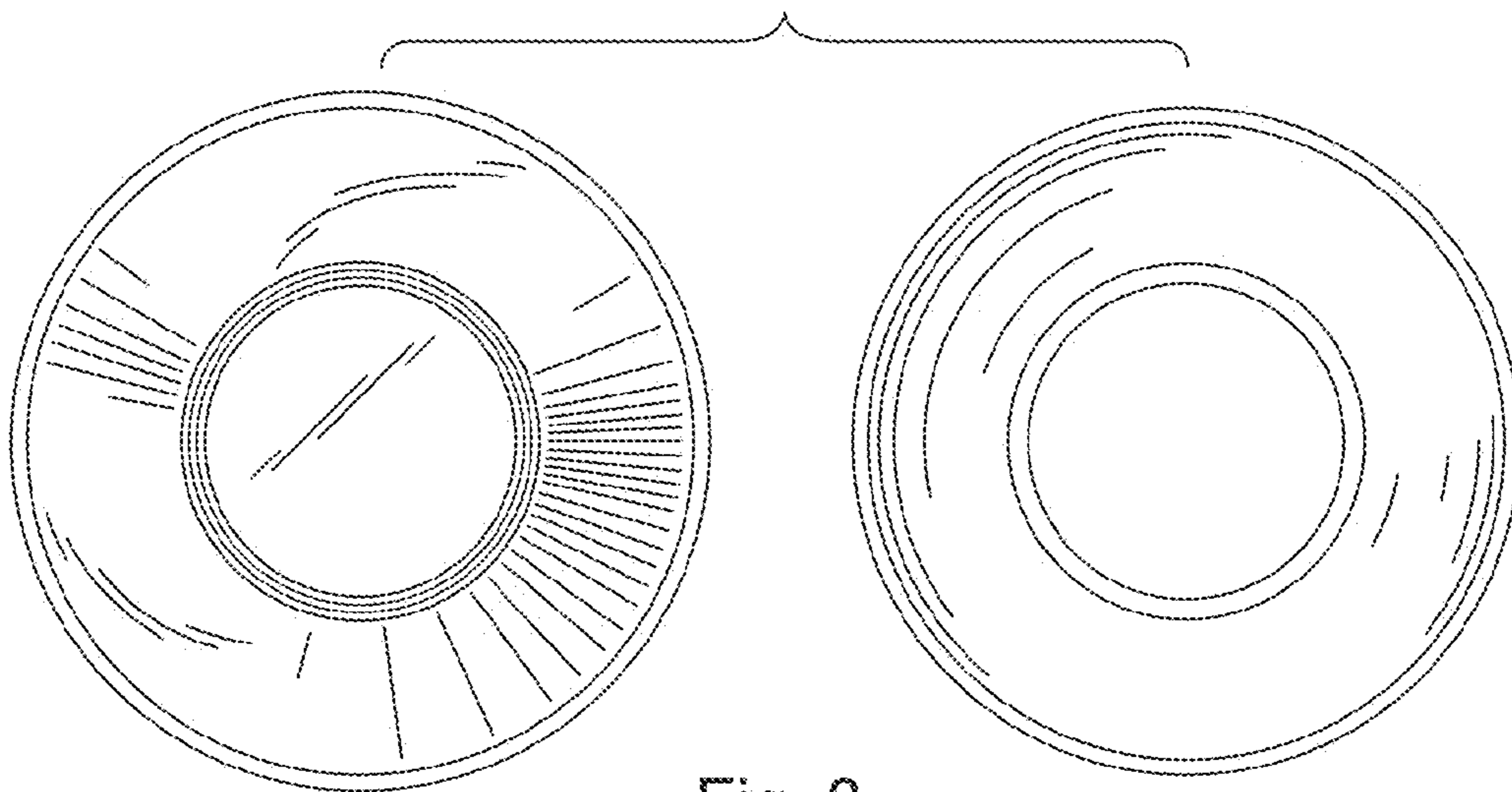


Fig. 8