



US00D744782S

(12) **United States Design Patent**  
**Reetz et al.**

(10) **Patent No.:** **US D744,782 S**  
(45) **Date of Patent:** **\*\* Dec. 8, 2015**

(54) **BEVERAGE MUG**

(71) Applicant: **TARGET BRANDS, INC.**,  
Minneapolis, MN (US)

(72) Inventors: **Paul D. Reetz**, Burnsville, MN (US);  
**Anna Maria Bofinger**, Shoreview, MN  
(US)

(73) Assignee: **Target Brands, Inc.**, Minneapolis, MN  
(US)

(\*\*) Term: **14 Years**

(21) Appl. No.: **29/511,678**

(22) Filed: **Dec. 12, 2014**

**Related U.S. Application Data**

(62) Division of application No. 29/465,235, filed on Aug.  
26, 2013, now Pat. No. Des. 721,923.

(51) **LOC (10) Cl.** ..... **07-01**

(52) **U.S. Cl.**  
USPC ..... **D7/515; D2/911**

(58) **Field of Classification Search**  
USPC ..... D7/606, 624, 514, 515, 509, 507;  
D2/970, 910, 911; 220/571, 713, 703;  
D9/631, 617; 215/392, 393; D11/129  
See application file for complete search history.

(56) **References Cited**

**U.S. PATENT DOCUMENTS**

437,907 A \* 10/1890 Saunders ..... A43B 3/02  
36/4  
1,655,652 A \* 1/1928 Kemper ..... A43B 3/02  
36/4  
D110,245 S \* 6/1938 Garry et al. .... D9/631  
2,302,392 A \* 11/1942 Risch ..... A23G 3/50  
206/457  
2,317,554 A \* 4/1943 Risch ..... B65D 45/32  
206/446  
D223,111 S 3/1972 Feuer  
3,657,757 A \* 4/1972 Vilder ..... A43B 3/04

12/146 C  
D254,233 S \* 2/1980 Dolan ..... D9/631  
D264,416 S 5/1982 Urda, Jr. et al.  
D264,417 S \* 5/1982 Urda, Jr. .... D7/515  
D265,416 S \* 7/1982 Jackson ..... D22/122  
D282,891 S \* 3/1986 Satterfield ..... D7/515  
D349,217 S \* 8/1994 Spencer ..... D7/606  
D370,114 S \* 5/1996 Vance ..... D2/910

(Continued)

**OTHER PUBLICATIONS**

“Christmas at Dixie—Dixie Stampede TN Plastic Boot Mug”,  
printed from www.ebay.com/itm/Christmas-At-Dixie-Dixie-Stampede-TN-Plastic-Boot-Mug-/350050499007, available at least as  
early as Jun. 11, 2013 (9 pages).

(Continued)

*Primary Examiner* — Marianne Pandozzi

(74) *Attorney, Agent, or Firm* — JoAnn M. Seaton; Griffiths  
& Seaton PLLC

(57) **CLAIM**

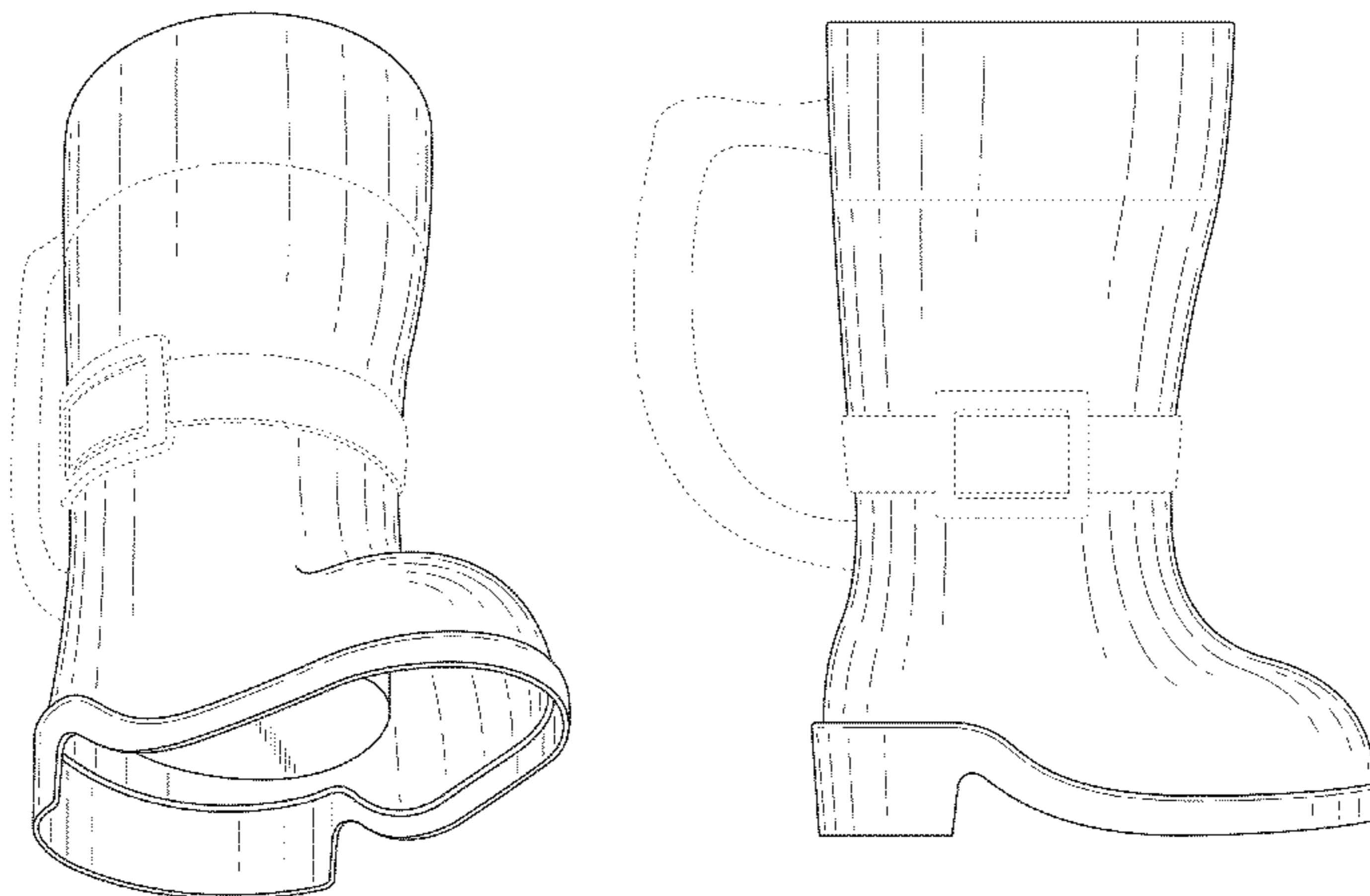
The ornamental design for a beverage mug, as shown and  
described.

**DESCRIPTION**

FIG. 1 is a top, front perspective view of a beverage mug  
showing our new design;  
FIG. 2 is a bottom, front perspective view thereof;  
FIG. 3 is a front view thereof;  
FIG. 4 is a rear view thereof;  
FIG. 5 is a right side view thereof;  
FIG. 6 is a left side view thereof;  
FIG. 7 is a top view thereof; and,  
FIG. 8 is a bottom view.

The features shown in broken lines are portions of the beverage  
mug forming no part of the claimed design.  
In other embodiments that differ from those currently  
claimed, features currently shown in solid lines may be converted  
to broken lines or otherwise disclaimed and/or broken  
line features may be converted to solid lines.

**1 Claim, 8 Drawing Sheets**



(56)

**References Cited**

U.S. PATENT DOCUMENTS

|          |     |         |                |         |
|----------|-----|---------|----------------|---------|
| D446,155 | S   | 8/2001  | Simpson        |         |
| D567,024 | S * | 4/2008  | Yeh .....      | D7/514  |
| D635,346 | S   | 4/2011  | Lonigan        |         |
| D636,984 | S   | 5/2011  | Lonigan        |         |
| D647,370 | S * | 10/2011 | van Dijk ..... | D11/150 |
| D655,572 | S * | 3/2012  | Evans .....    | D7/507  |
| D677,988 | S * | 3/2013  | Eubank .....   | D2/910  |
| D707,435 | S * | 6/2014  | Ng .....       | D2/911  |
| D721,923 | S * | 2/2015  | Reetz .....    | D2/911  |

OTHER PUBLICATIONS

“Junior Firefighter Boot Mug”, printed from [www.emtcatalog.com/product\\_info.php?products\\_id=1137](http://www.emtcatalog.com/product_info.php?products_id=1137), available at least as early as Jun. 11, 2013 (2 pages).

“Leprechaun Body Feet Handpainted Ceramic Coffee Mug Cup”, printed from [www.popscreen.com/p/MTMyNDk2ODQ4/Leprechaun-Body-Feet-Handpainted-Ceramic-Coffee-Mug-Cup-eBay](http://www.popscreen.com/p/MTMyNDk2ODQ4/Leprechaun-Body-Feet-Handpainted-Ceramic-Coffee-Mug-Cup-eBay), available at least as early as Jul. 2, 2013 (2 pages).

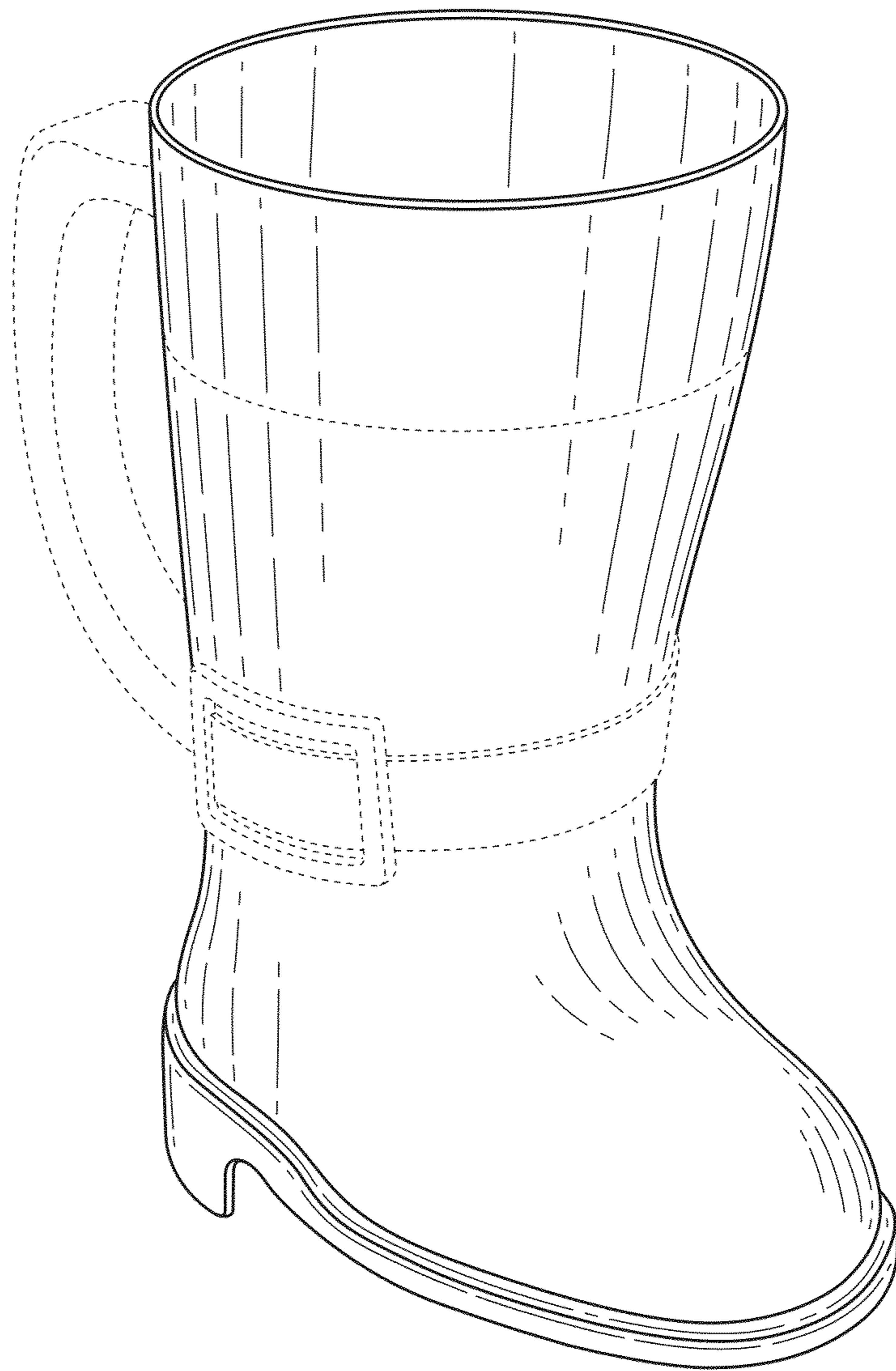
“Santa’s Boot Mug”, printed from [www.personal.psu.edu/rlt5047/Pattyspoolpals.htm](http://www.personal.psu.edu/rlt5047/Pattyspoolpals.htm), available at least as early as Jun. 11, 2013 (2 pages).

“Plastic Boots Mugs”, printed from <http://sell.lulusoso.com/selling-leads/1595634/plastic-boots-mugs.html>, available at least as early as Jun. 11, 2013 (5 pages).

“Red Christmas Boot Cup with Santa Claus Spoon”, printed from [www.modes4u.com/en/kawaii/p10849\\_red-Christmas-boot-cup-with-Santa-Claus-spoon.html](http://www.modes4u.com/en/kawaii/p10849_red-Christmas-boot-cup-with-Santa-Claus-spoon.html), available at least as early as Jun. 11, 2013 (9 pages).

Office Action from Canadian Patent Application No. 153,351, mailed May 30, 2014 (2 pages).

\* cited by examiner



**FIG. 1**

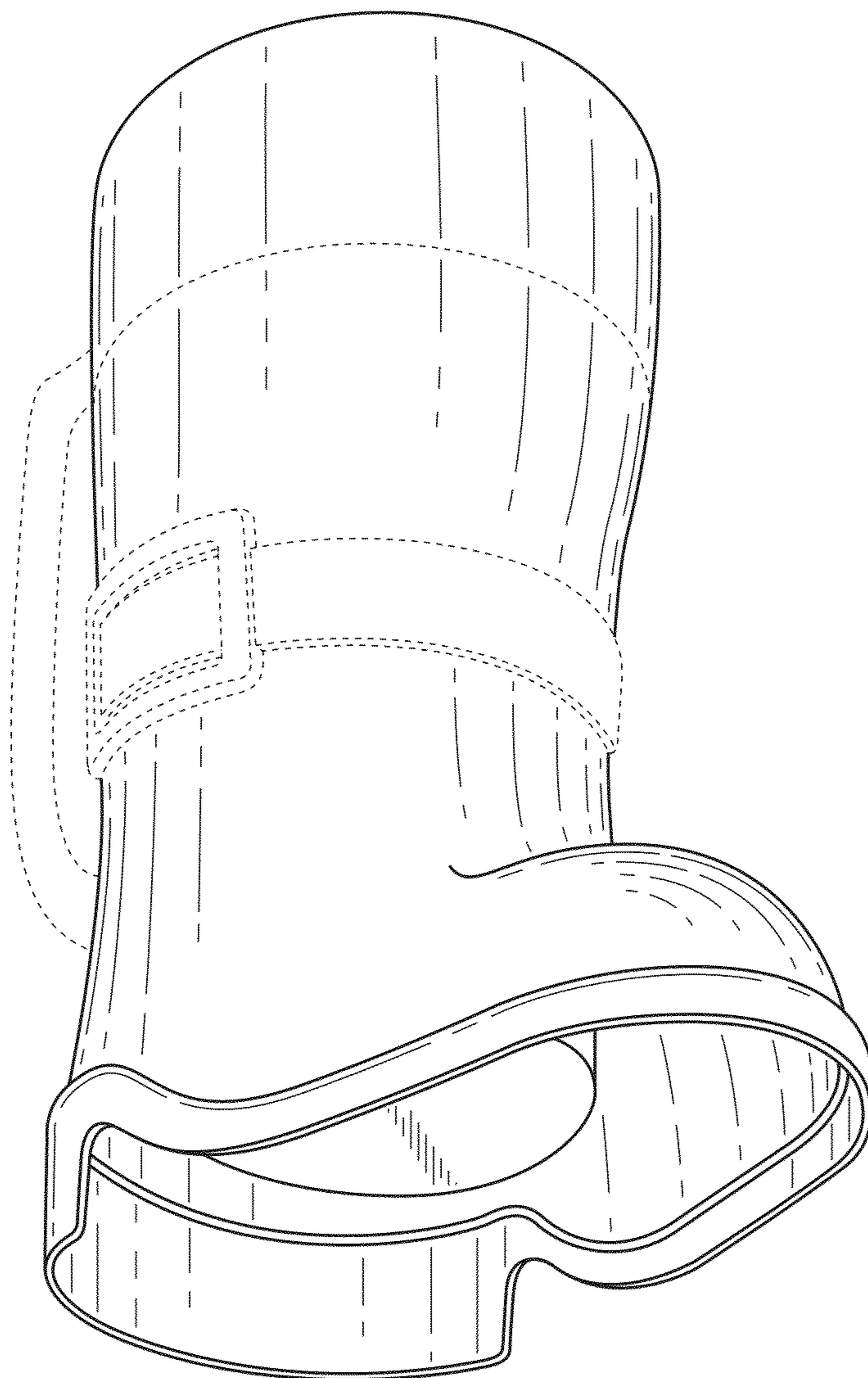


FIG. 2



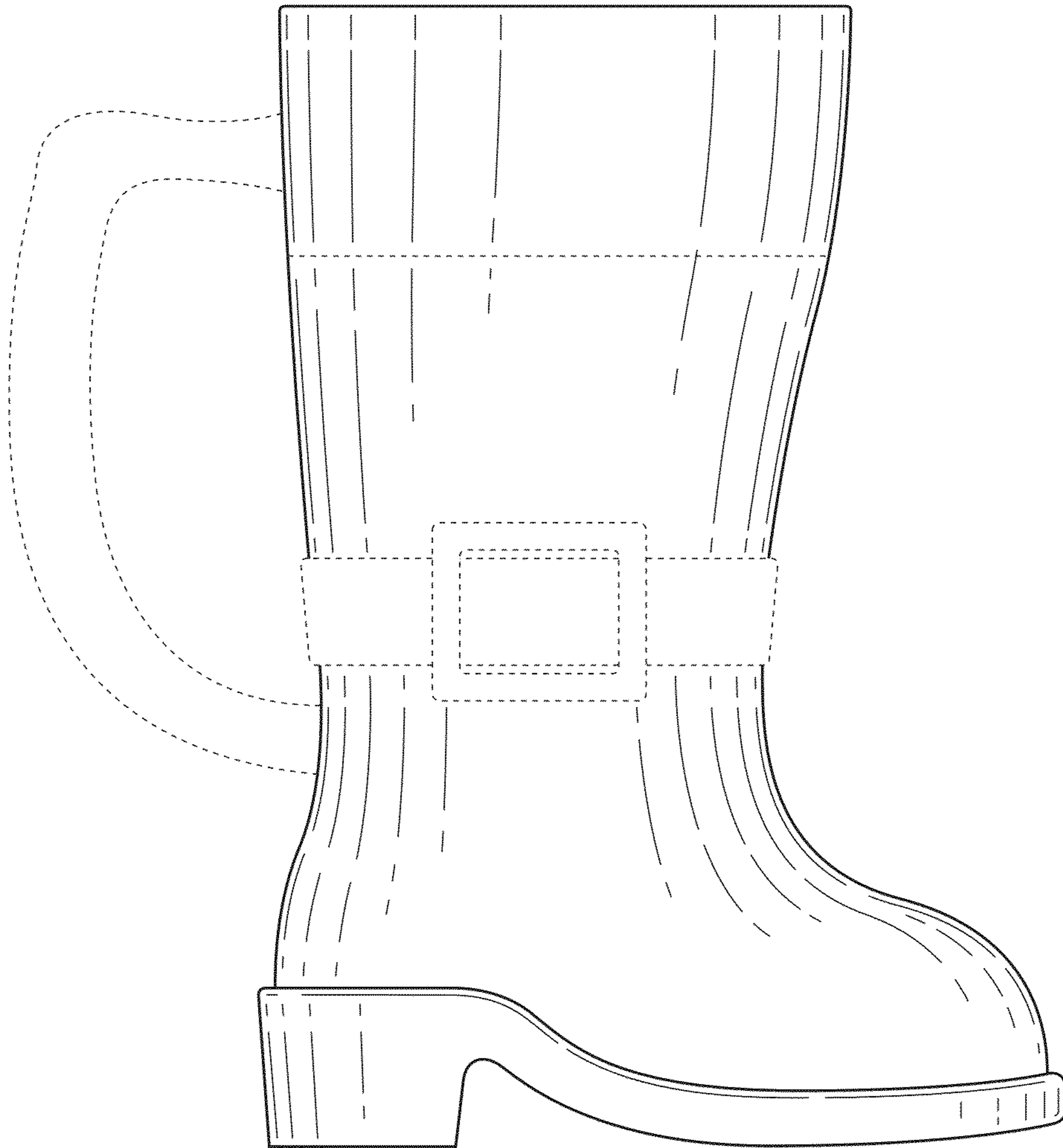


FIG. 3

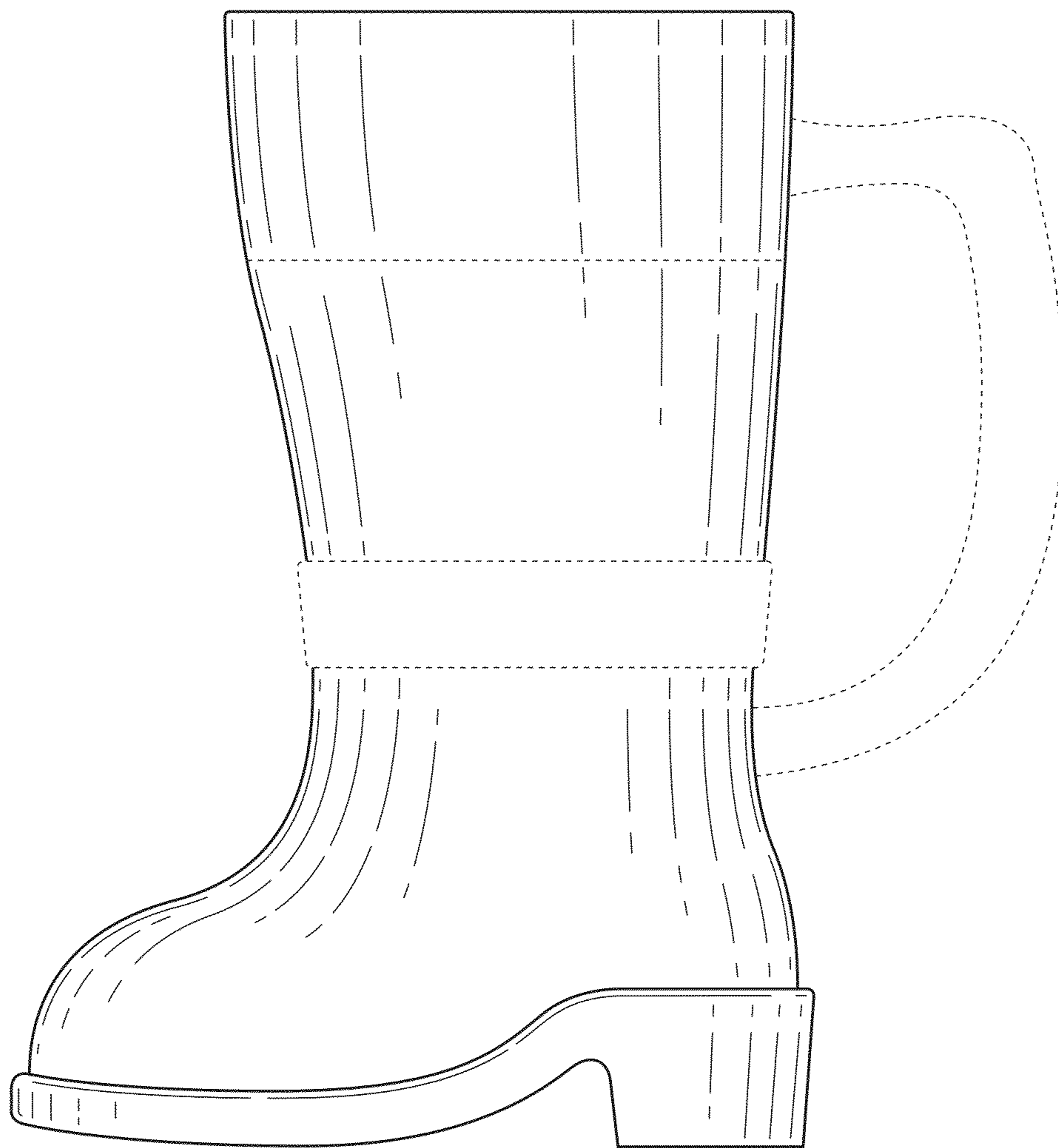


FIG. 4

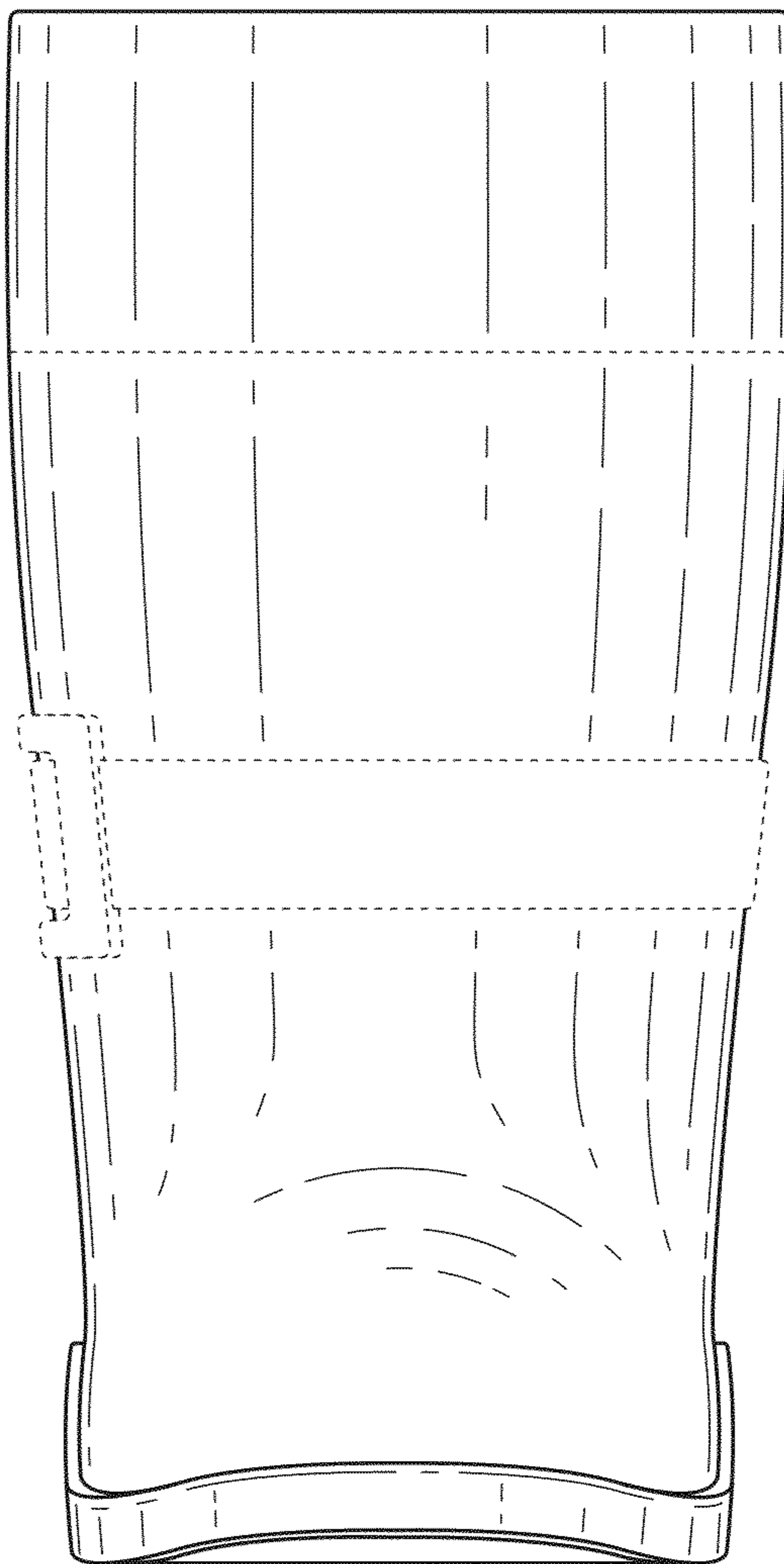


FIG. 5

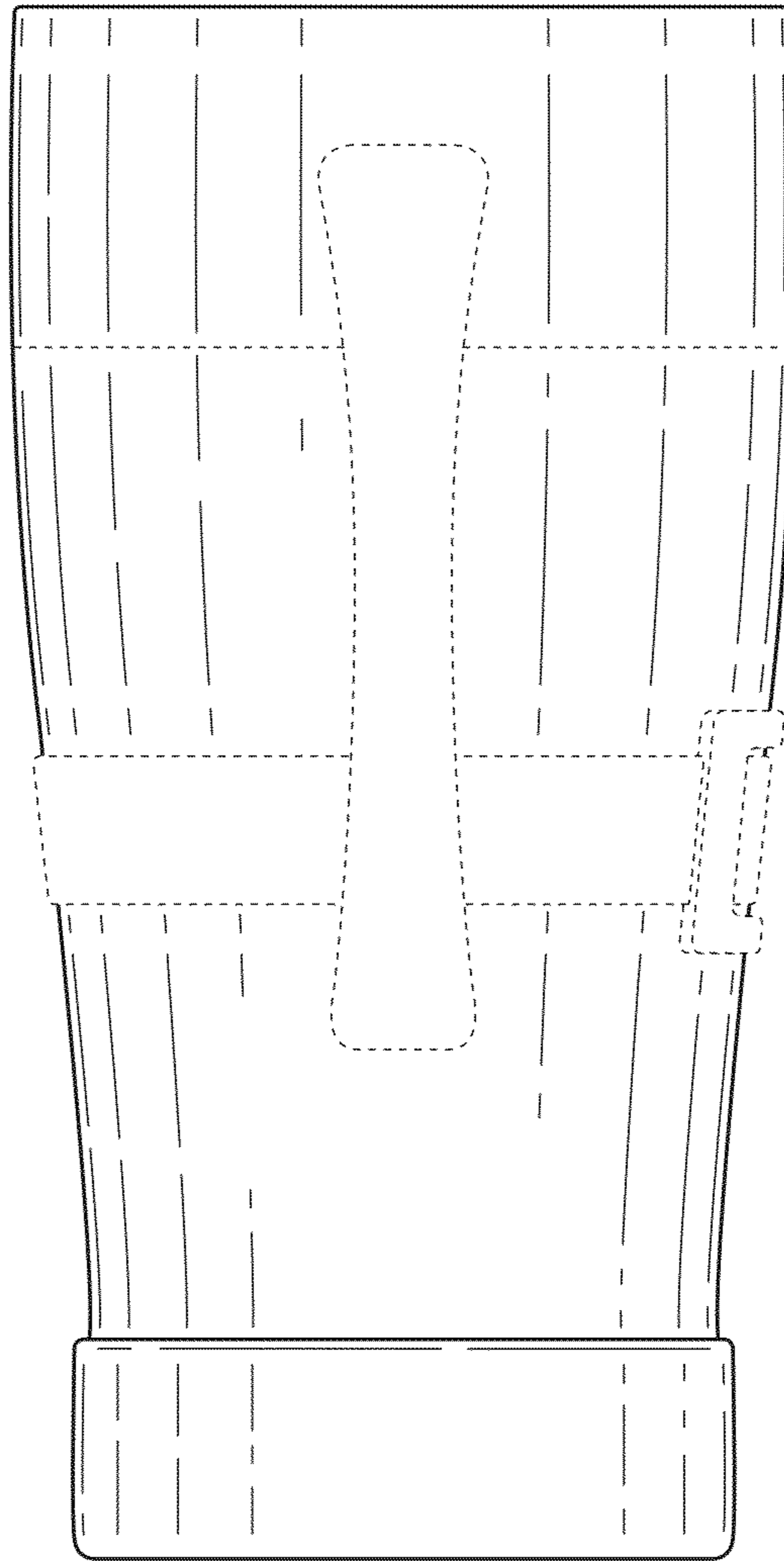


FIG. 6



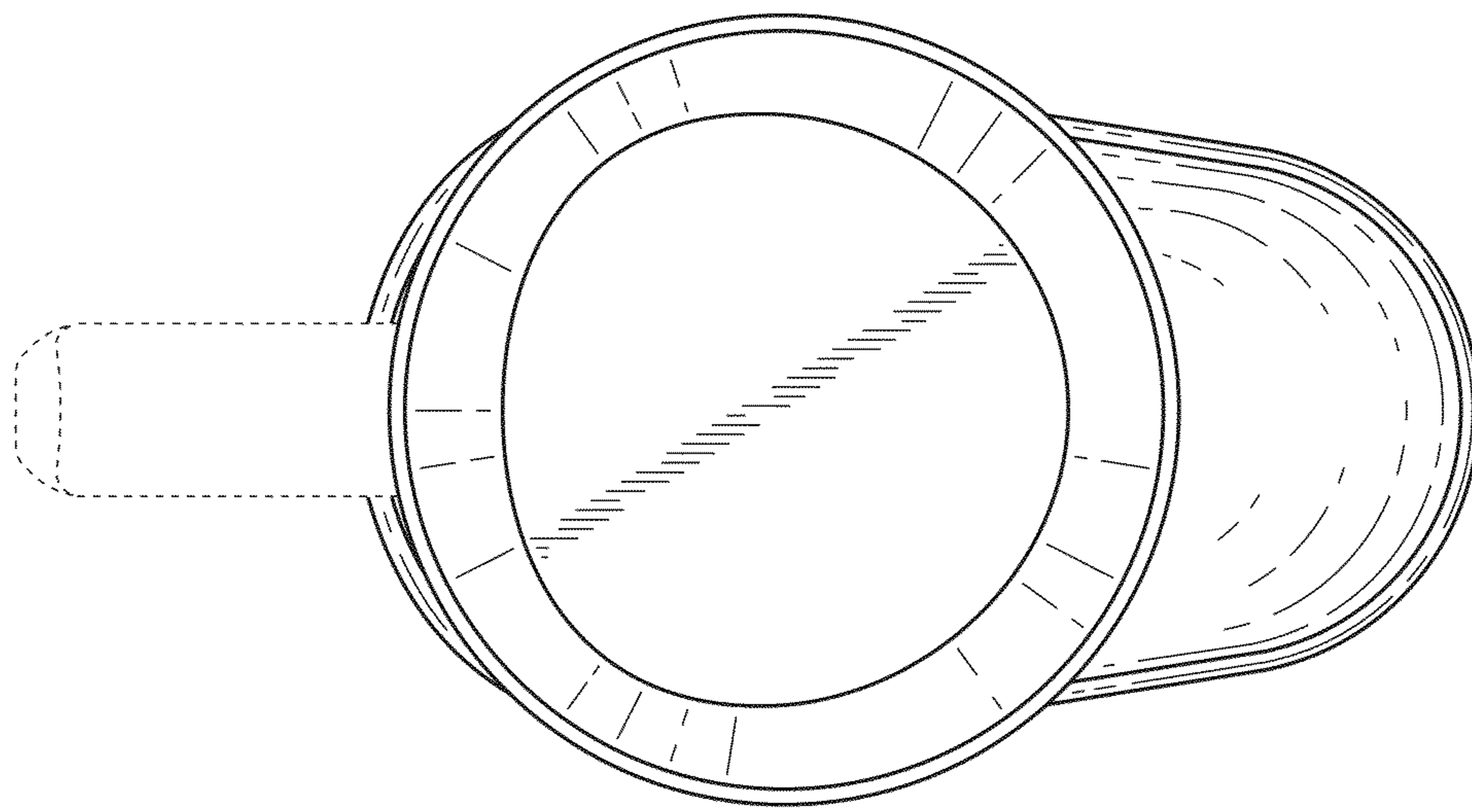


FIG. 7

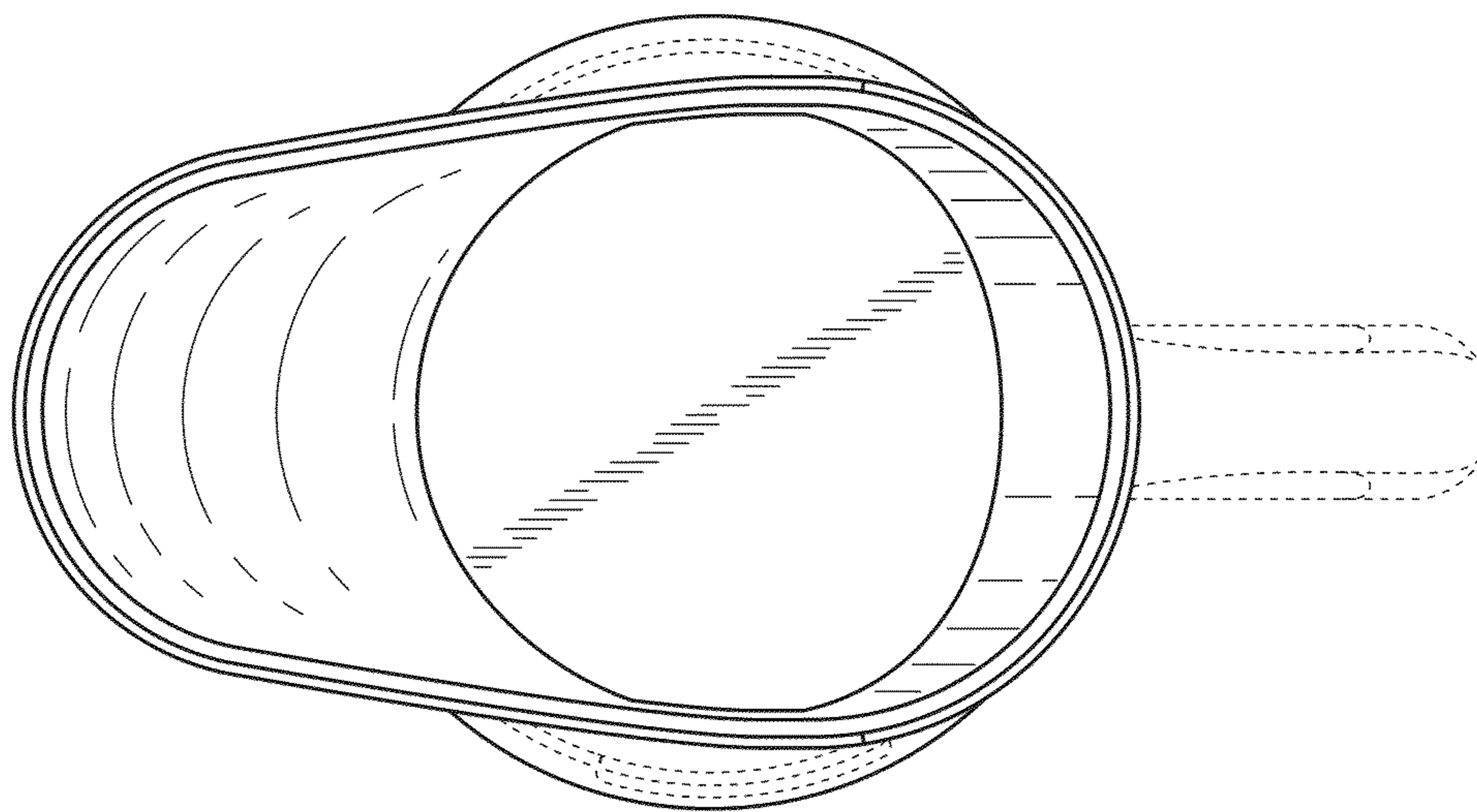


FIG. 8