



US00D744776S

(12) **United States Design Patent**
Seyers et al.

(10) **Patent No.:** **US D744,776 S**
(45) **Date of Patent:** **** Dec. 8, 2015**

- (54) **MICROWAVE GRILL**
- (71) Applicant: **Dart Industries Inc.**, Orlando, FL (US)
- (72) Inventors: **Lucille P. Seyers**, Ghent (BE); **Hector J. Barea**, Orlando, FL (US)
- (73) Assignee: **Dart Industries Inc.**, Orlando, FL (US)
- (**) Term: **14 Years**
- (21) Appl. No.: **29/491,463**
- (22) Filed: **May 21, 2014**
- (51) **LOC (10) Cl.** **07-02**
- (52) **U.S. Cl.**
USPC **D7/354**
- (58) **Field of Classification Search**
USPC D7/323, 354–363, 391, 393–396, 409,
D7/538, 540, 545, 554.2
CPC A47G 19/12; A47J 27/00; A47J 27/002;
A47J 27/08; A47J 27/21; A47J 27/58; A47J
36/025; A47J 36/06; A47J 36/12; A47J 37/00;
A47J 37/10; A47J 37/101; A47J 37/103;
A47J 37/12; A47J 37/1204; A47J 41/0044;
A47J 45/061; A47J 45/071; A47J 45/08;
H05B 6/12
See application file for complete search history.

(56) **References Cited**

U.S. PATENT DOCUMENTS

- D212,704 S * 11/1968 Benes D7/360
- D212,821 S * 11/1968 Benes D7/545

(Continued)

OTHER PUBLICATIONS

Prepolgy Microwave Grill Pan 23cm with Steamer Lid; Mar. 7, 2013; 3 pages.

(Continued)

Primary Examiner — Ricky Pham
(74) *Attorney, Agent, or Firm* — Taylor J. Ross

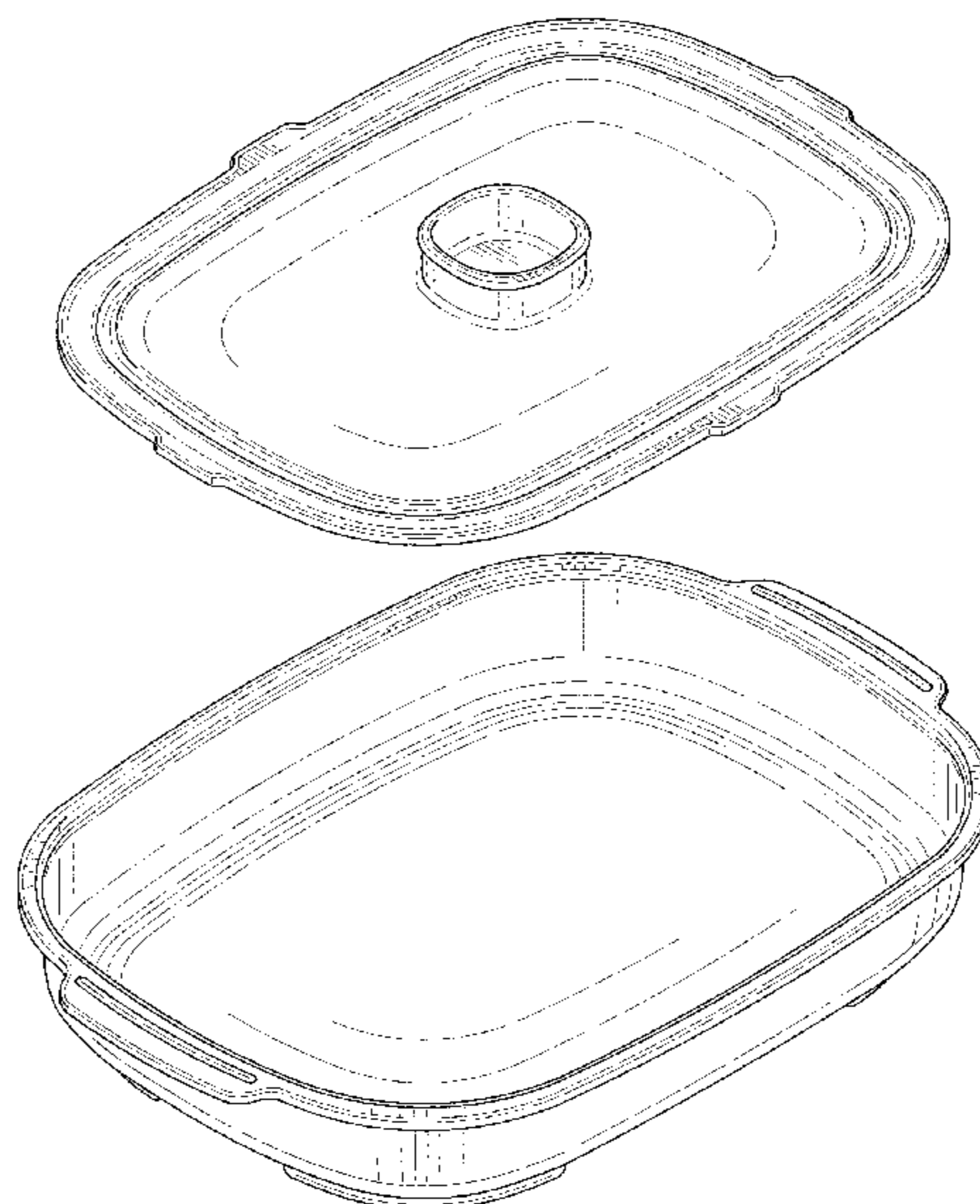
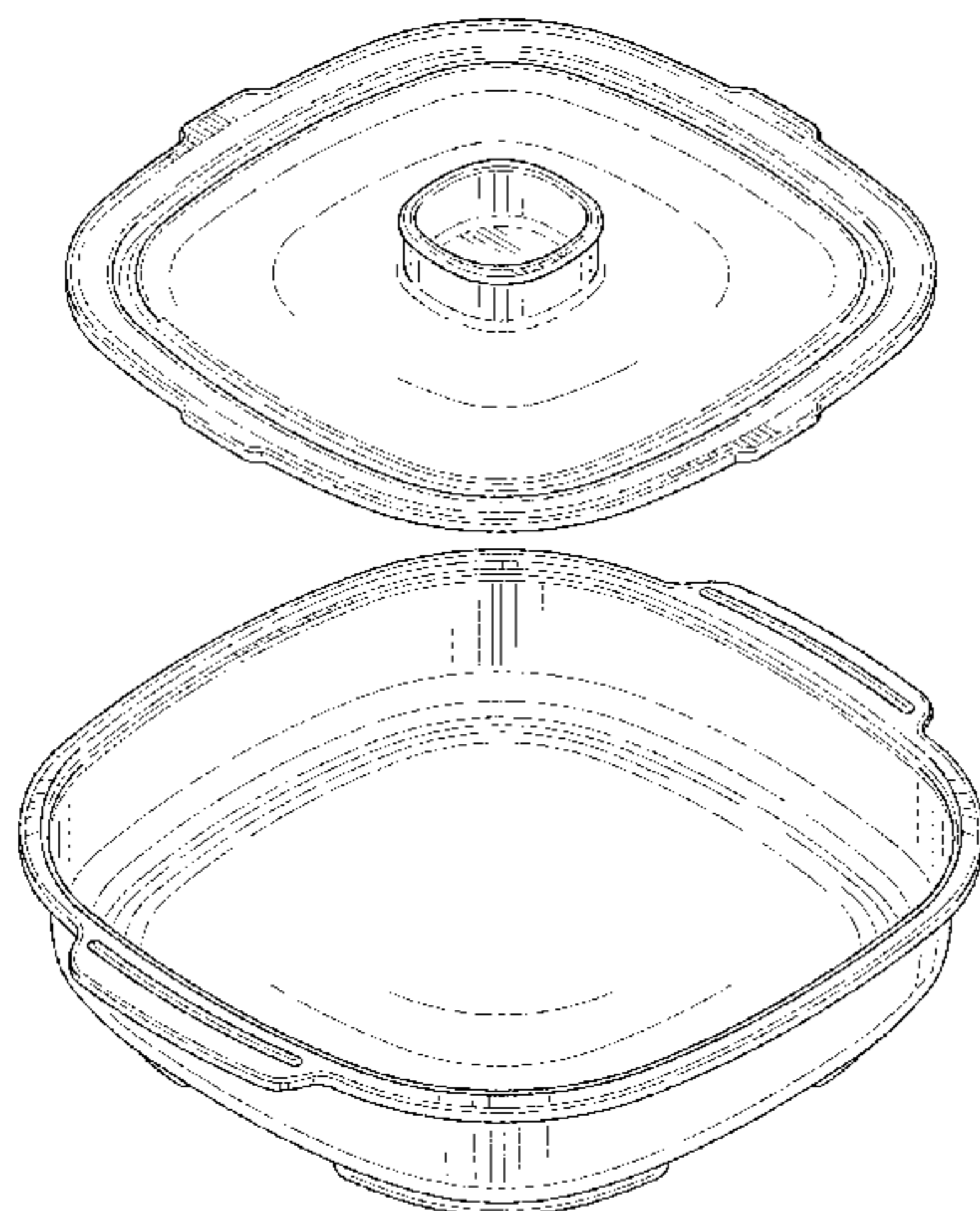
(57) **CLAIM**

The ornamental design for a microwave grill, as shown and described.

DESCRIPTION

FIG. 1 is a top, side and front perspective view of the first embodiment of a microwave grill showing our new design; FIG. 2 is an exploded view of the microwave grill shown in FIG. 1; FIG. 3 is a top plan view thereof; FIG. 4 is a bottom plan view thereof; FIG. 5 is a right side elevation view, the left side being identical thereto; FIG. 6 is a front elevation view, the rear elevation being identical thereto; FIG. 7 is a cross-sectional view taken along line 7-7 of FIG. 3; FIG. 8 is a cross-sectional view taken along line 8-8 of FIG. 3; FIG. 9 is a top, side and front perspective view of the second embodiment of a microwave grill showing our new design; FIG. 10 is an exploded view of the microwave grill shown in FIG. 9; FIG. 11 is top plan view thereof; FIG. 12 is a bottom plan view thereof; FIG. 13 is a right side elevation view, the left side being identical thereto; FIG. 14 is a front elevation view, the rear elevation being identical thereto; FIG. 15 is a cross-sectional view taken along line 15-15 of FIG. 11; and, FIG. 16 is a cross-sectional view taken along line 16-16 of FIG. 11.

1 Claim, 9 Drawing Sheets



(56)

References Cited

U.S. PATENT DOCUMENTS

D221,177 S * 7/1971 Wong D7/540
D276,398 S * 11/1984 Conti et al. D7/540
D326,797 S * 6/1992 Pomroy et al. D7/538
D338,373 S * 8/1993 Sun D7/540
D338,807 S * 8/1993 Conti D7/545
D527,952 S * 9/2006 Roth et al. D7/540
D557,062 S * 12/2007 Henry D7/360
D568,112 S * 5/2008 Epstein D7/554.2

D583,615 S * 12/2008 Simon et al. D7/354
D633,339 S * 3/2011 Hart et al. D7/538
8,006,513 B2 * 8/2011 Roth et al. 62/457.2

OTHER PUBLICATIONS

Prepology Microwave Grill Pan with Press & Steamer Lid; Mar. 7, 2013; 1 page.
Tastiwave Tasty Wave Microwave Cookware; Mar. 7, 2013; 1 page.

* cited by examiner

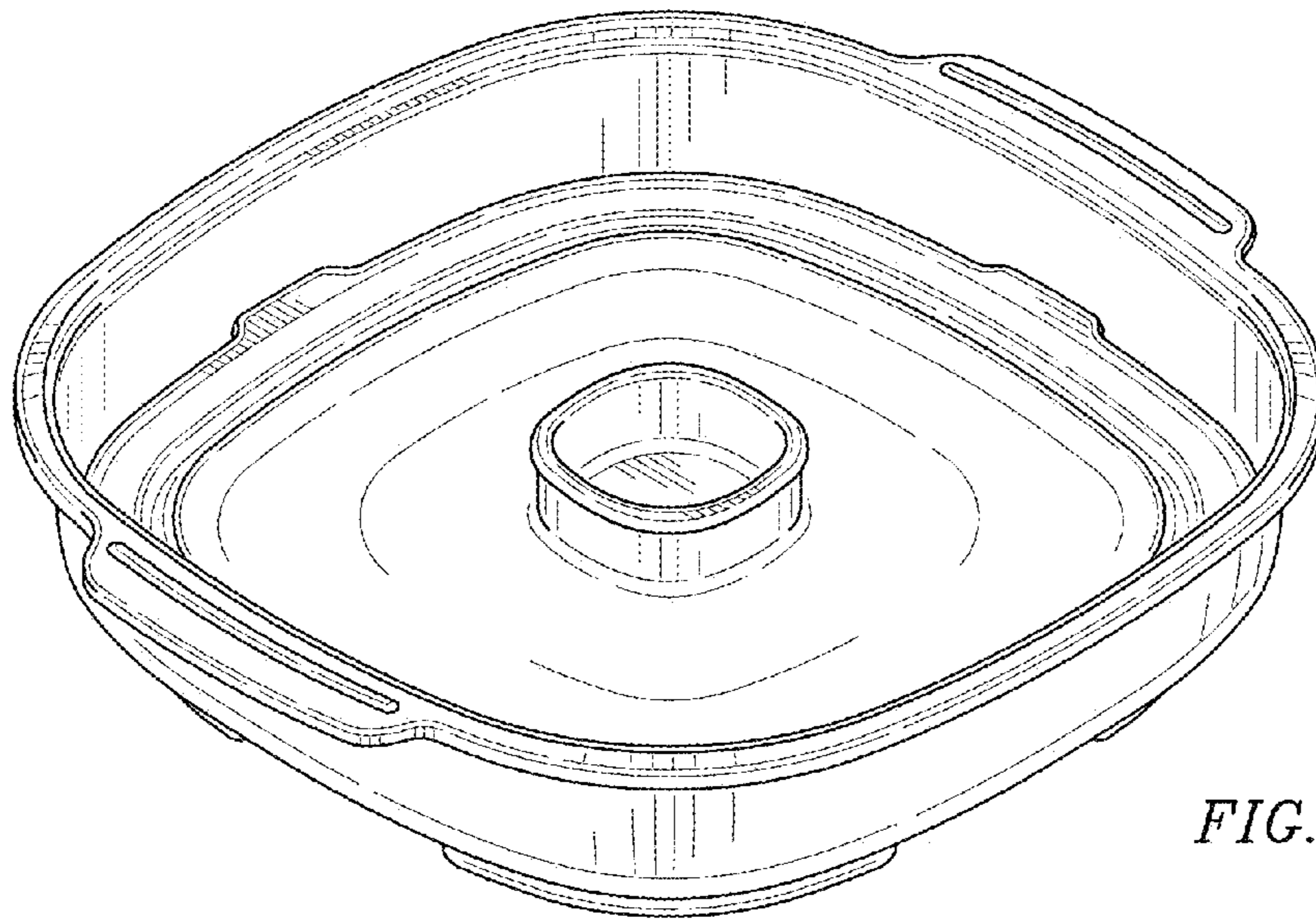


FIG. 1

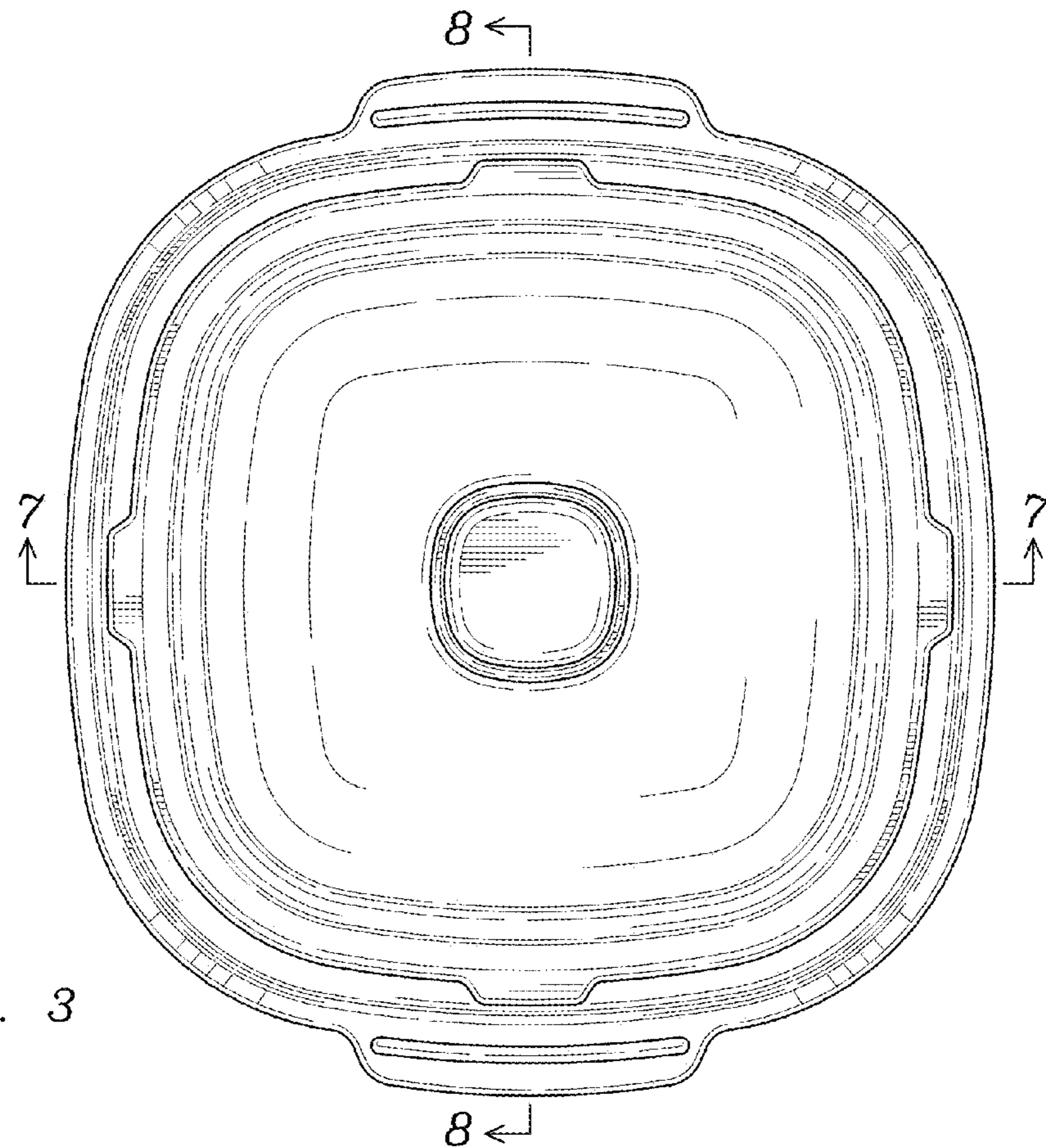


FIG. 3

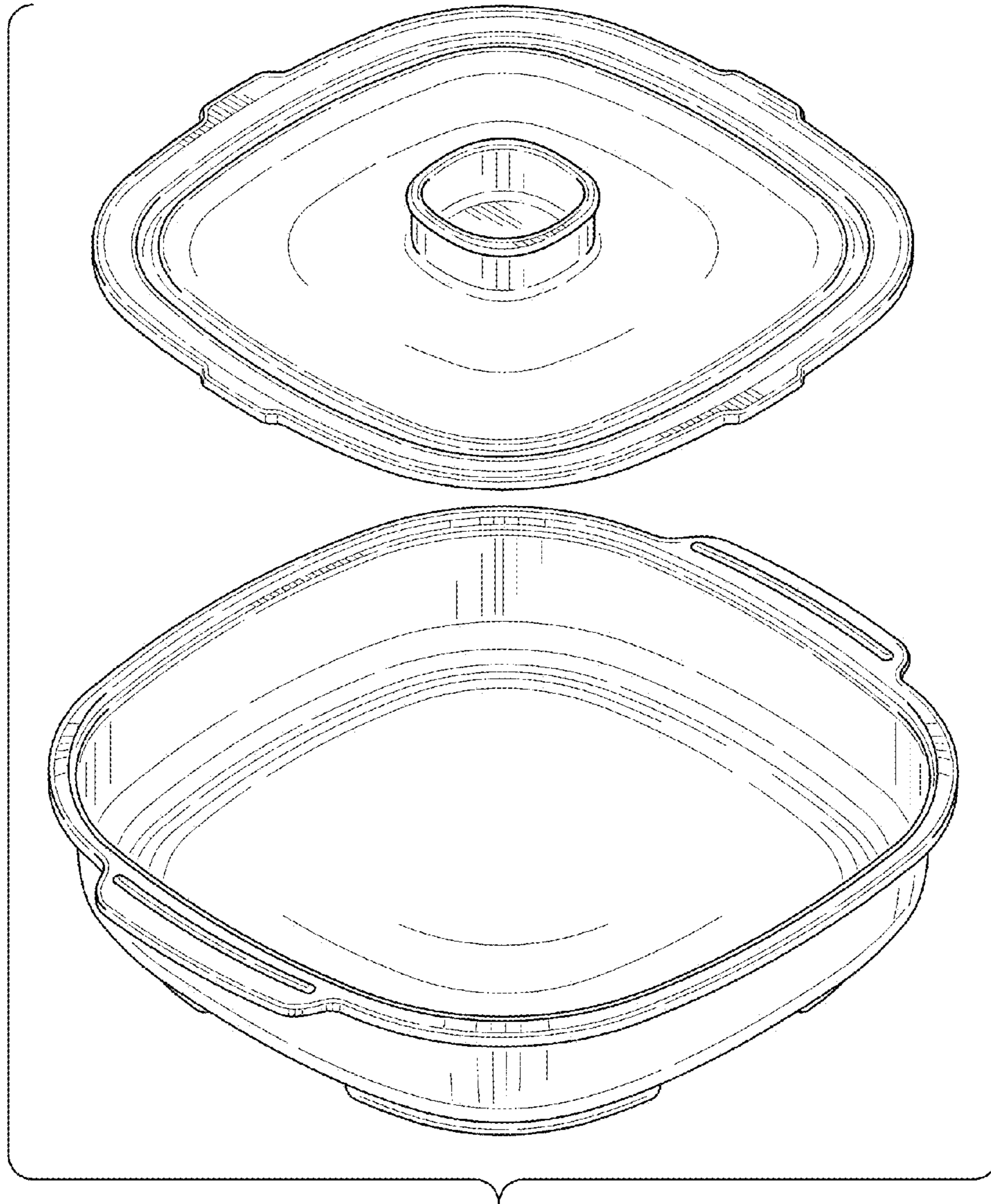


FIG. 2

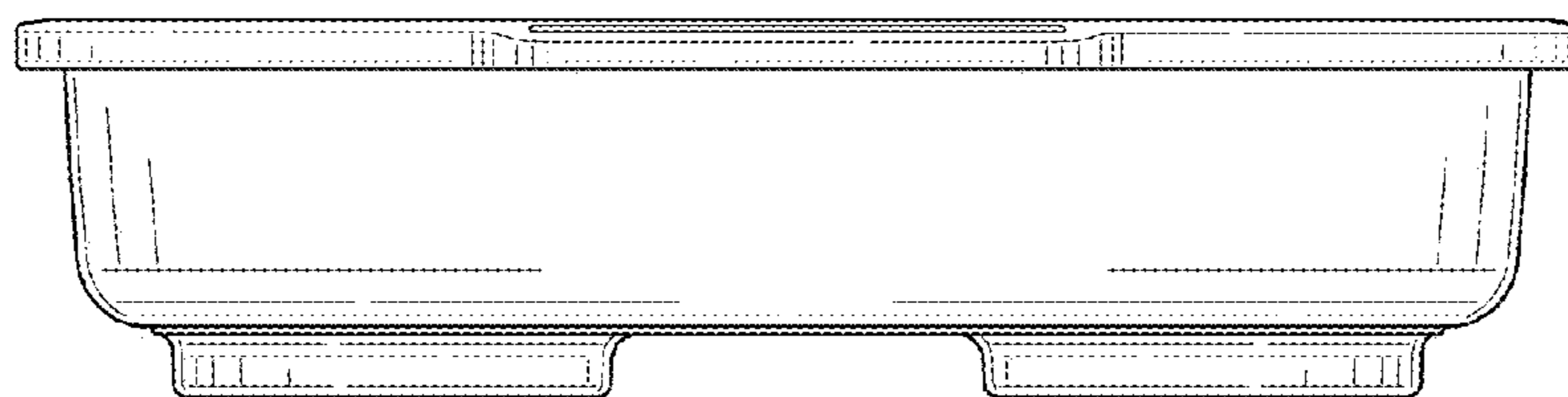


FIG. 5

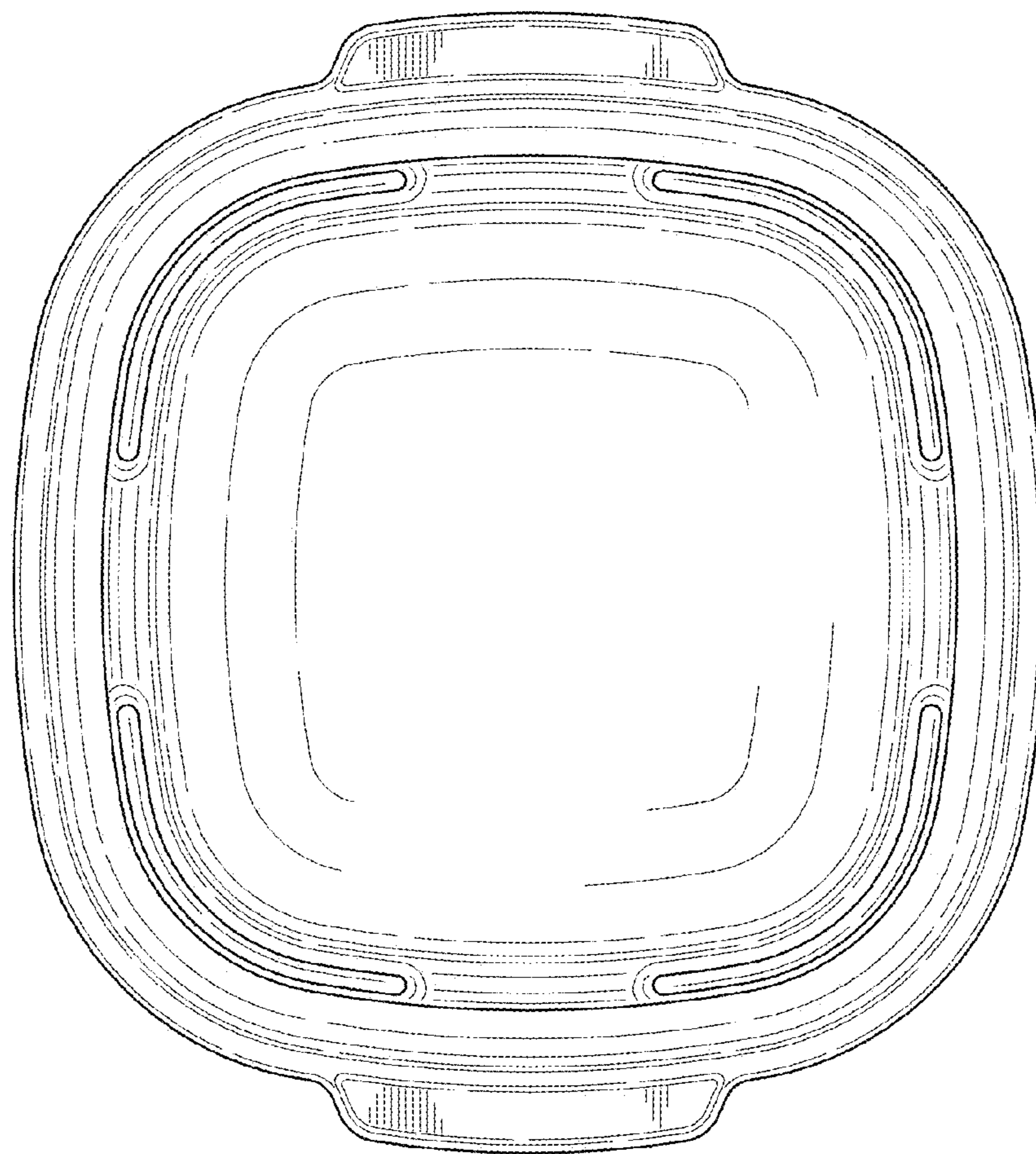


FIG. 4

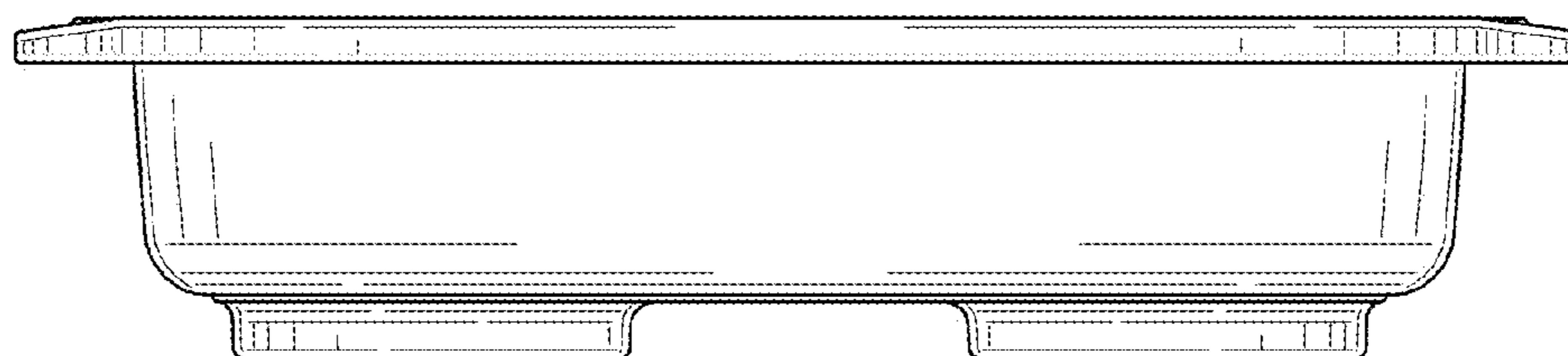


FIG. 6

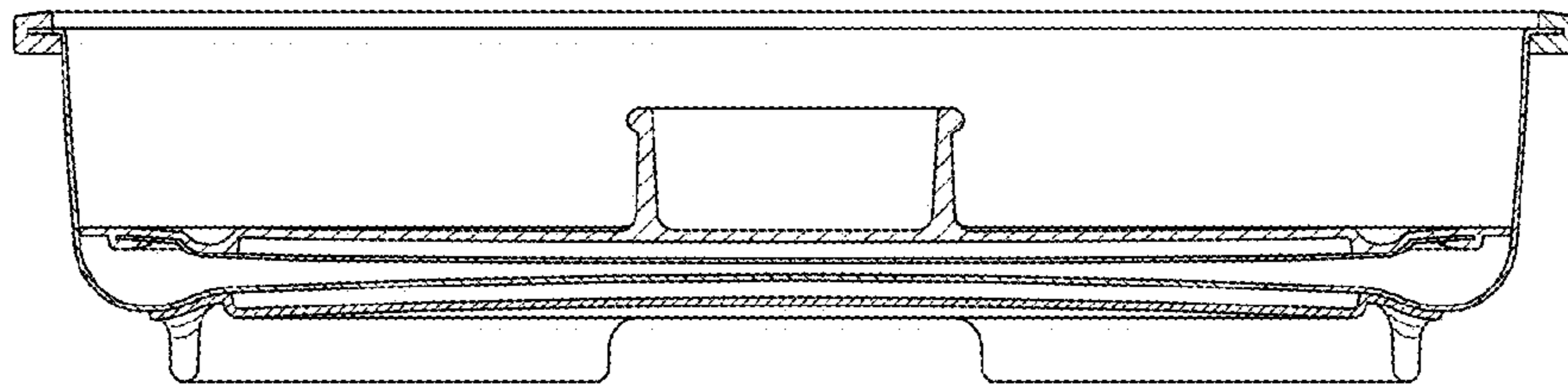


FIG. 7

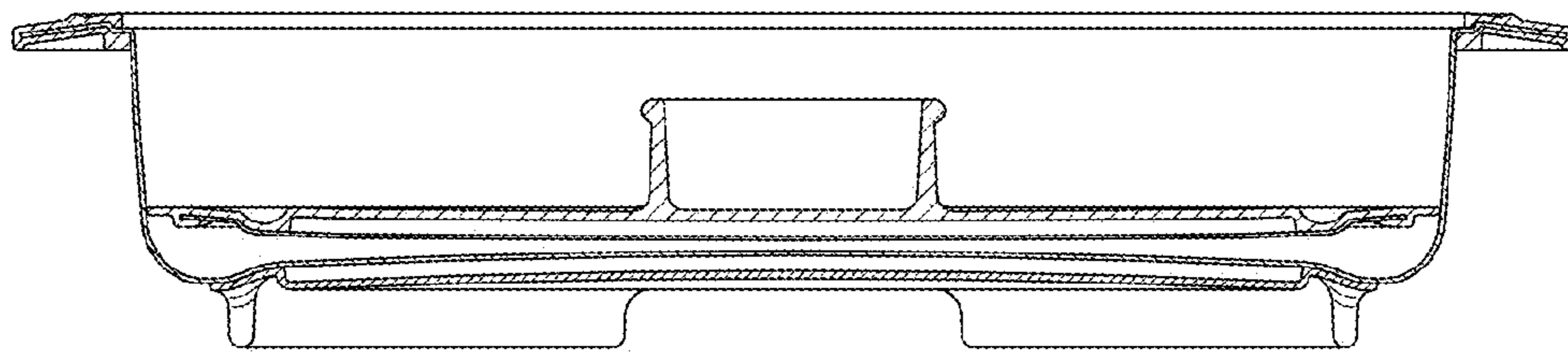


FIG. 8

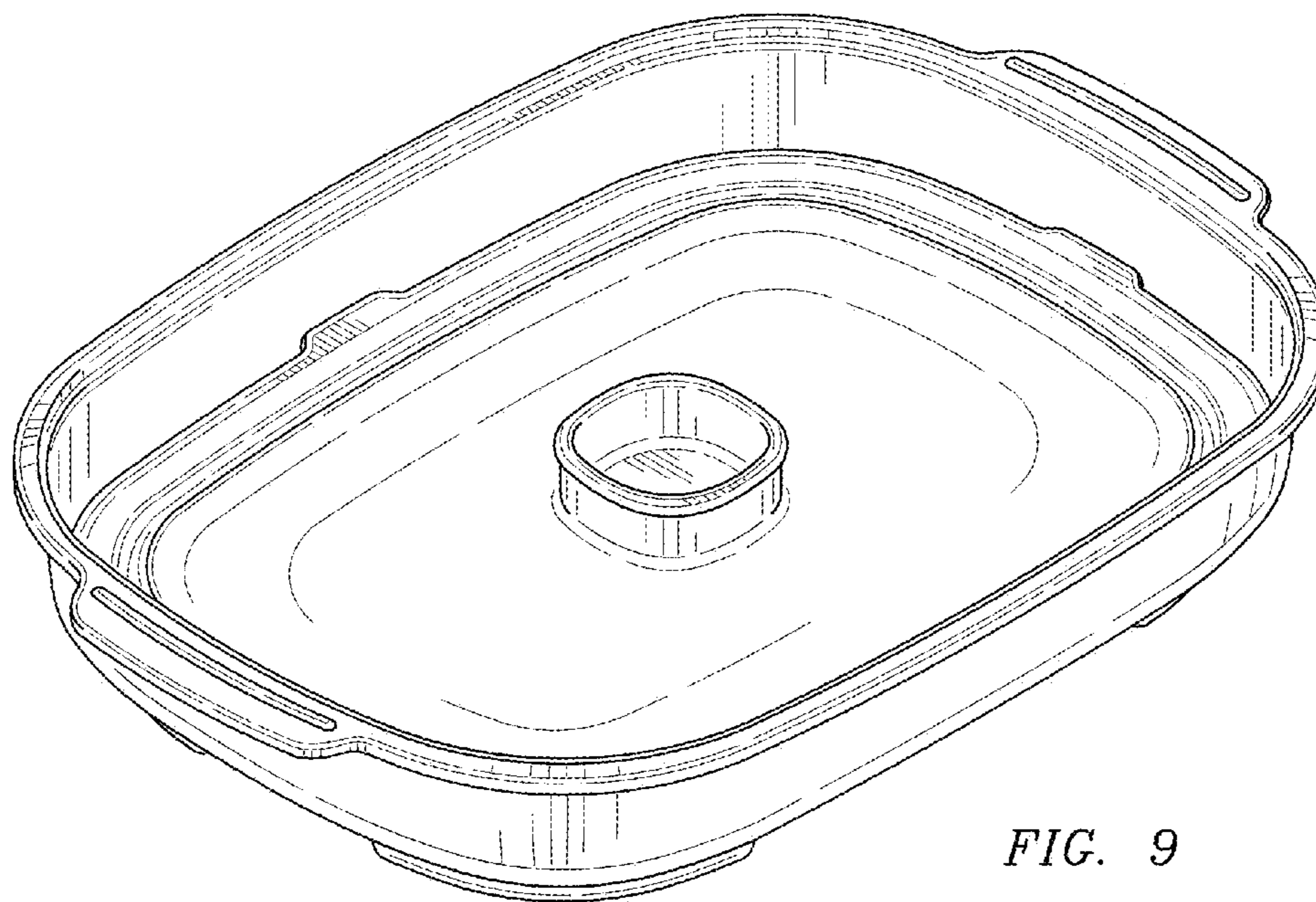


FIG. 9

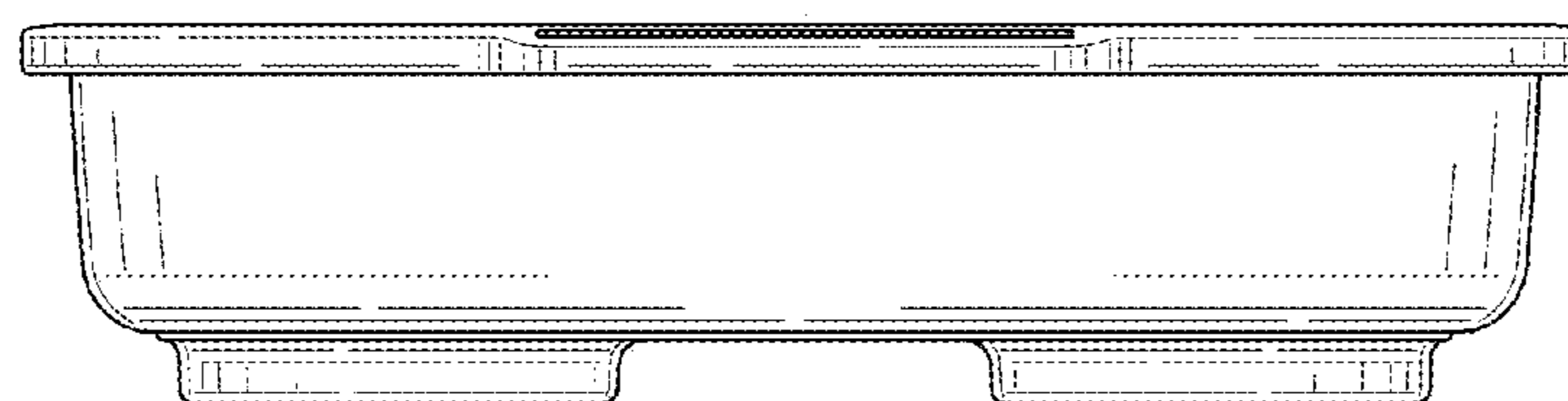


FIG. 13

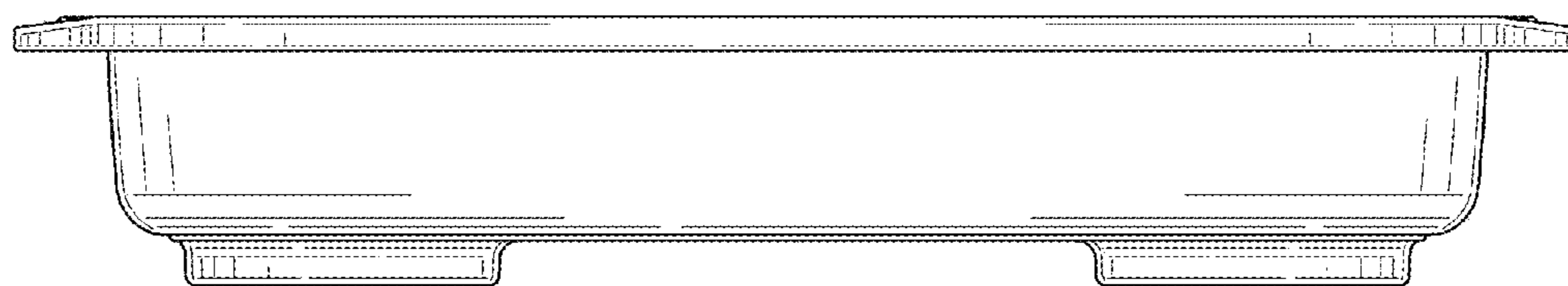


FIG. 14

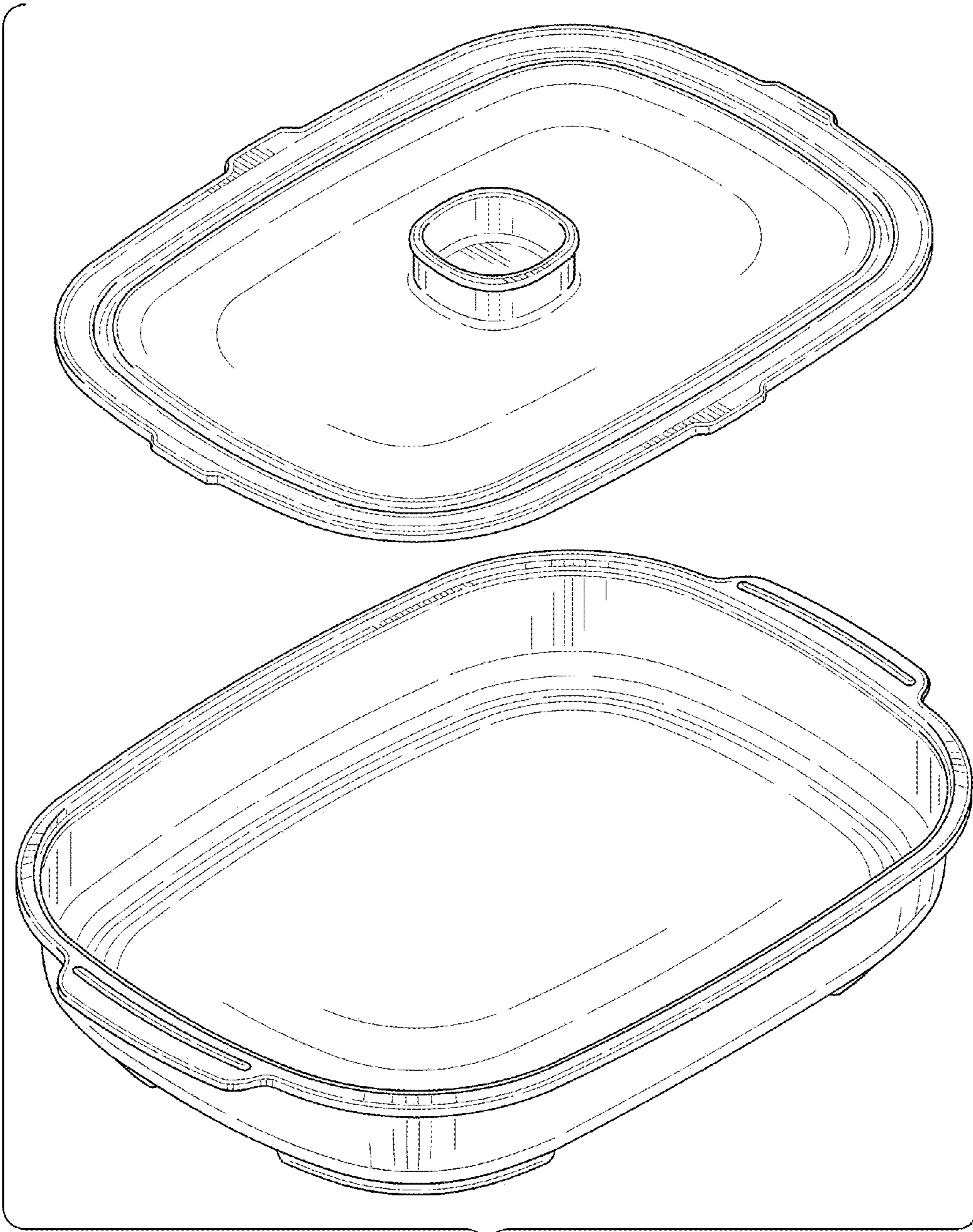


FIG. 10

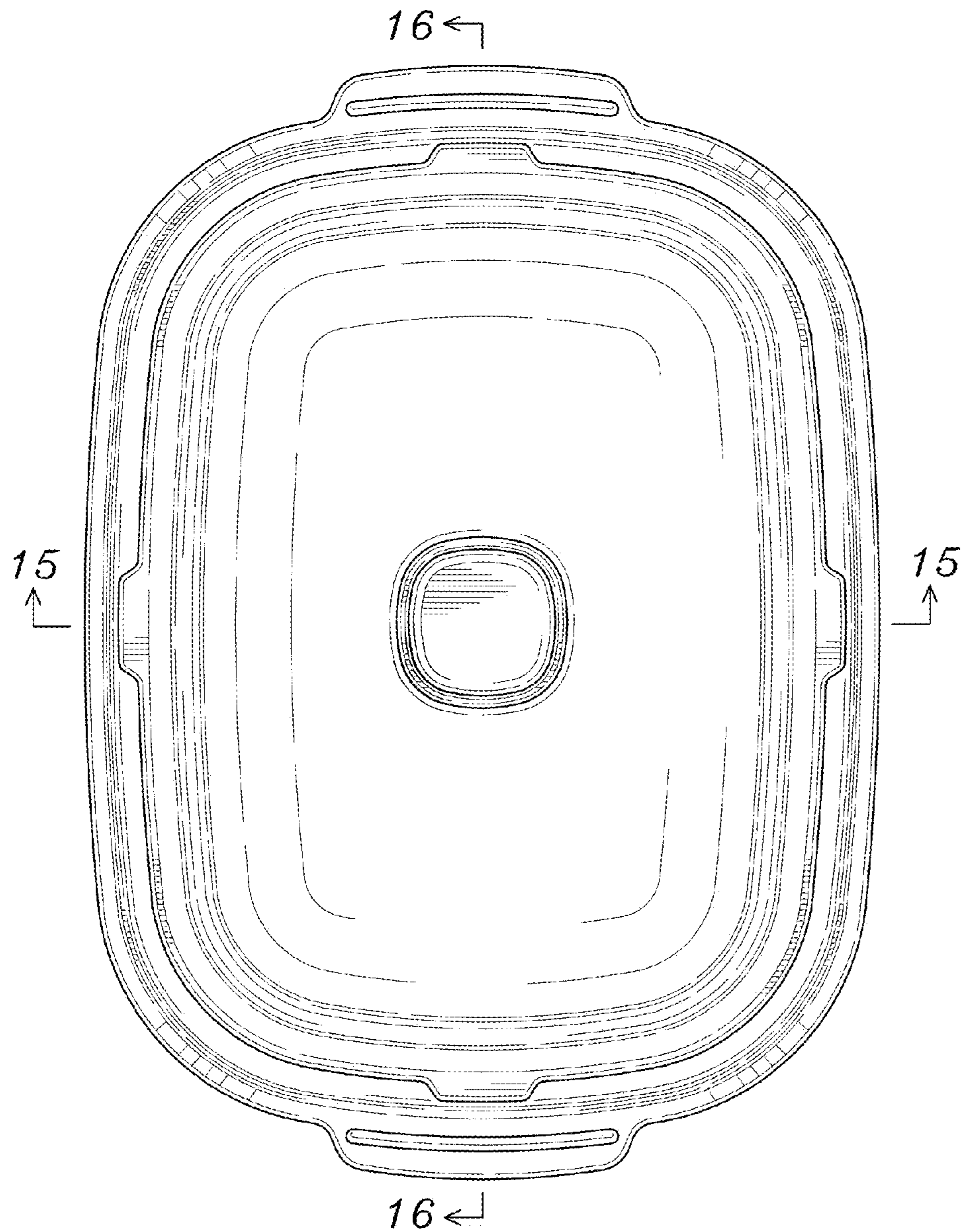


FIG. 11

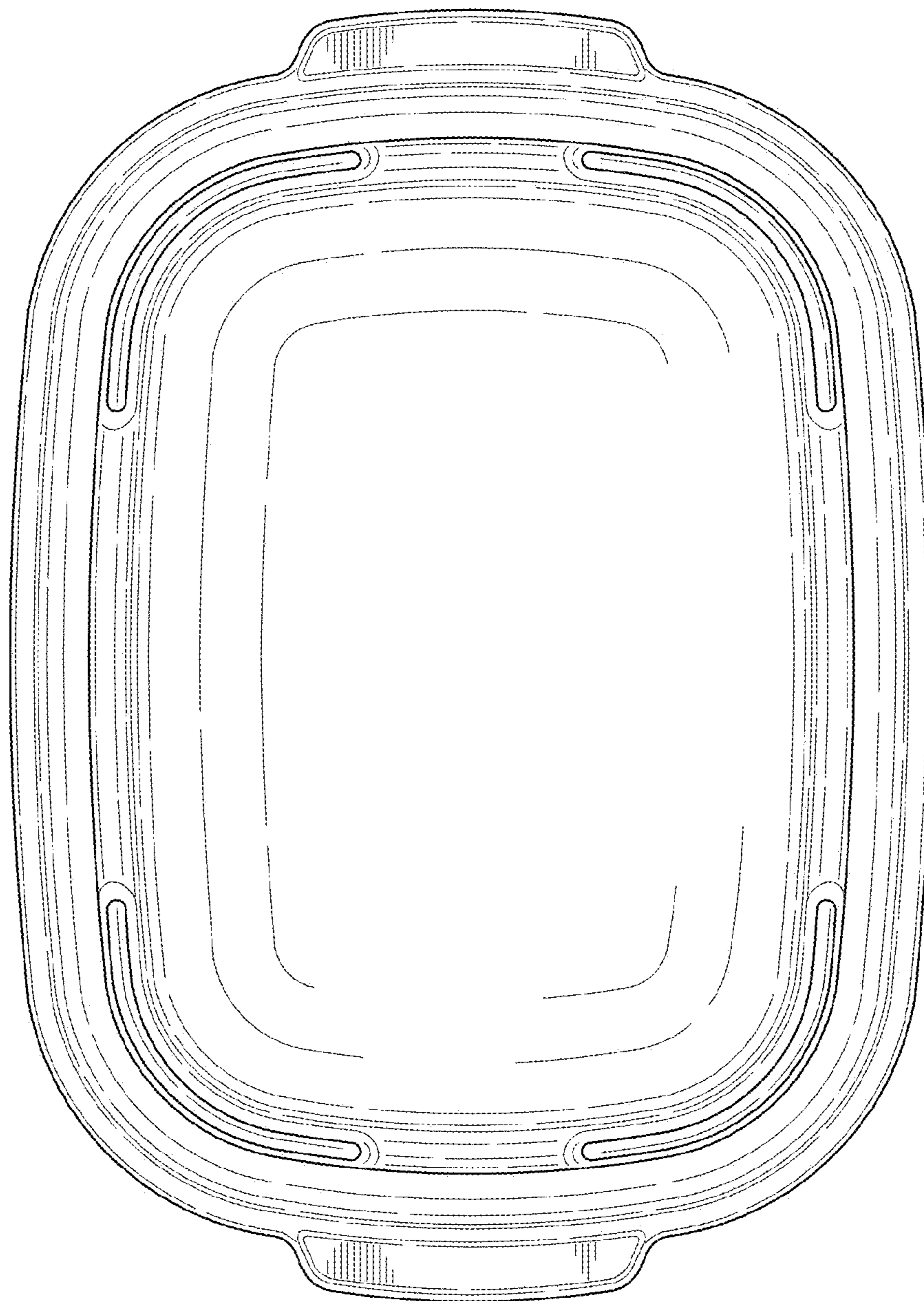


FIG. 12

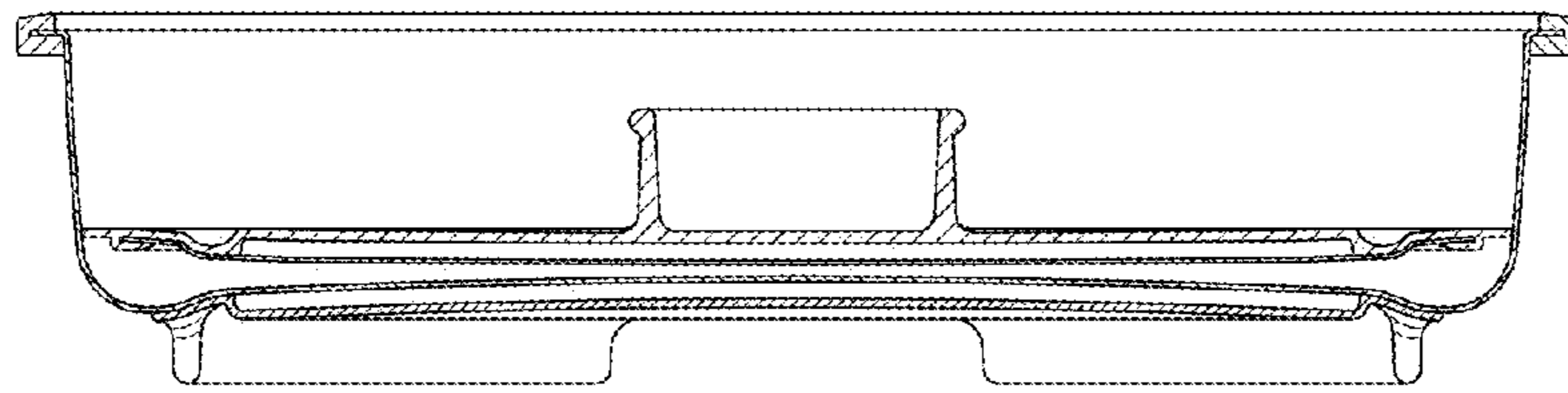


FIG. 15

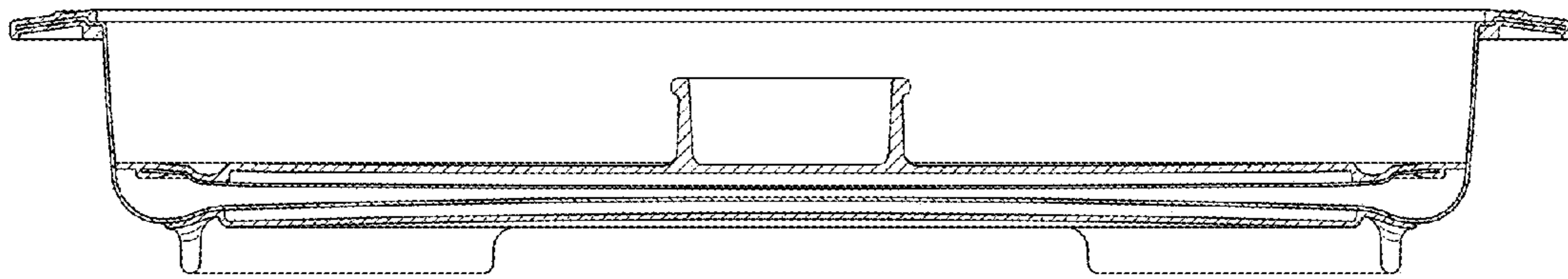


FIG. 16