



US00D744773S

(12) **United States Design Patent**  
**Yoon**

(10) **Patent No.:** **US D744,773 S**  
(45) **Date of Patent:** **\*\* Dec. 8, 2015**

(54) **DISPLAY SHELF**

(71) Applicant: **Street Lab, Inc.**, New York, NY (US)  
(72) Inventor: **Jeannie Meejin Yoon**, Boston, MA (US)  
(73) Assignee: **Street Lab, Inc.**, New York, NY (US)  
(\*\*) Term: **14 Years**  
(21) Appl. No.: **29/462,726**

(22) Filed: **Aug. 7, 2013**  
(51) **LOC (10) Cl.** ..... **06-06**  
(52) **U.S. Cl.**  
USPC ..... **D6/678**  
(58) **Field of Classification Search**  
USPC ..... D6/672, 675, 675.1, 678, 678.1, 678.2  
CPC ..... A47B 63/00; A47B 63/02; A47B 65/00  
See application file for complete search history.

(56) **References Cited**

**U.S. PATENT DOCUMENTS**

5,855,175	A *	1/1999	Forbes	108/180
D456,641	S *	5/2002	Carrabba	D6/675.1
D465,348	S *	11/2002	Lucatello	D6/678
D492,861	S *	7/2004	Lenger	D6/675.3
D496,544	S *	9/2004	Bosman	D6/675.1
D586,153	S *	2/2009	Maly	D6/683.1
D588,837	S *	3/2009	Helle	D6/678.1
D591,086	S *	4/2009	Karsson	D6/675.3
D591,533	S *	5/2009	Karsson	D6/675.3
D592,898	S *	5/2009	Helle	D6/678
D632,102	S *	2/2011	Sato	D6/675.1
D648,335	S *	11/2011	Shiono	D14/374
D665,198	S *	8/2012	Levy et al.	D6/675.1
D705,583	S *	5/2014	Meissner et al.	D6/675.1

(Continued)

*Primary Examiner* — Kelley Donnelly

(74) *Attorney, Agent, or Firm* — Stroock & Stroock & Lavan LLP

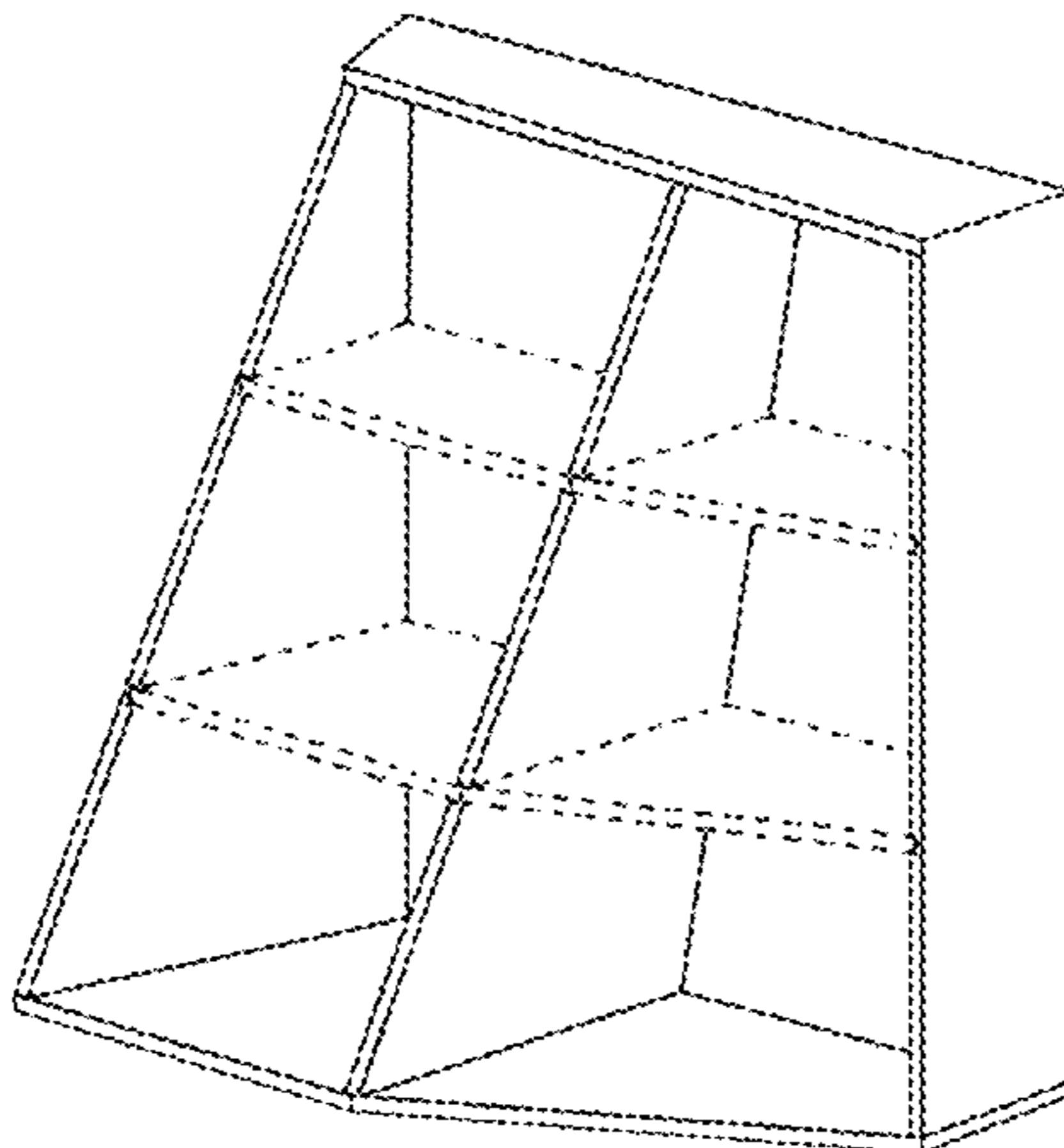
(57) **CLAIM**

The ornamental design for a display shelf, as shown and described herein.

**DESCRIPTION**

FIG. 1 is a perspective view of a first embodiment of a display shelf;  
FIG. 2 is a front elevation view thereof;  
FIG. 3 is a rear elevation view thereof;  
FIG. 4 is a side elevation view thereof;  
FIG. 5 is another side elevation view thereof;  
FIG. 6 is a top elevation view thereof;  
FIG. 7 is a bottom elevation view thereof;  
FIG. 8 is a perspective view of a second embodiment of a display shelf;  
FIG. 9 is a side elevation view thereof;  
FIG. 10 is another side elevation view thereof;  
FIG. 11 is a front elevation view thereof;  
FIG. 12 is a rear elevation view thereof;  
FIG. 13 is a top elevation view thereof;  
FIG. 14 is a bottom elevation view thereof;  
FIG. 15 is a perspective view of a third embodiment of a display shelf;  
FIG. 16 is a side elevation view thereof;  
FIG. 17 is another side elevation view thereof;  
FIG. 18 is a front elevation view thereof;  
FIG. 19 is a rear elevation view thereof;  
FIG. 20 is a top elevation view thereof;  
FIG. 21 is a bottom elevation view thereof;  
FIG. 22 is a perspective view of a fourth embodiment of a display shelf;  
FIG. 23 is a side elevation view thereof;  
FIG. 24 is another side elevation view thereof;  
FIG. 25 is a front elevation view thereof;  
FIG. 26 is a rear elevation view thereof;  
FIG. 27 is a top elevation view thereof; and,  
FIG. 28 is a bottom elevation view thereof.  
The broken lines shown in the drawings are to illustrate environmental features only and form no part of the claimed design.

**1 Claim, 26 Drawing Sheets**



# US D744,773 S

Page 2

---

(56)

## References Cited

U.S. PATENT DOCUMENTS

D722,459 S \* 2/2015 Schluetter ..... D6/675.3  
2006/0243177 A1\* 11/2006 Jones ..... 108/180  
2014/0230295 A1\* 8/2014 Hawkins ..... 40/606.03

D706,557 S \* 6/2014 Meissner et al. .... D6/675.1 \* cited by examiner

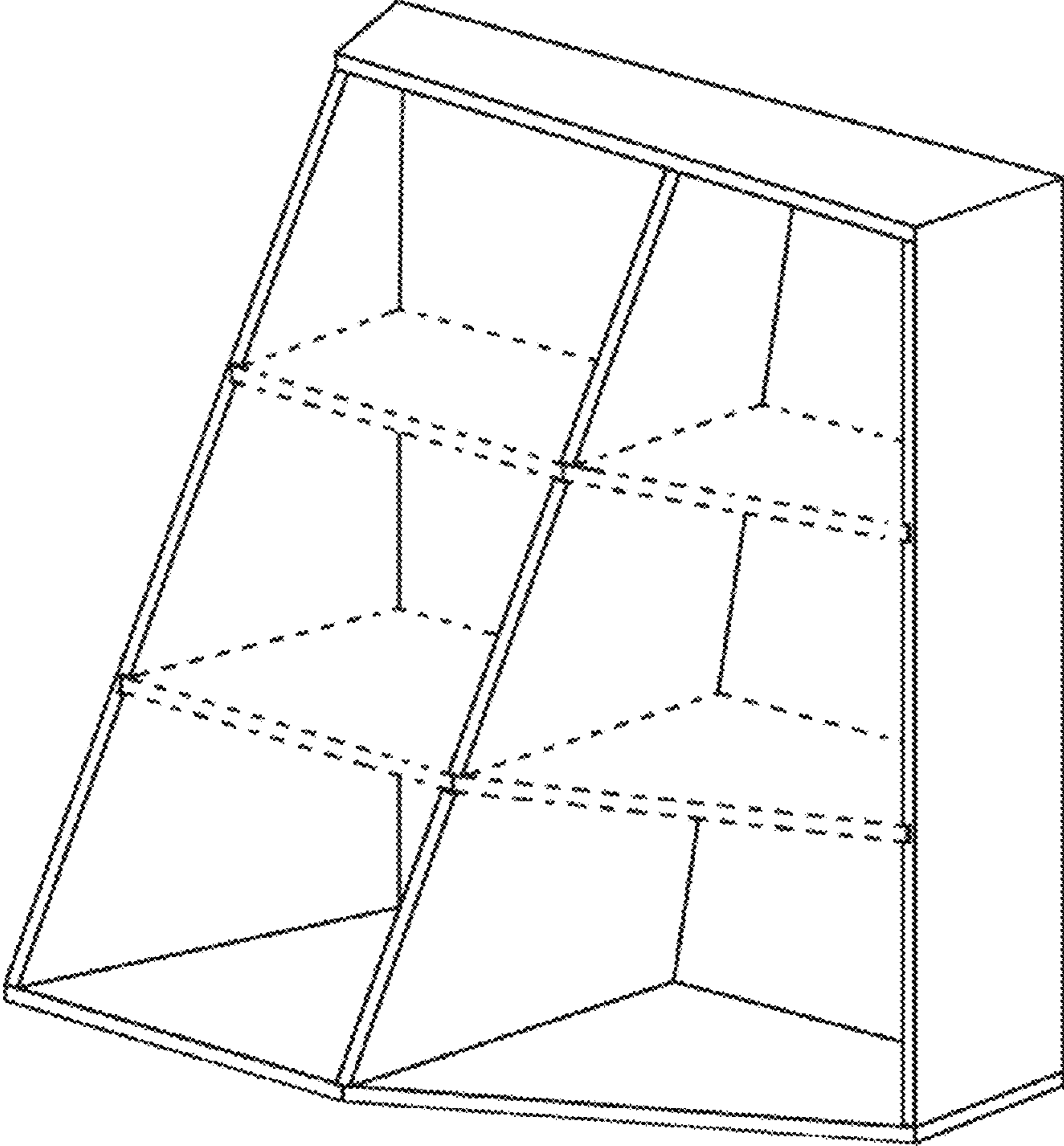


FIG. 1

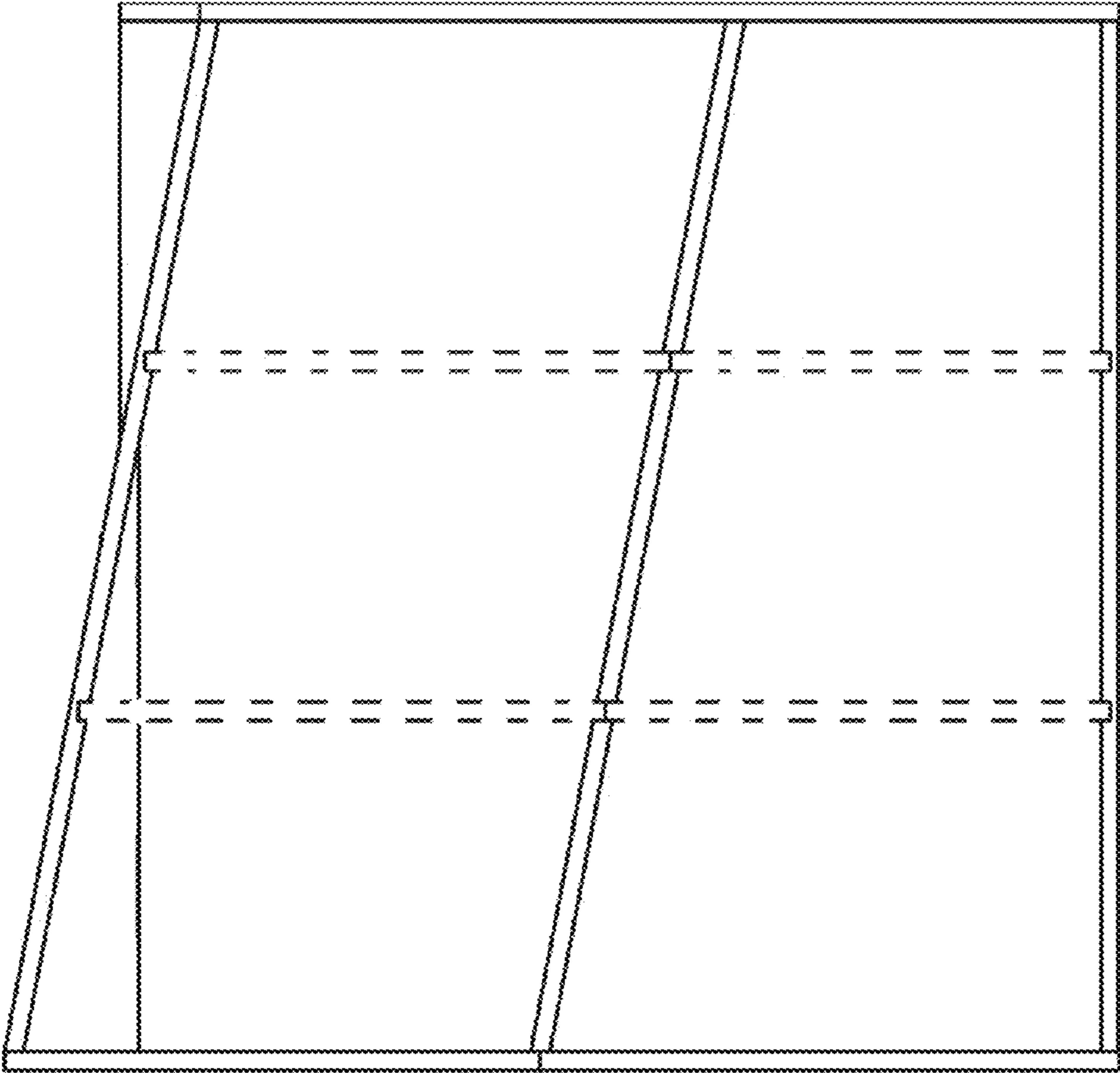
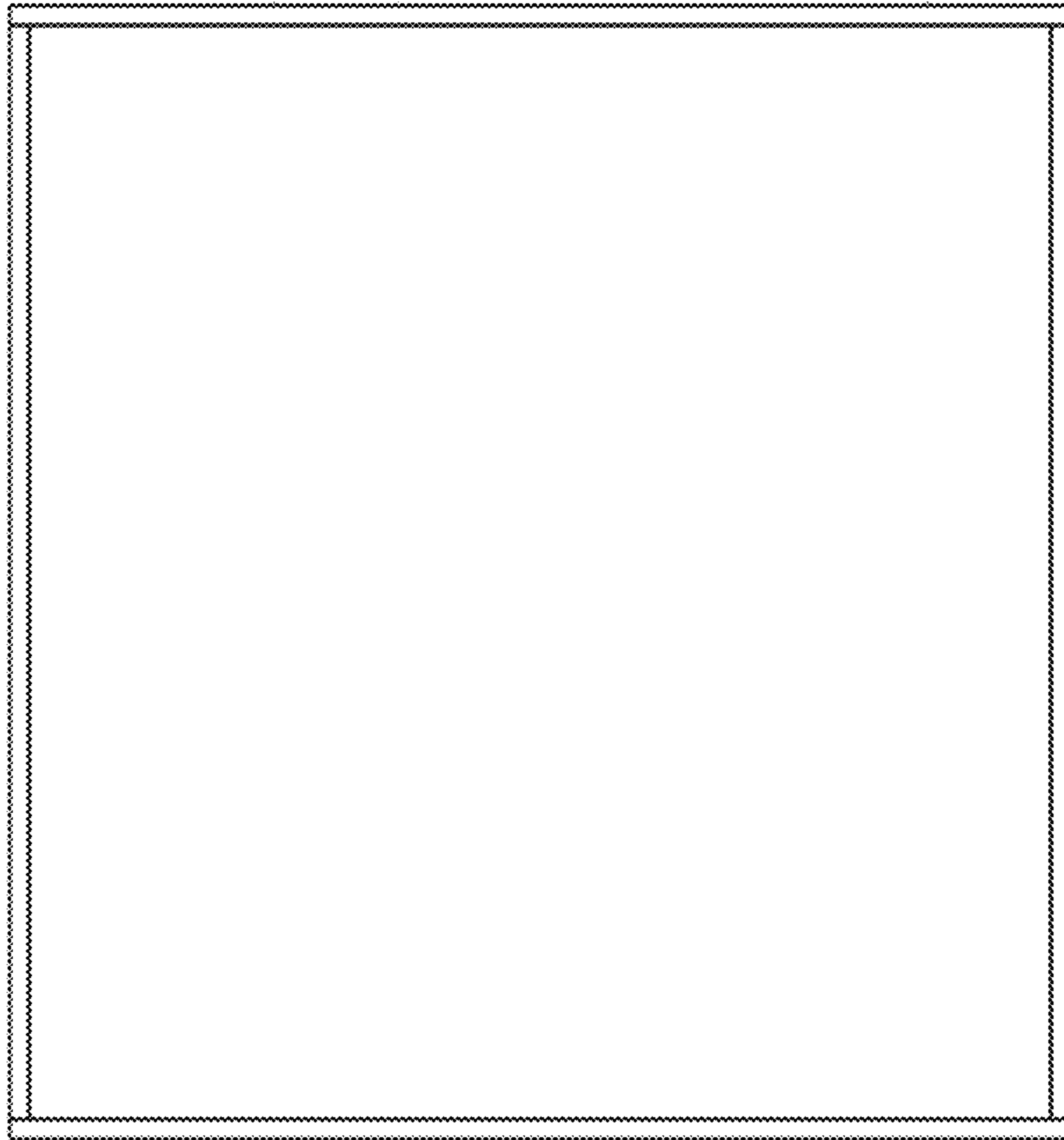


FIG. 2



**FIG. 3**

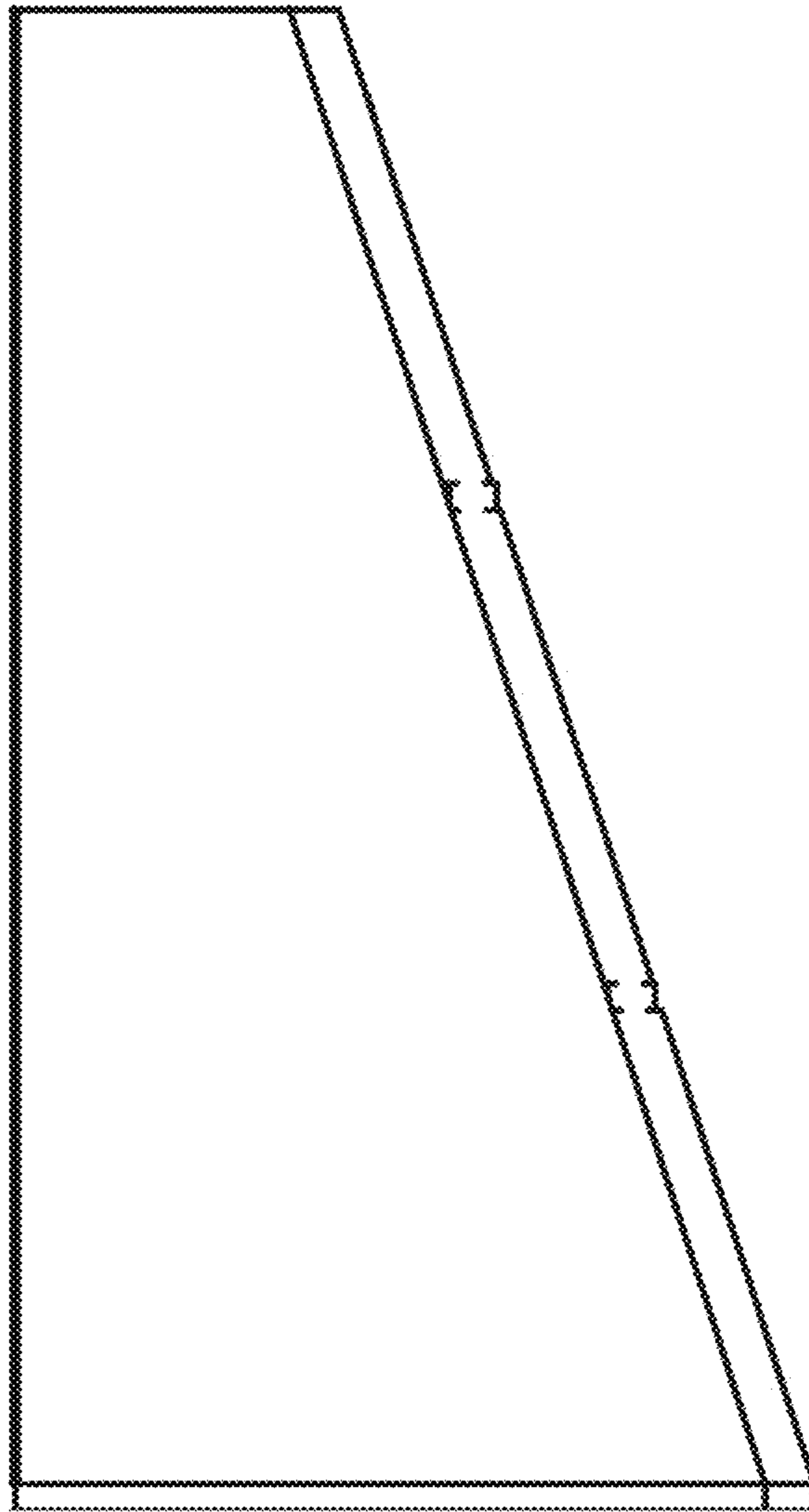


FIG. 4

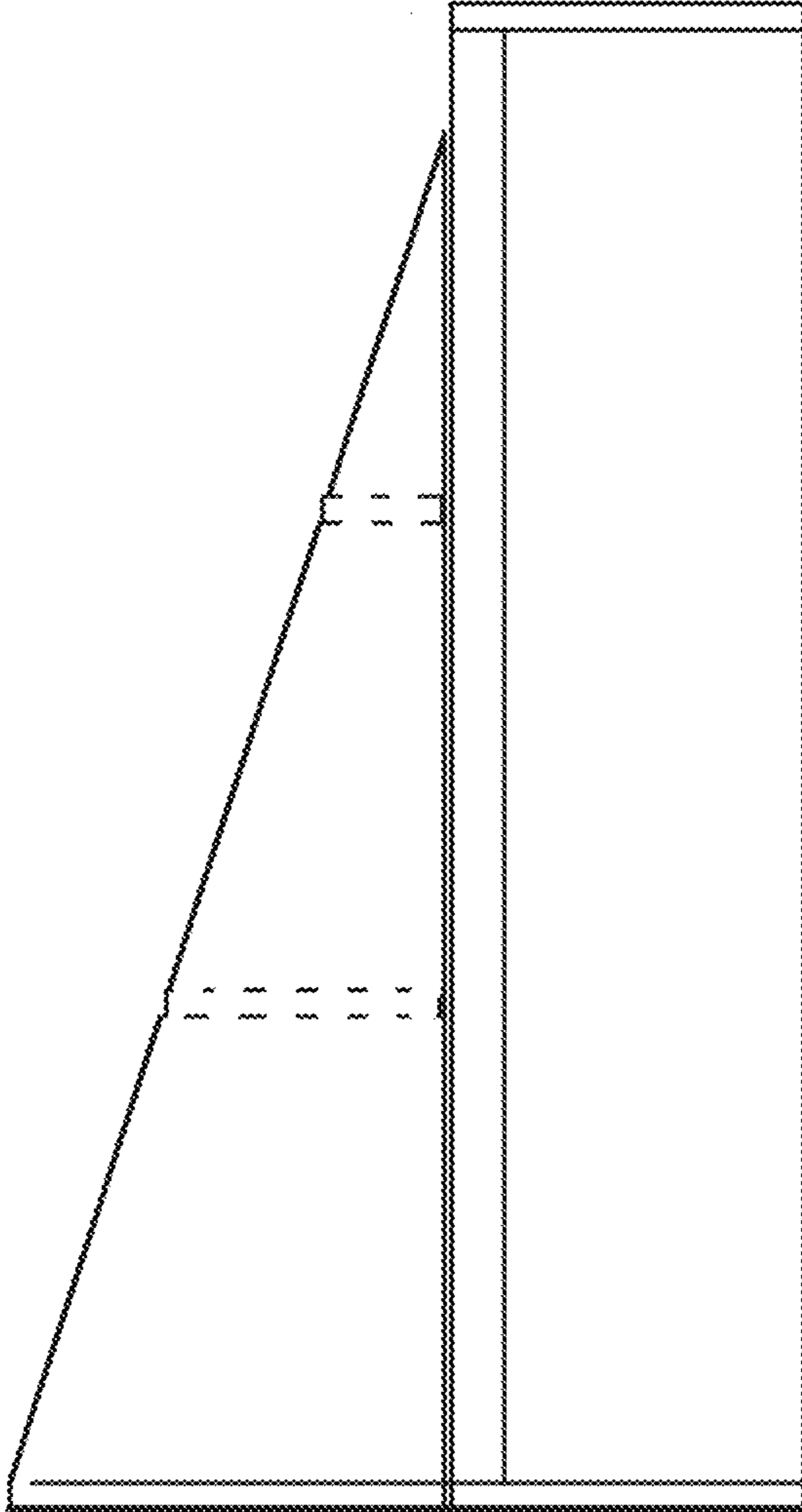


FIG. 5

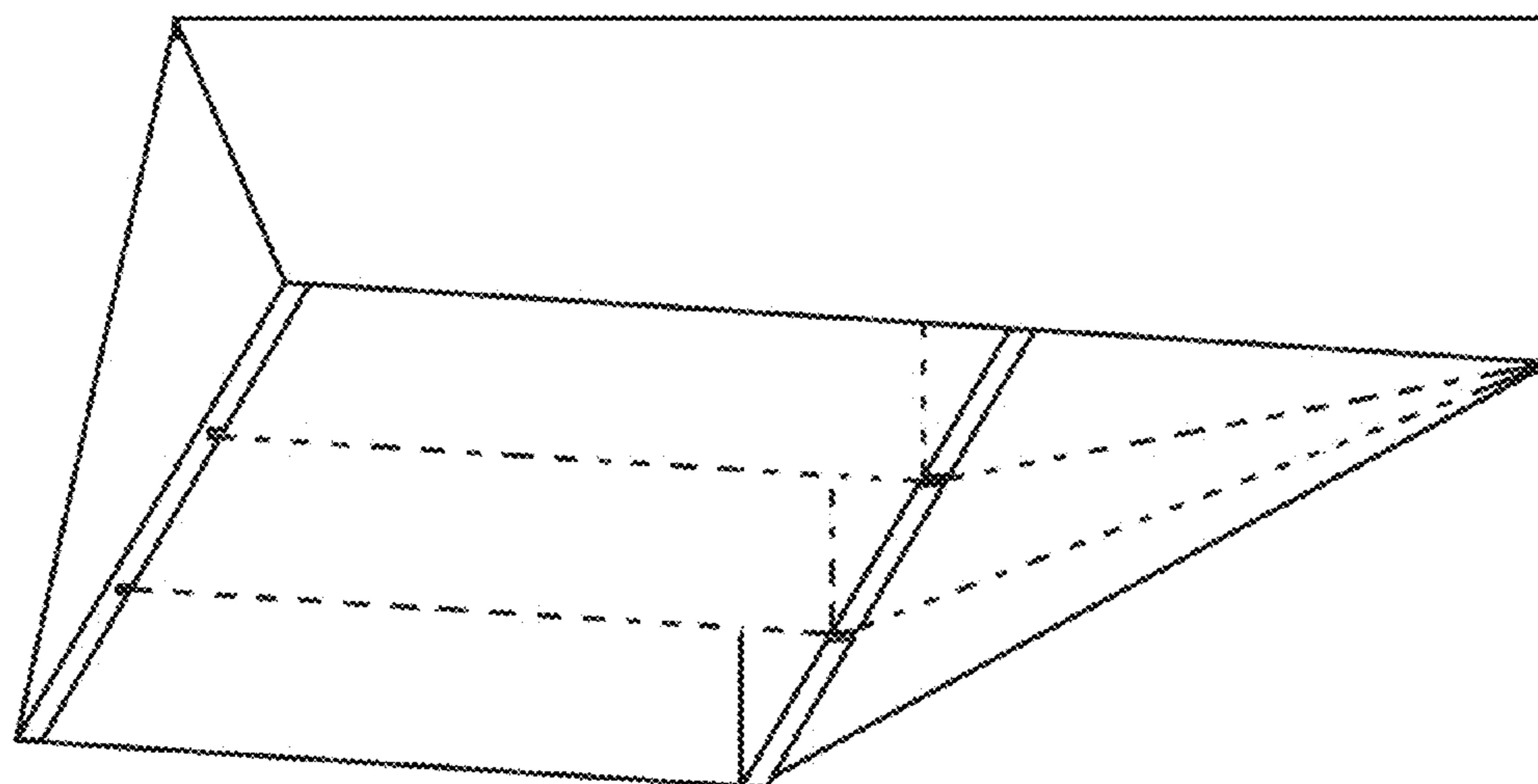


FIG. 6



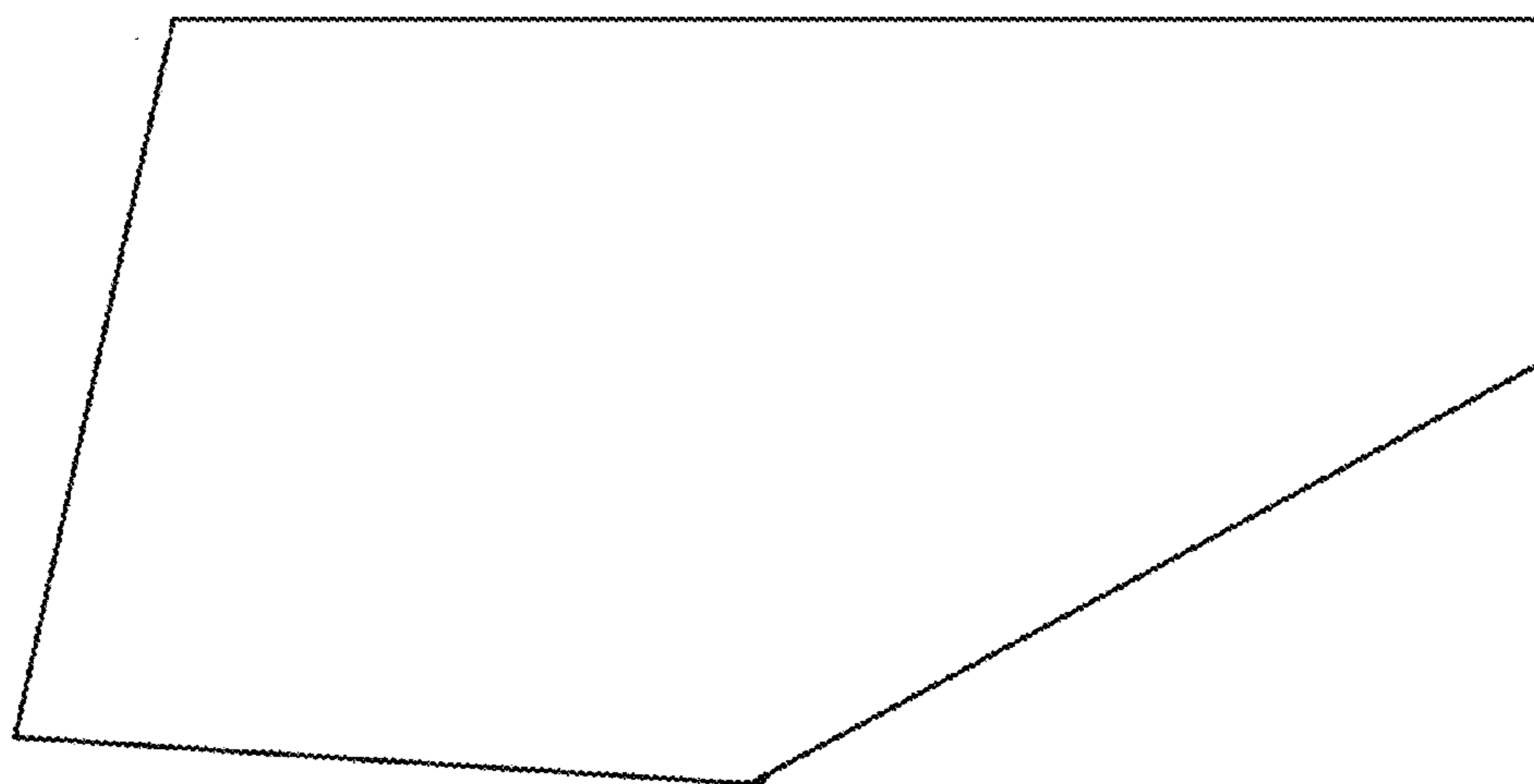


FIG. 7

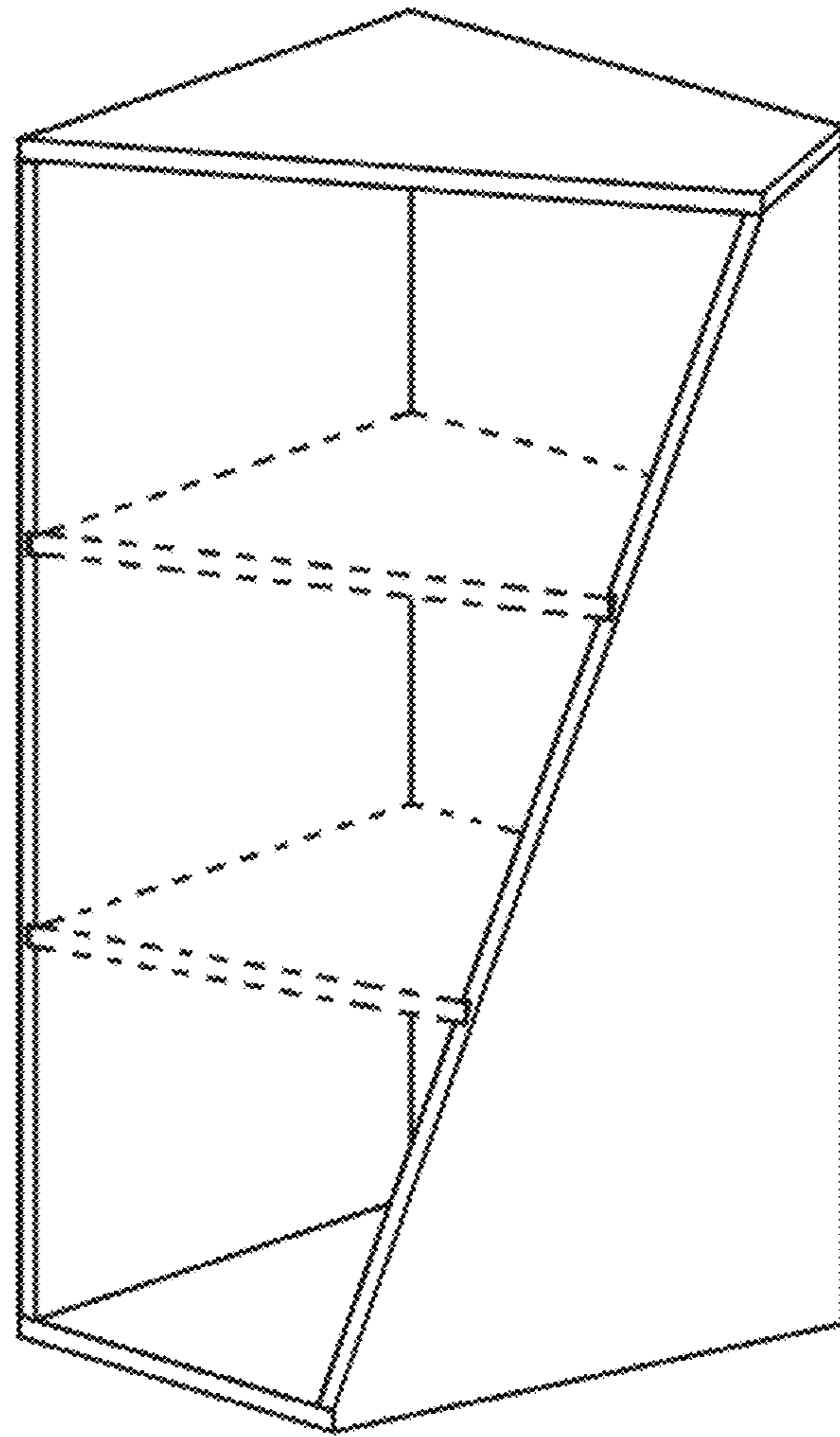


FIG. 8

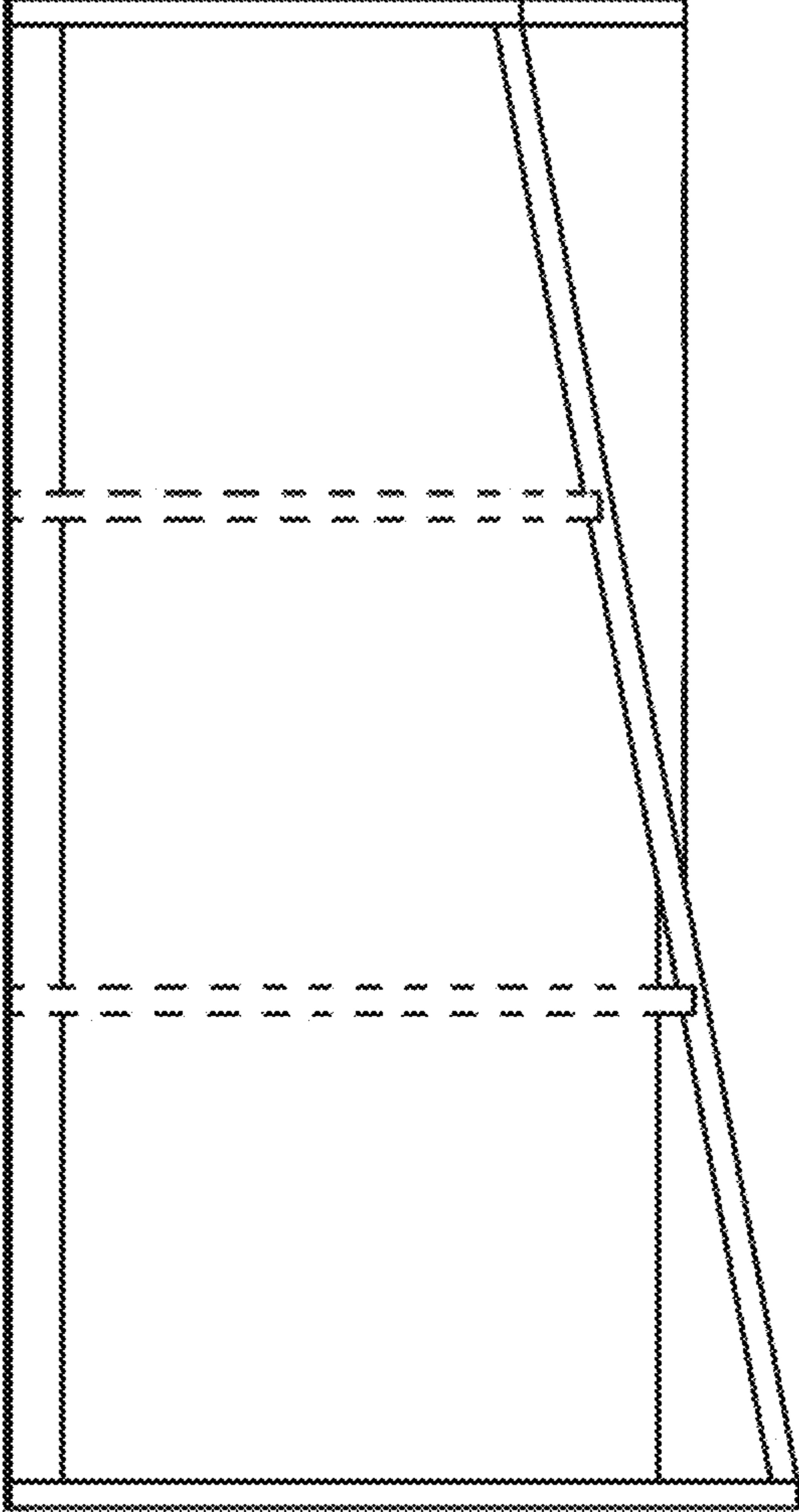
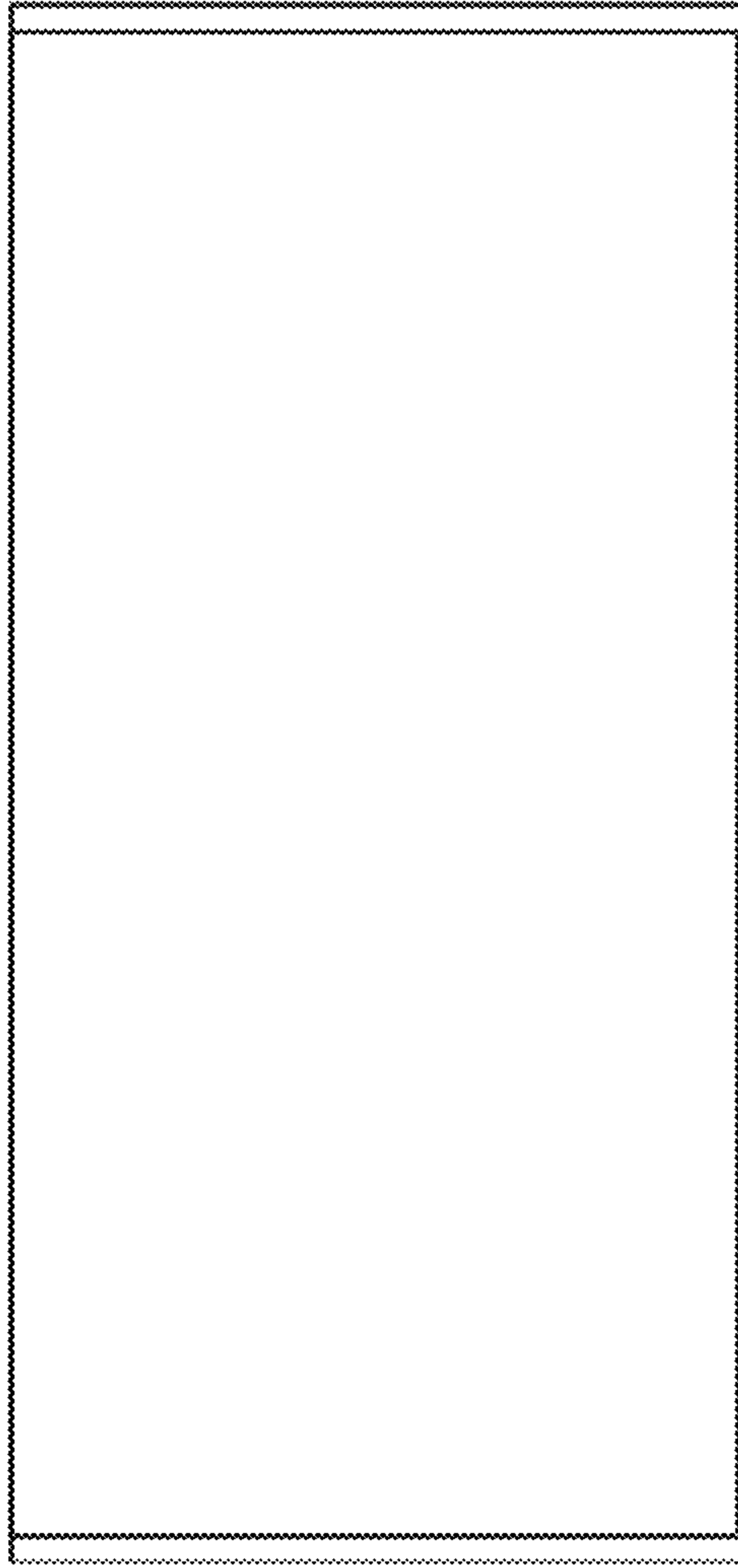
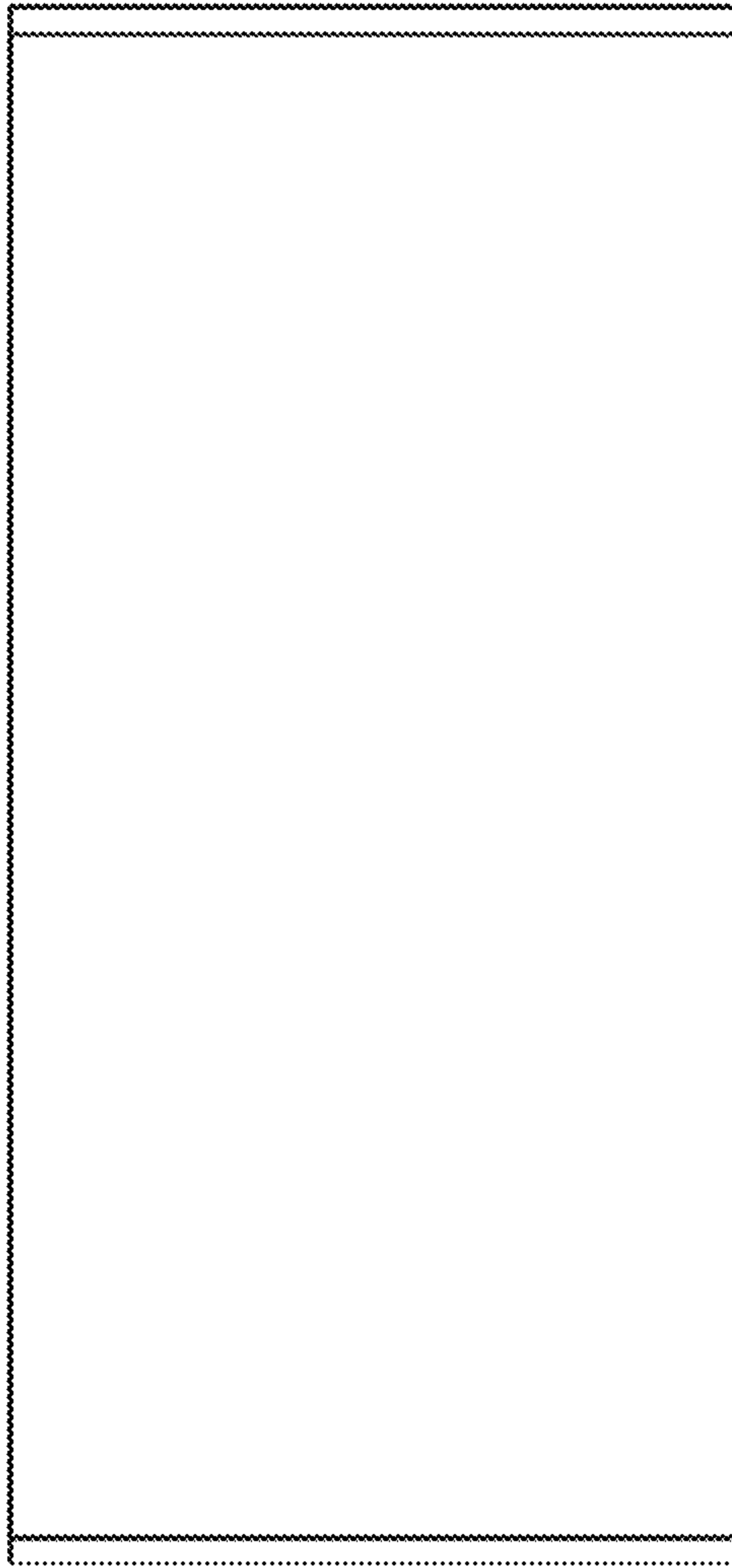


FIG. 9



**FIG. 10**



**FIG. 11**

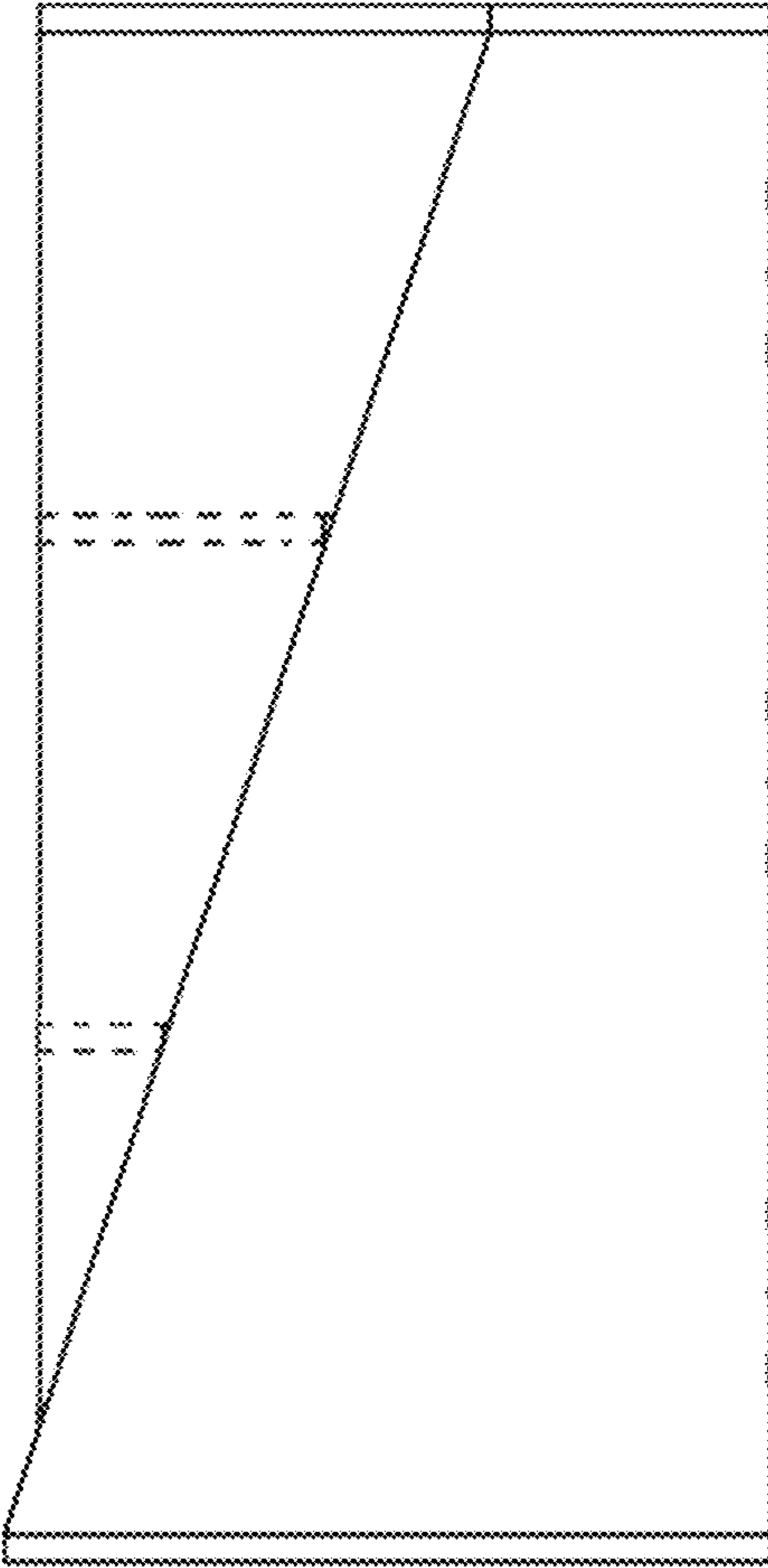


FIG. 12

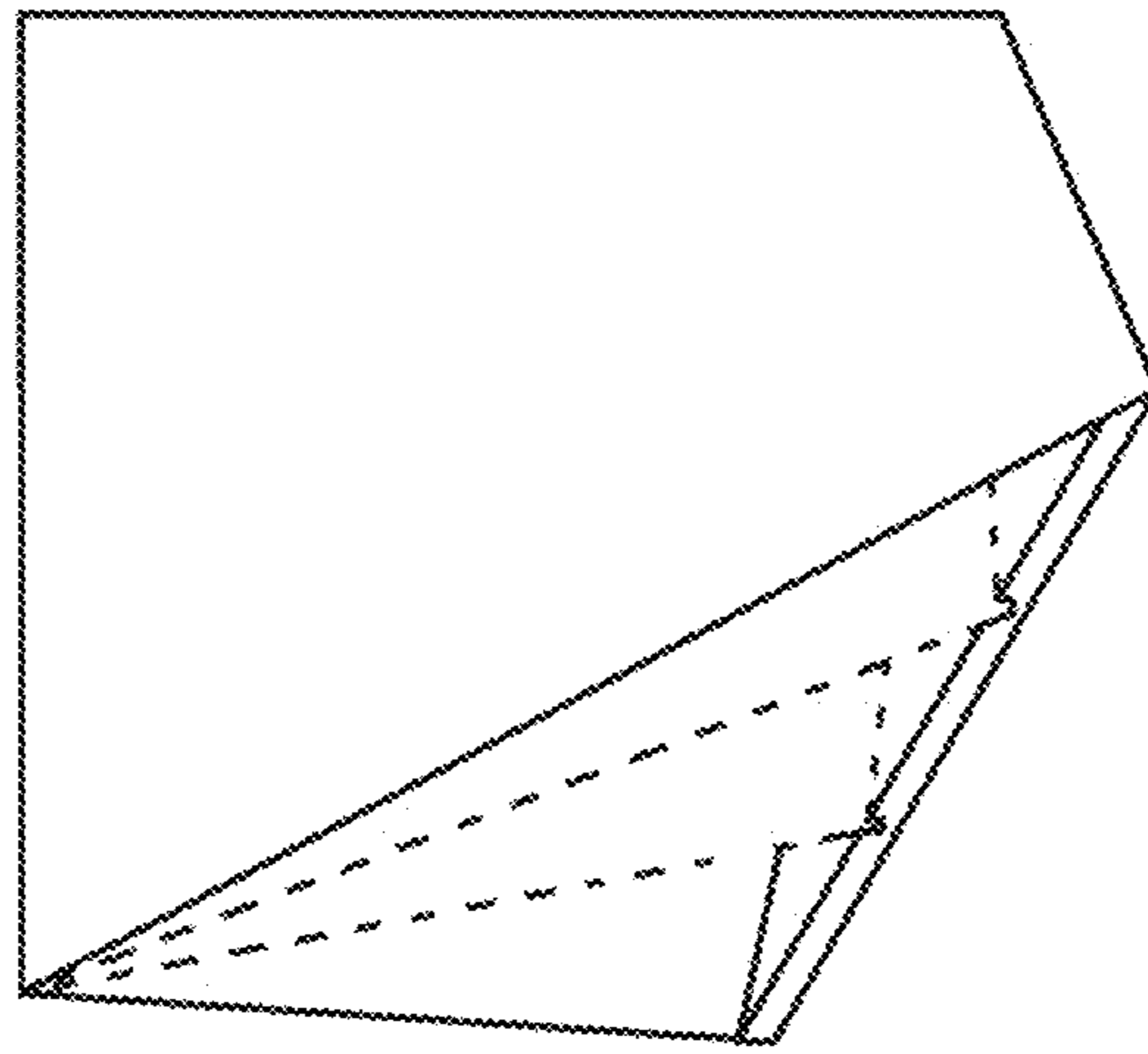
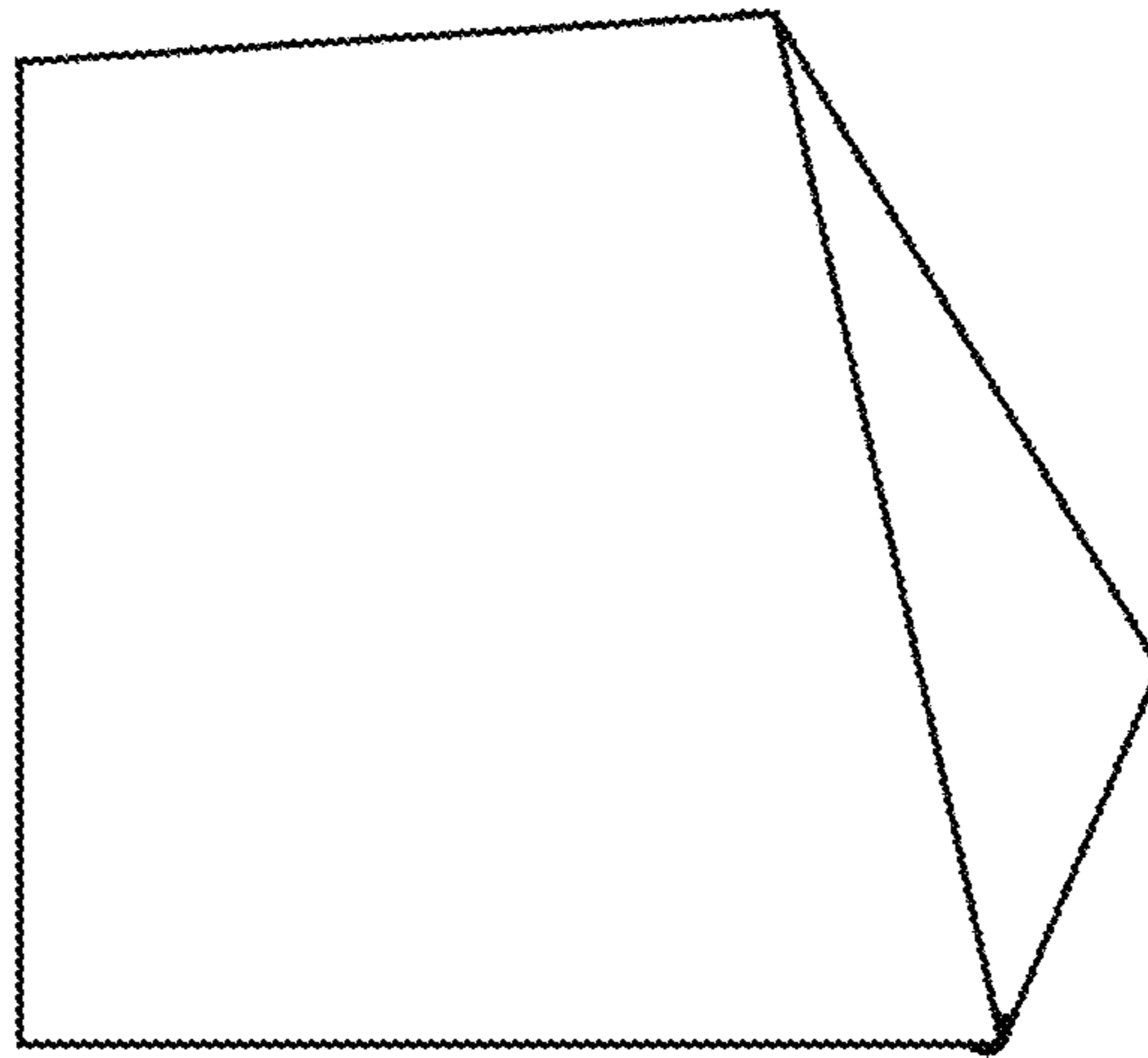


FIG. 13



**FIG. 14**



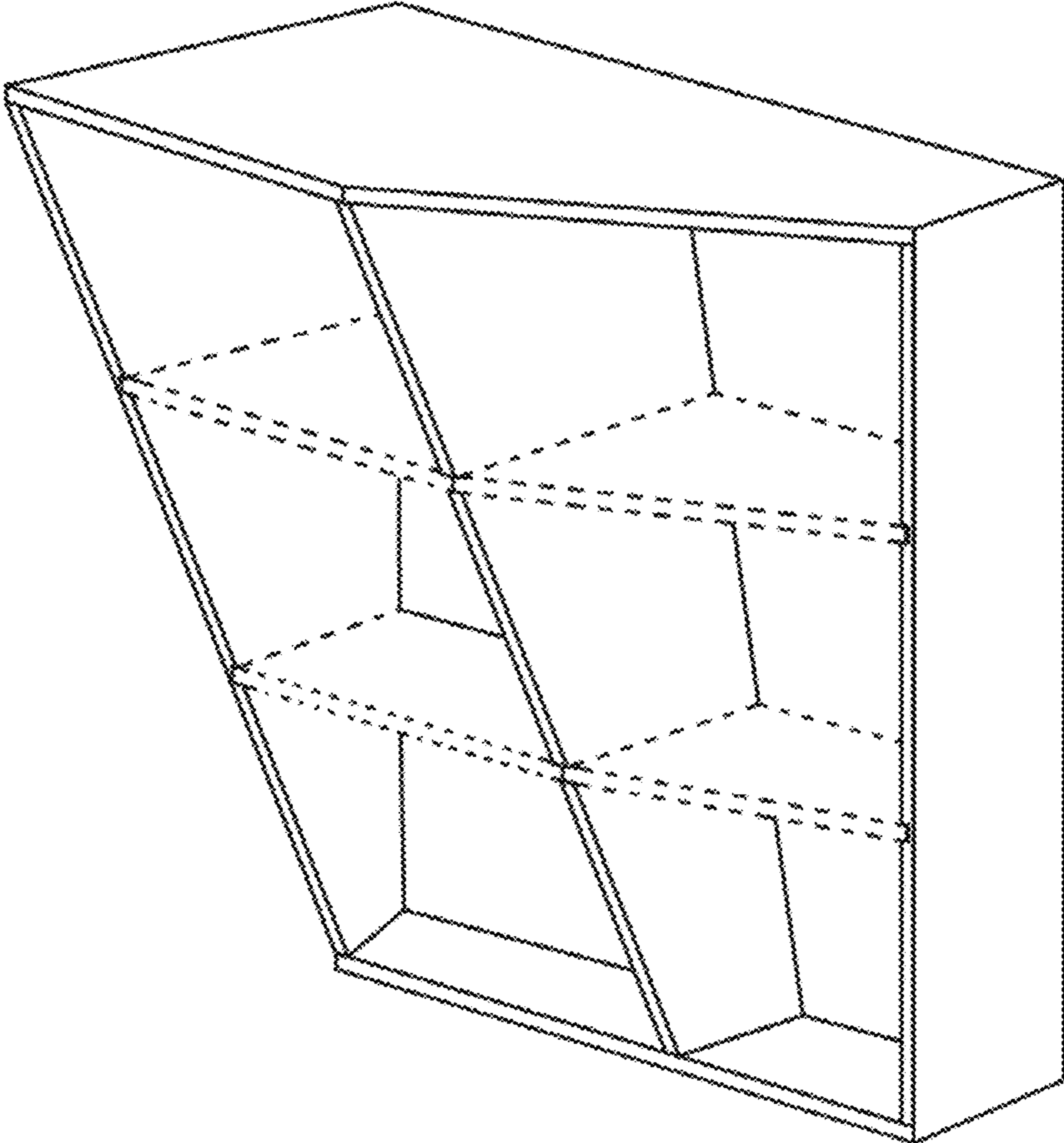


FIG. 15

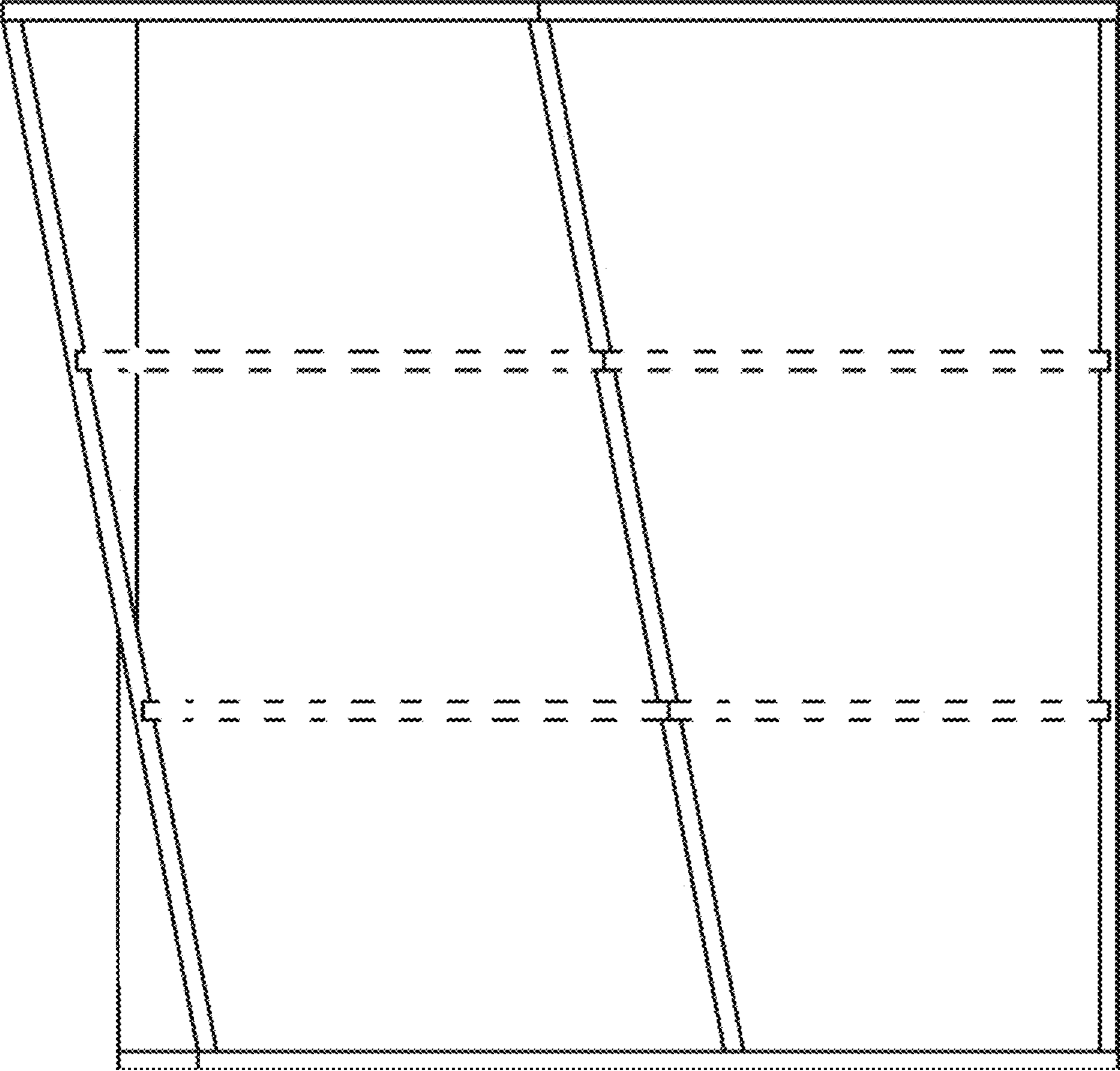
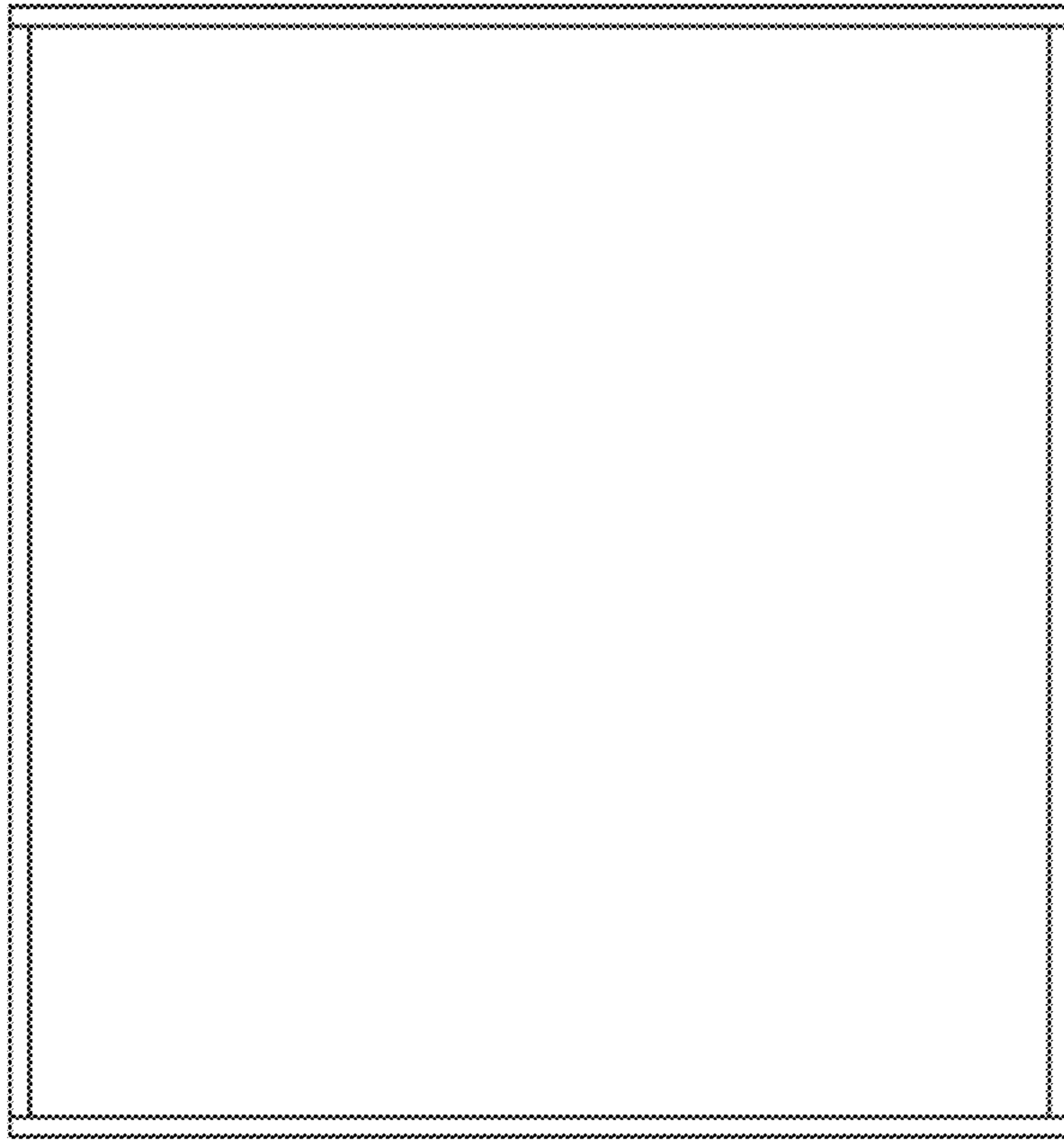


FIG. 16



**FIG. 17**

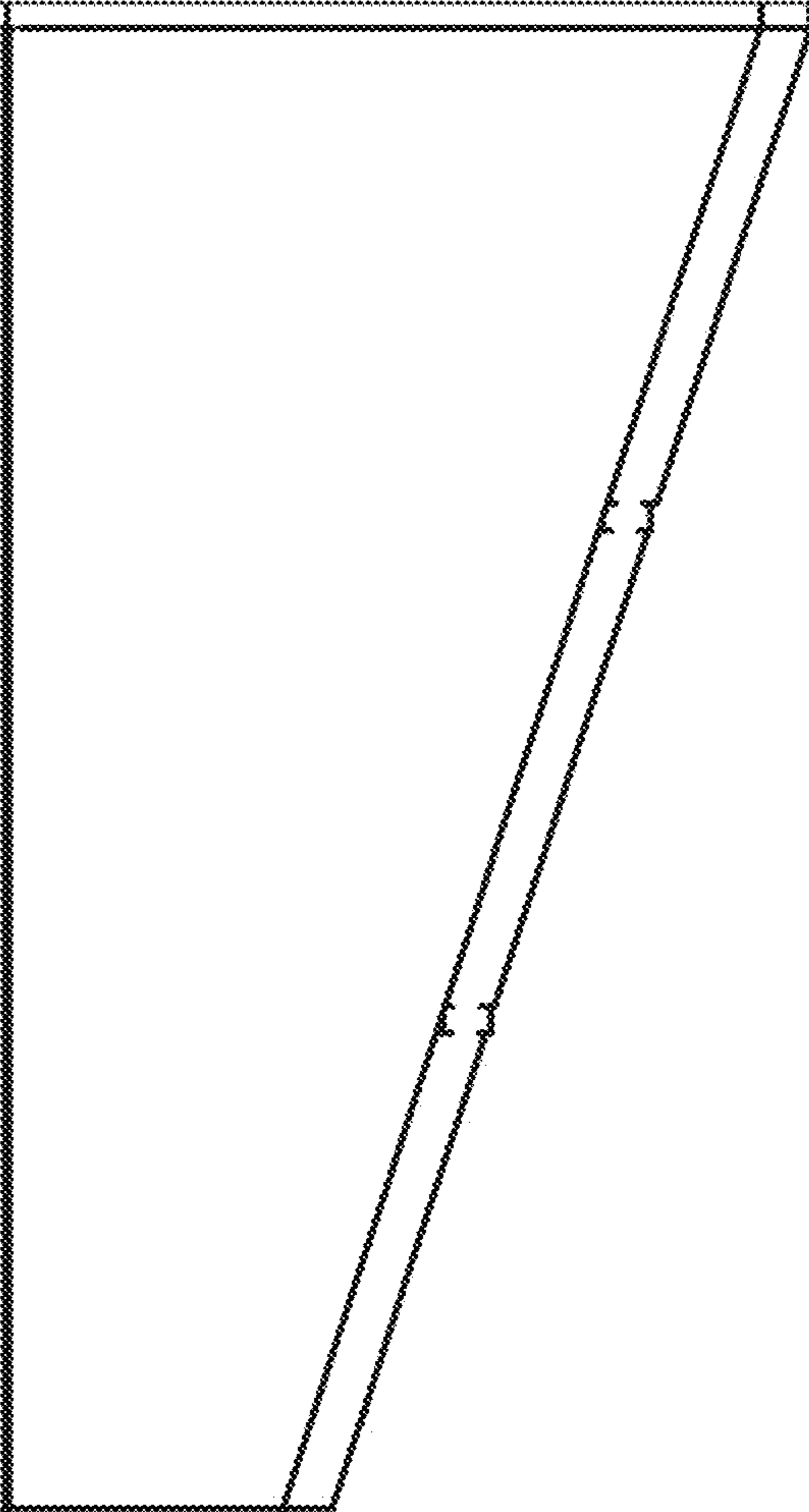


FIG. 18

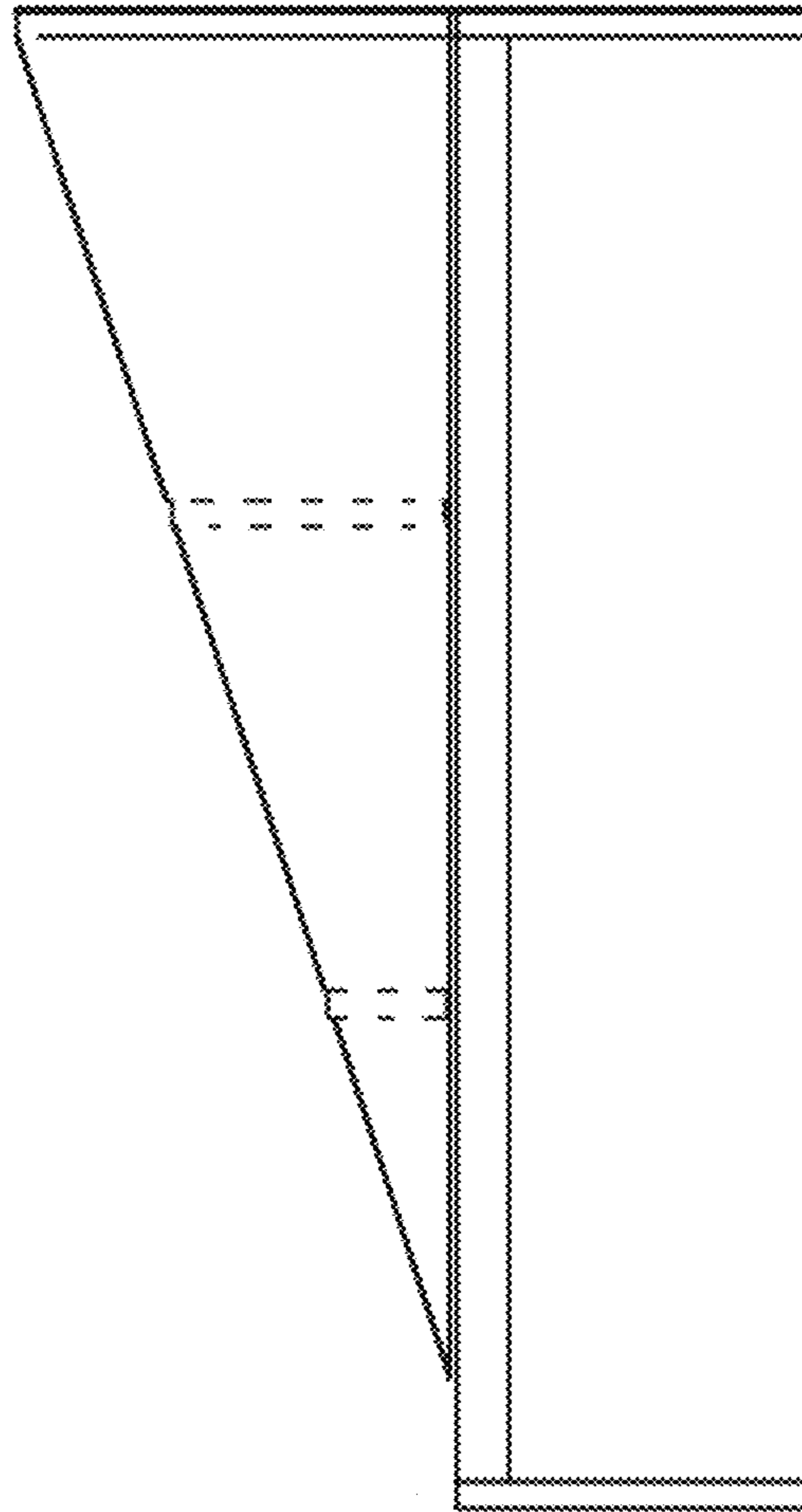


FIG. 19

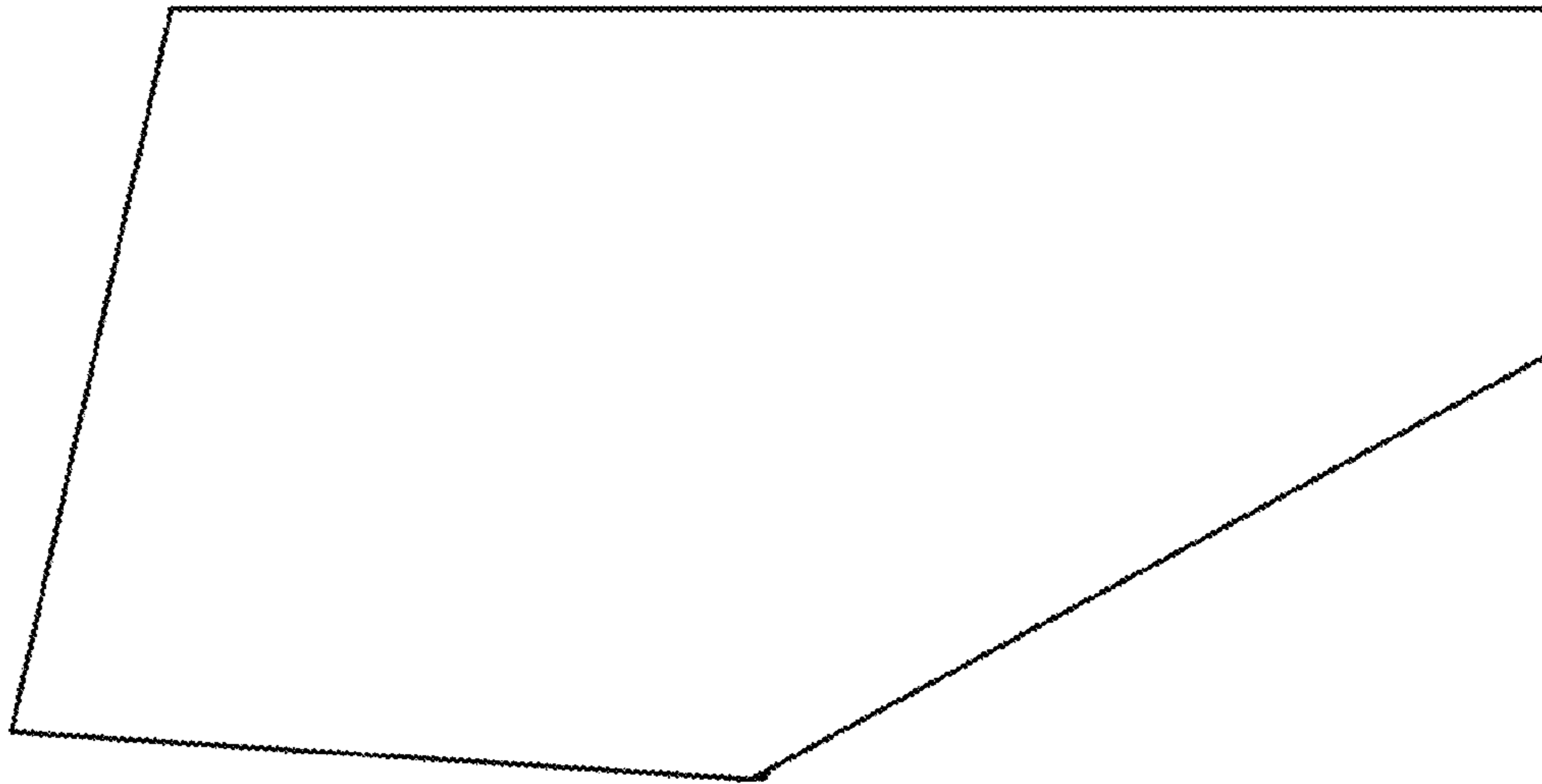


FIG. 20

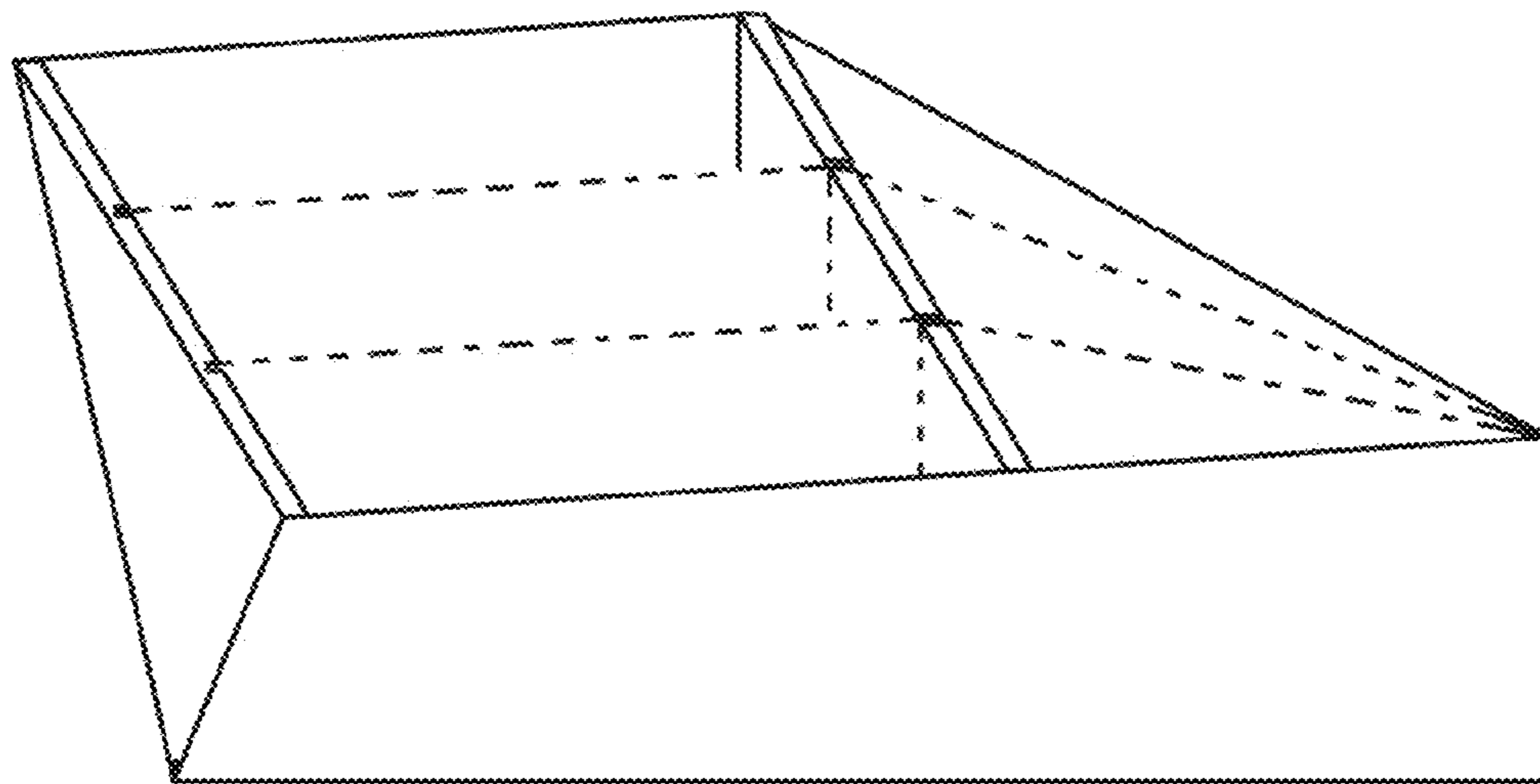


FIG. 21

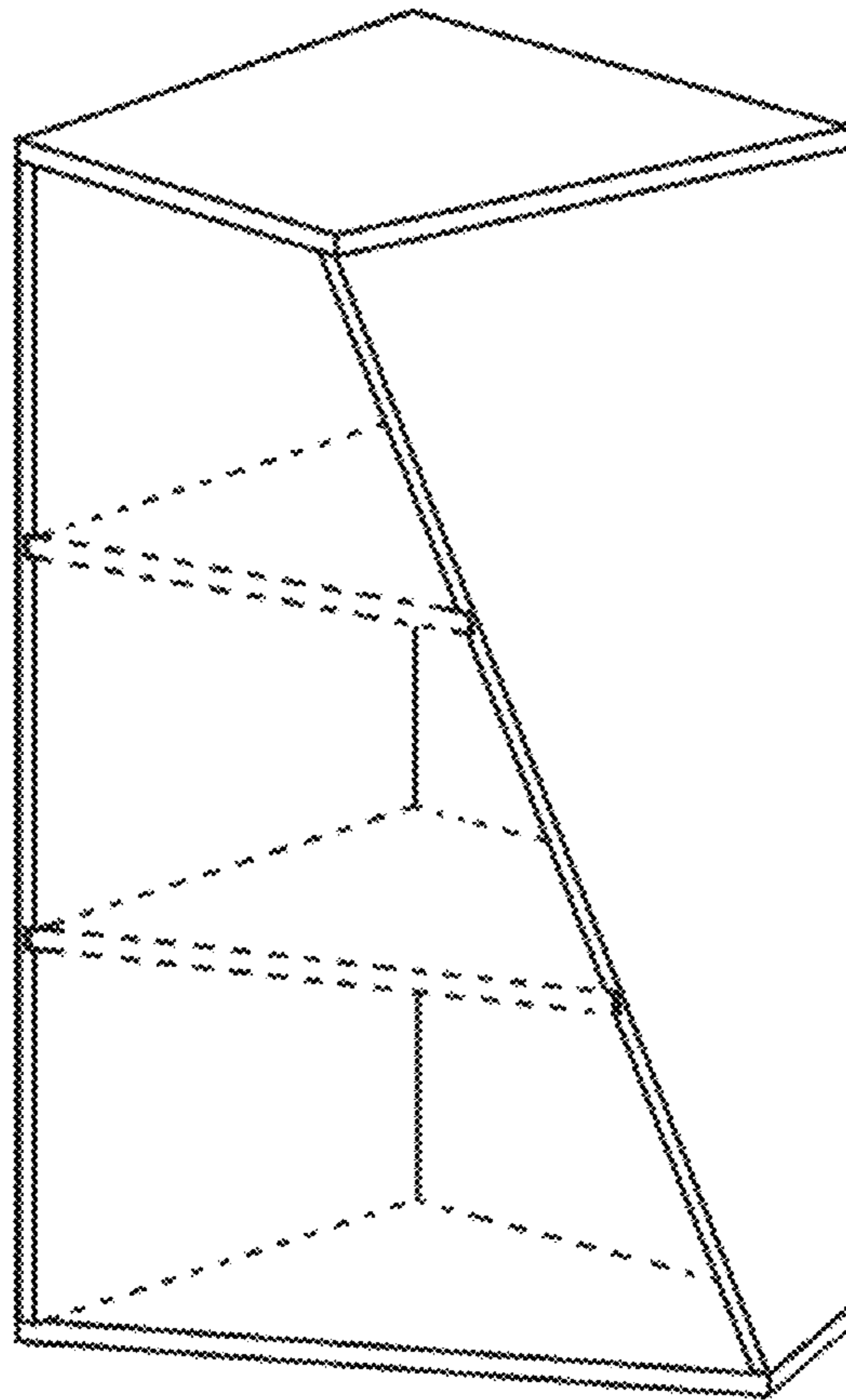


FIG. 22

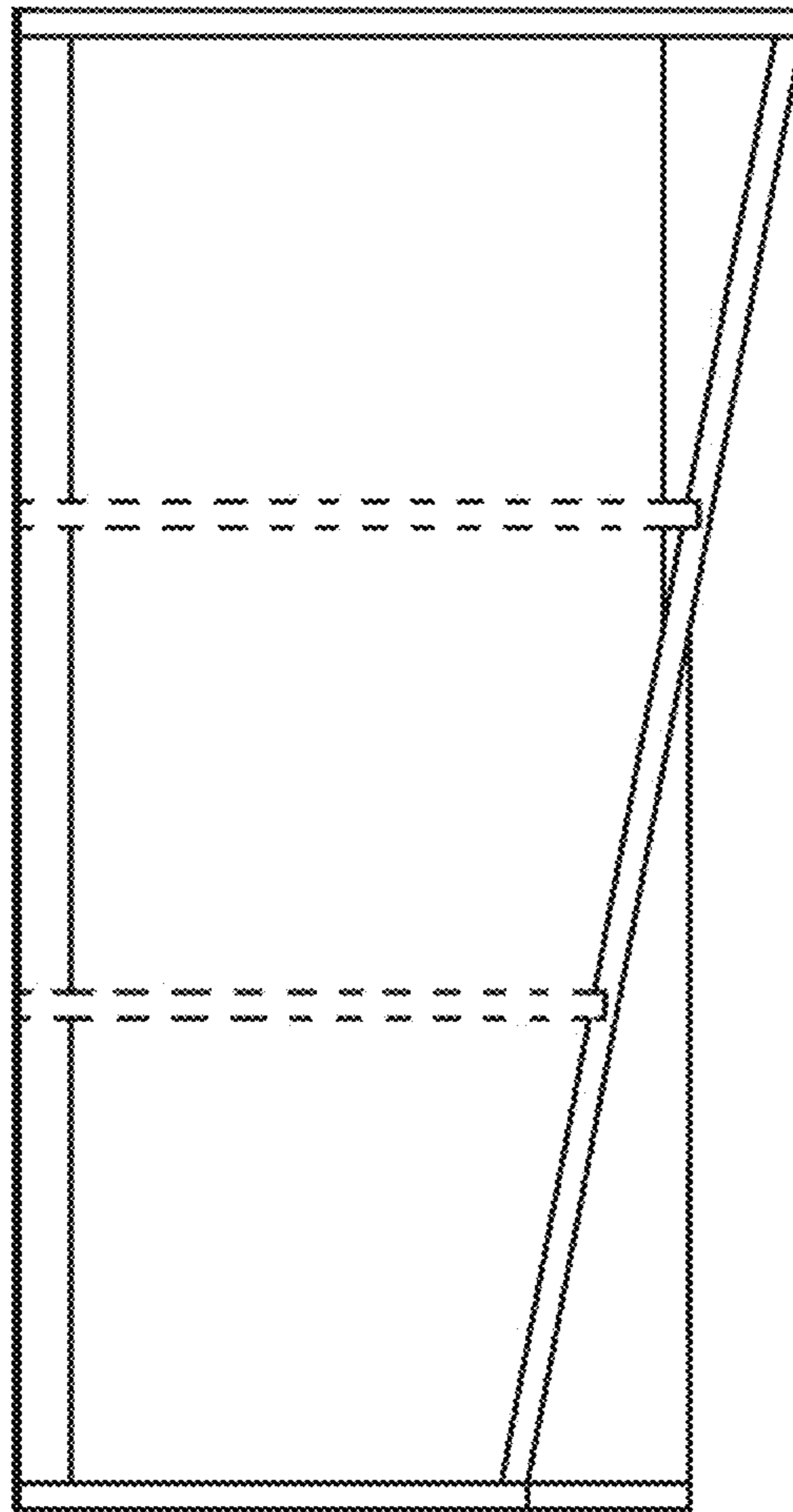


FIG. 23



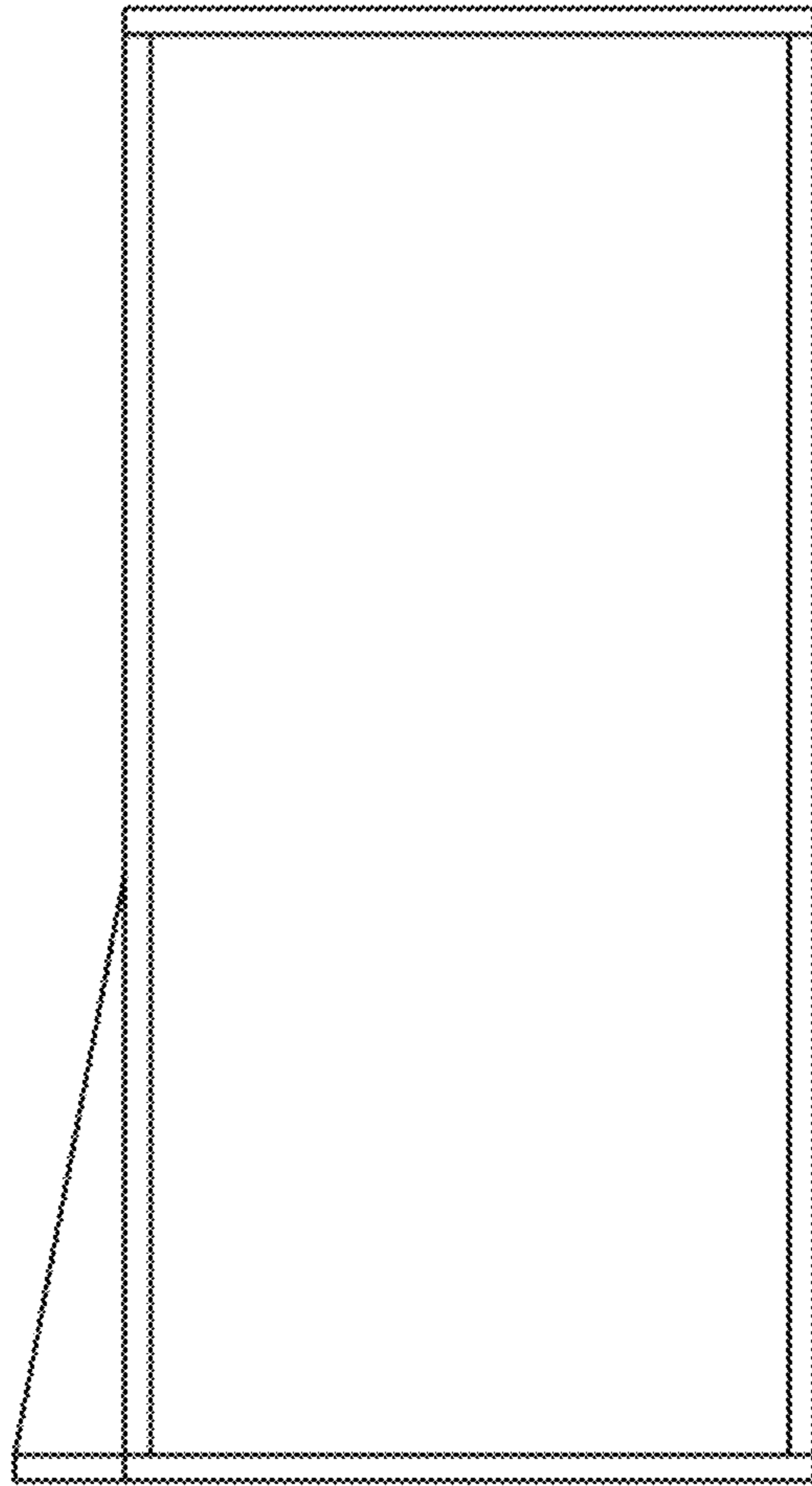
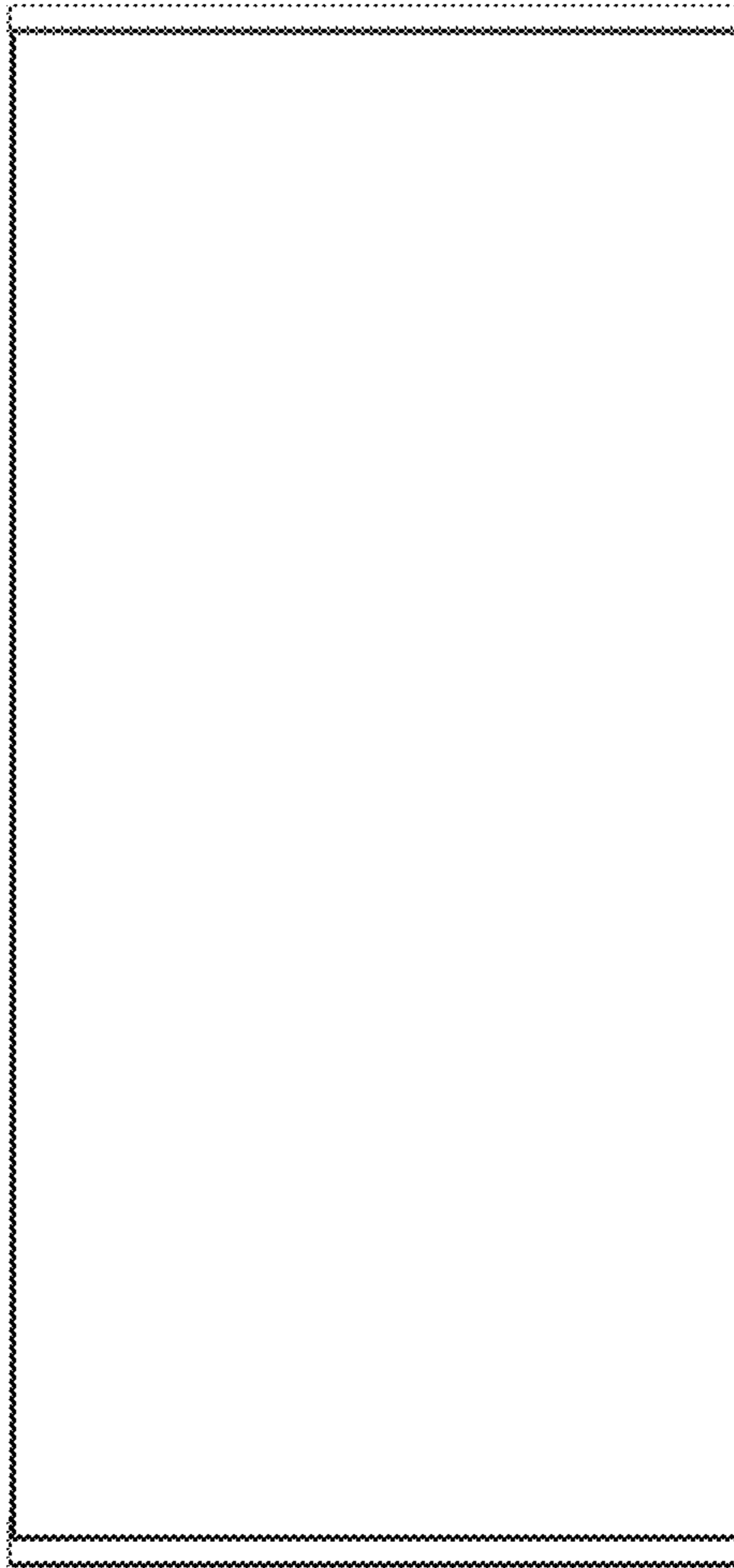


FIG. 24



**FIG. 25**

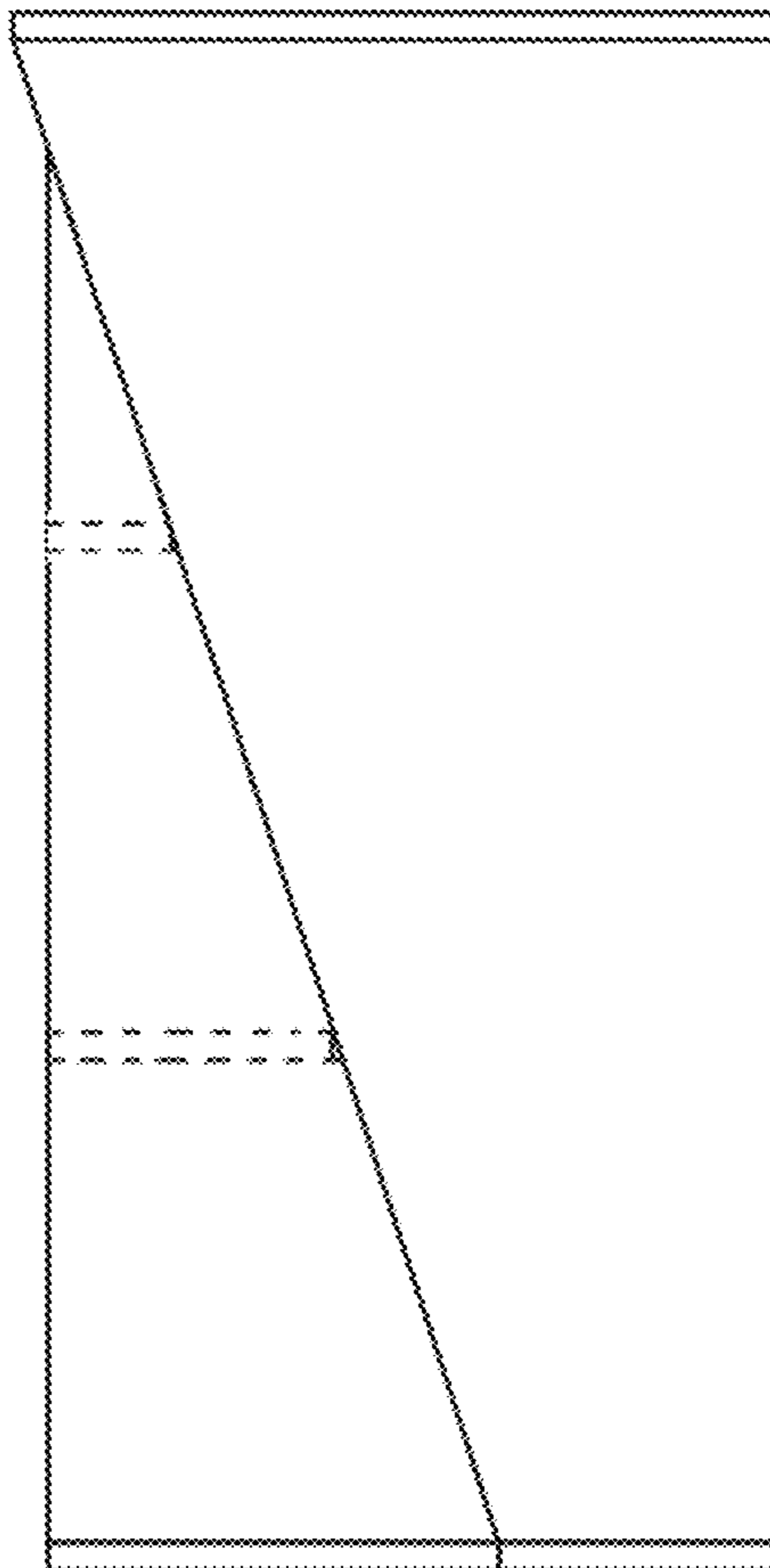


FIG. 26

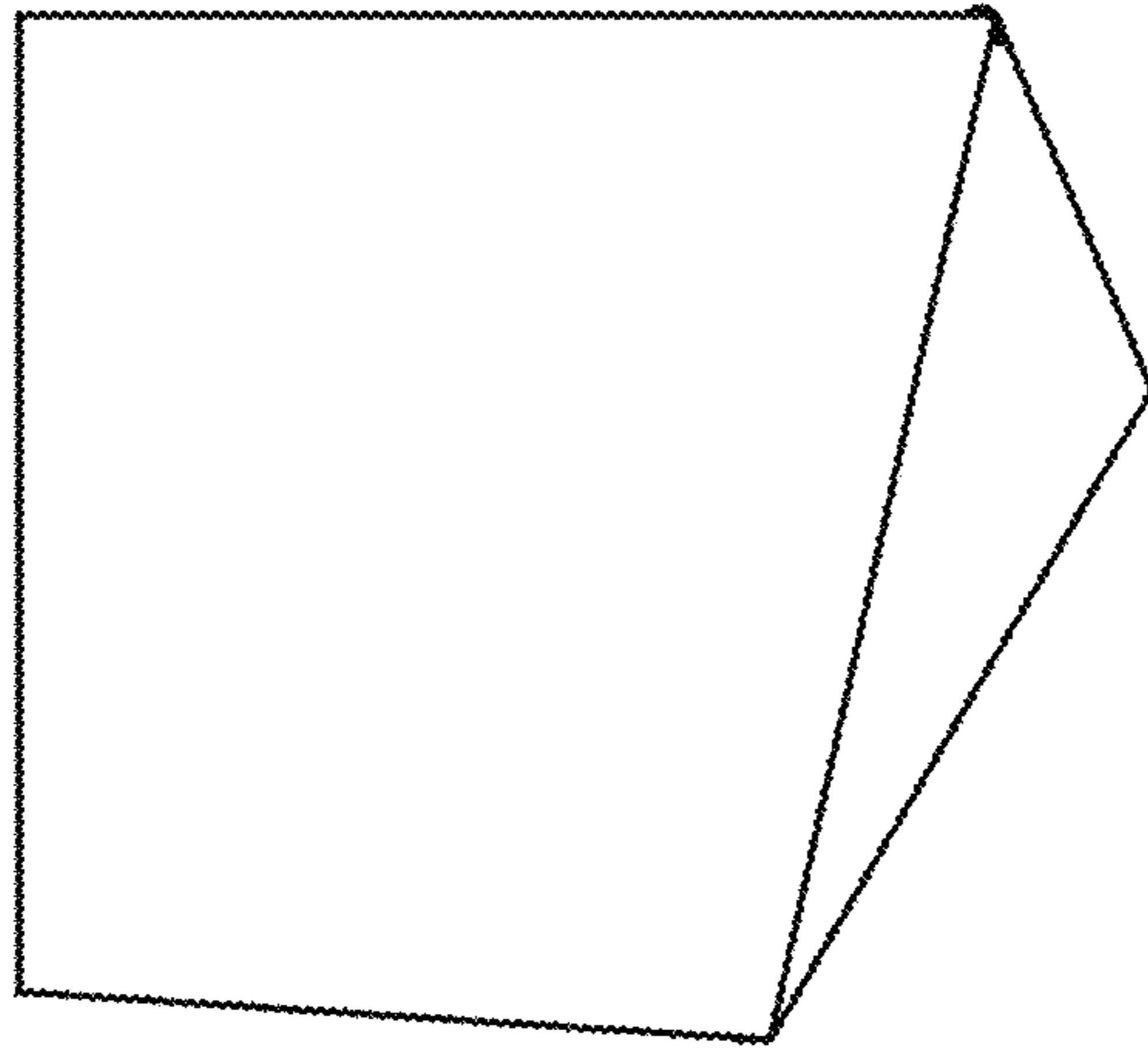


FIG. 27

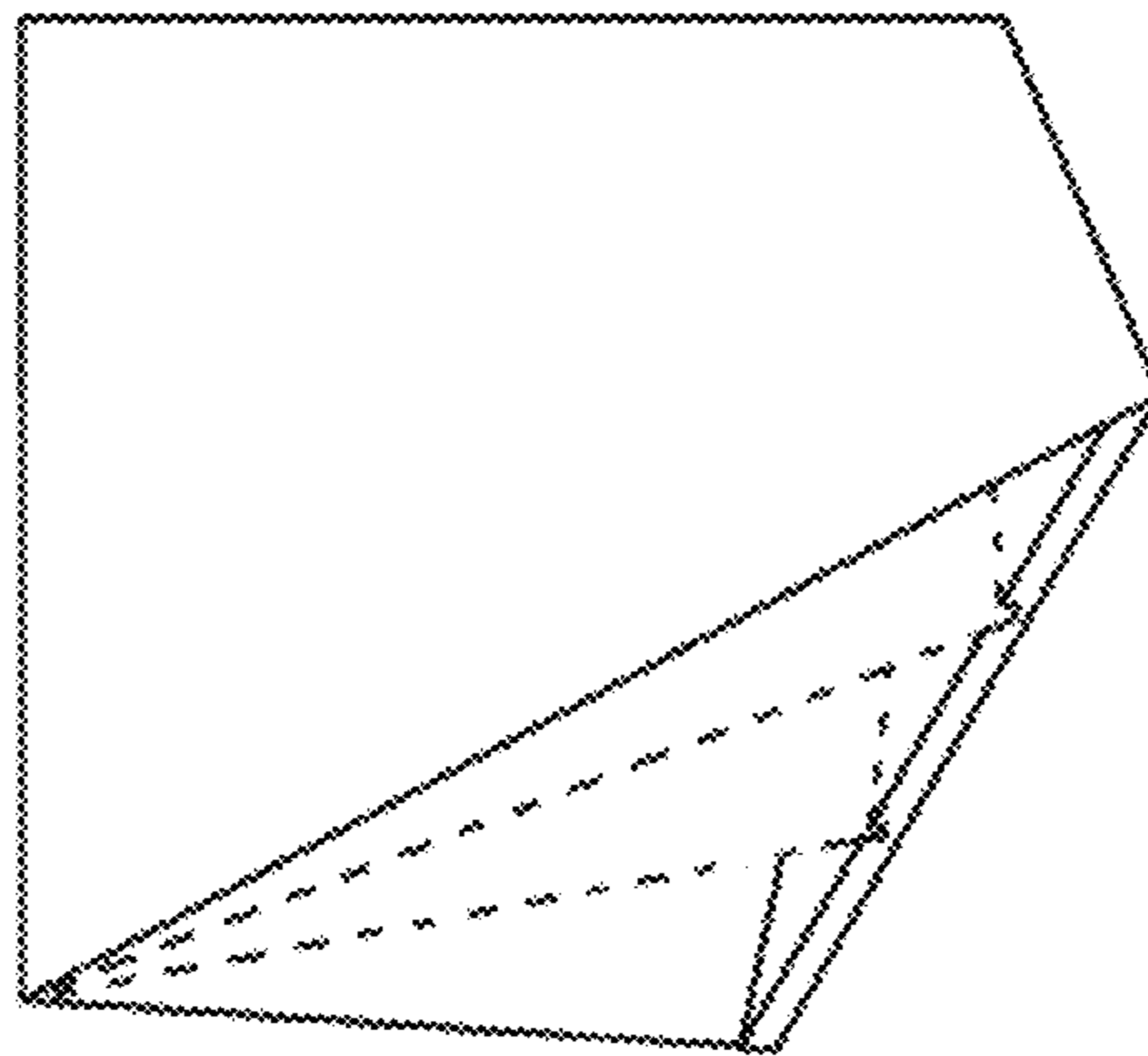


FIG. 28

UNITED STATES PATENT AND TRADEMARK OFFICE  
**CERTIFICATE OF CORRECTION**

PATENT NO. : D744,773 S  
APPLICATION NO. : 29/462726  
DATED : December 8, 2015  
INVENTOR(S) : Jeannie Meejin Yoon

Page 1 of 1

It is certified that error appears in the above-identified patent and that said Letters Patent is hereby corrected as shown below:

Title Page:

Change the following:

“(71) Applicant: Street Lab, Inc., New York, NY (US)”

to

--(71) Applicant: Street Lab, Inc. d/b/a The Uni Project,  
New York, NY (US)--, and

“(73) Assignee: Street Lab, Inc., New York, NY (US)”

to

--(73) Assignee: Street Lab, Inc. d/b/a The Uni Project,  
New York, NY (US)--.

Signed and Sealed this  
Twenty-fourth Day of May, 2016



Michelle K. Lee  
Director of the United States Patent and Trademark Office