



US00D744772S

(12) **United States Design Patent**
Cook

(10) **Patent No.:** **US D744,772 S**
(45) **Date of Patent:** **** Dec. 8, 2015**

- (54) **BALL DISPLAY CASE**
- (71) Applicant: **Deanna D. Cook**, Henrico, VA (US)
- (72) Inventor: **Deanna D. Cook**, Henrico, VA (US)
- (**) Term: **14 Years**
- (21) Appl. No.: **29/470,261**
- (22) Filed: **Oct. 18, 2013**
- (51) **LOC (10) Cl.** **06-06**
- (52) **U.S. Cl.**
USPC **D6/677**
- (58) **Field of Classification Search**
USPC D6/329, 552, 553, 677-678, 682,
D6/682.1; D21/385, 662, 698
CPC A63B 47/00; A47F 3/005
See application file for complete search history.

(56) **References Cited**

U.S. PATENT DOCUMENTS

- D346,520 S * 5/1994 Barfield D6/552
- D363,184 S * 10/1995 Elhage D6/552

(Continued)

Primary Examiner — Kelley Donnelly

(74) *Attorney, Agent, or Firm* — Brian J. Teague

(57) **CLAIM**

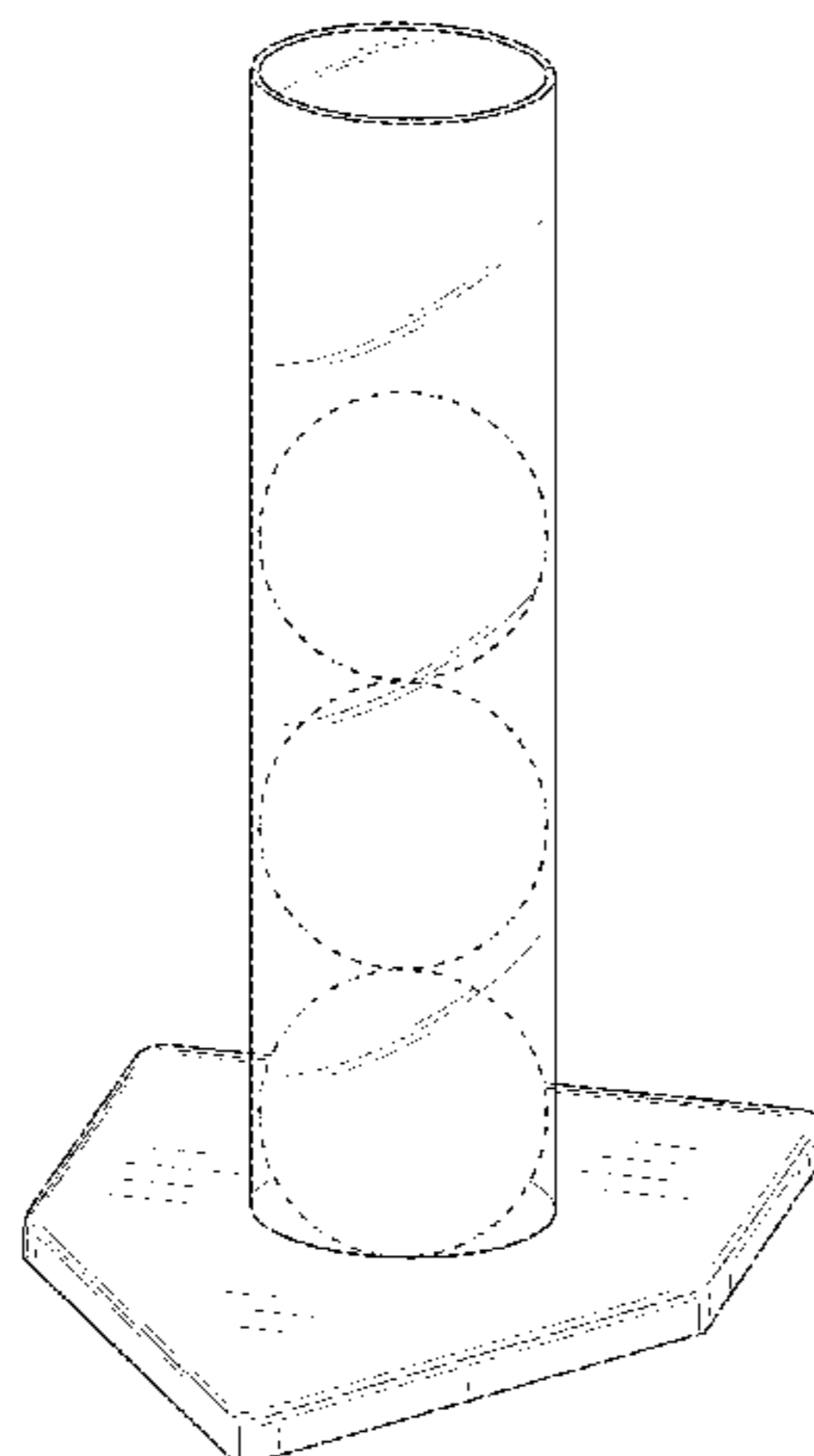
I claim the ornamental design for a ball display case, as shown and described.

DESCRIPTION

- FIG. 1 is a perspective view of a ball display case showing the new design, shown with balls displayed therein.
- FIG. 2 is a perspective view thereof, shown empty.
- FIG. 3 is a front view thereof.
- FIG. 4 is a rear view thereof.
- FIG. 5 is a left side view thereof.
- FIG. 6 is a right side view thereof.
- FIG. 7 is a top view thereof.
- FIG. 8 is a bottom view thereof.

- FIG. 9 is a perspective view of an alternative embodiment of a ball display case, shown with balls displayed therein.
 - FIG. 10 is a perspective view thereof, shown empty.
 - FIG. 11 is a front view thereof.
 - FIG. 12 is a rear view thereof.
 - FIG. 13 is a left side view thereof.
 - FIG. 14 is a right side view thereof.
 - FIG. 15 is a top view thereof.
 - FIG. 16 is a bottom view thereof.
 - FIG. 17 is a perspective view of an alternative embodiment of a ball display case, shown with balls displayed therein.
 - FIG. 18 is a perspective view thereof, shown empty.
 - FIG. 19 is a front view thereof.
 - FIG. 20 is a rear view thereof.
 - FIG. 21 is a left side view thereof.
 - FIG. 22 is a right side view thereof.
 - FIG. 23 is a top view thereof.
 - FIG. 24 is a bottom view thereof.
 - FIG. 25 is a perspective view of an alternative embodiment of a ball display case, shown with balls displayed therein.
 - FIG. 26 is a perspective view thereof, shown empty.
 - FIG. 27 is a front view thereof.
 - FIG. 28 is a rear view thereof.
 - FIG. 29 is a right side view thereof.
 - FIG. 30 is a left side view thereof.
 - FIG. 31 is a top view thereof.
 - FIG. 32 is a bottom view thereof.
 - FIG. 33 is a perspective view of an alternative embodiment of a ball display case, shown with balls displayed therein.
 - FIG. 34 is a perspective view thereof, shown empty.
 - FIG. 35 is a front view thereof.
 - FIG. 36 is a rear view thereof.
 - FIG. 37 is a left side view thereof.
 - FIG. 38 is a right side view thereof.
 - FIG. 39 is a top view thereof.
 - FIG. 40 is a bottom view thereof.
 - FIG. 41 is a perspective view of an alternative embodiment of a ball display case, shown with balls displayed therein.
 - FIG. 42 is a perspective view thereof, shown empty.
 - FIG. 43 is a front view thereof.
 - FIG. 44 is a rear view thereof.
 - FIG. 45 is a left side view thereof.
 - FIG. 46 is a right side view thereof.
 - FIG. 47 is a top view thereof; and,
 - FIG. 48 is a bottom view thereof.
- In the drawings, the broken lines shown in the figures depict unclaimed subject matter and/or environmental structure, and form no part of the claimed design.

1 Claim, 47 Drawing Sheets



(56)

References Cited

U.S. PATENT DOCUMENTS

D386,533 S * 11/1997 Kvoka D20/42
D425,352 S * 5/2000 Paskan D6/552
D436,134 S * 1/2001 Aguayo, Jr. D20/10
D464,216 S * 10/2002 Rone D6/661.3

D500,535 S * 1/2005 Thompson D21/478
D544,280 S * 6/2007 Langenfeld D6/574
D604,546 S * 11/2009 Alman D6/552
D663,144 S * 7/2012 Rogers D6/552
D669,289 S * 10/2012 Rogers D6/552
D720,559 S * 1/2015 Pitti D6/661
D721,296 S * 1/2015 Colman D11/133

* cited by examiner

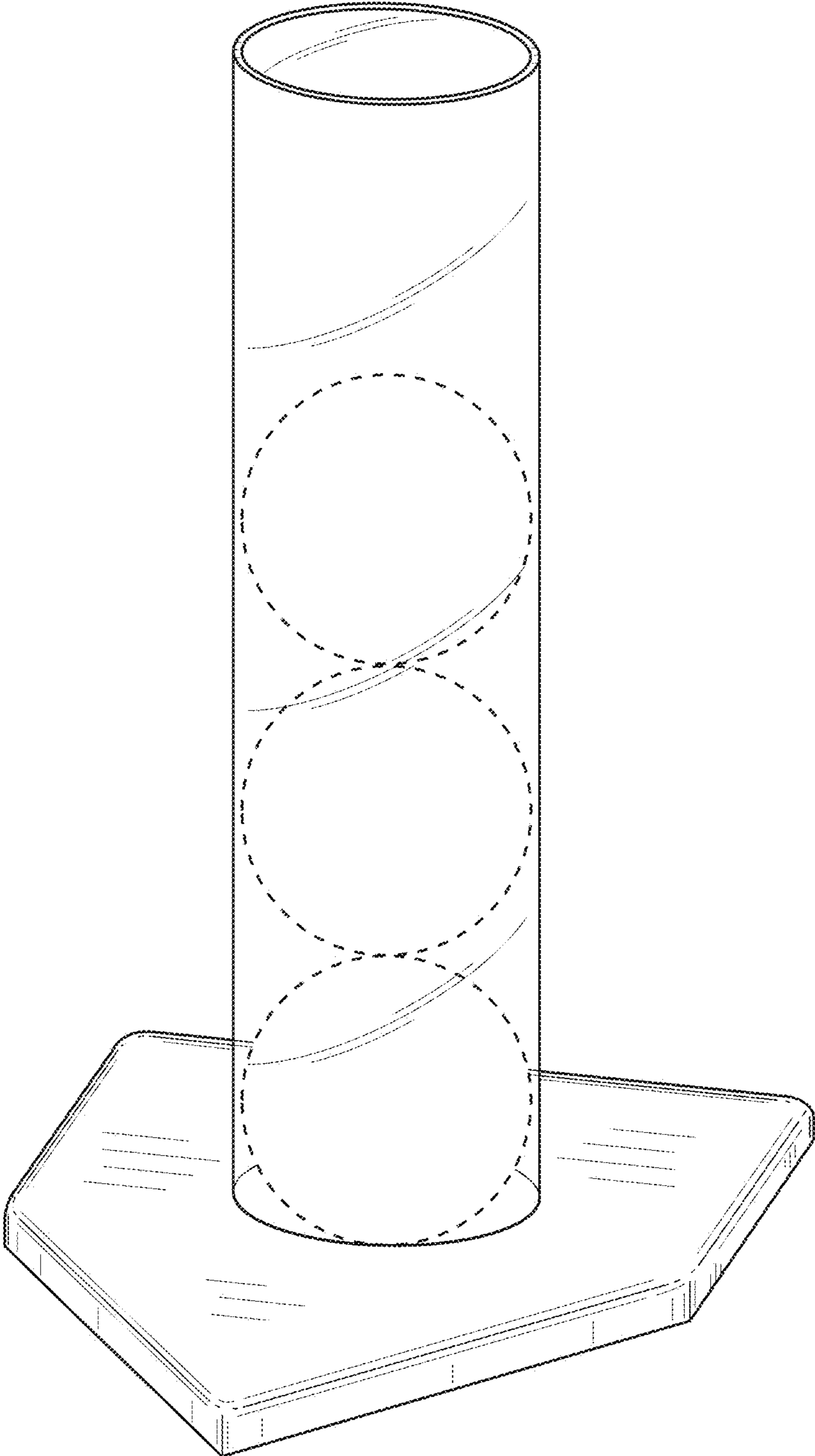


FIG. 1

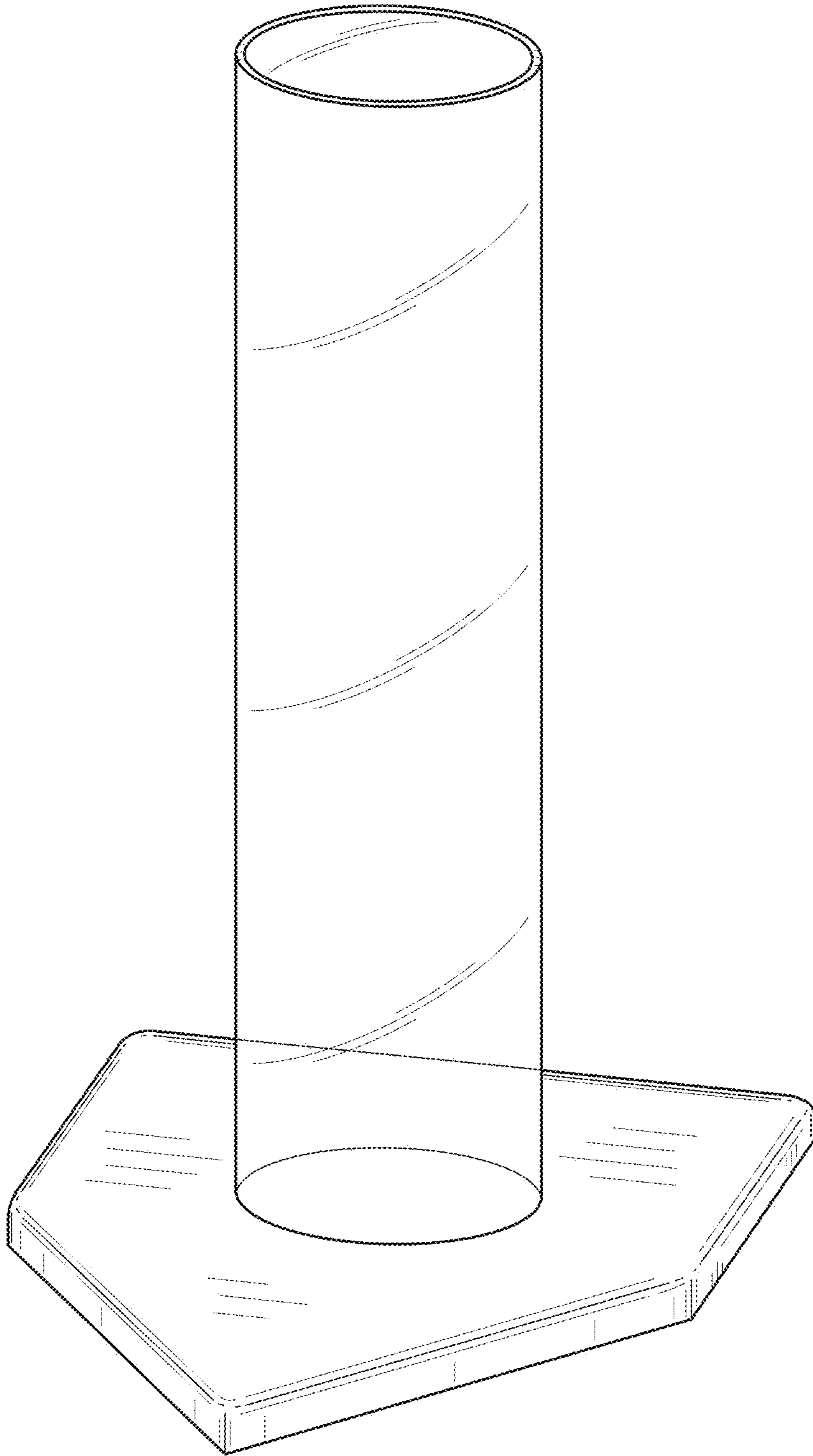


FIG. 2

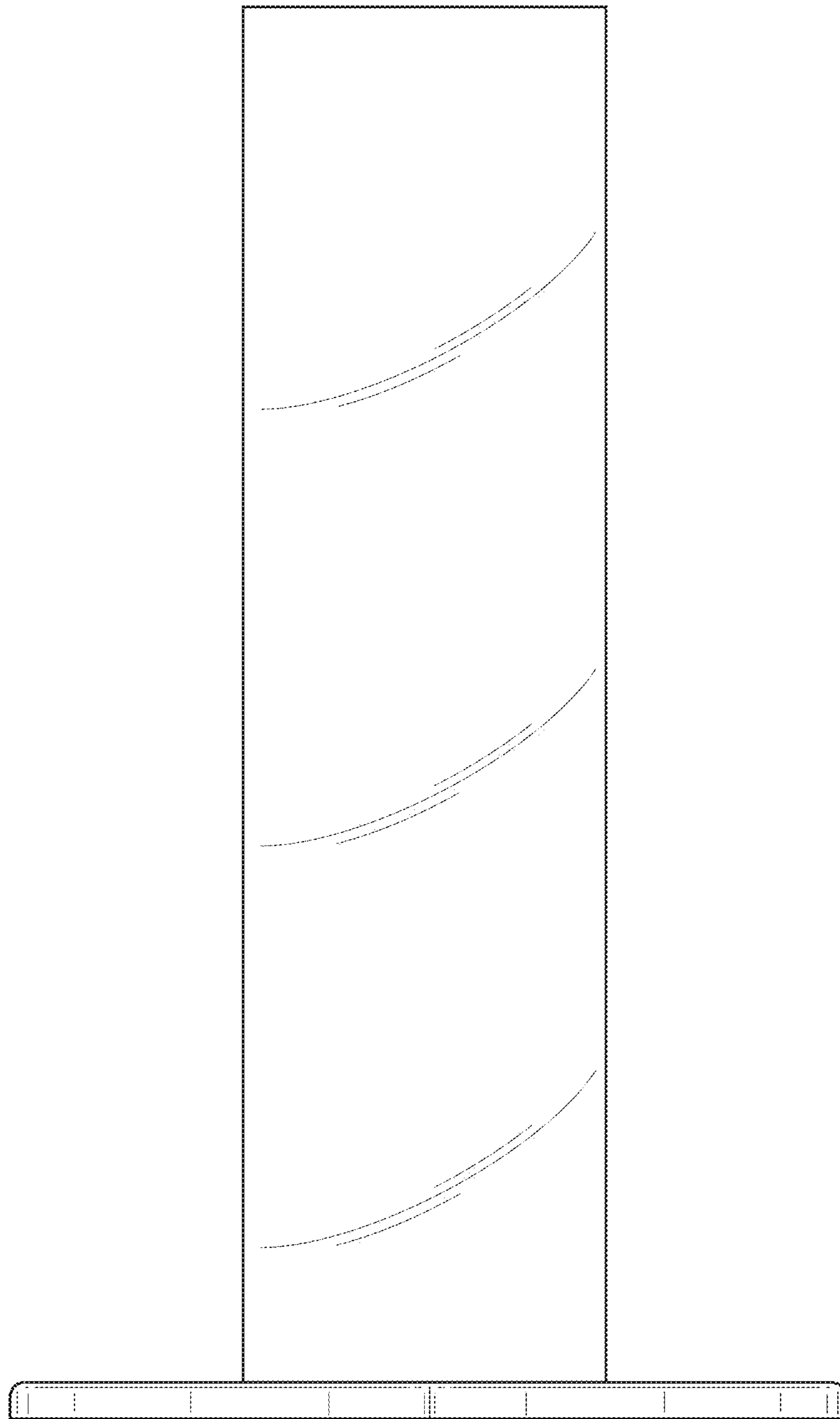


FIG. 3

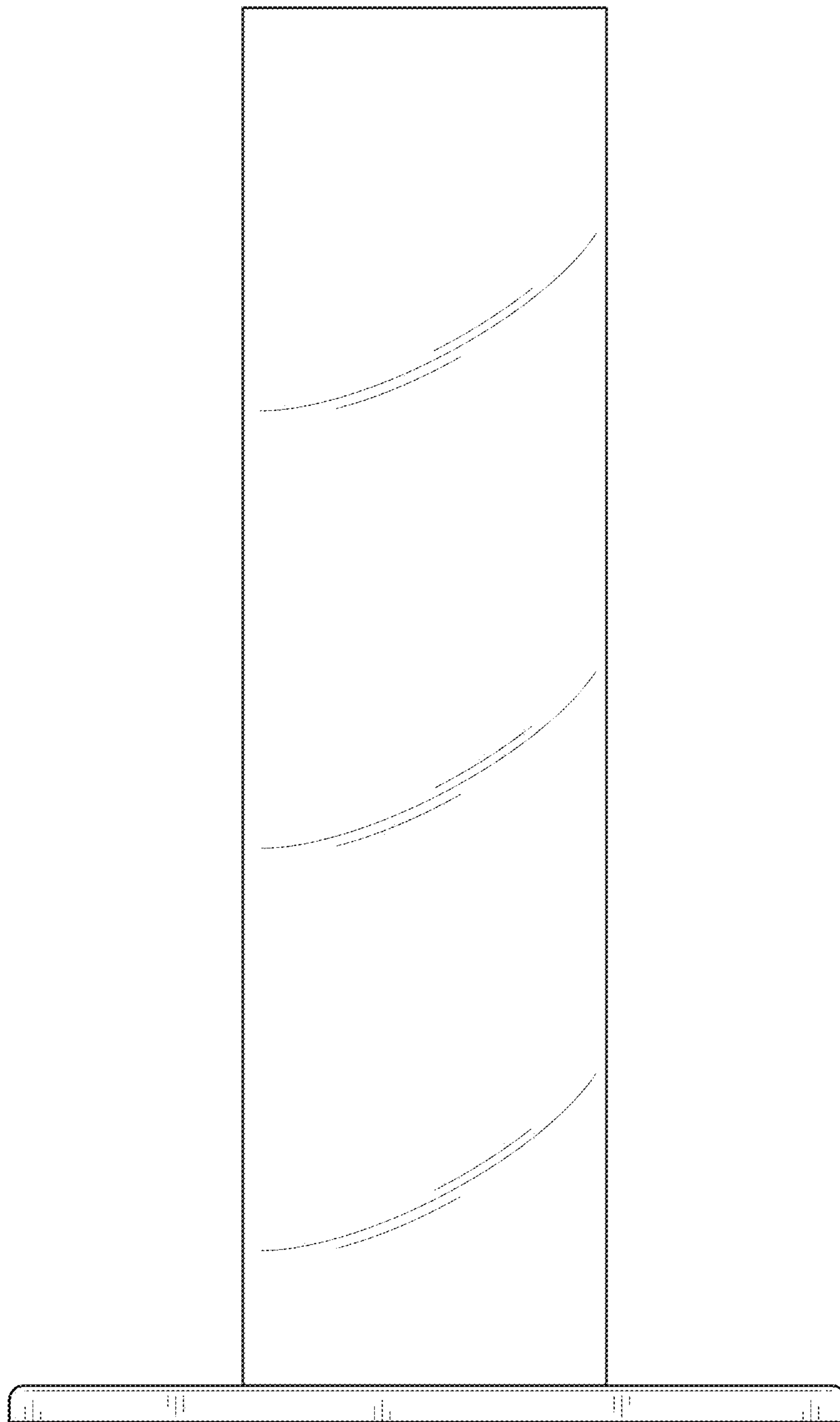


FIG. 4

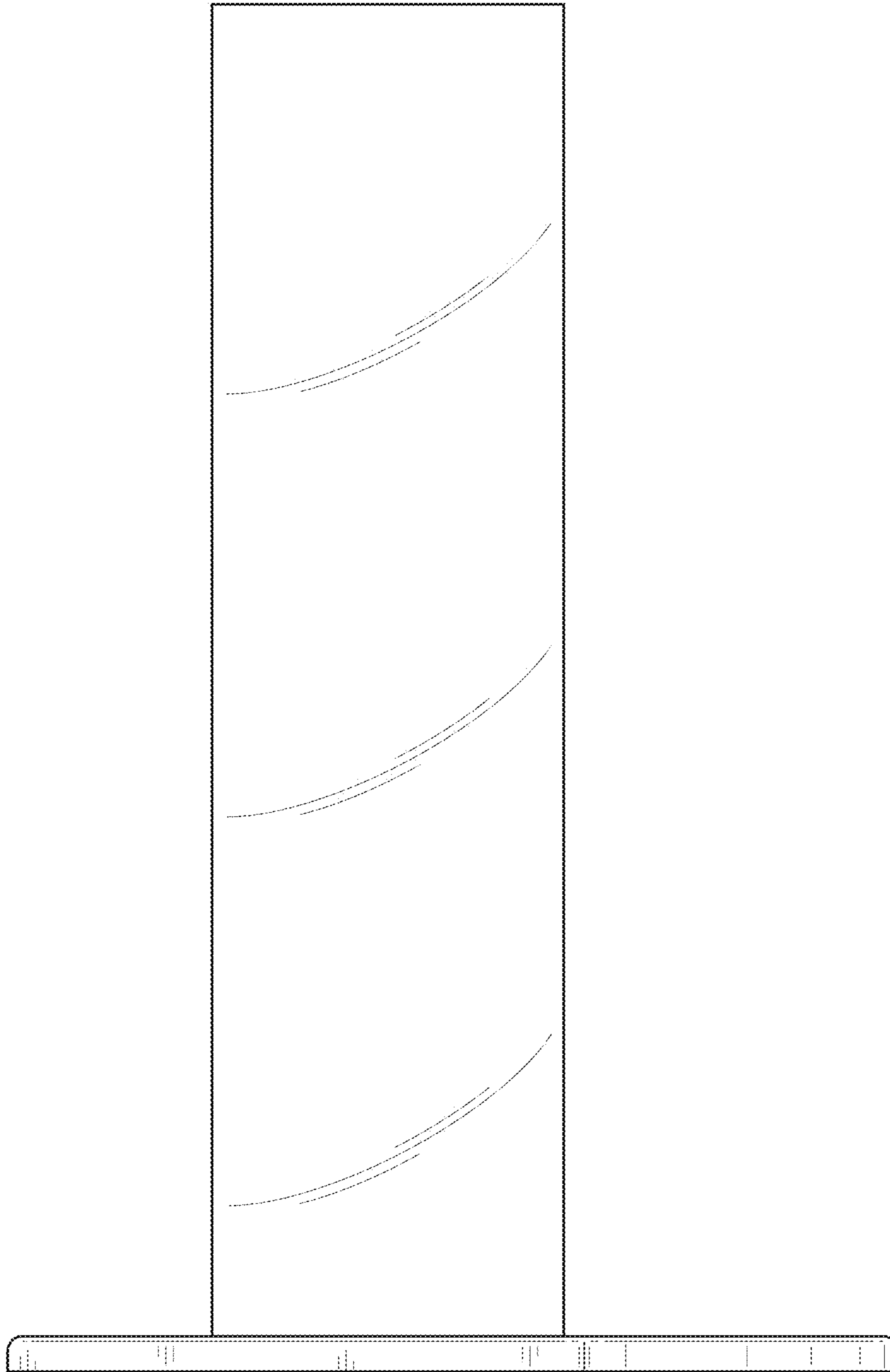


FIG. 5

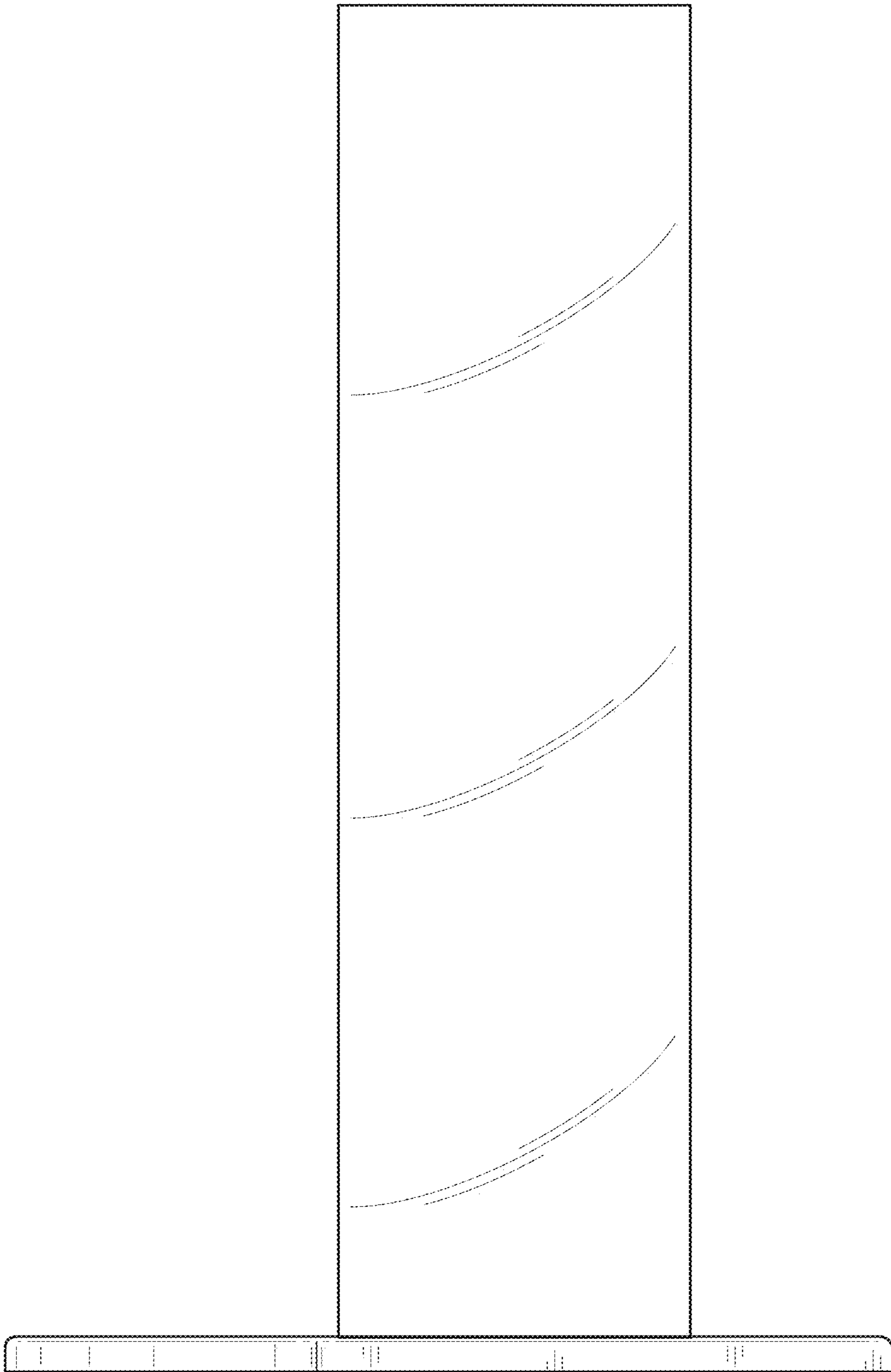


FIG. 6

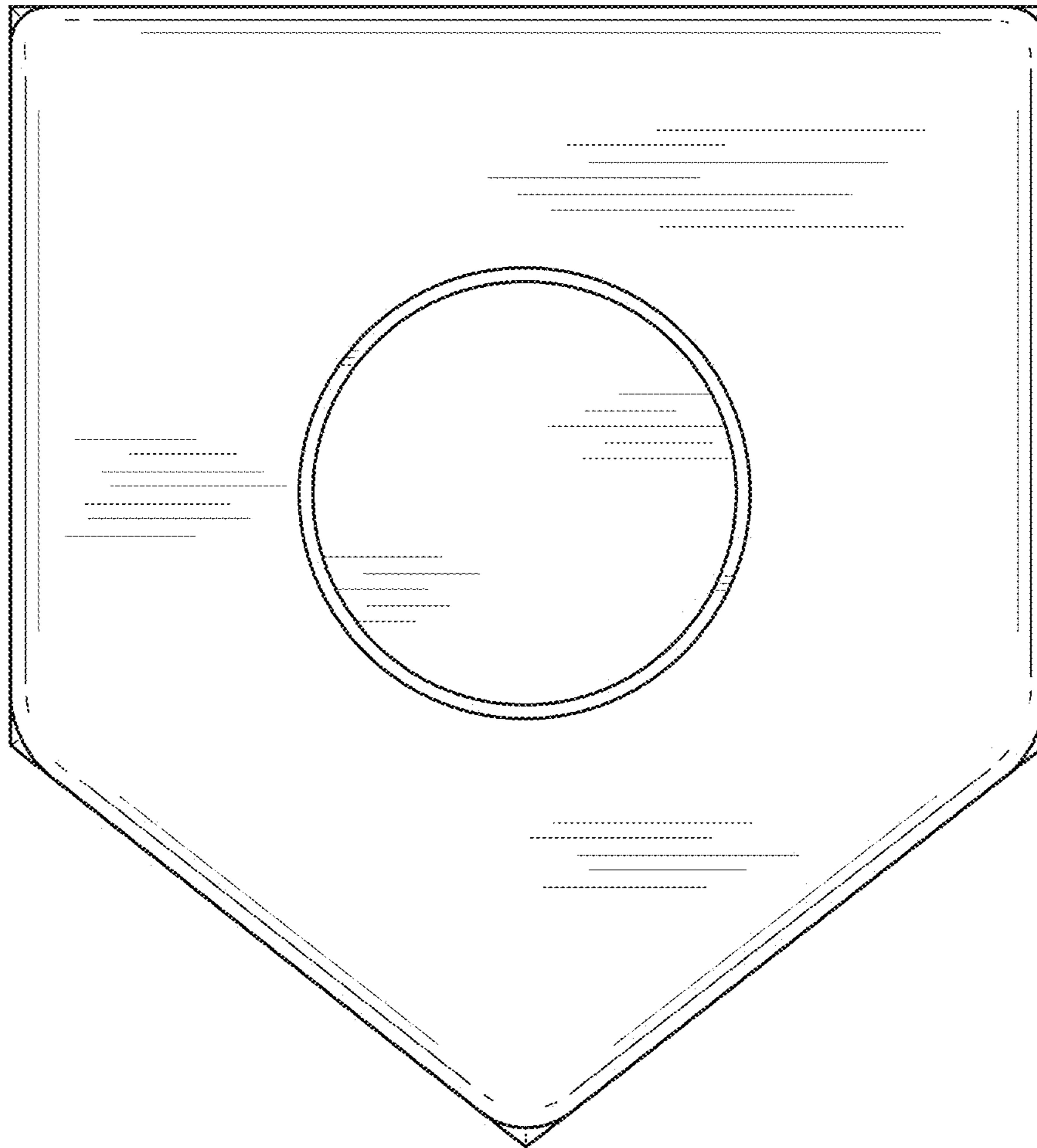


FIG. 7

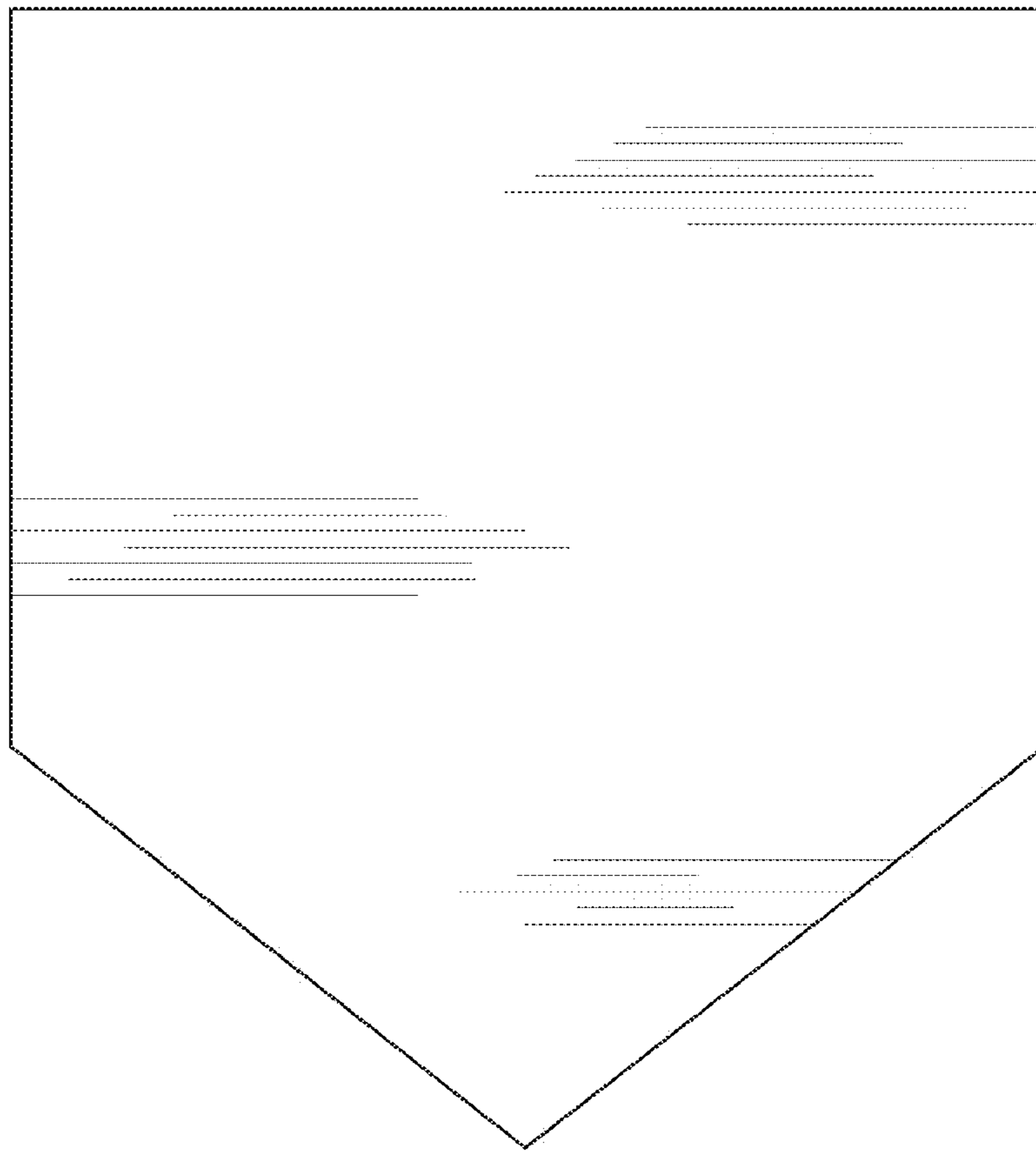


FIG. 8

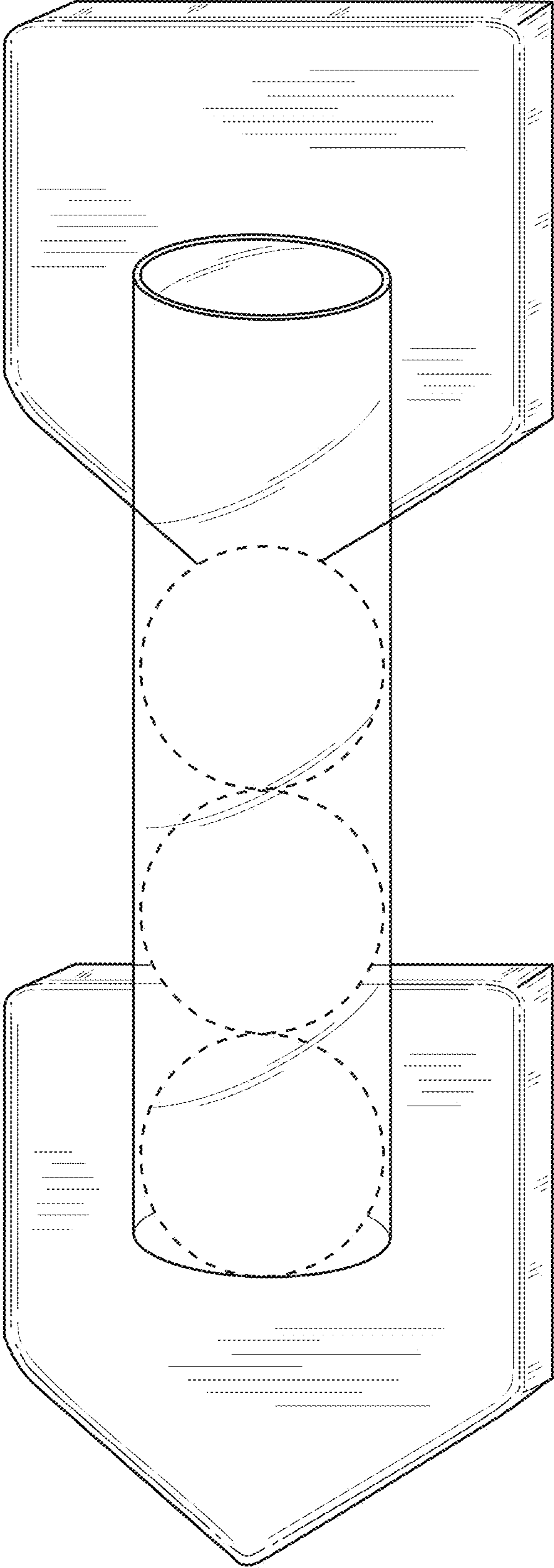


FIG. 9

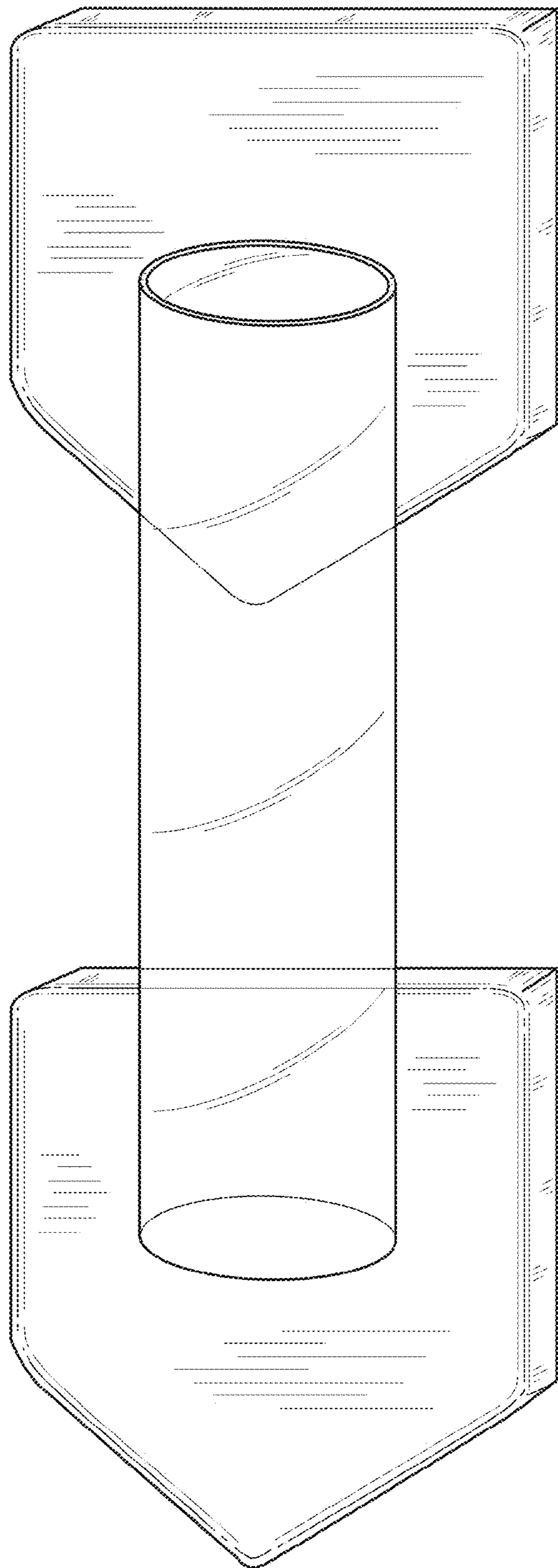


FIG. 10

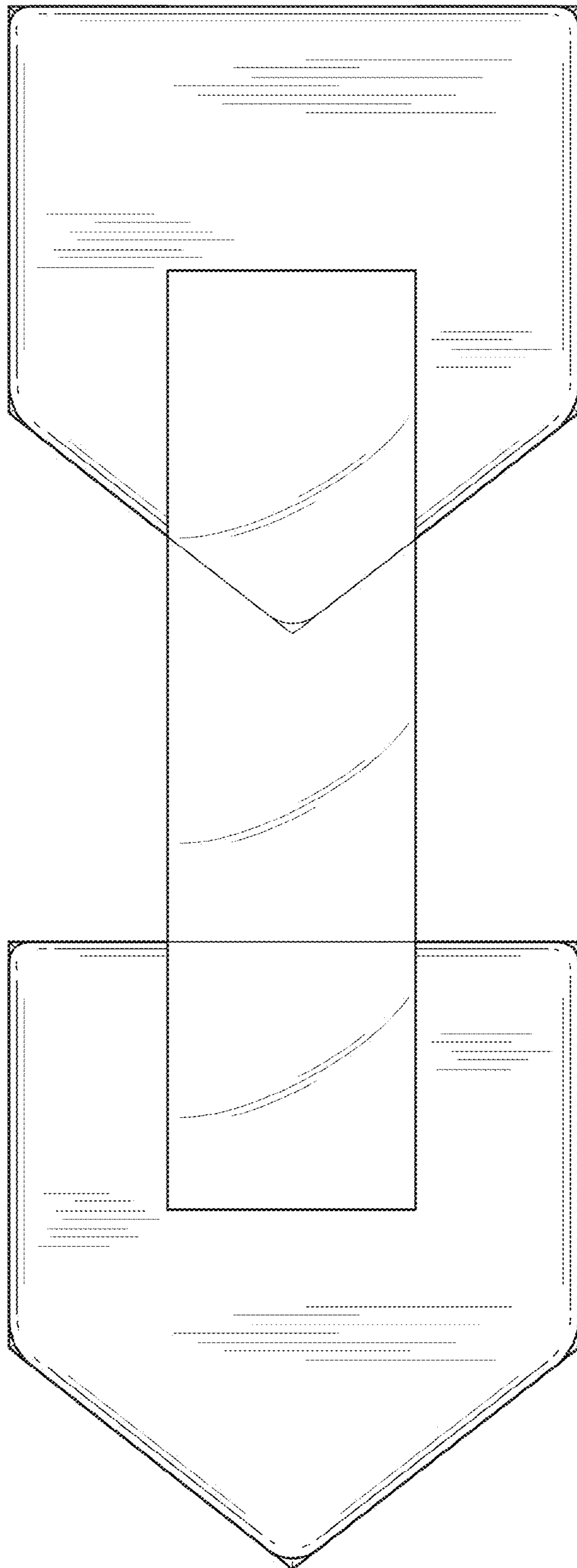


FIG. 11

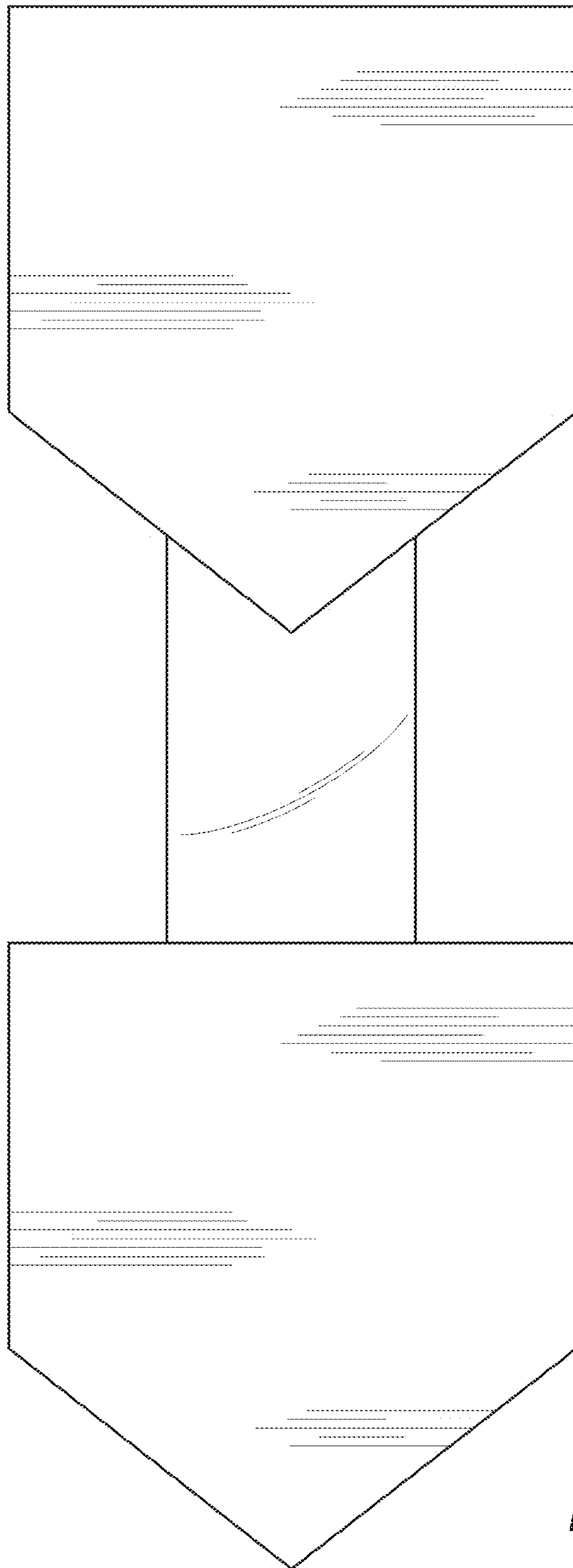


FIG. 12

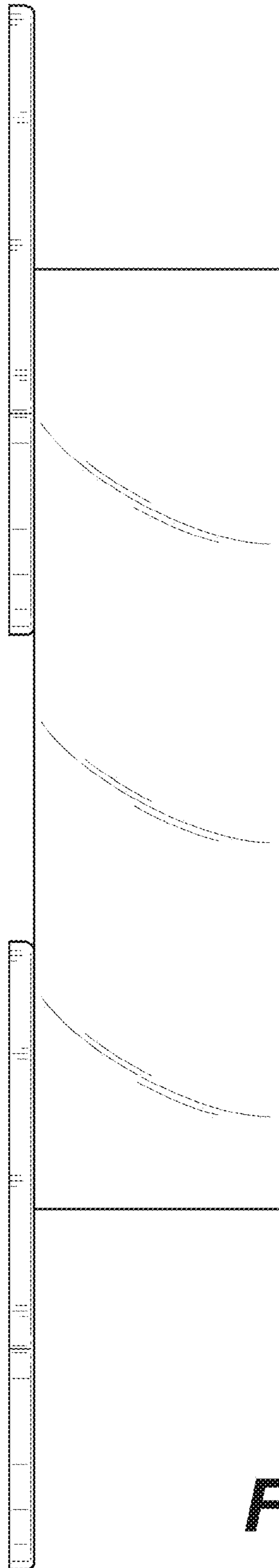


FIG. 13

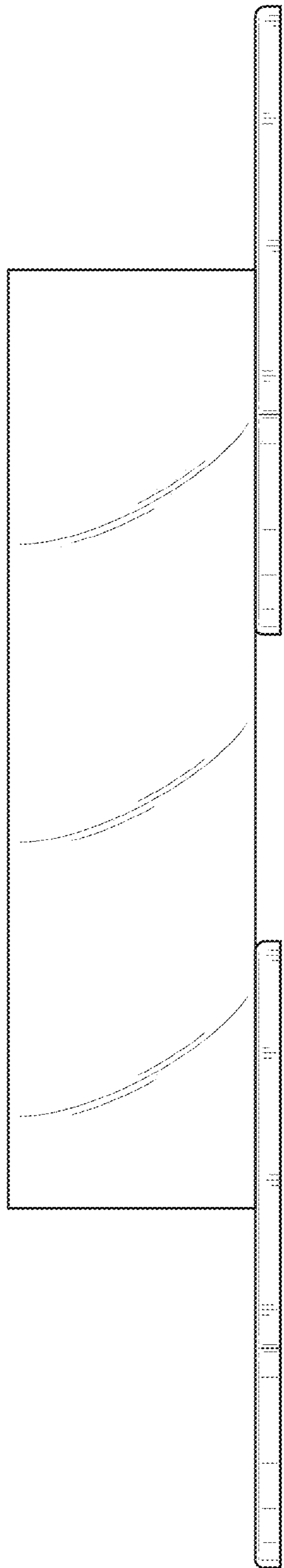


FIG. 14

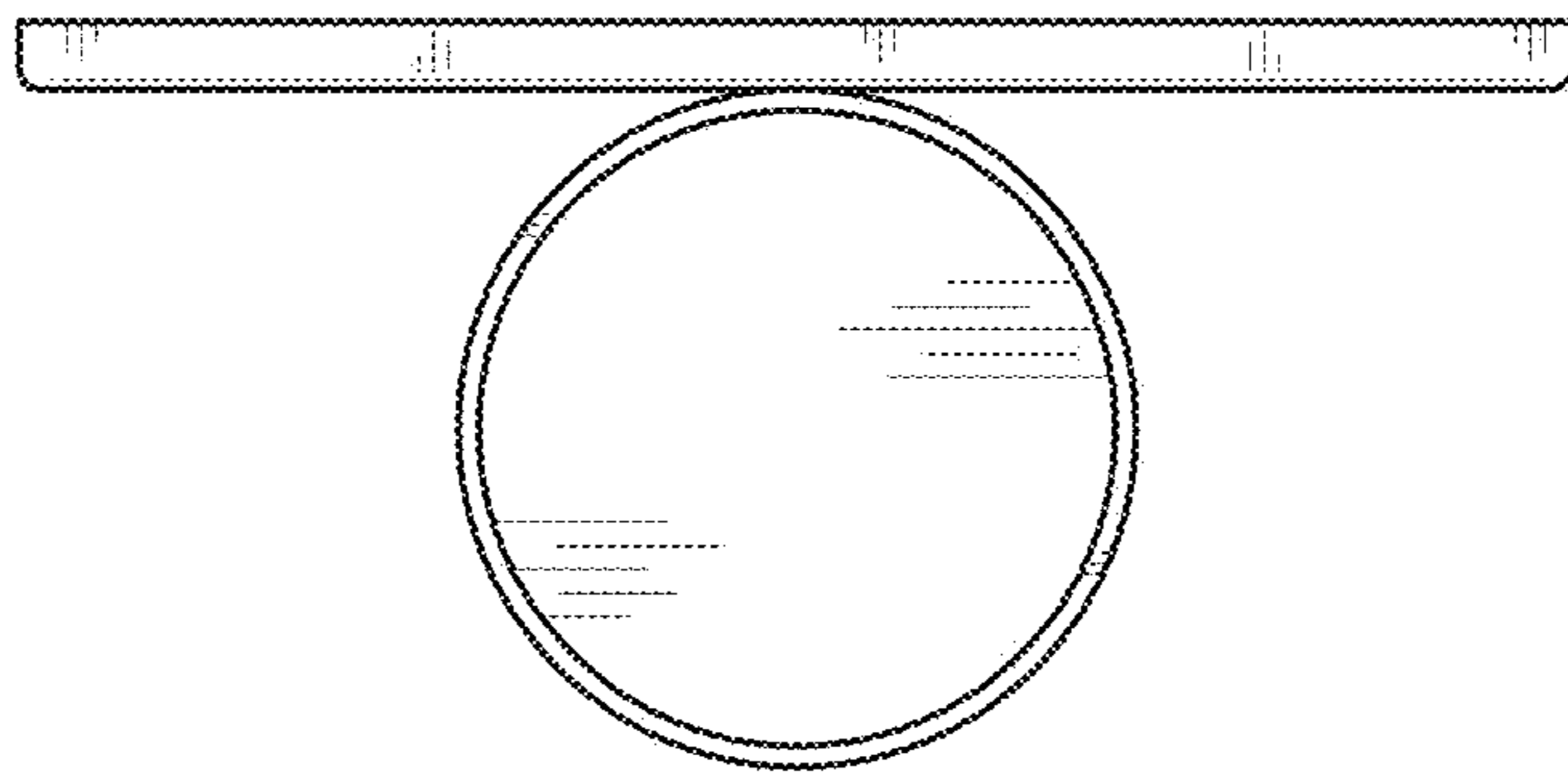


FIG. 15

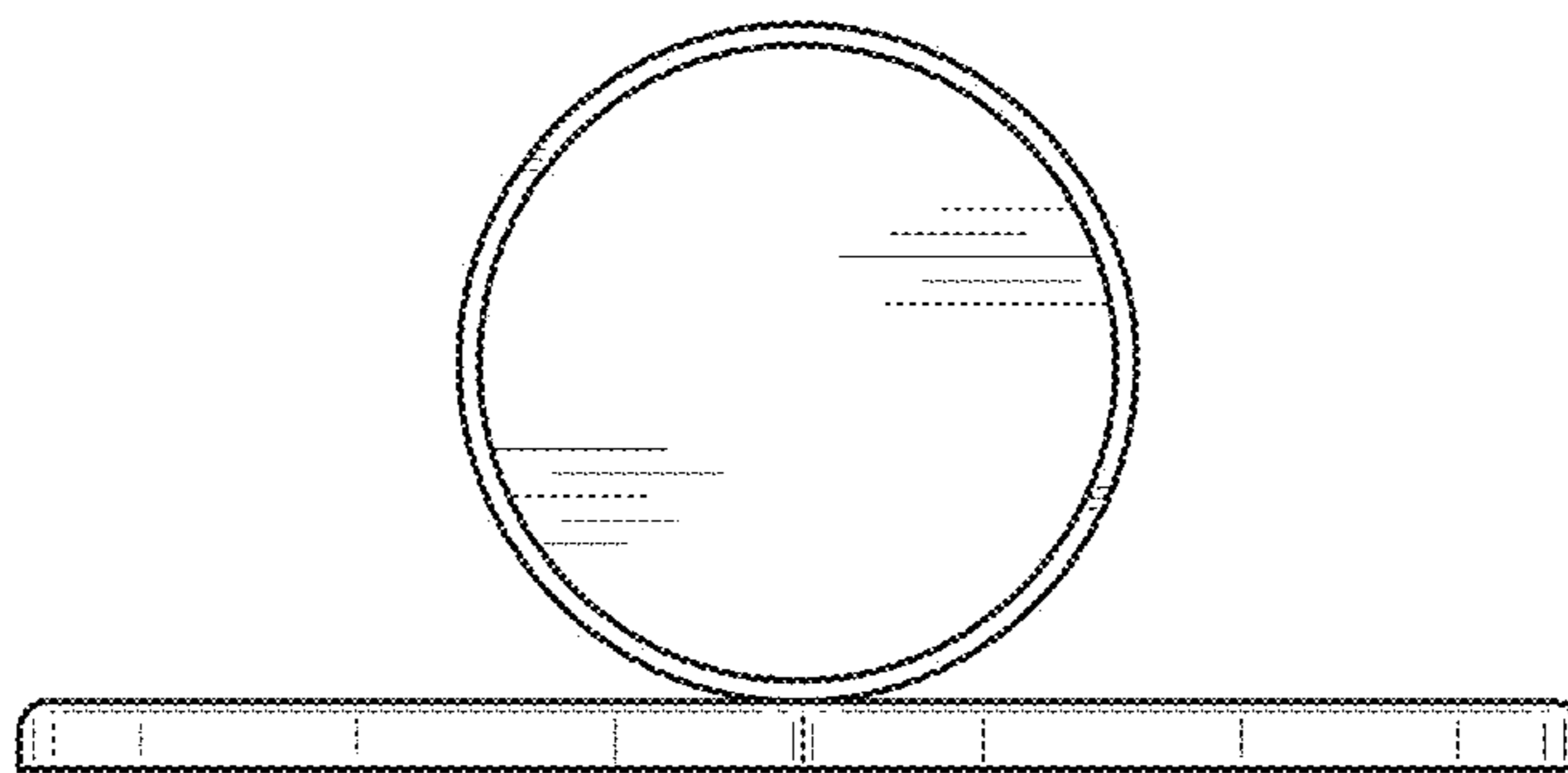


FIG. 16

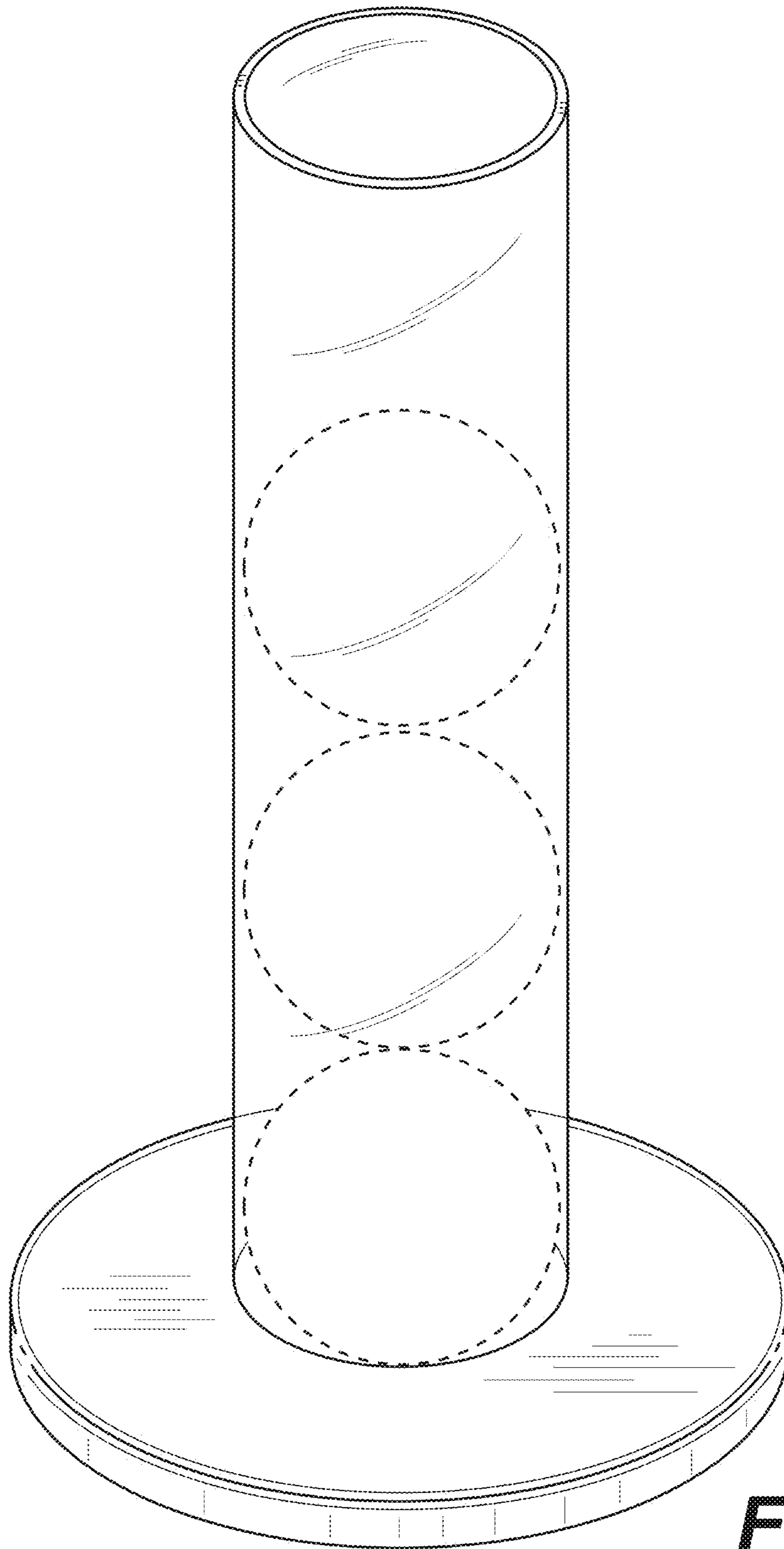


FIG. 17

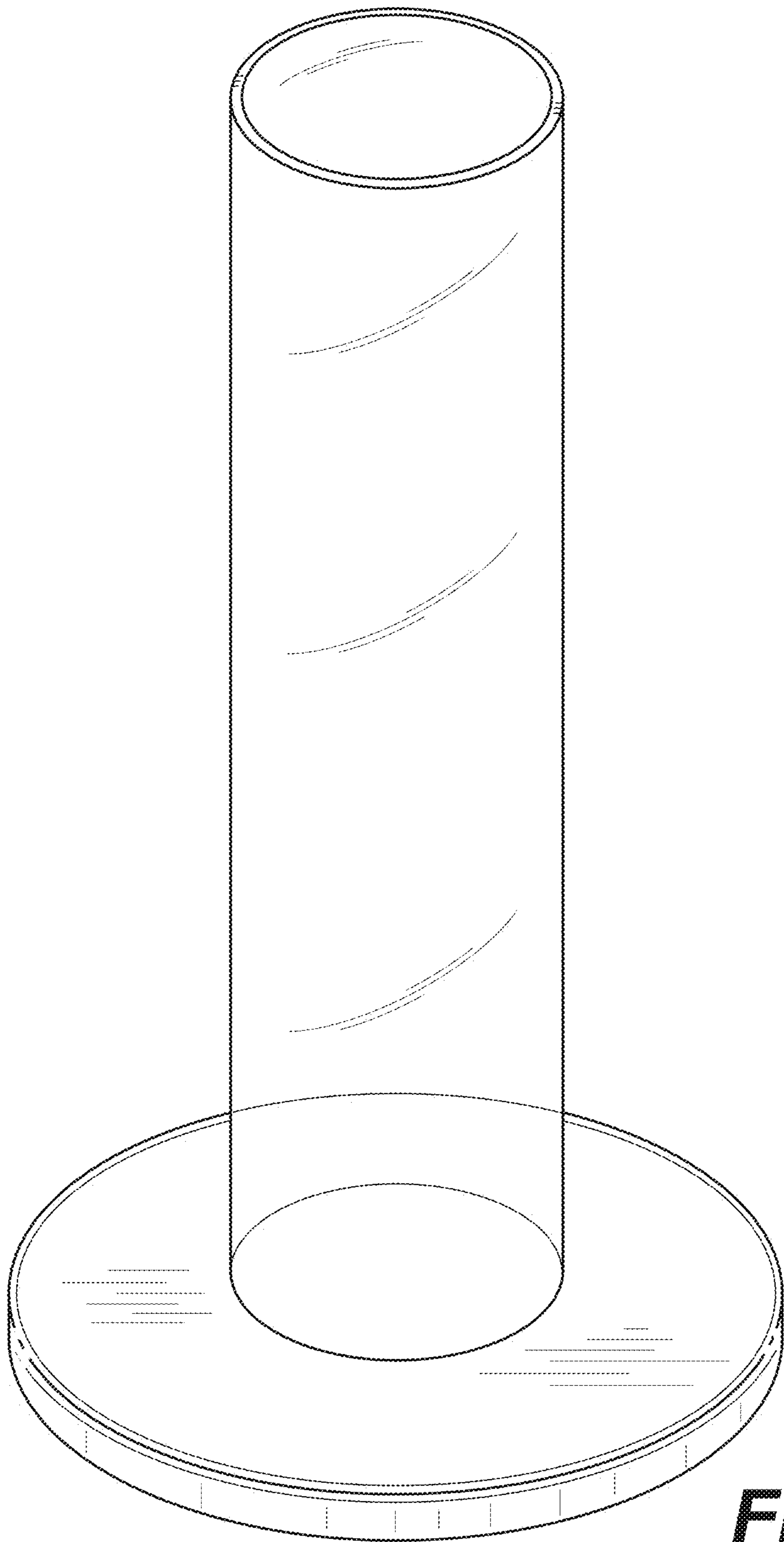


FIG. 18

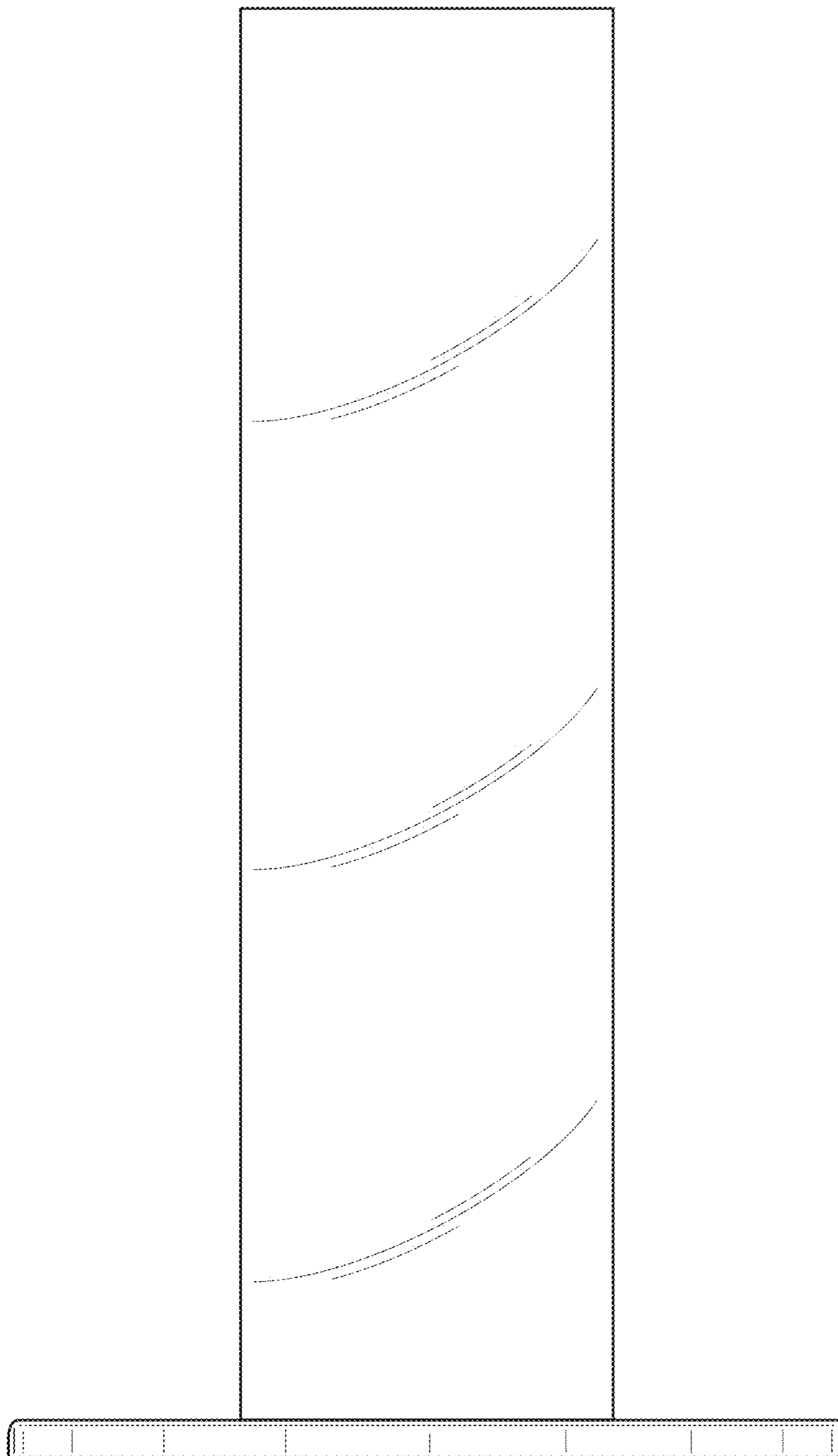


FIG. 19

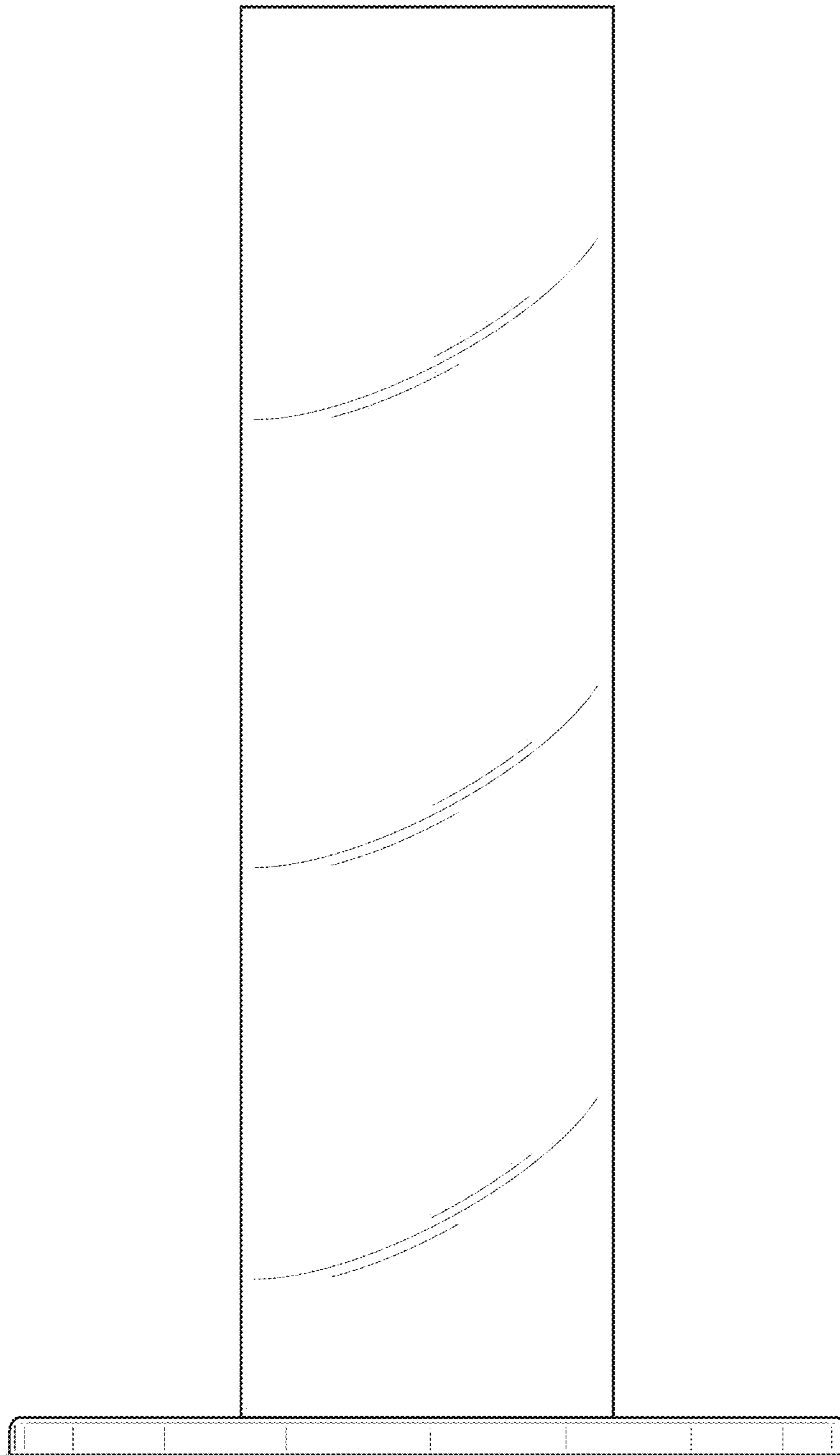


FIG. 20

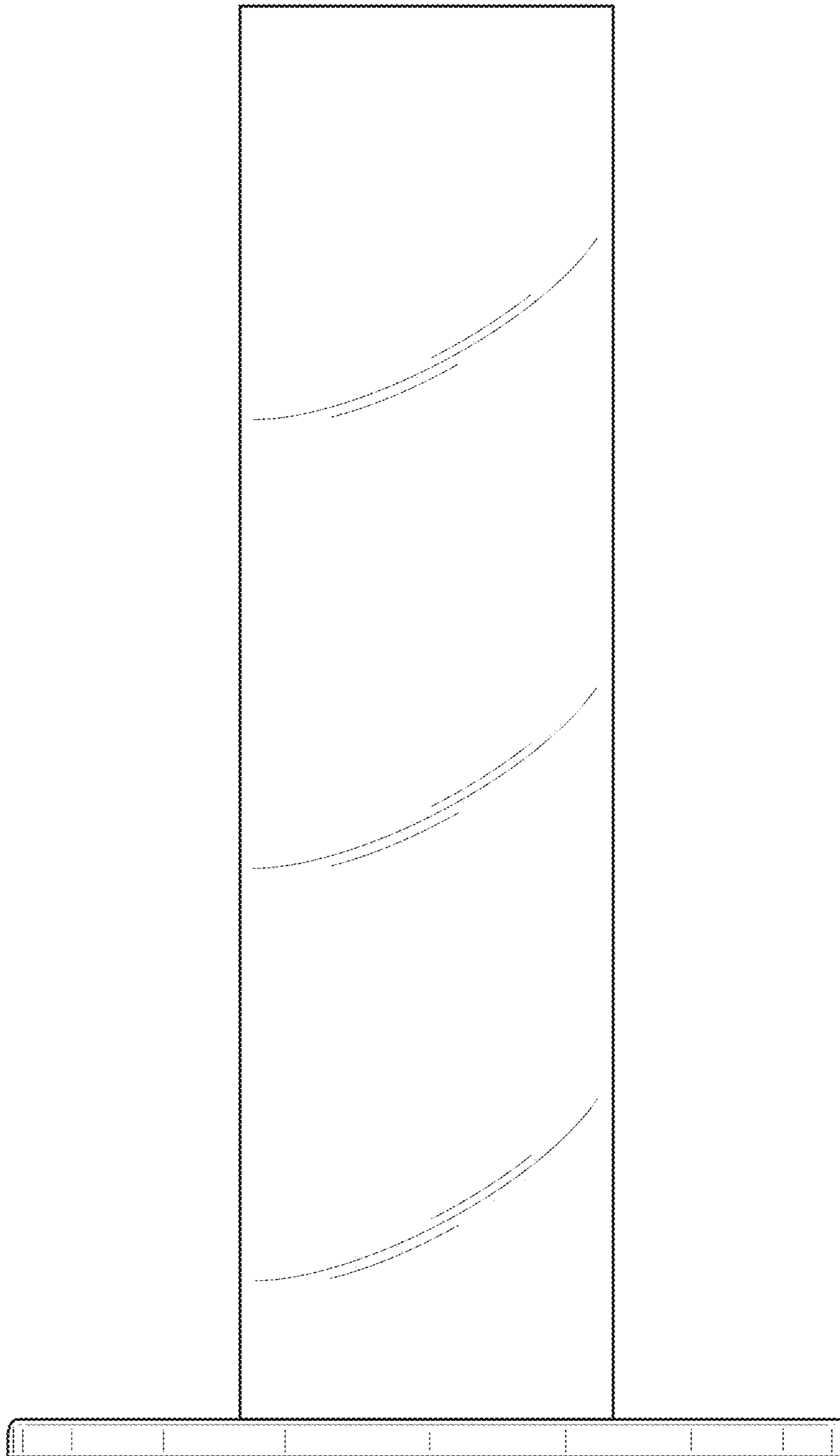


FIG. 21

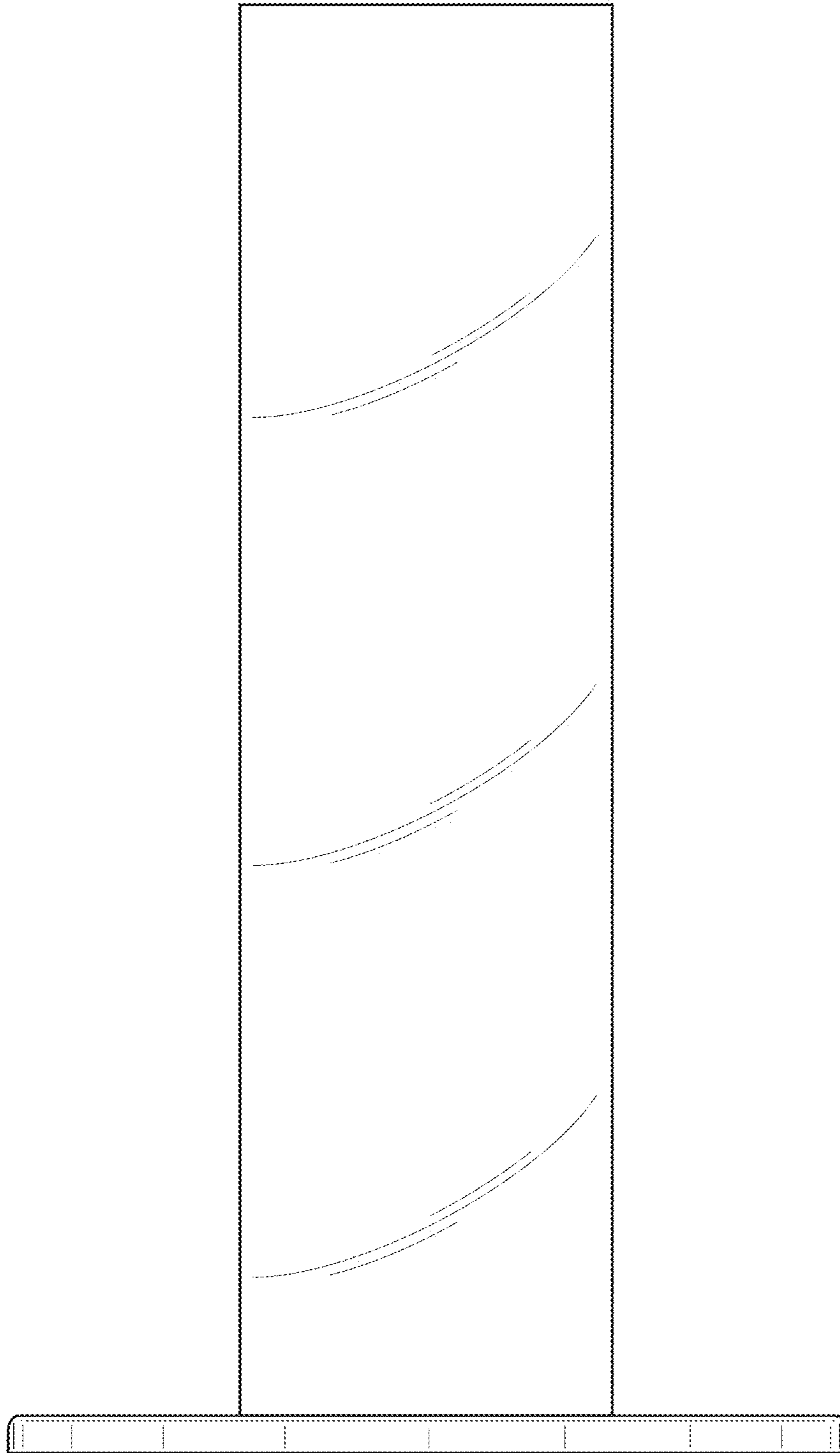


FIG. 22



FIG. 23

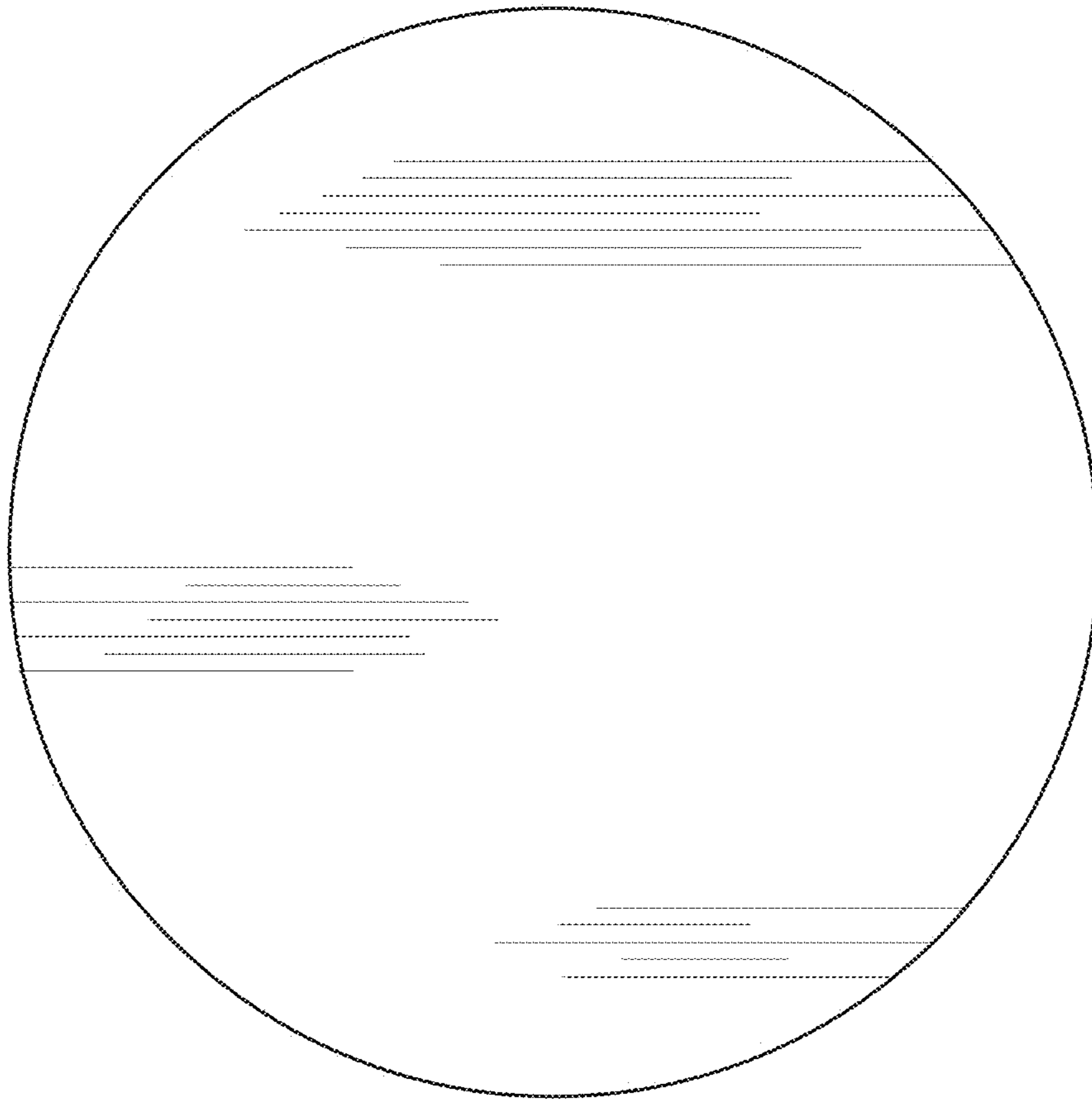


FIG. 24

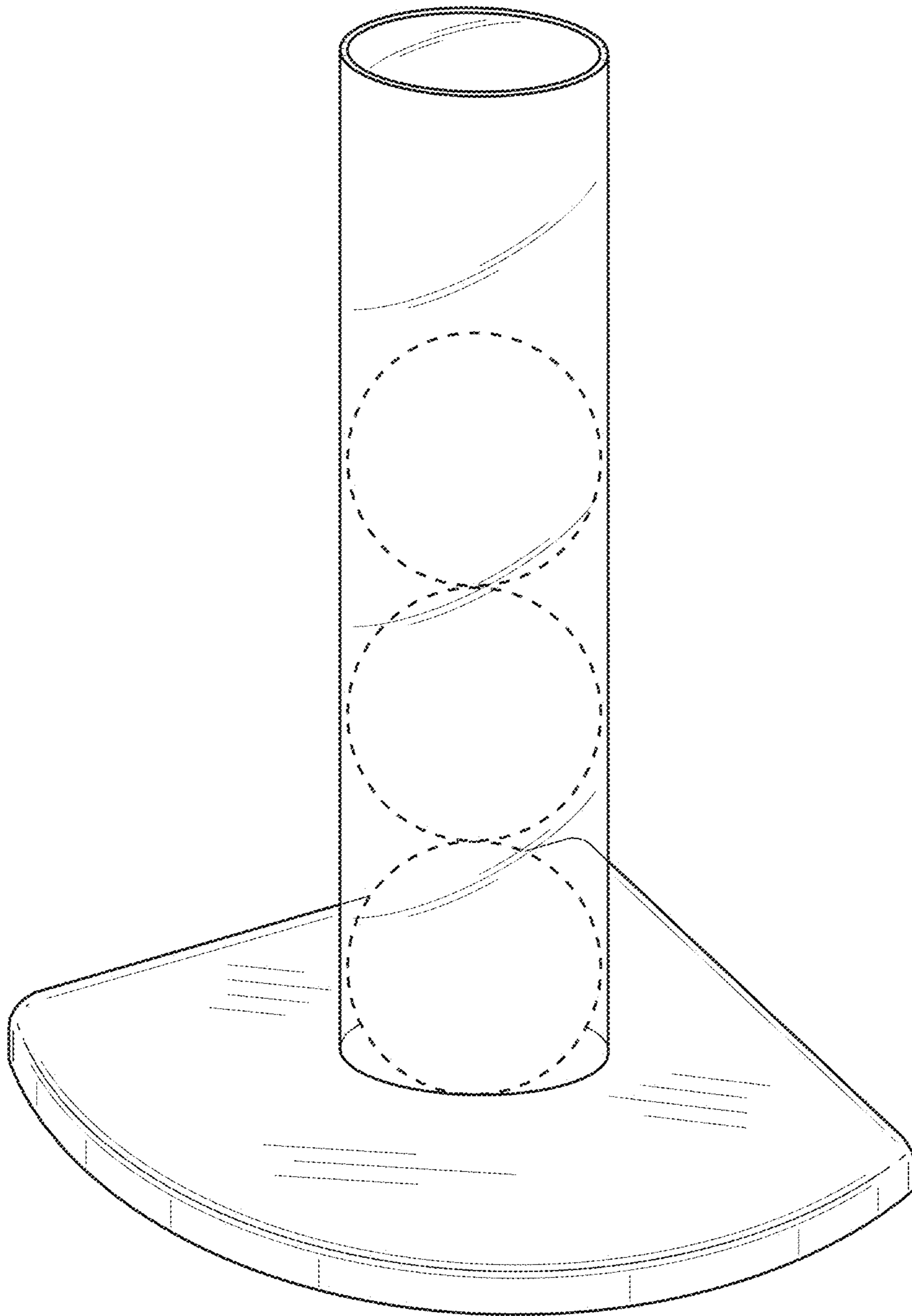


FIG. 25

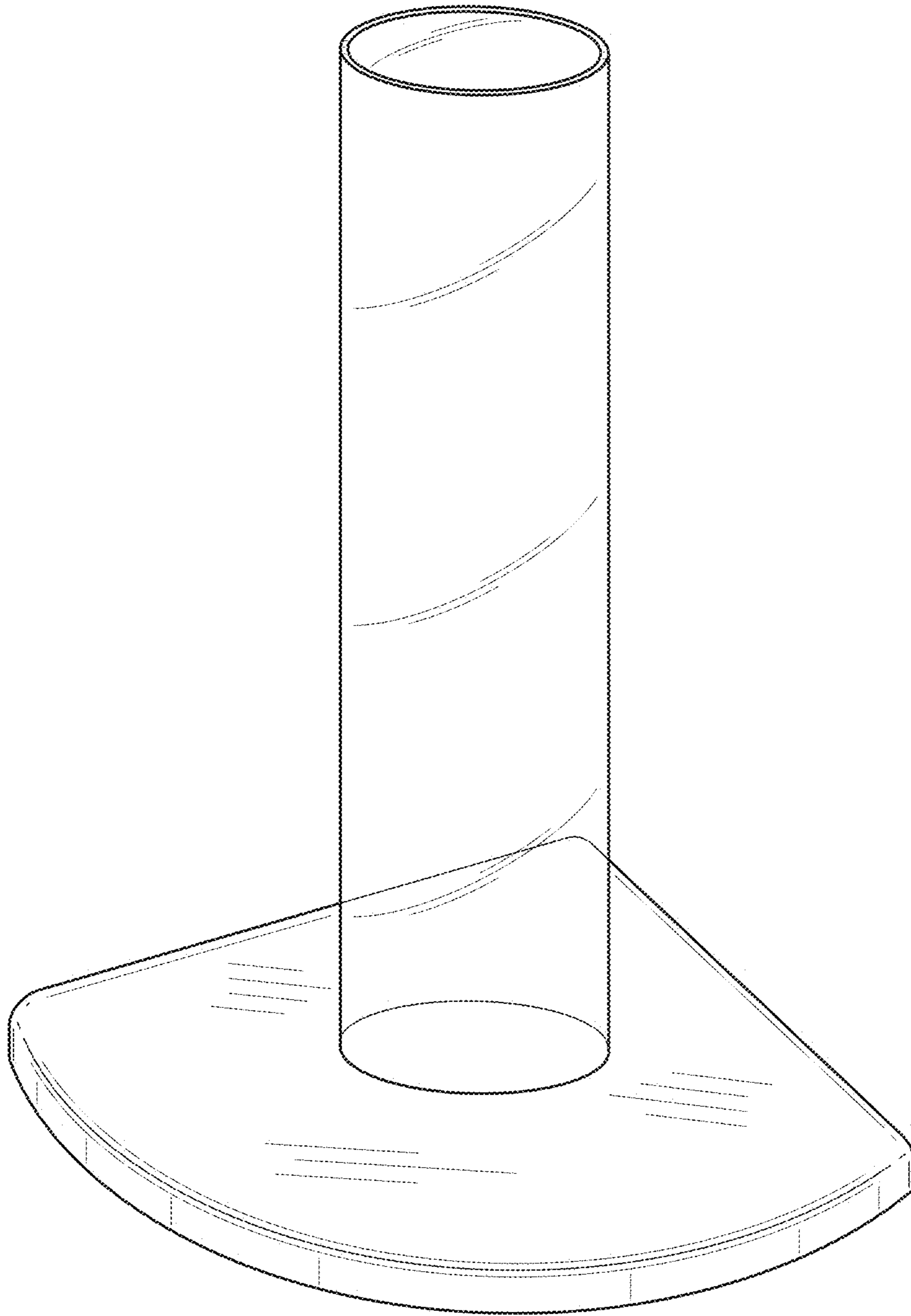


FIG. 26

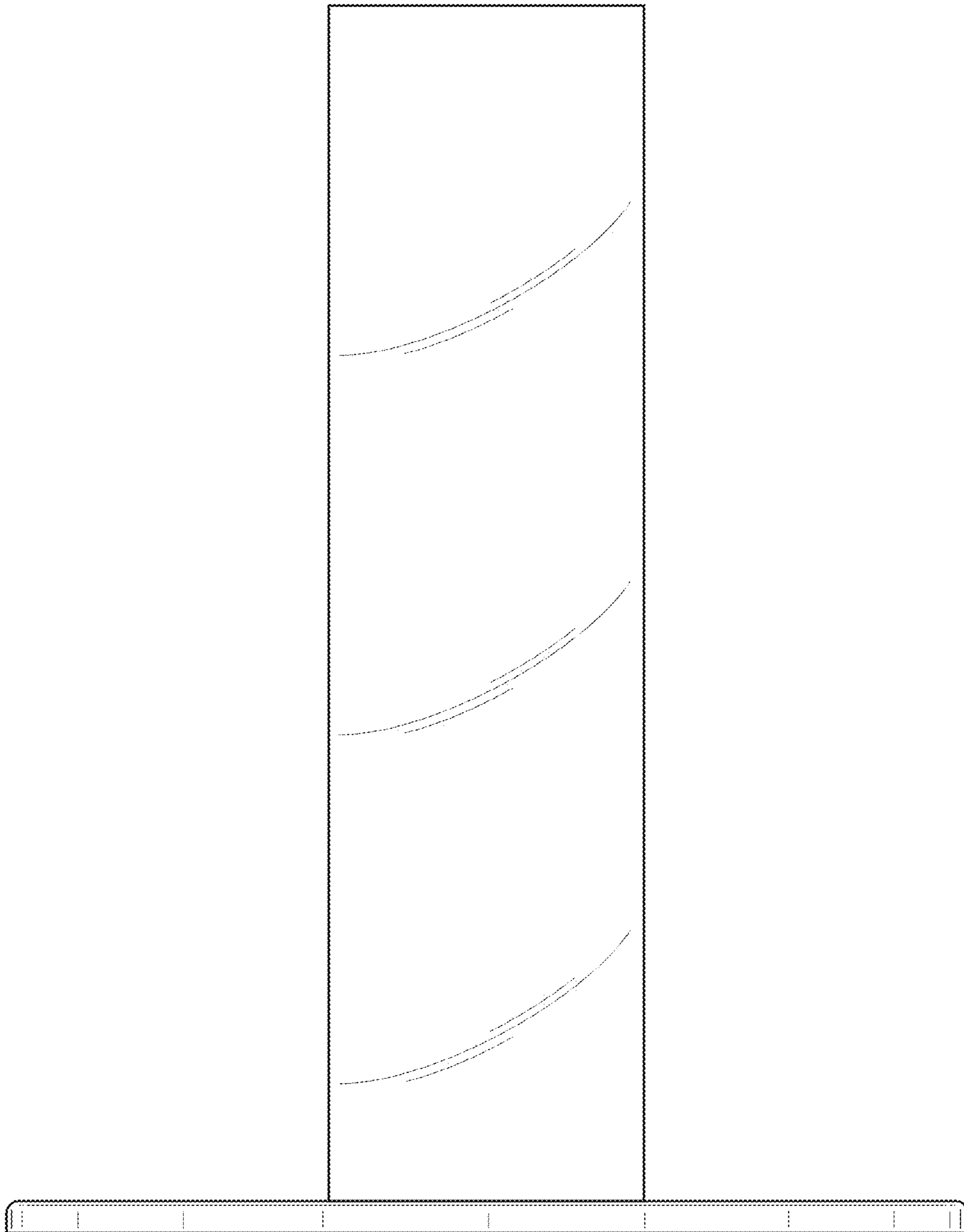


FIG. 27

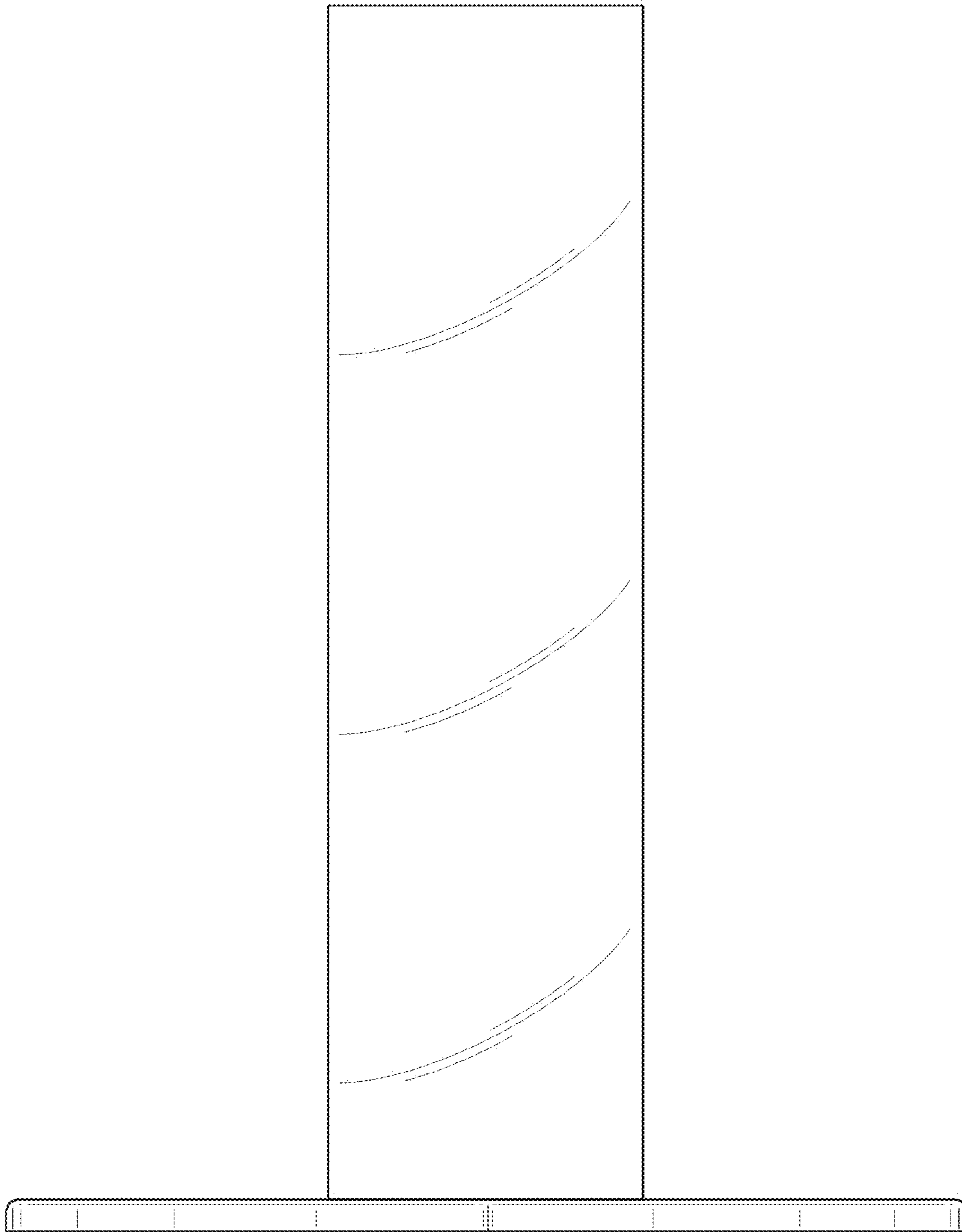


FIG. 28

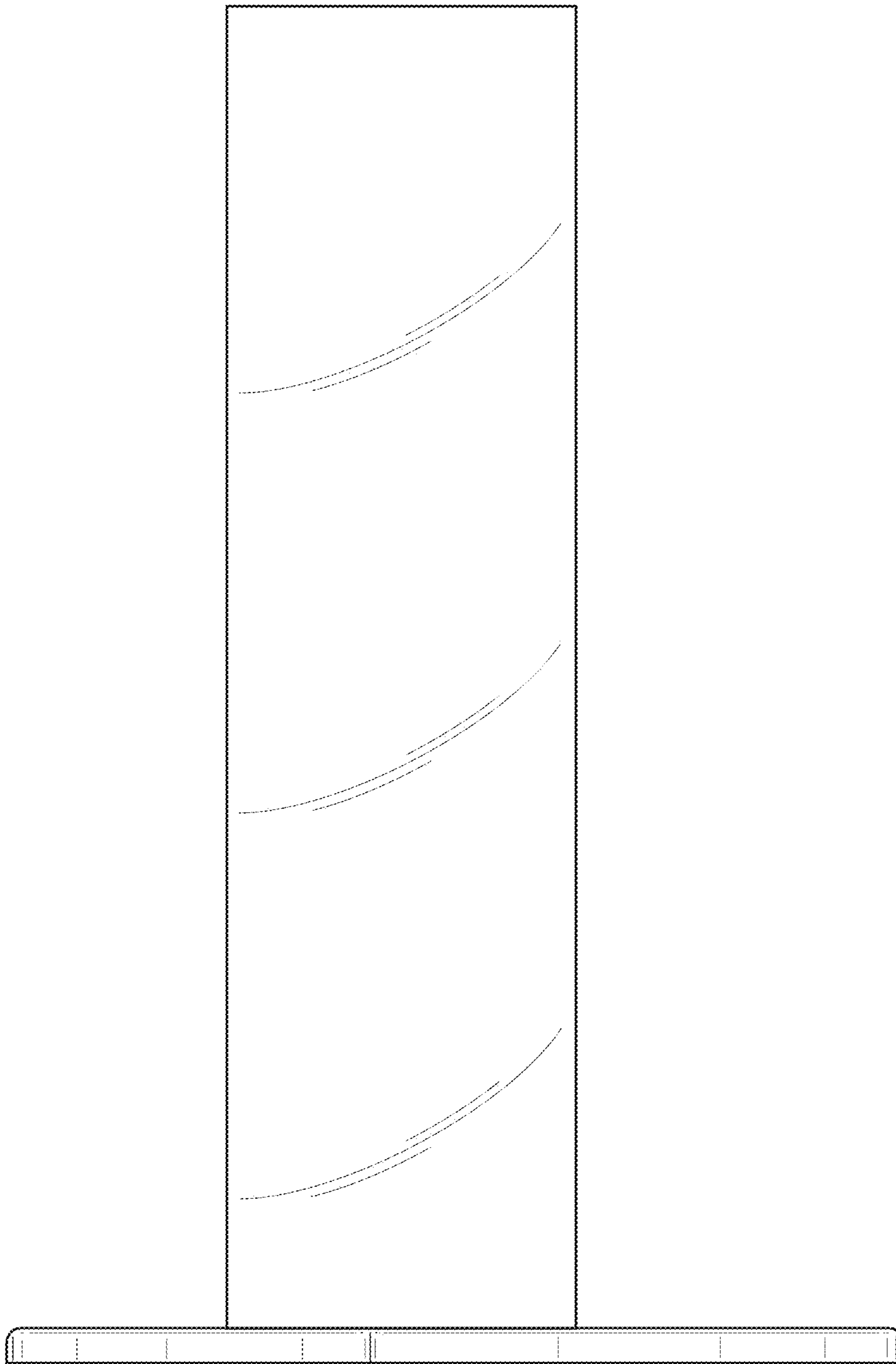


FIG. 29

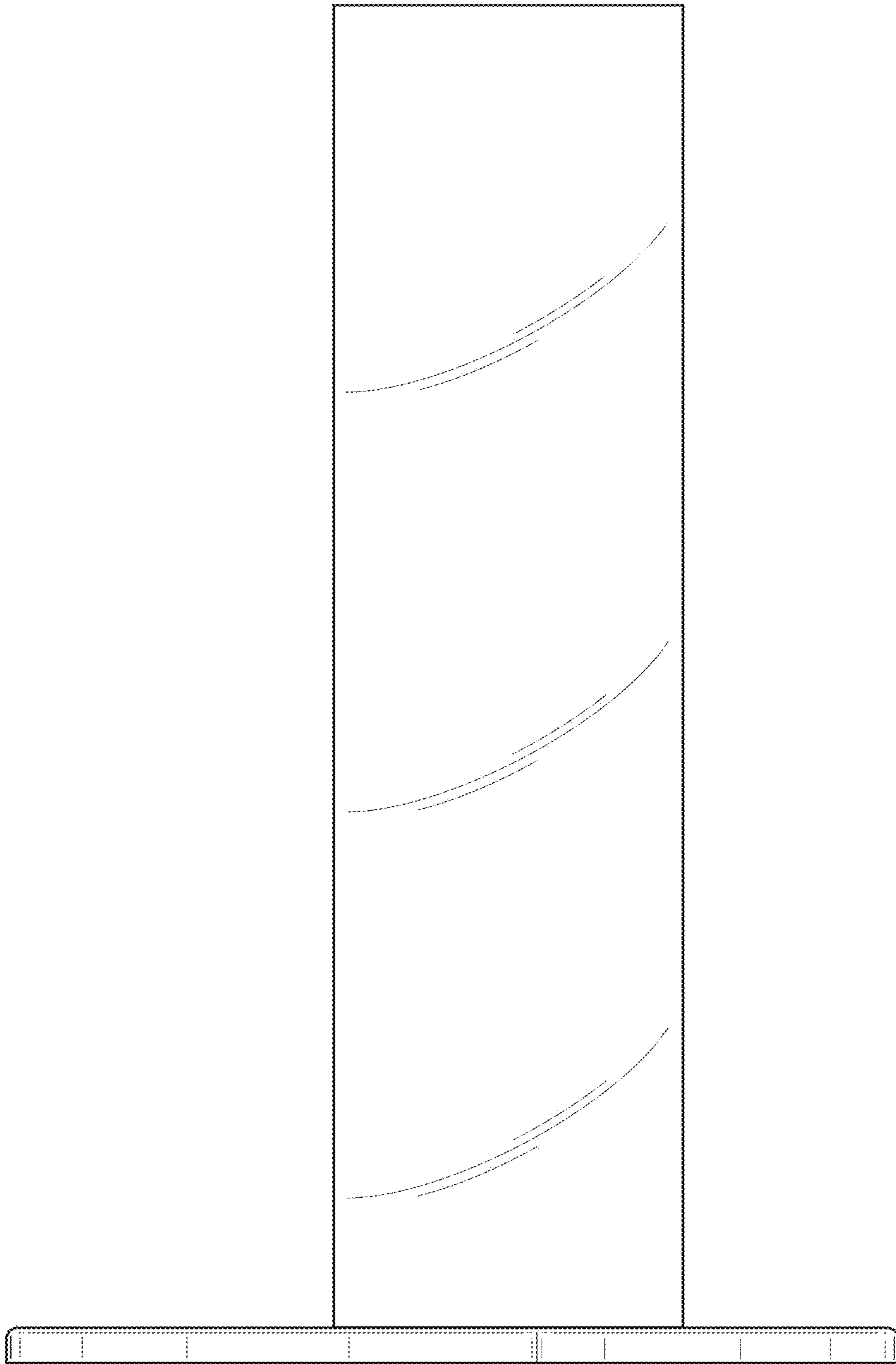


FIG. 30

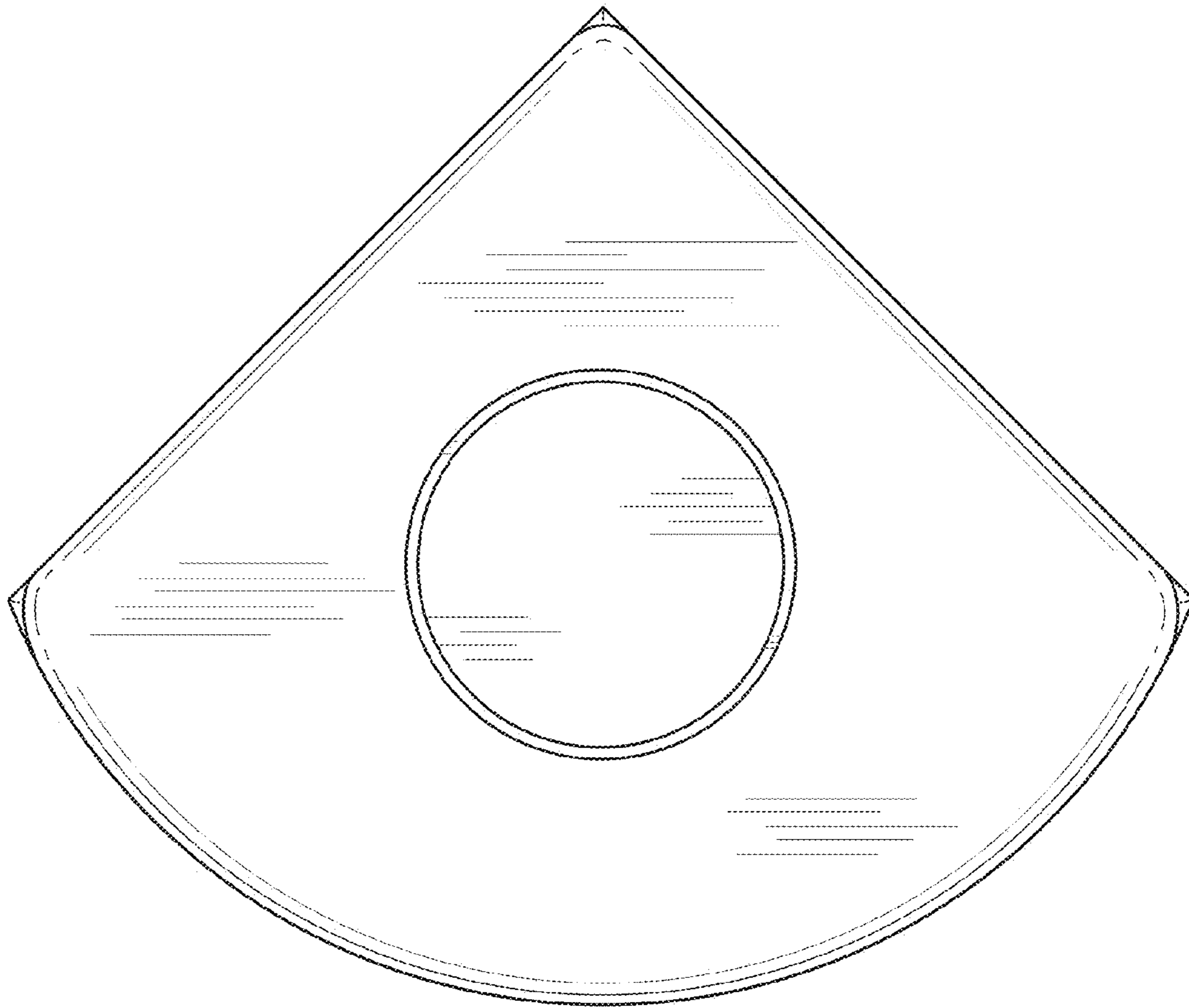


FIG. 31

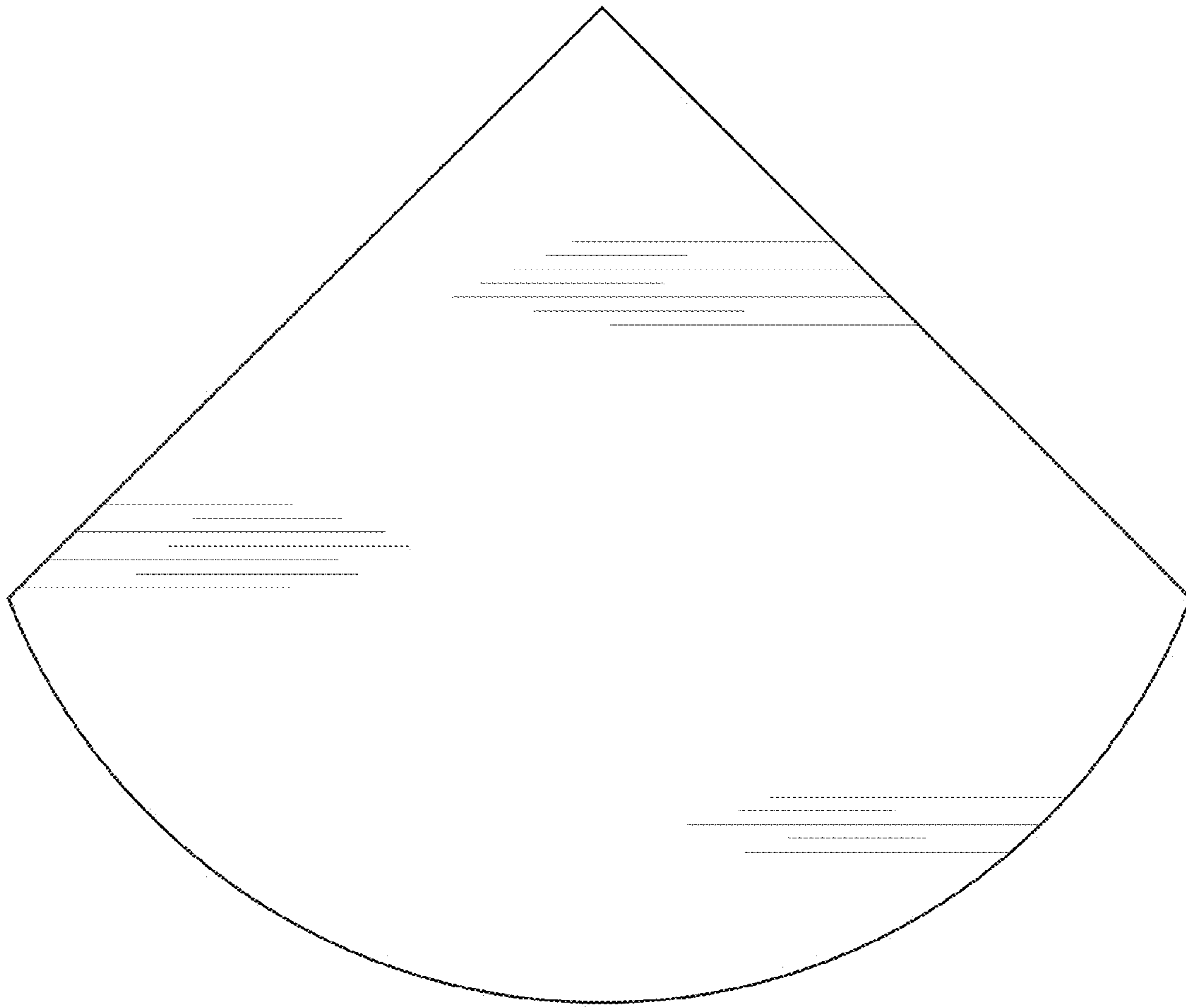


FIG. 32

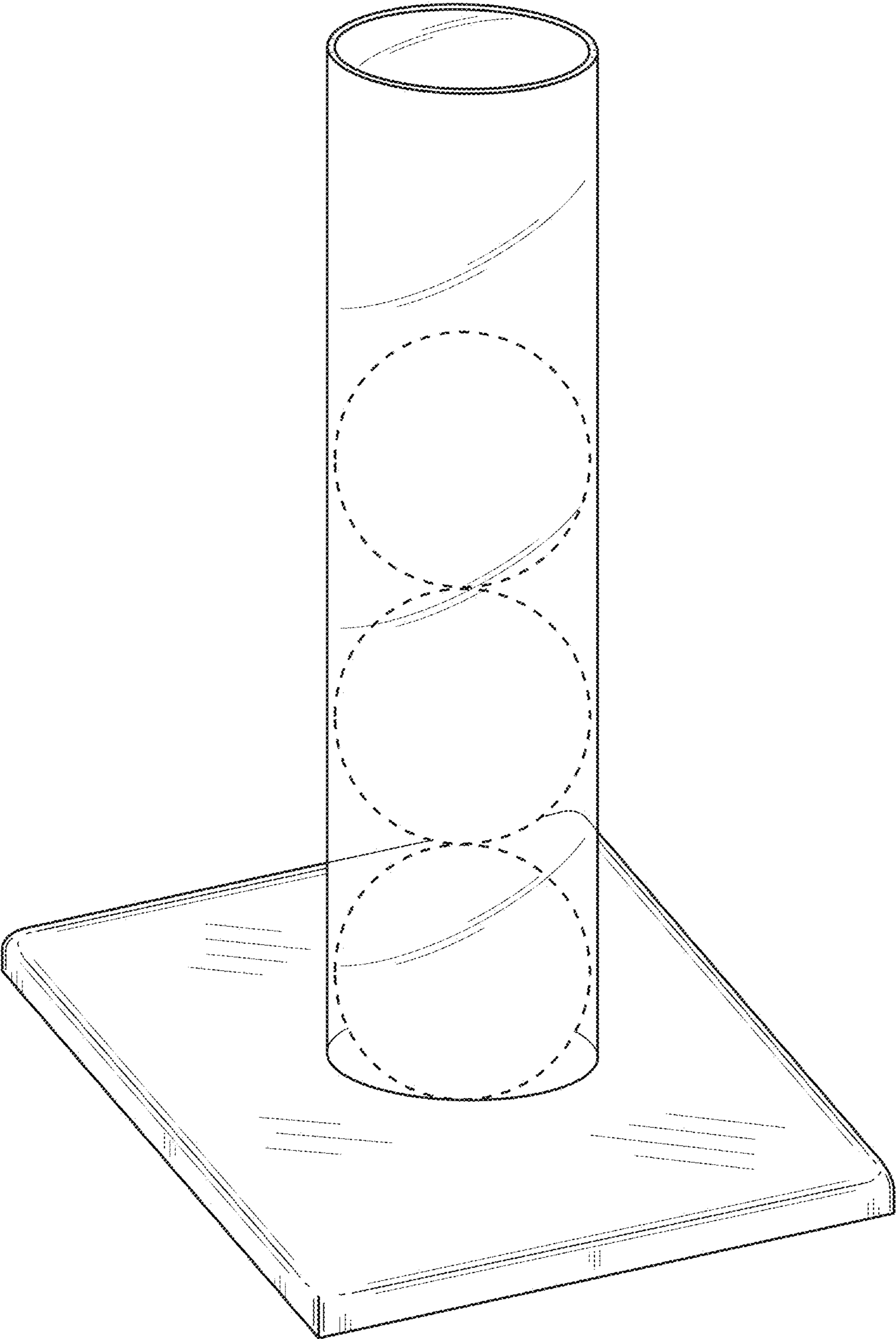


FIG. 33

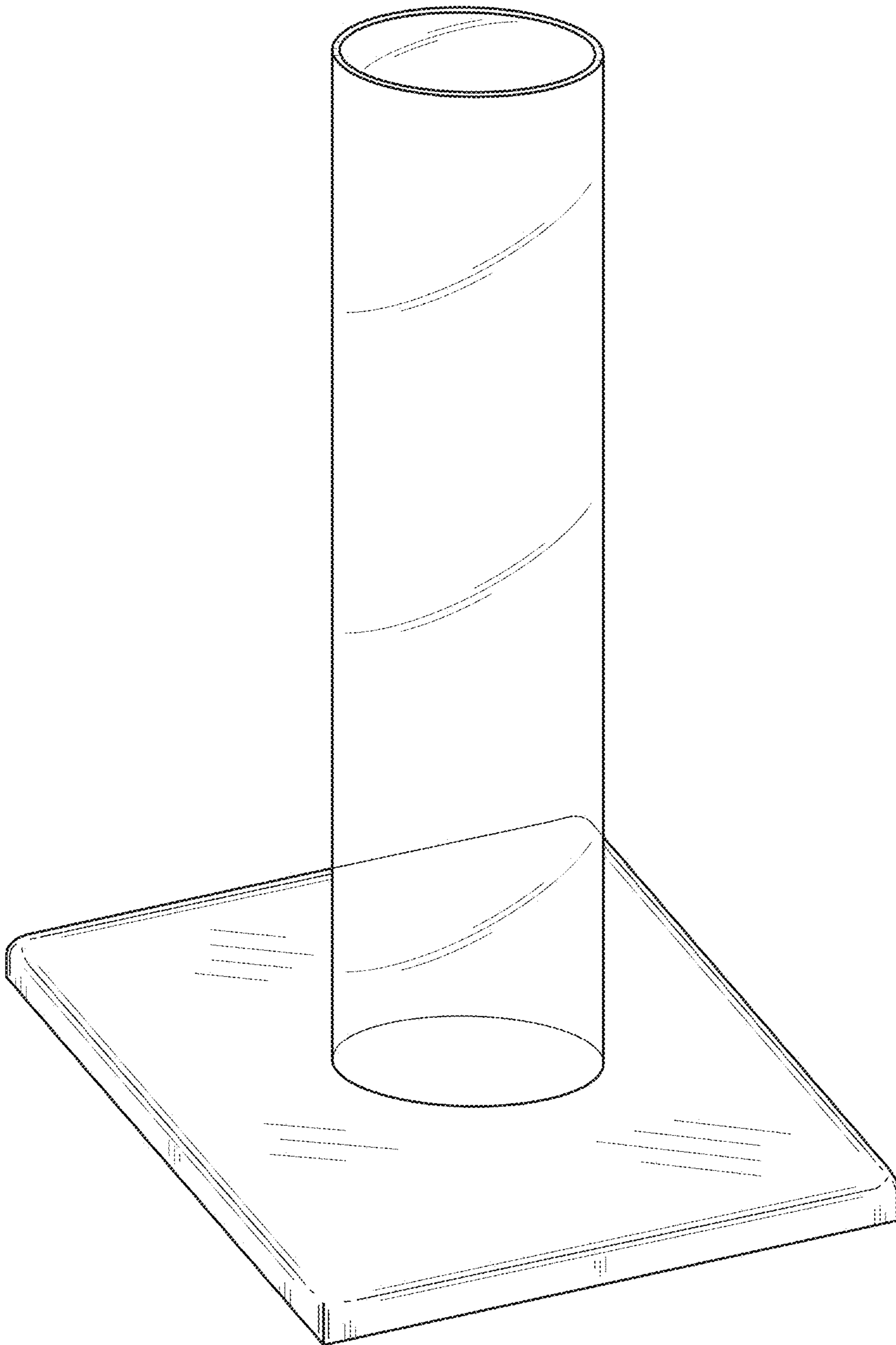


FIG. 34

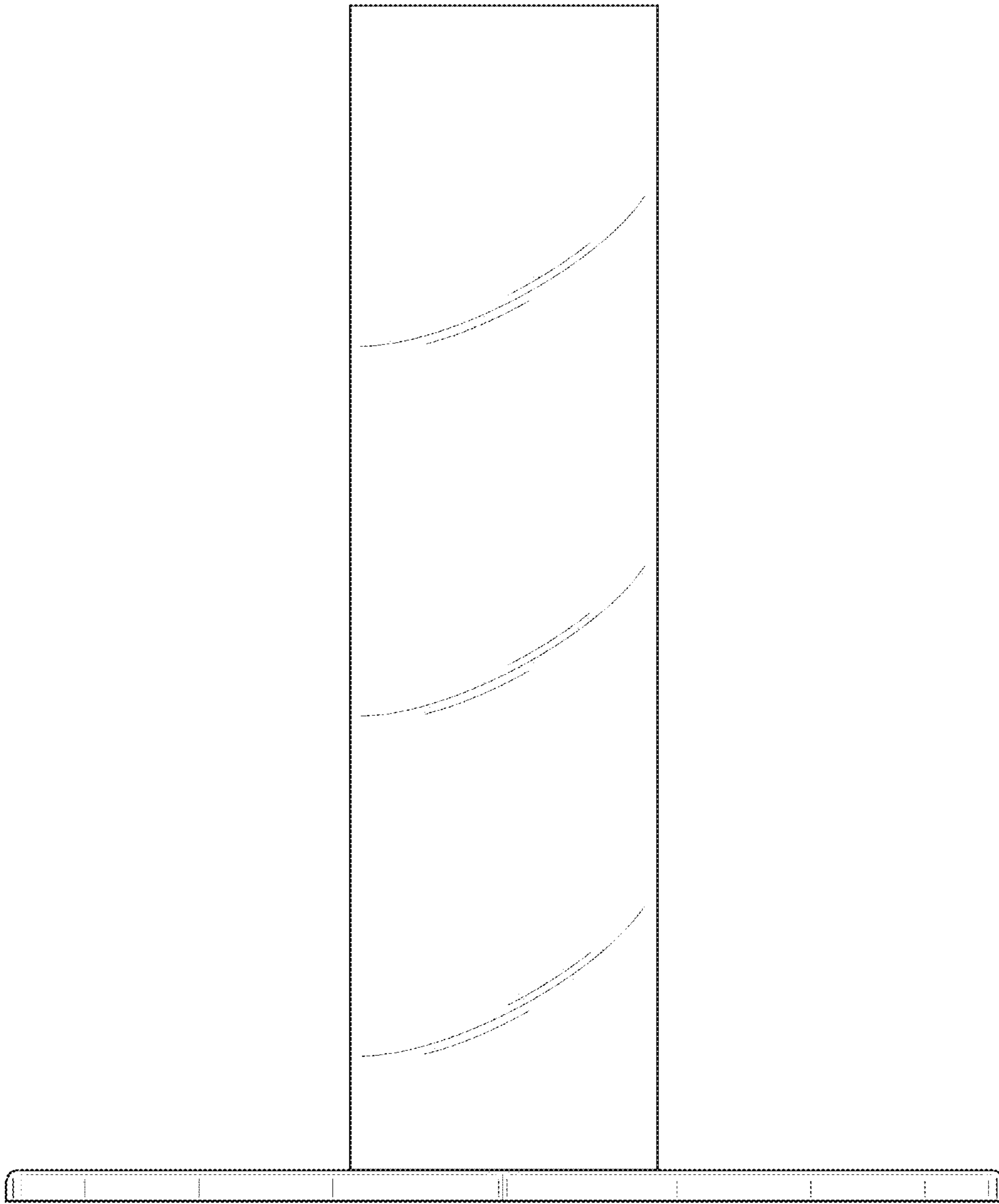


FIG. 35

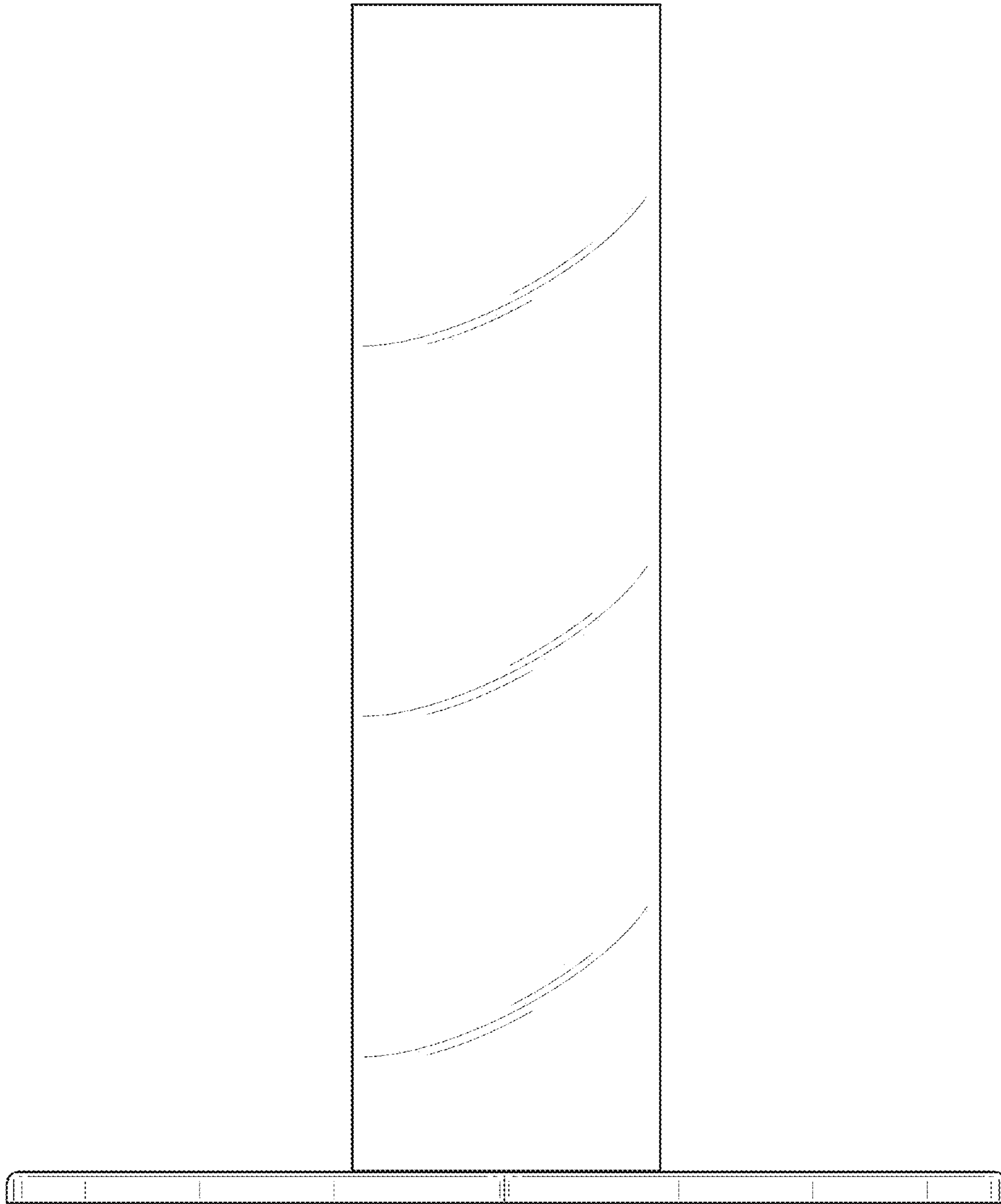


FIG. 36

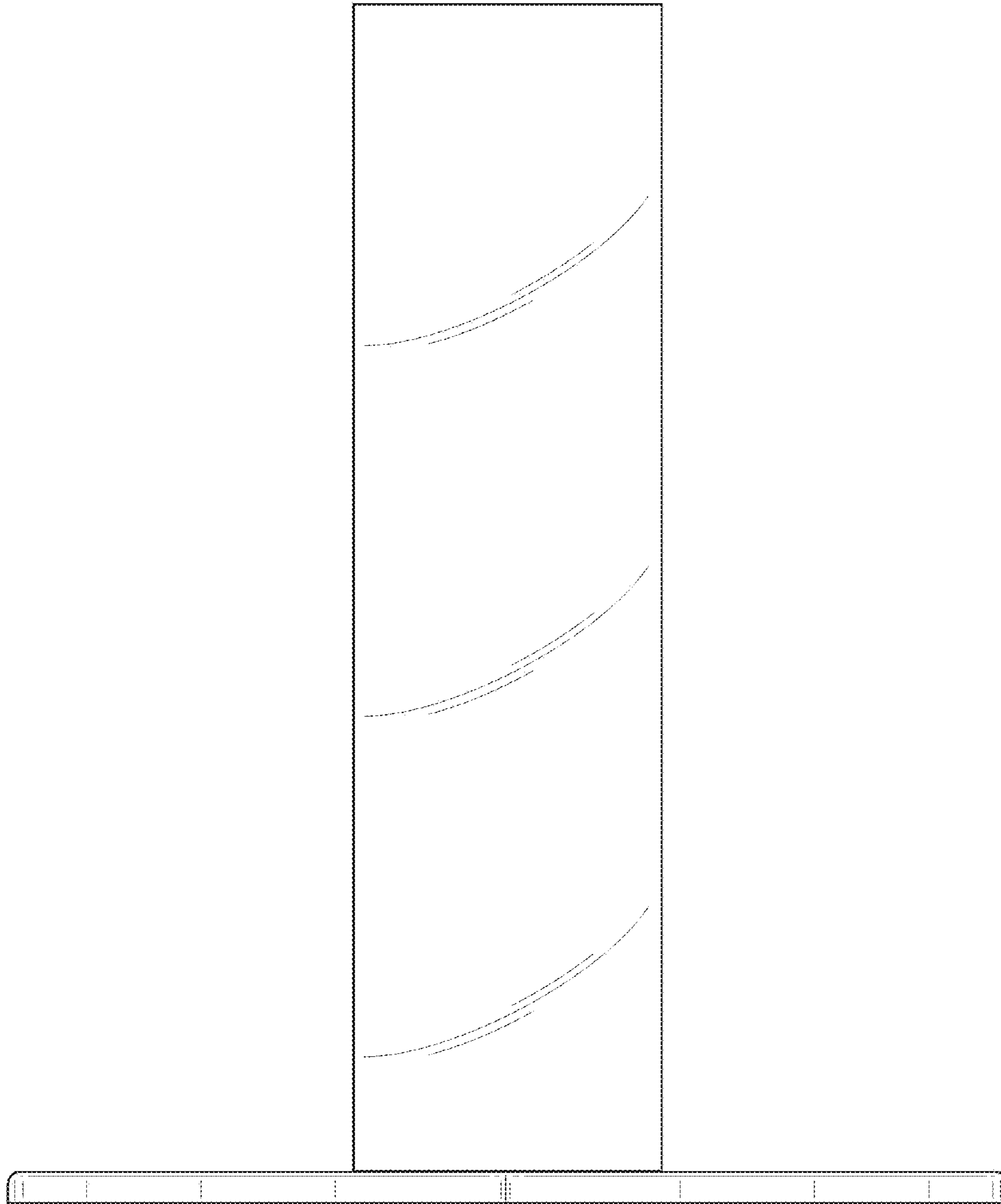


FIG. 37

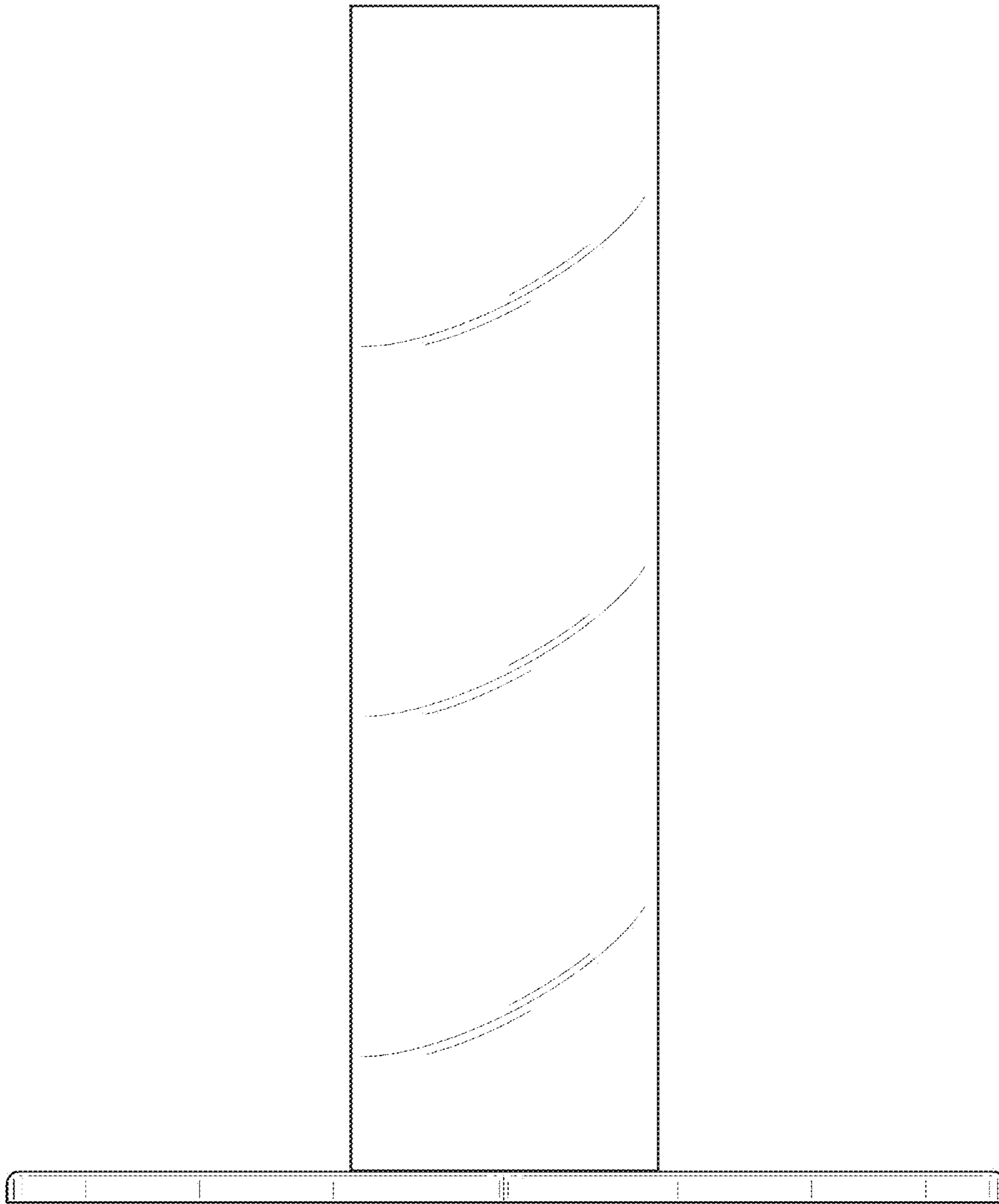


FIG. 38

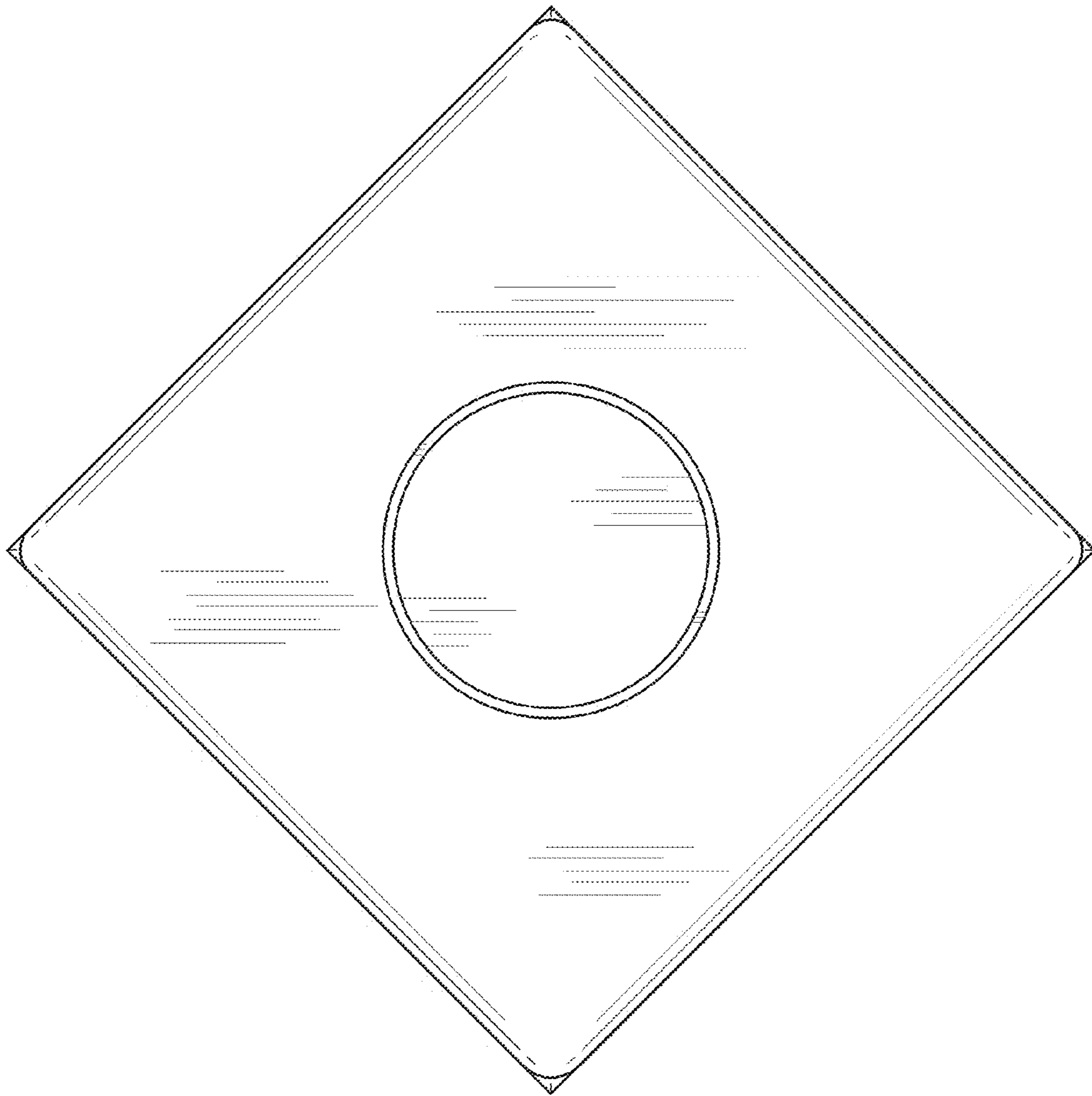


FIG. 39

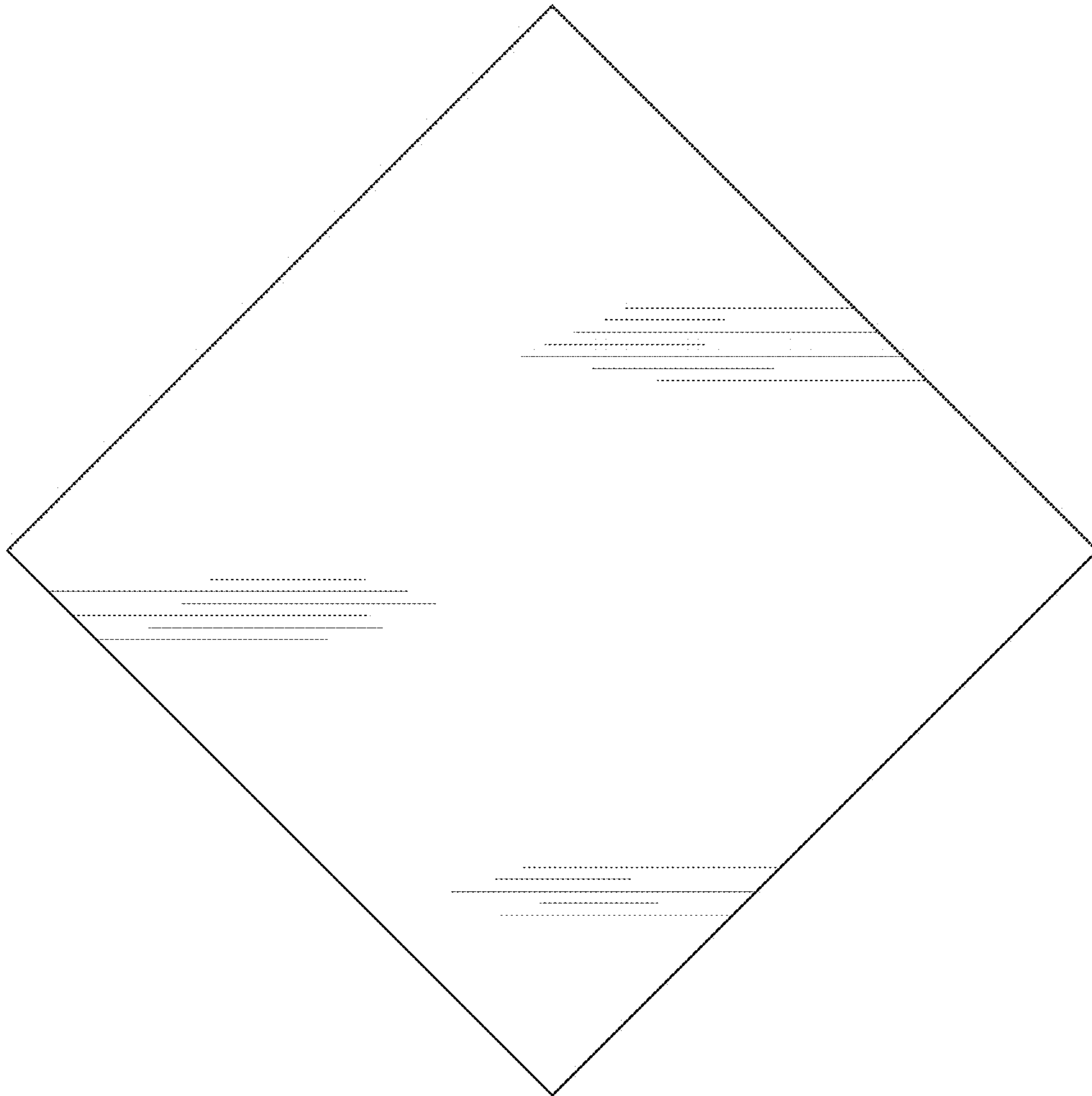


FIG. 40

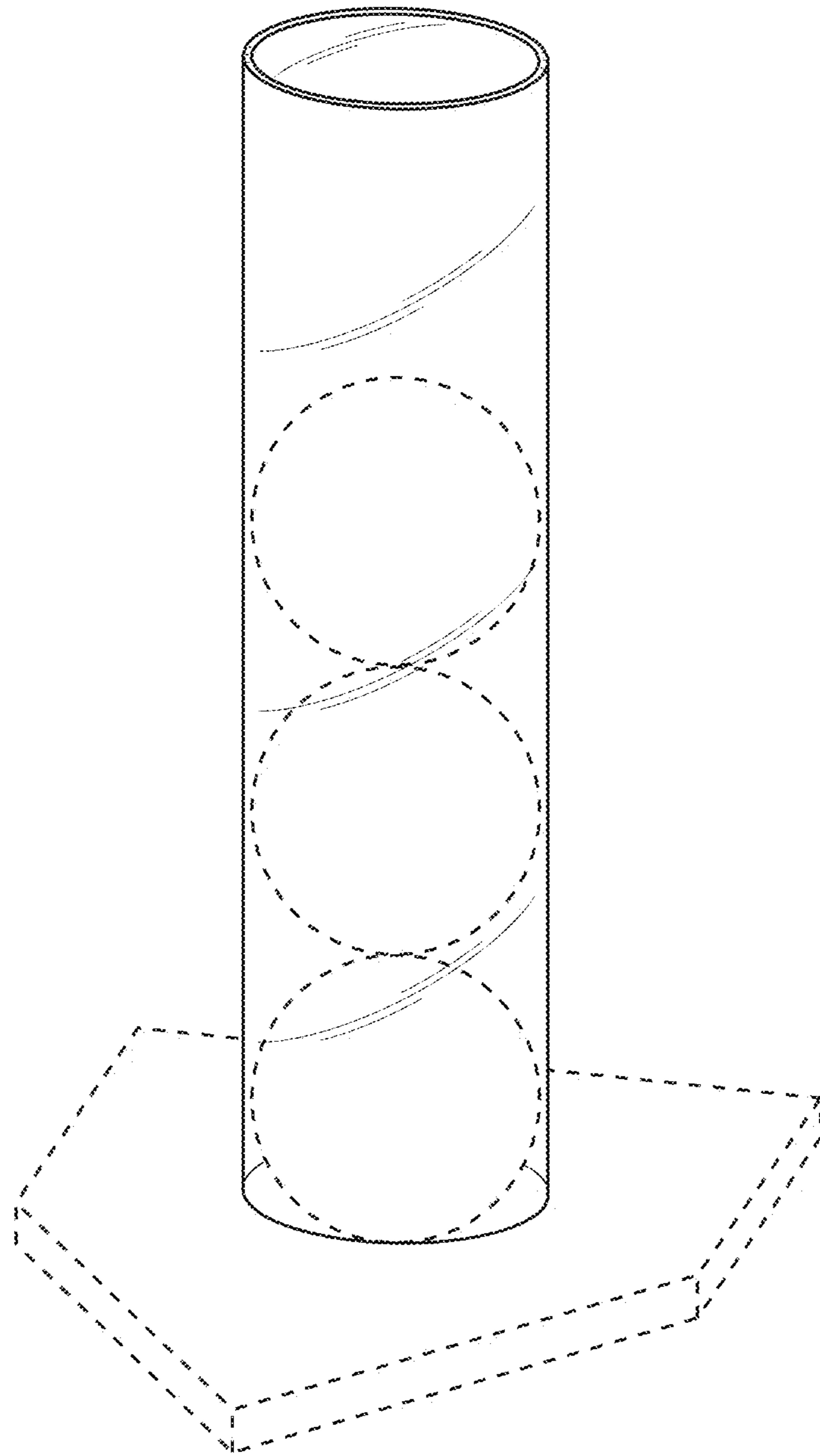


FIG. 41

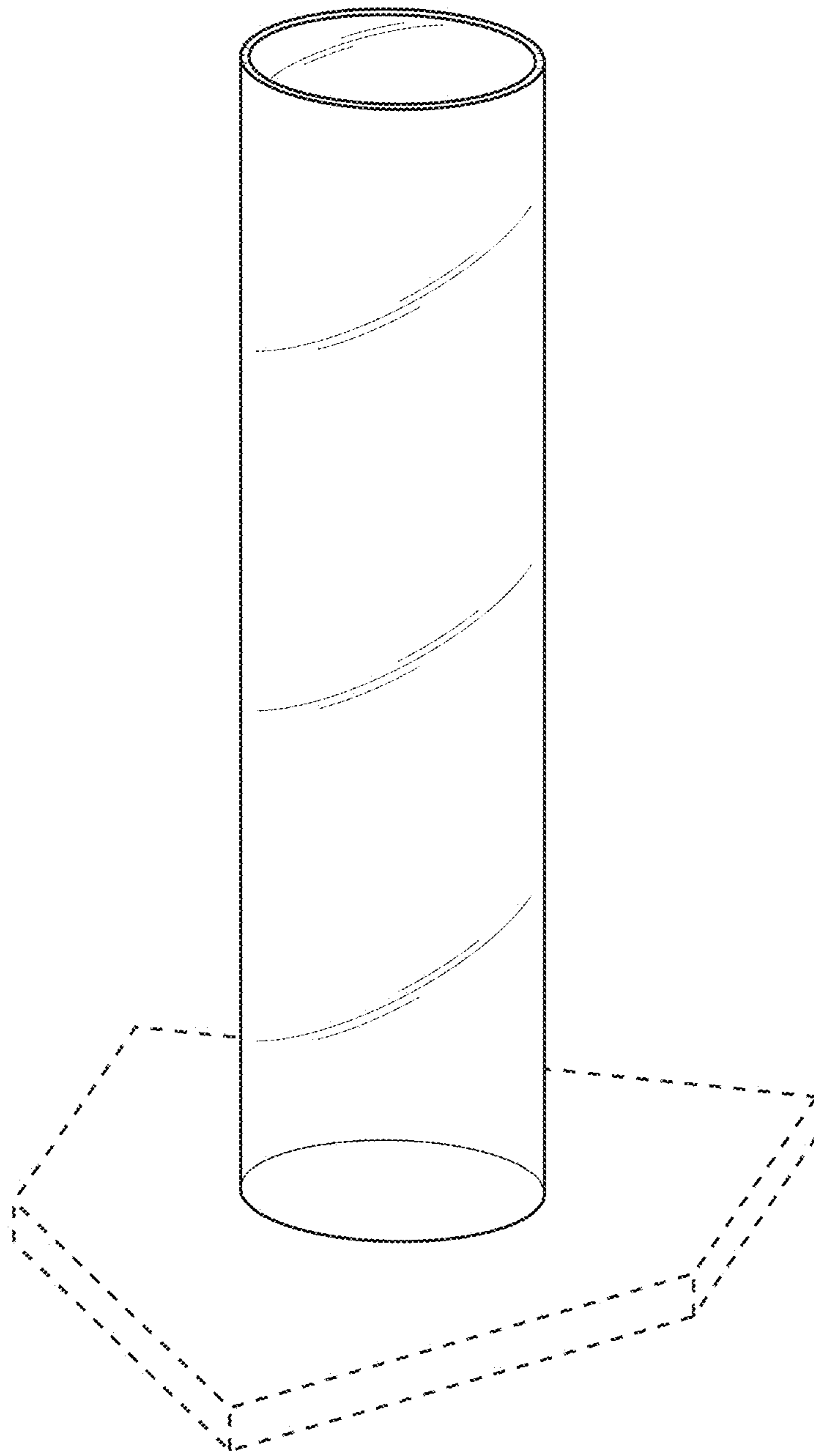


FIG. 42

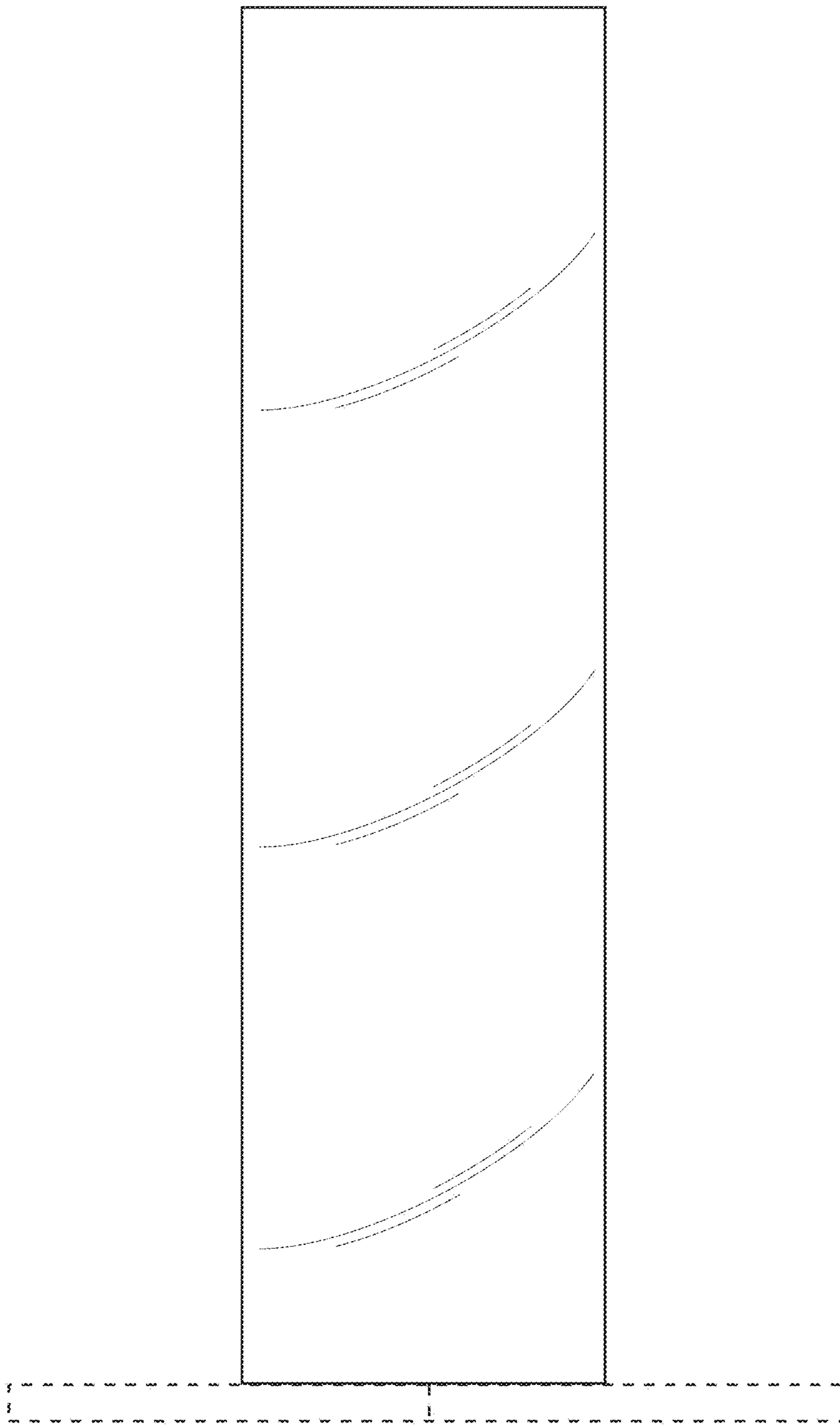


FIG. 43

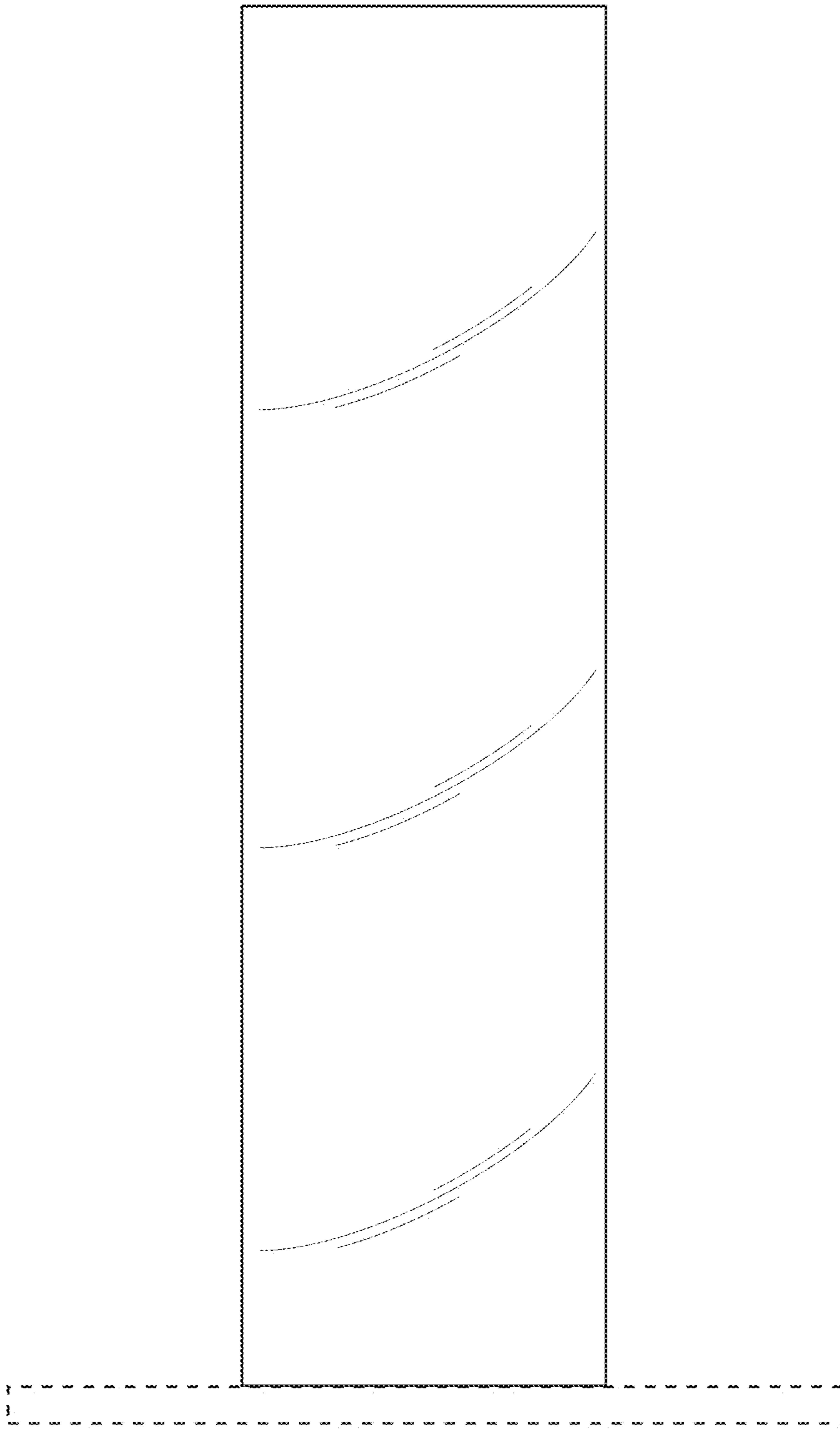


FIG. 44

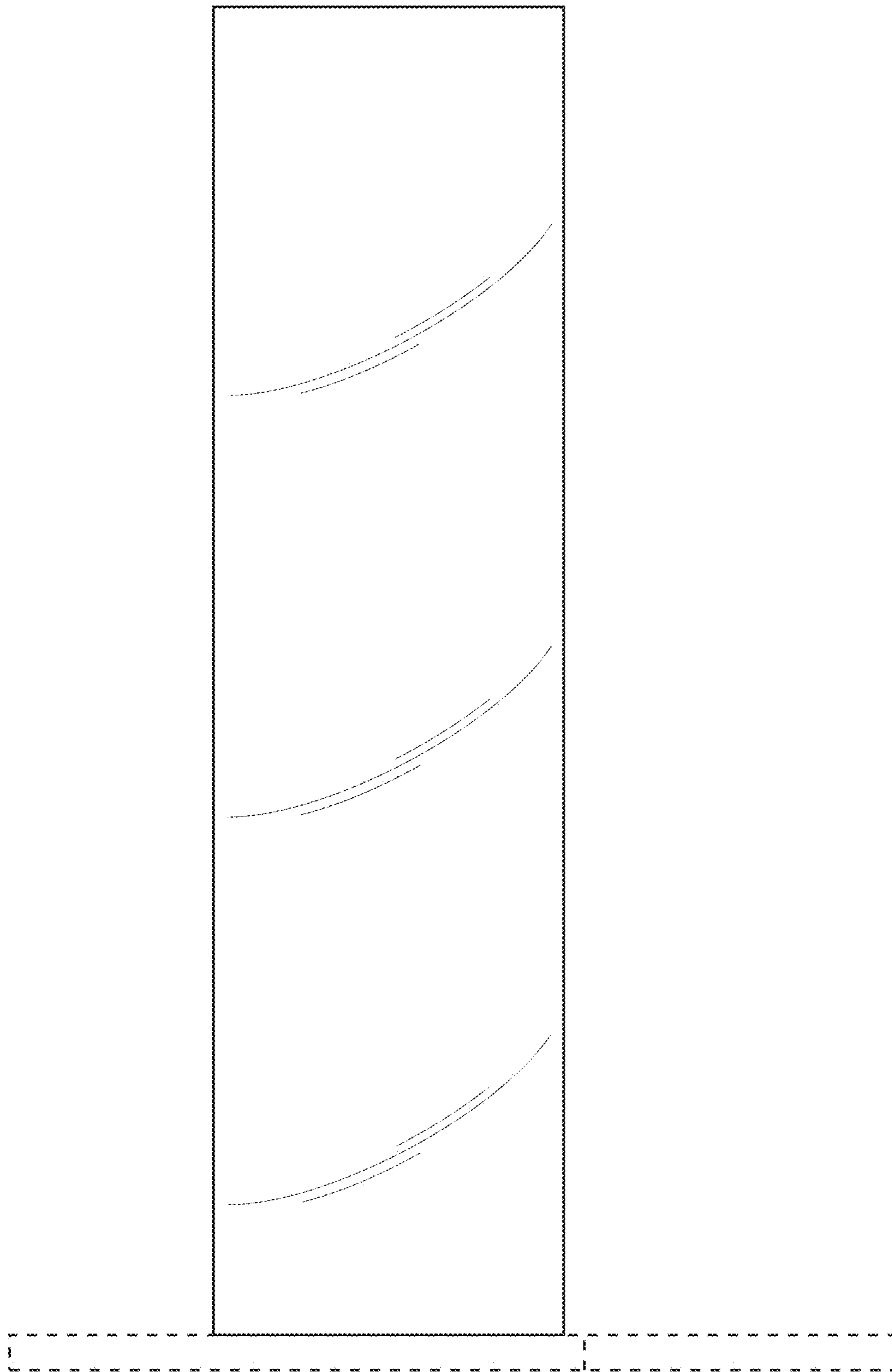


FIG. 45

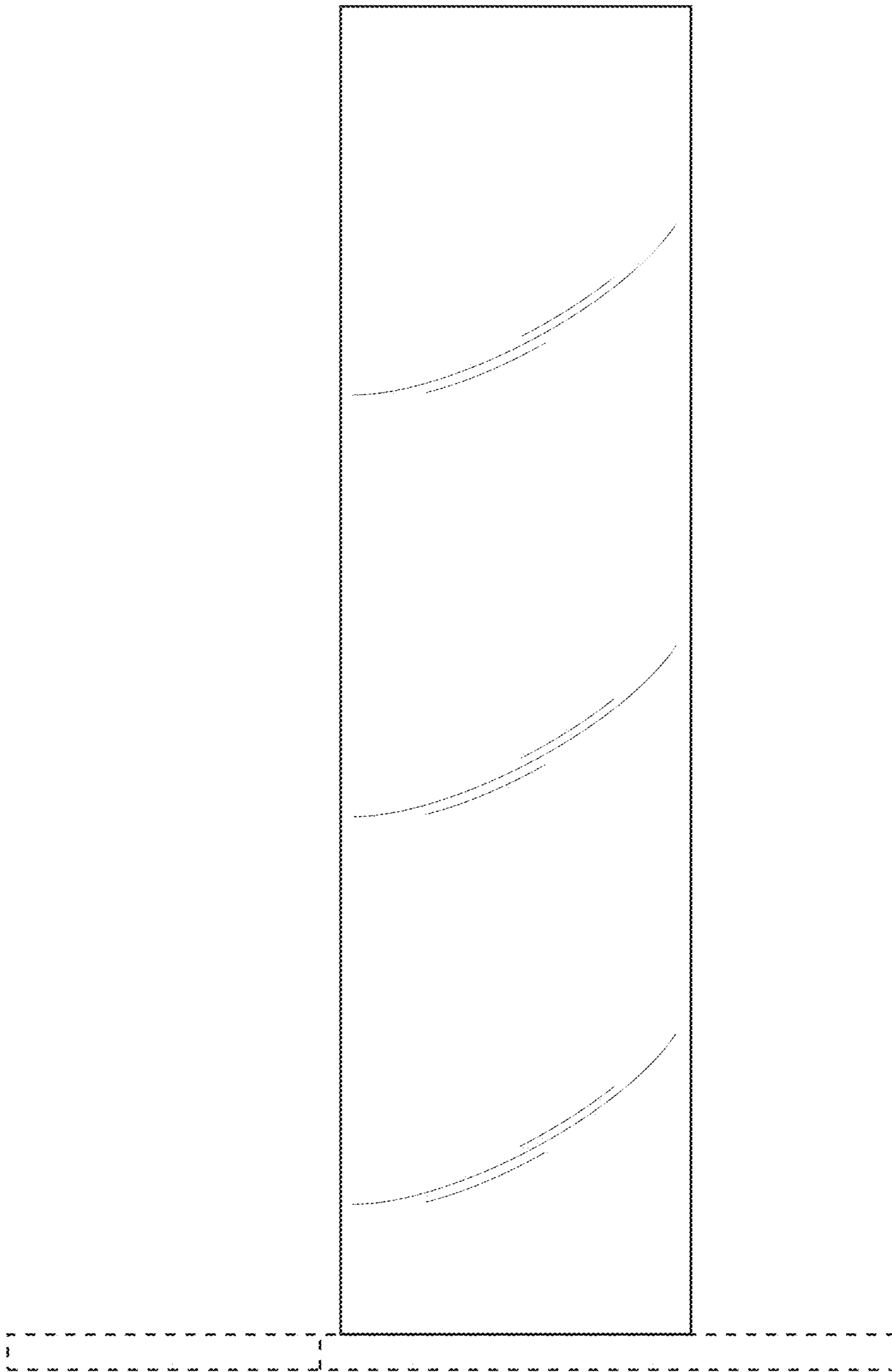


FIG. 46

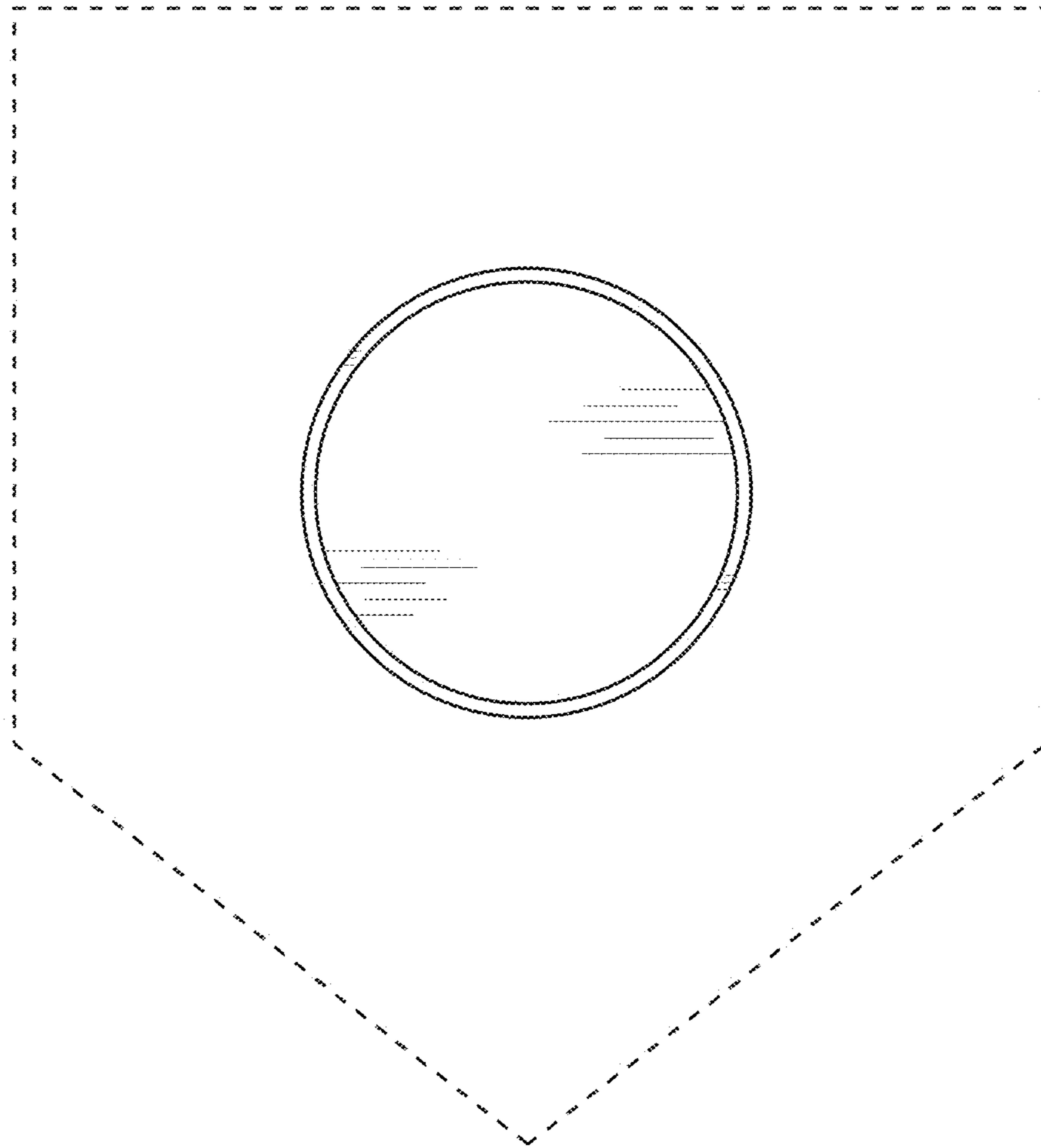


FIG. 47

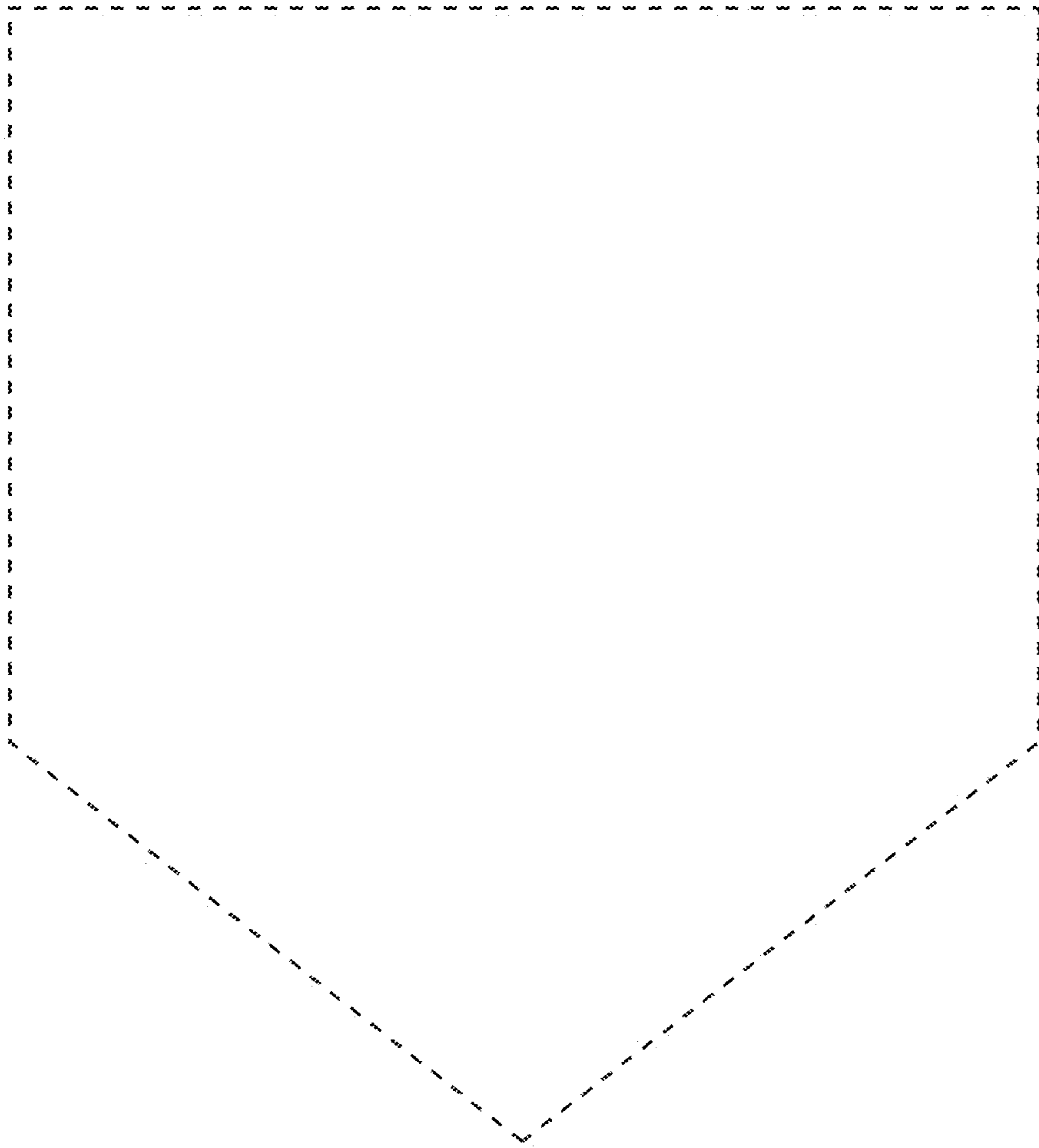


FIG. 48