

US00D744770S

(12) **United States Design Patent**
Middendorf et al.

(10) **Patent No.:** **US D744,770 S**
(45) **Date of Patent:** **** Dec. 8, 2015**

(54) **DECORATIVE DUAL-SIDED SHELVING**

(71) Applicants: **Mark Middendorf**, Batavia, IL (US);
Tim Truckenbrod, Downers Grove, IL (US); **Stacy Wendt**, Poplar Grove, IL (US); **Mike Groleau**, Aurora, IL (US); **Steven Duran**, Batavia, IL (US)

(72) Inventors: **Mark Middendorf**, Batavia, IL (US);
Tim Truckenbrod, Downers Grove, IL (US); **Stacy Wendt**, Poplar Grove, IL (US); **Mike Groleau**, Aurora, IL (US); **Steven Duran**, Batavia, IL (US)

(**) Term: **14 Years**

(21) Appl. No.: **29/489,375**

(22) Filed: **Apr. 29, 2014**

(51) **LOC (10) Cl.** **06-04**

(52) **U.S. Cl.**
USPC **D6/662.1**

(58) **Field of Classification Search**
USPC D6/657, 660, 662, 662.1, 672, 673, D6/675.1, 675.4, 671.1
CPC A47F 3/06; A47F 5/013; A47F 7/0014; A47F 7/14; A47F 17/04; A47F 45/00; A47F 47/00; A47F 96/04
See application file for complete search history.

(56) **References Cited**

U.S. PATENT DOCUMENTS

2,299,347 A	10/1942	Rifkin	
D135,336 S	3/1943	Grossberg	
D144,924 S	6/1946	Immoor	
2,975,909 A *	3/1961	Foster	A47B 96/04 312/313
D196,624 S *	10/1963	Gelles	D6/675.1
3,394,973 A	7/1968	Scott	
D228,110 S *	8/1973	Kerman	D6/675.4
D249,618 S *	9/1978	Oxenhandler	D6/675.1
D260,213 S	8/1981	Crespi	
D272,400 S *	1/1984	Persch	D6/675.4
D280,163 S *	8/1985	Leo, Sr.	D6/675.4
D302,083 S *	7/1989	Walter	D6/675.1

D319,934 S *	9/1991	Terrell	D6/675.1
D330,104 S *	10/1992	Ackley	D6/675.4
D332,015 S *	12/1992	Brunner	D6/675.1
D332,358 S *	1/1993	Sullivan	D6/660
D343,534 S *	1/1994	Holsapple	D6/662.1
D361,680 S *	8/1995	Palsson	D6/675.4
D364,758 S	12/1995	Newhouse et al.	
D393,963 S *	5/1998	Mansour	D6/662
D406,476 S	3/1999	Boije	
D406,707 S *	3/1999	Battaglia	D6/675.4
D411,059 S *	6/1999	Wolansky	D6/662.1
5,918,432 A *	7/1999	Mahone	A47B 47/00 52/220.2
D418,341 S	1/2000	Carville et al.	
D465,103 S	11/2002	Cain	
D469,272 S	1/2003	Werner	
6,715,623 B2	4/2004	Broerman	
D499,577 S *	12/2004	Willy	D6/662.1
D509,679 S	9/2005	Katz et al.	
D525,455 S *	7/2006	O'Reilly	D6/662.1
D537,655 S *	3/2007	Hessell	D6/675.1

(Continued)

Primary Examiner — Mimoso De

(74) Attorney, Agent, or Firm — Vincent Re PLLC

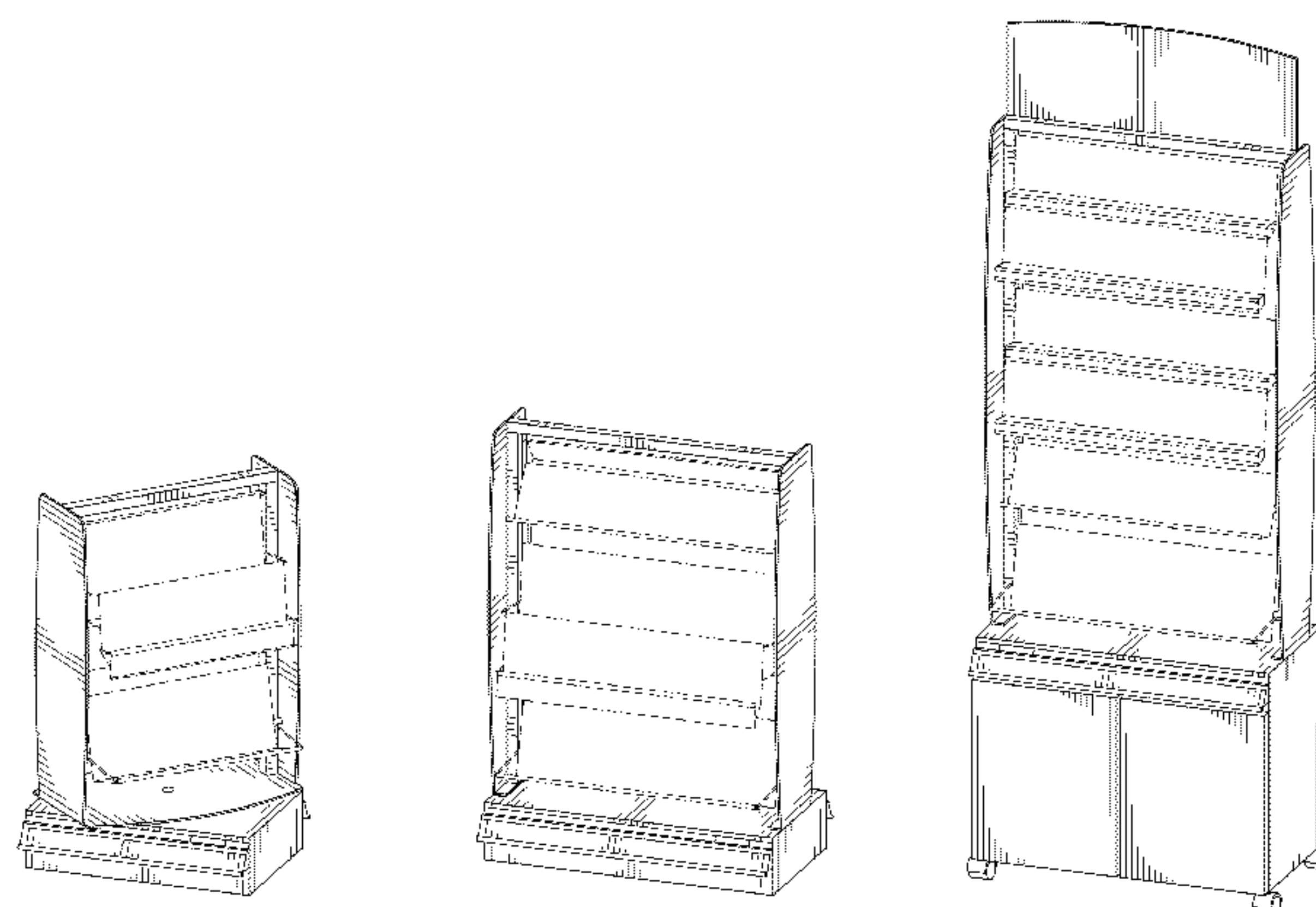
(57) **CLAIM**

The ornamental design for decorative dual-sided shelving, as shown and described.

DESCRIPTION

FIG. 1 illustrates three exemplary embodiments of decorative dual-sided shelving with squared-oval side supports, in accordance with the present disclosure; FIG. 2 illustrates in side view the three embodiments of FIG. 1 including adjustable shelving visible on both sides of the embodiments; FIG. 3 illustrates one of the embodiments of FIG. 1 where the shelving is rotated in relation to a base section; and, FIG. 4 illustrates one of the embodiments of FIG. 1 where a door in a base section of the shelving is opened. Dotted lines shown in the accompanying drawings are intended to illustrate environmental features not intended to be a part of the claimed drawings in the figures in which they appear.

1 Claim, 3 Drawing Sheets



US D744,770 S

Page 2

(56)

References Cited

U.S. PATENT DOCUMENTS

D554,889 S 11/2007 Thompson
D598,220 S * 8/2009 Sparkowski D6/675.2
D635,801 S * 4/2011 Stubis D6/675.1

D655,108 S * 3/2012 Majrani D6/675.1
D657,591 S * 4/2012 Sanchez D6/675.1
D674,214 S 1/2013 van Thiel
D689,715 S * 9/2013 Wong D6/675.1

* cited by examiner

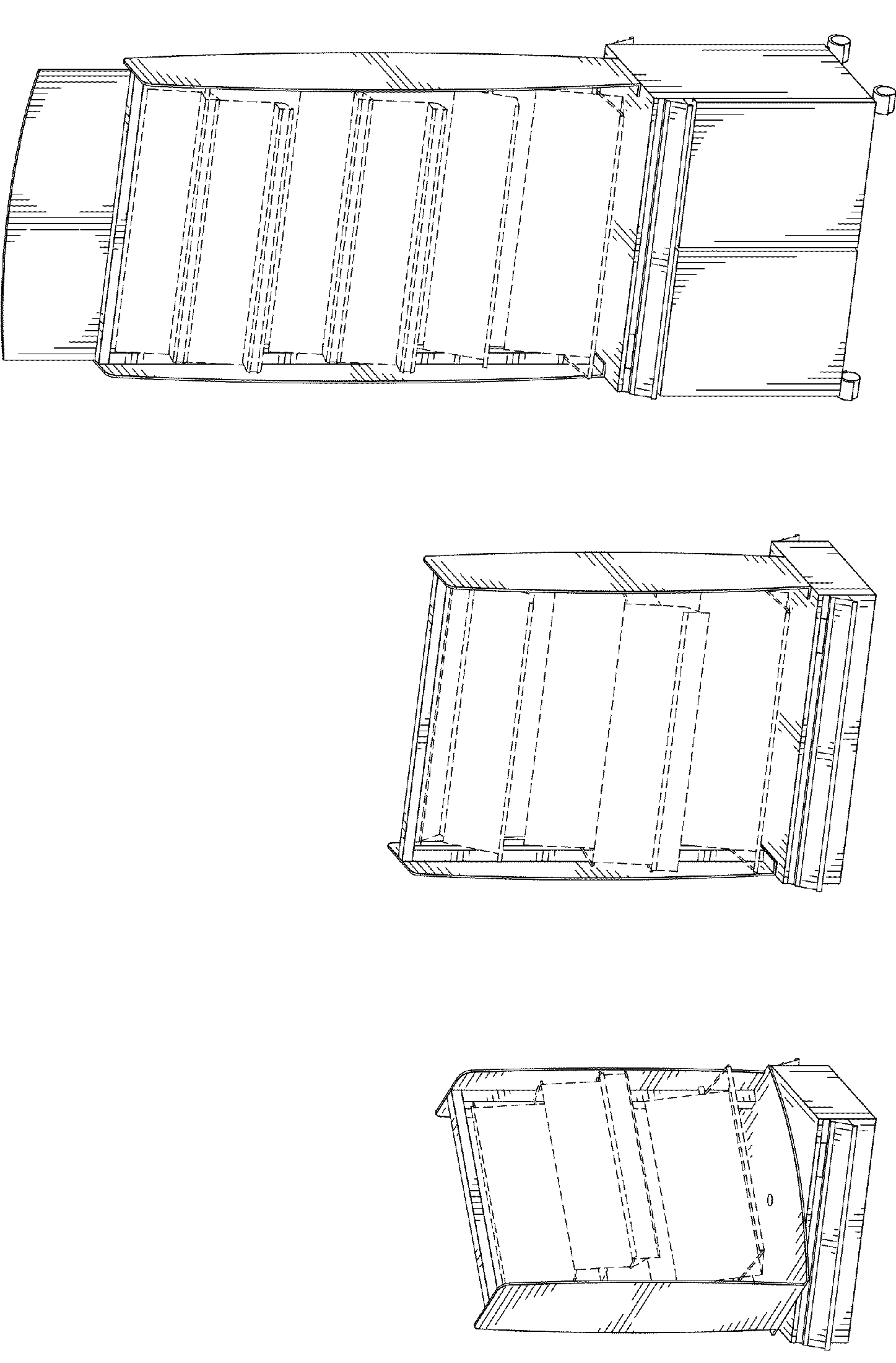


FIG. 1

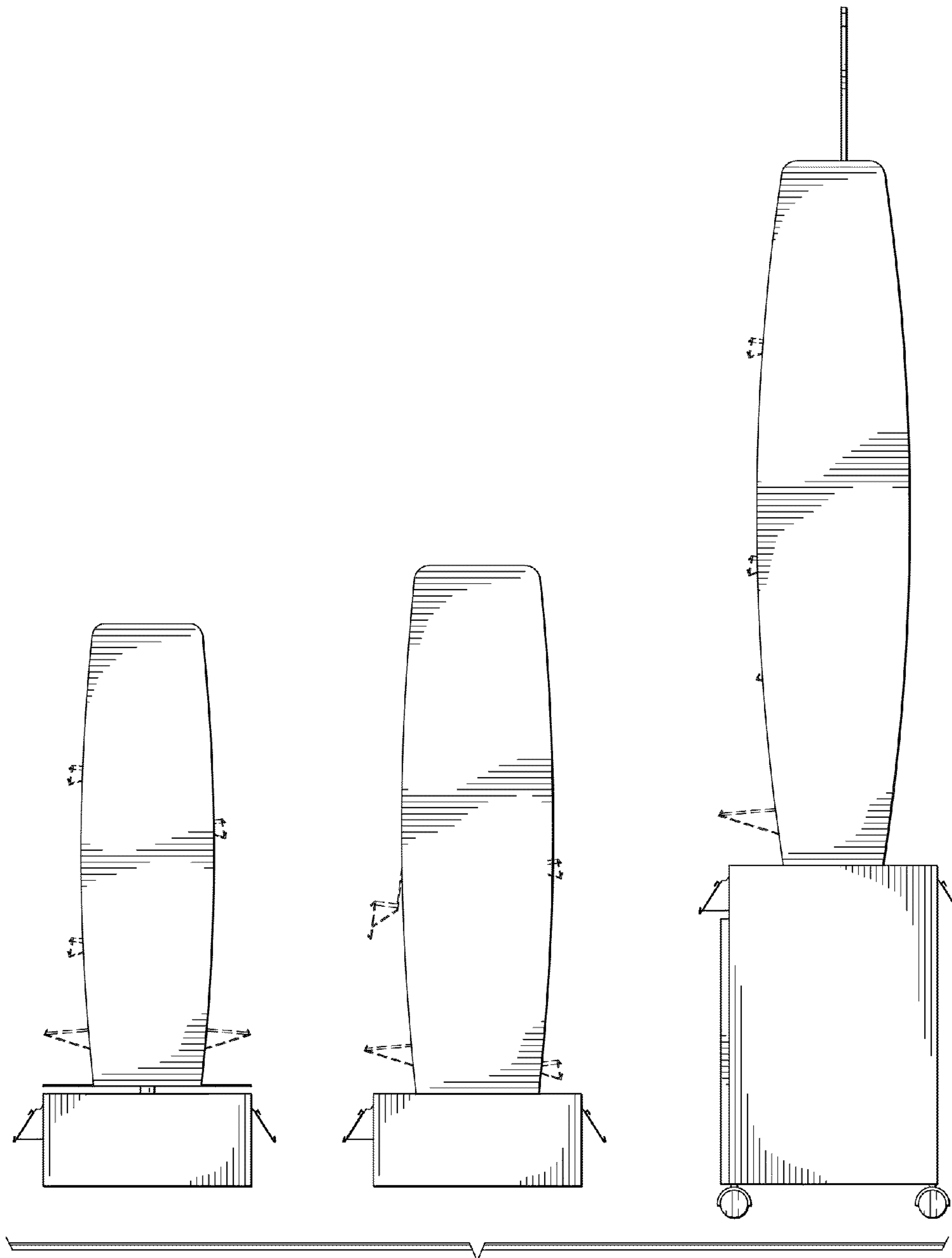


FIG. 2

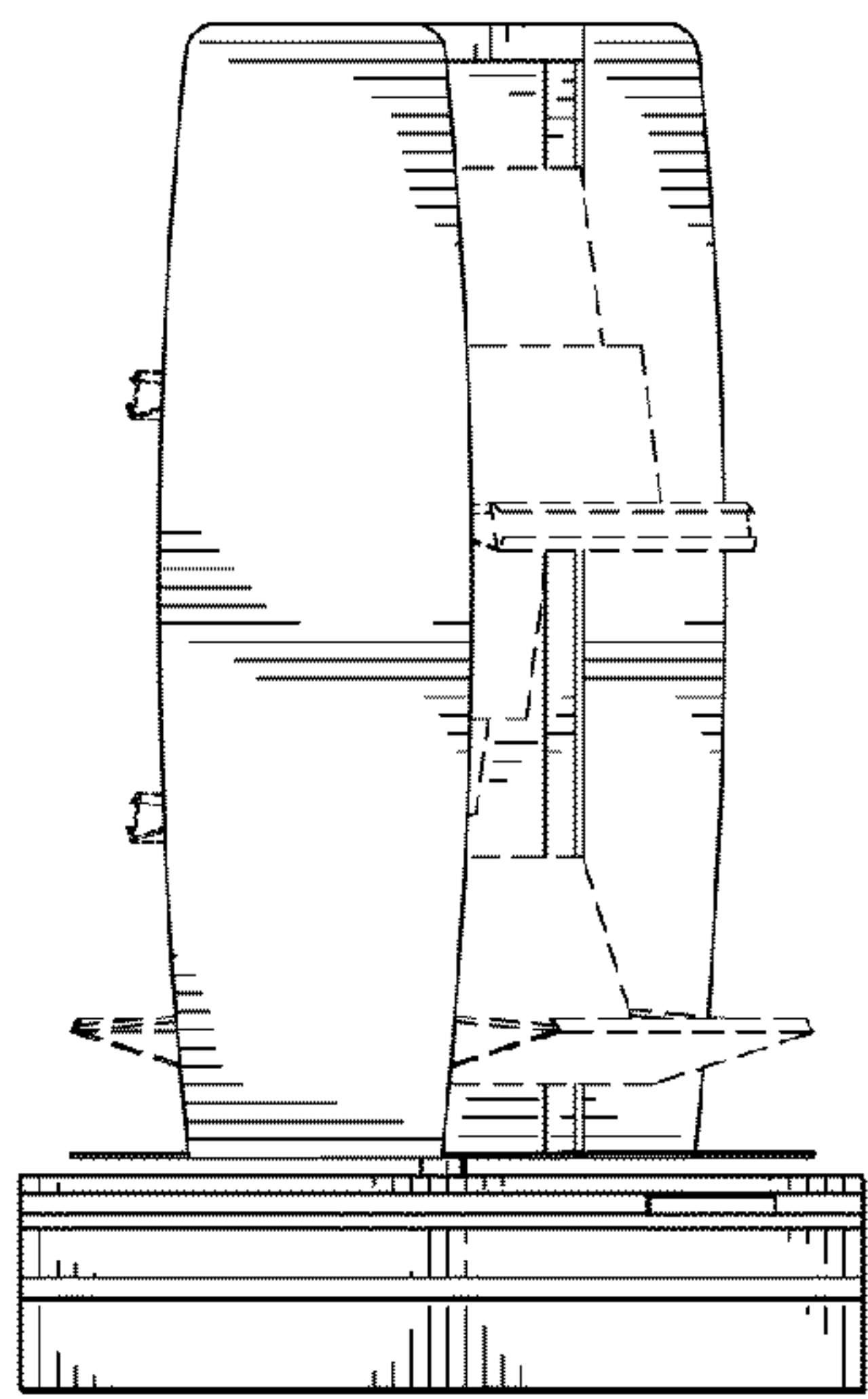


FIG. 3

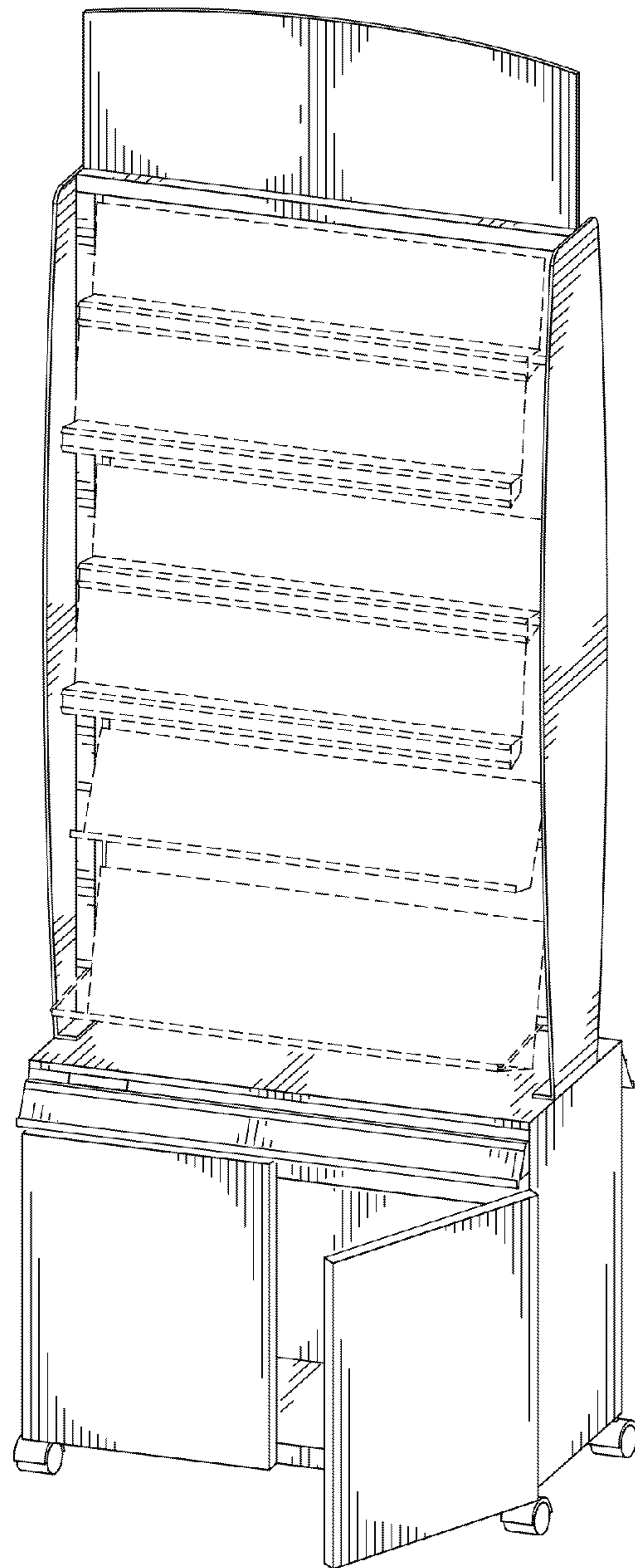


FIG. 4