



US00D744769S

(12) **United States Design Patent**  
**Ferrarese**

(10) **Patent No.:** **US D744,769 S**  
(45) **Date of Patent:** **\*\* Dec. 8, 2015**

(54) **COMBINED TABLE AND SUPPORT FOR A FAN AND/OR A NEBULIZER**

(71) Applicant: **ALBA s.r.l.**, Borgoricco (IT)

(72) Inventor: **Bruno Ferrarese**, Vigonza (IT)

(73) Assignee: **ALBA S.R.L.**, Borgoricco (PD) (IT)

(\*\*) Term: **14 Years**

(21) Appl. No.: **29/489,687**

(22) Filed: **May 2, 2014**

(51) **LOC (10) Cl.** ..... **06-04**

(52) **U.S. Cl.**  
USPC ..... **D6/662**

(58) **Field of Classification Search**  
USPC ..... D6/657, 661.3, 662, 662.1, 663, 664,  
D6/667, 668, 668.1, 668.2  
CPC ..... A47F 3/00; A47F 3/005; A47B 17/04;  
A47B 67/005; A47B 47/03; A47B 67/00  
See application file for complete search history.

(56) **References Cited**

U.S. PATENT DOCUMENTS

D44,468 S *	8/1913	Conrad	.....	D6/662
D192,689 S *	5/1962	Hess	.....	D6/662
D295,812 S *	5/1988	Dyment et al.	.....	D6/661.3
D299,599 S *	1/1989	Everett et al.	.....	D6/662
D557,519 S *	12/2007	Strawbridge et al.	.....	D6/661.3
D557,940 S *	12/2007	Carlin et al.	.....	D6/661.3

\* cited by examiner

Primary Examiner — Mimoso De

(74) *Attorney, Agent, or Firm* — Novak Druce Connolly Bove + Quigg LLP

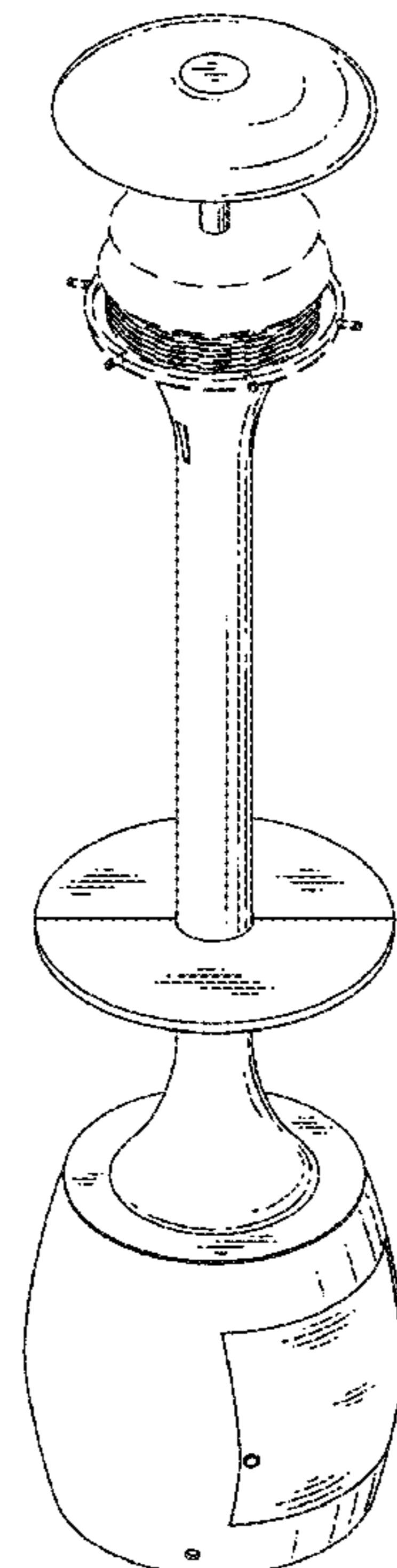
(57) **CLAIM**

The ornamental design for a combined table and support for a fan and/or a nebulizer, as shown and described.

**DESCRIPTION**

FIG. 1 is a perspective view of a combined table and support for a fan and/or a nebulizer, taken from above;  
FIG. 2 is a frontal view of the combined table and support for the fan and/or a nebulizer of FIG. 1;  
FIG. 3 is a left-side view of the combined table and support for a fan and/or a nebulizer of FIG. 1;  
FIG. 4 is a rear view of the combined table and support for a fan and/or a nebulizer of FIG. 1;  
FIG. 5 is a right-side view of the combined table and support for a fan and/or a nebulizer of FIG. 1;  
FIG. 6 is a top view of the combined table and support for a fan and/or a nebulizer of FIG. 1;  
FIG. 7 is a bottom view of the combined table and support for a fan and/or a nebulizer of FIG. 1; and,  
FIG. 8 is a perspective view of the combined table and support for a fan and/or a nebulizer, taken from the bottom.  
The broken lines show a fan and/or nebulizer portion of the combined table and support for a fan and/or a nebulizer for illustrative purposes only and form no part of the claimed design. The grill, shown between portions of the fan and/or nebulizer shown in broken lines, is shown for illustrative purposes only and forms no part of the claimed design.

**1 Claim, 8 Drawing Sheets**



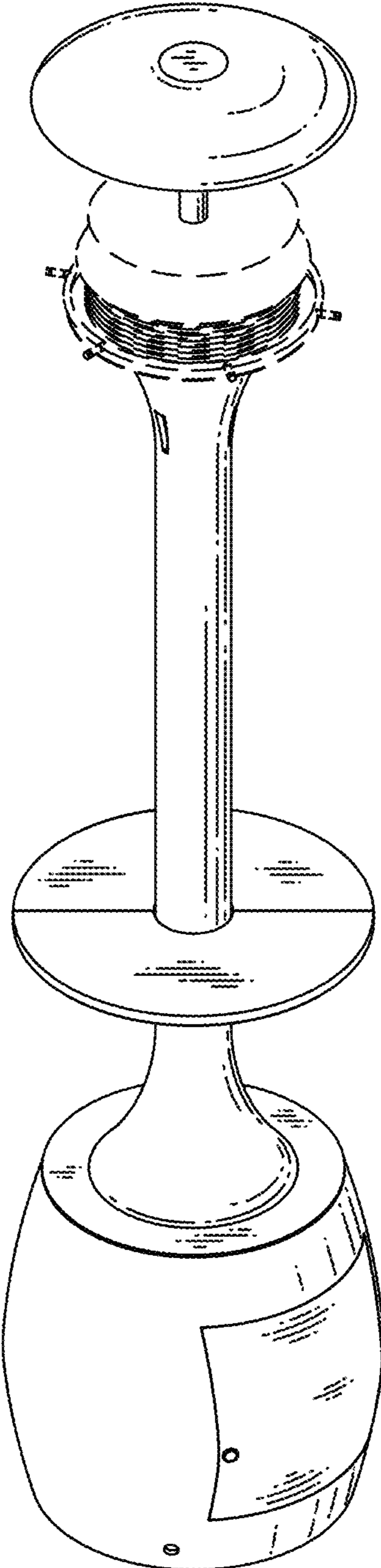


Fig. 1

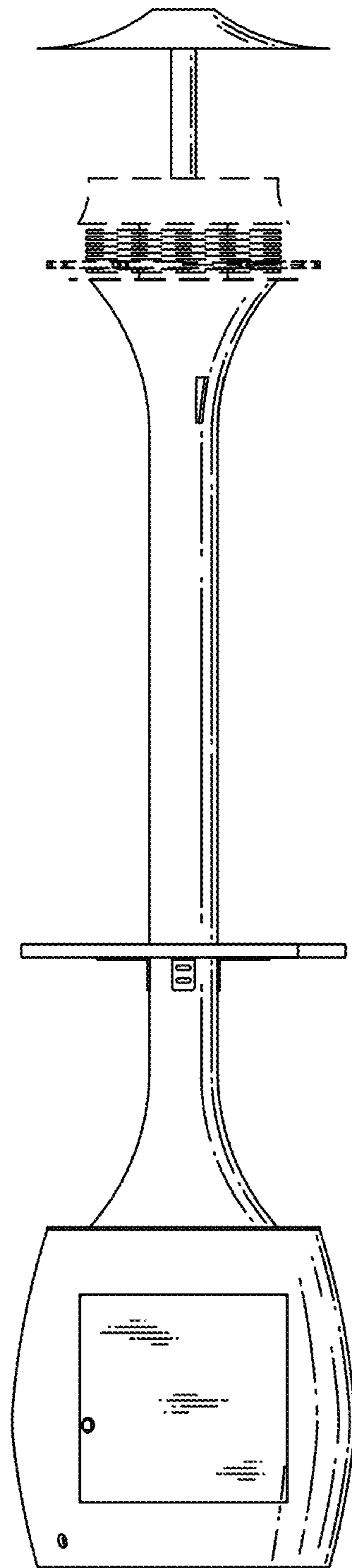


Fig. 2

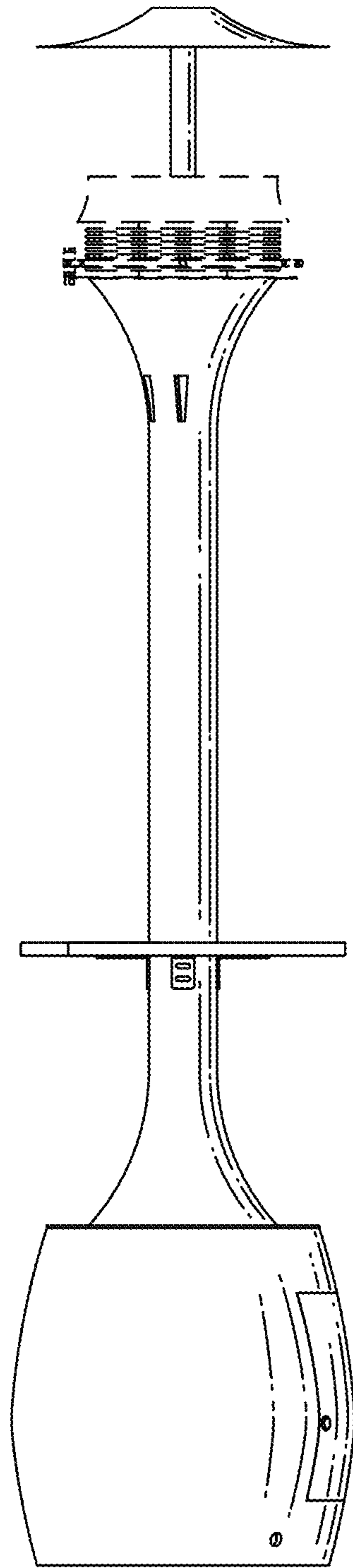


Fig. 3

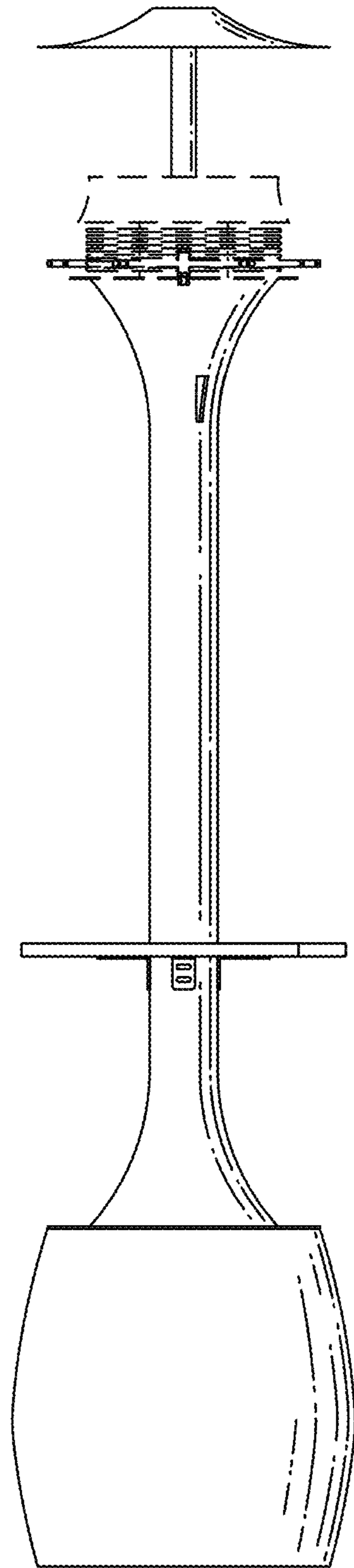


Fig. 4

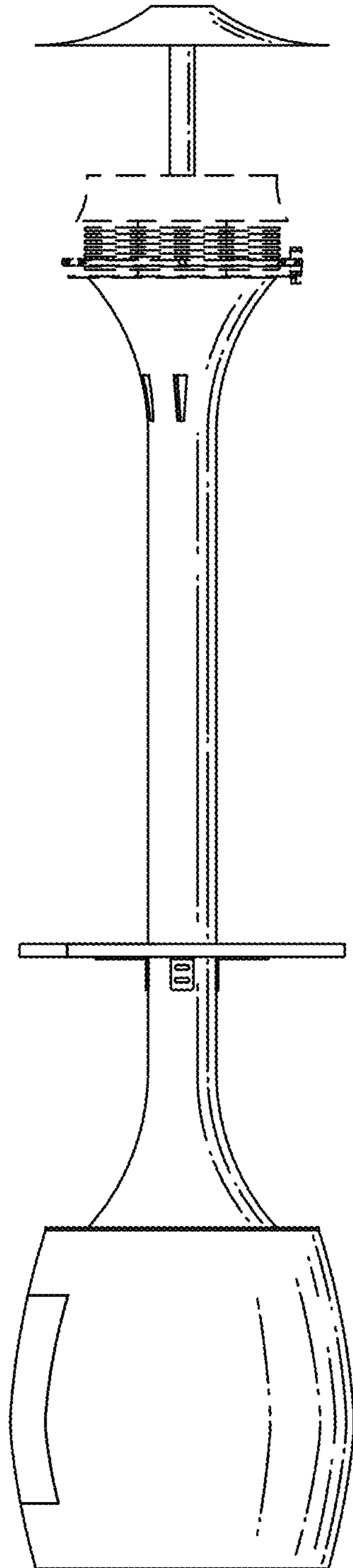


Fig. 5

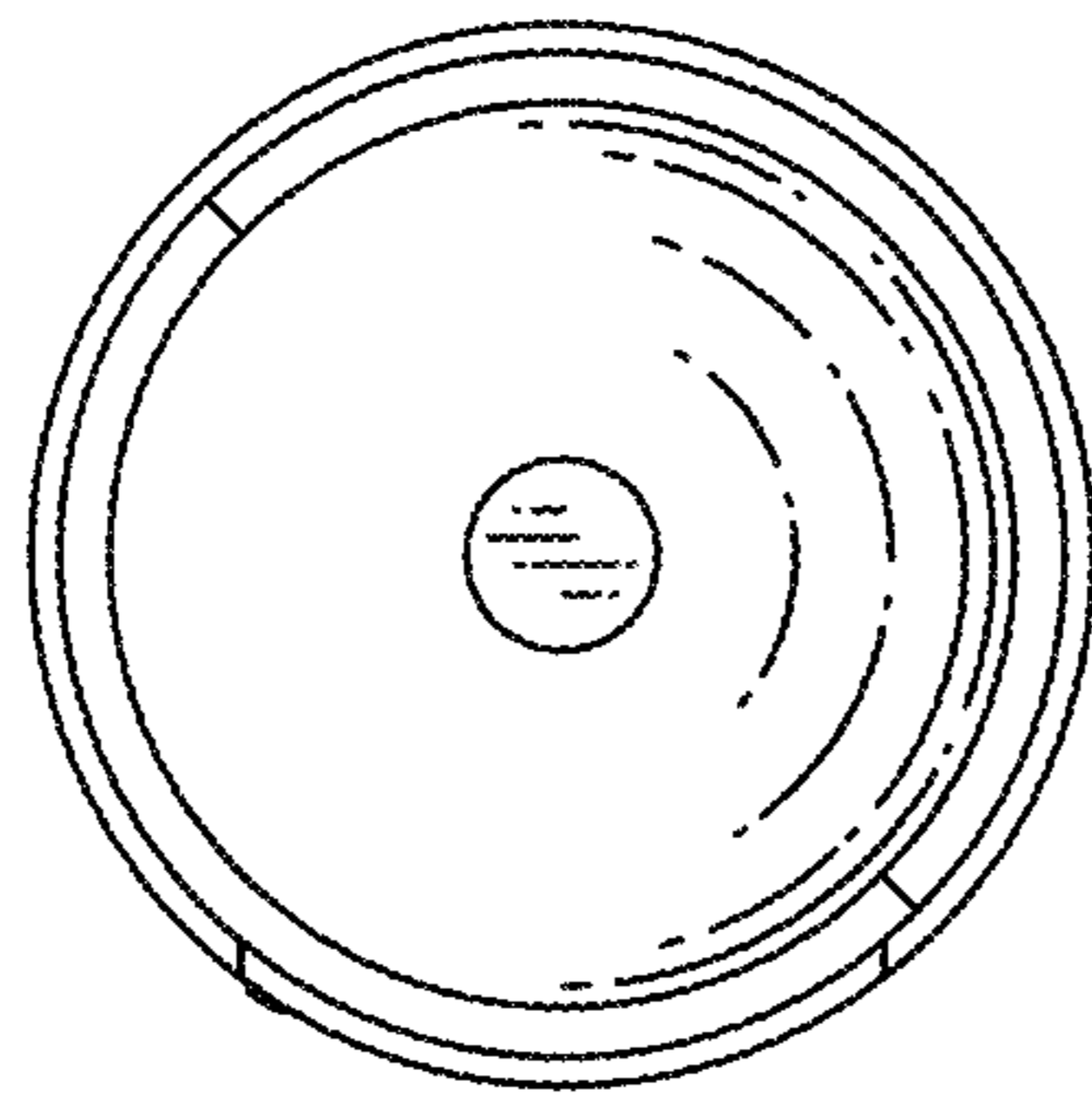


Fig. 6

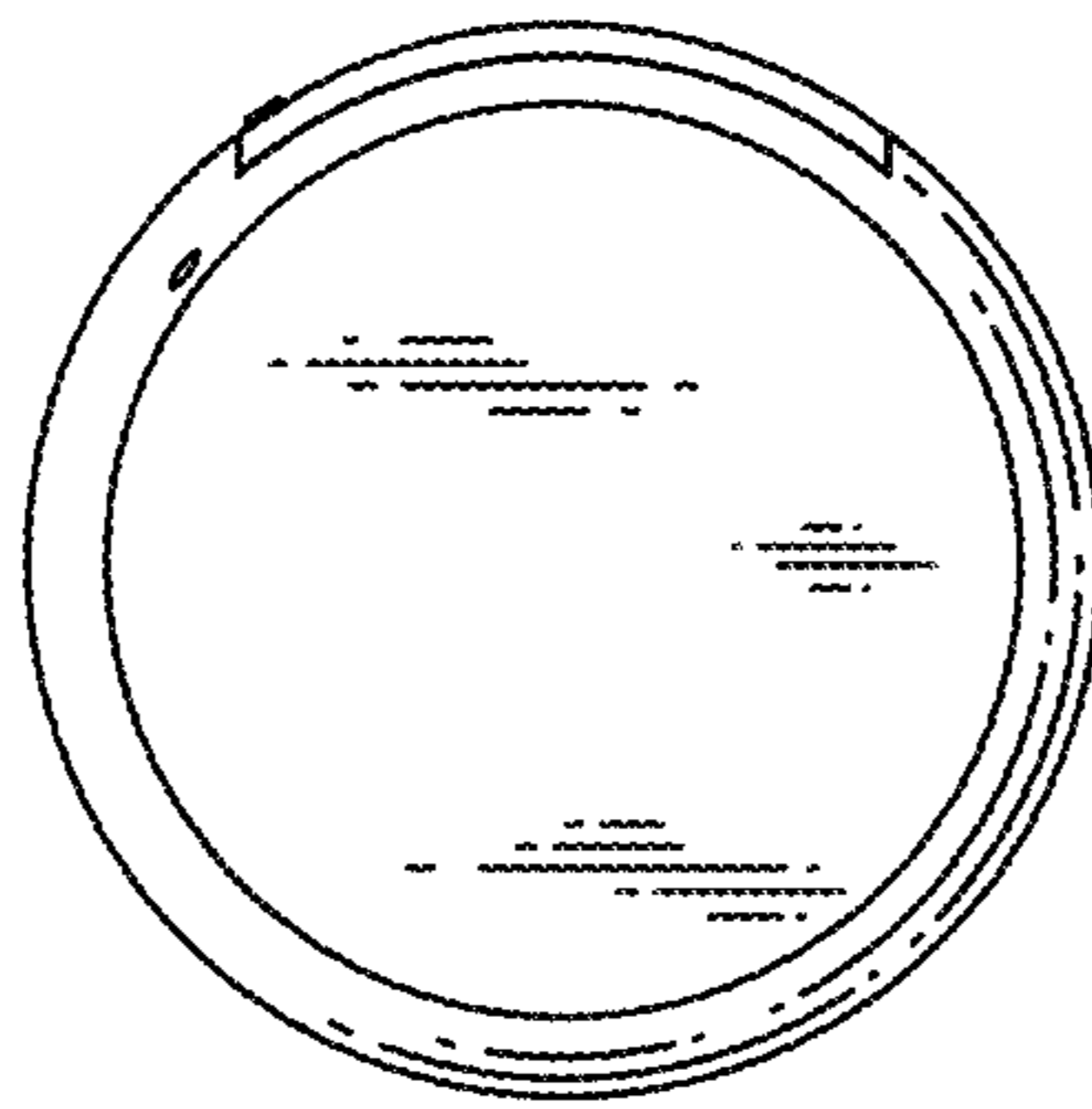


Fig. 7



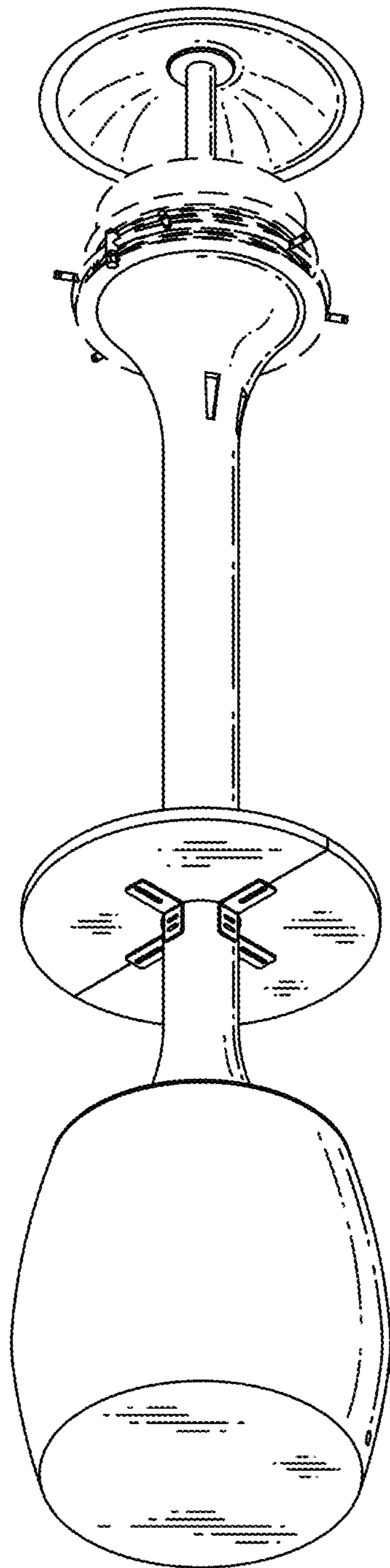


Fig. 8